



US00D684309S

(12) **United States Design Patent**
Neils

(10) **Patent No.:** **US D684,309 S**

(45) **Date of Patent:** **** *Jun. 11, 2013**

(54) **PORTABLE GENERATOR POWERED LIGHT STAND**

(76) Inventor: **James L. Neils**, Hauser, ID (US)

(*) Notice: This patent is subject to a terminal disclaimer.

(**) Term: **14 Years**

(21) Appl. No.: **29/263,032**

(22) Filed: **Jul. 17, 2006**

(51) **LOC (9) Cl.** **26-99**

(52) **U.S. Cl.**
USPC **D26/138**

(58) **Field of Classification Search**
USPC D26/138, 113, 118, 93, 119, 142,
D26/140, 141, 152, 153; 362/257, 269, 270,
362/294, 382, 389, 410
See application file for complete search history.

(56) **References Cited**

U.S. PATENT DOCUMENTS

4,692,844 A * 9/1987 Galerne 362/3
D293,030 S * 12/1987 Vladescu D26/107

5,034,868 A * 7/1991 Stelfox et al. 362/352
5,067,065 A * 11/1991 Dahlgren 362/369
5,461,554 A * 10/1995 Leonetti et al. 362/390
D428,186 S * 7/2000 Leen D26/138
D441,491 S * 5/2001 Leen D26/138

* cited by examiner

Primary Examiner — Freda S. Nunn

Assistant Examiner — Kevin K Rudzinski

(57) **CLAIM**

The ornamental design for portable generator powered light stand, as shown and described.

DESCRIPTION

FIG. 1 is an isometric view of the portable generator powered light stand showing my design. The broken line showing of a portable generator and pole light is for illustrative purposes only and forms no part of the claimed design.

FIG. 2 is a right side view thereof;

FIG. 3 is a left side view thereof;

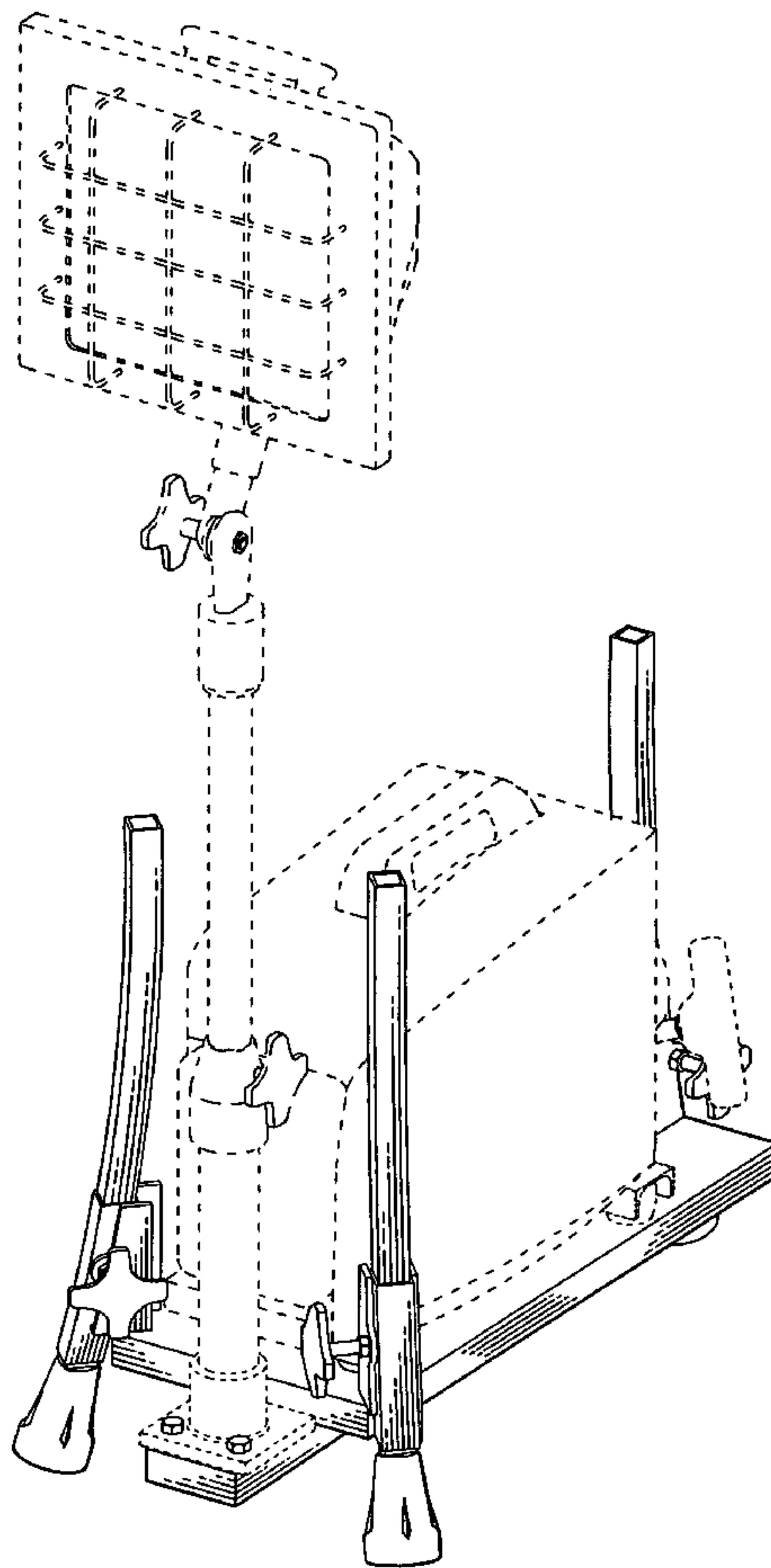
FIG. 4 is a front view thereof;

FIG. 5 is a rear view thereof;

FIG. 6 is a top view thereof; and,

FIG. 7 is a bottom view thereof.

1 Claim, 4 Drawing Sheets



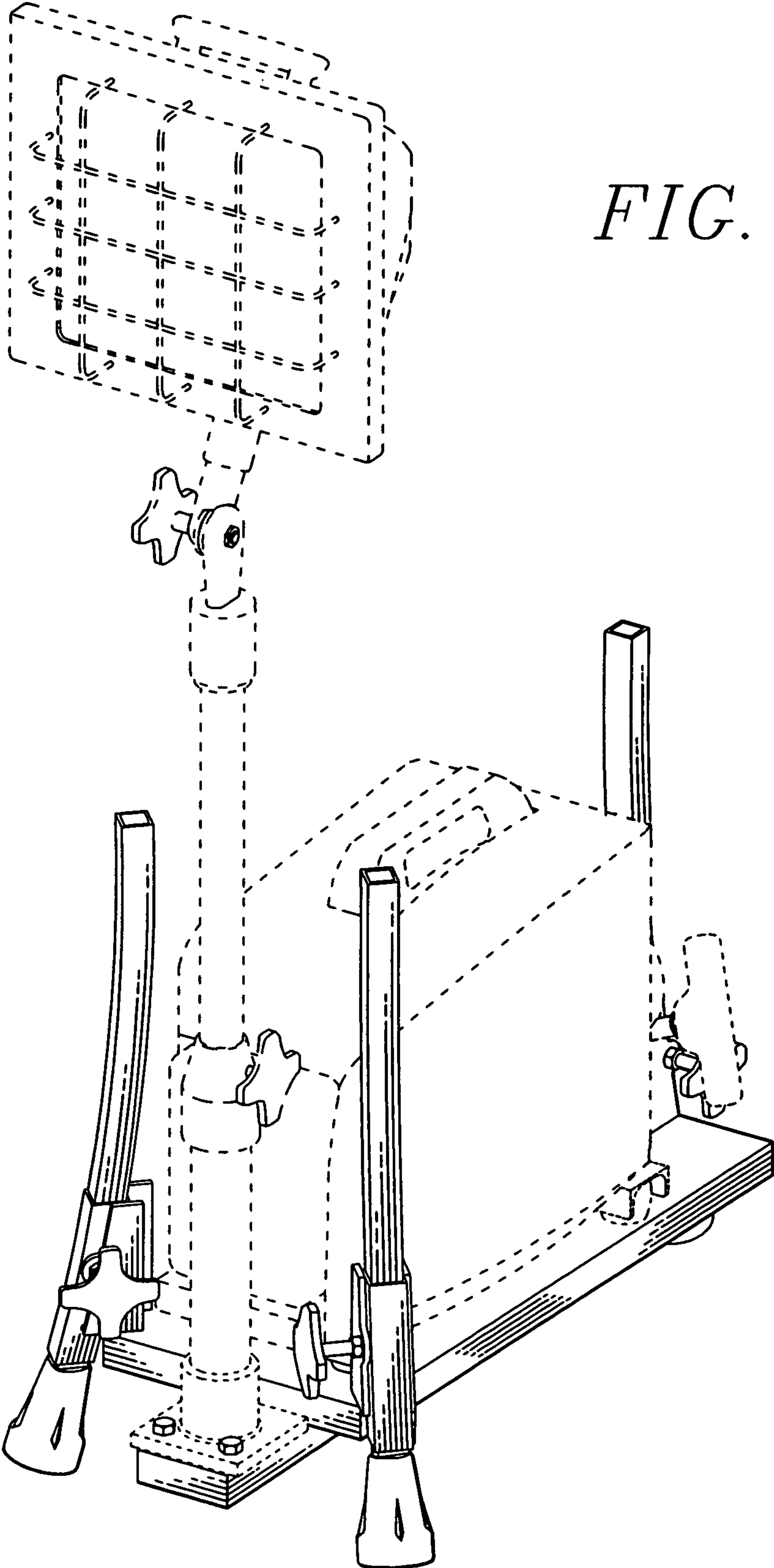
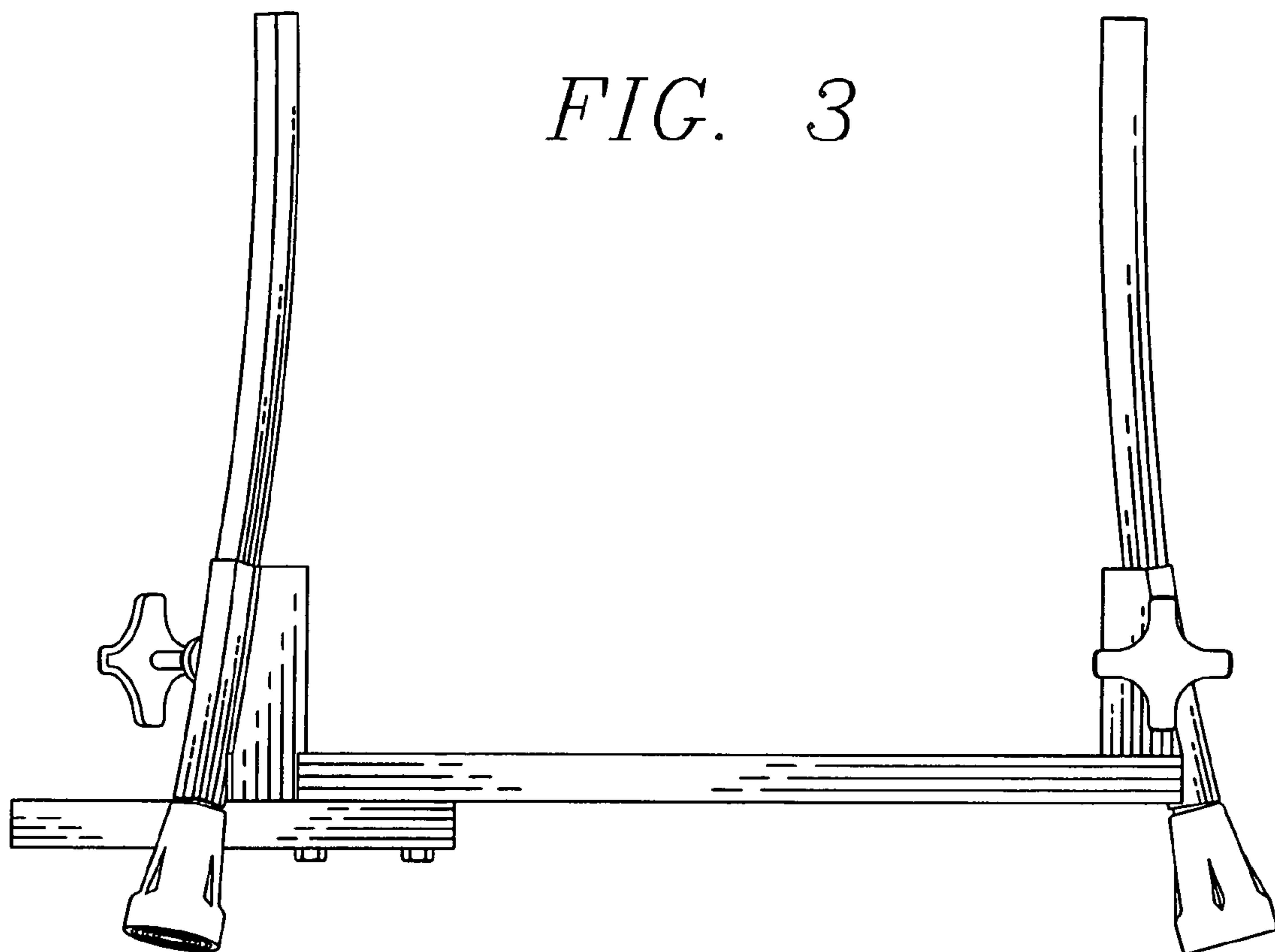
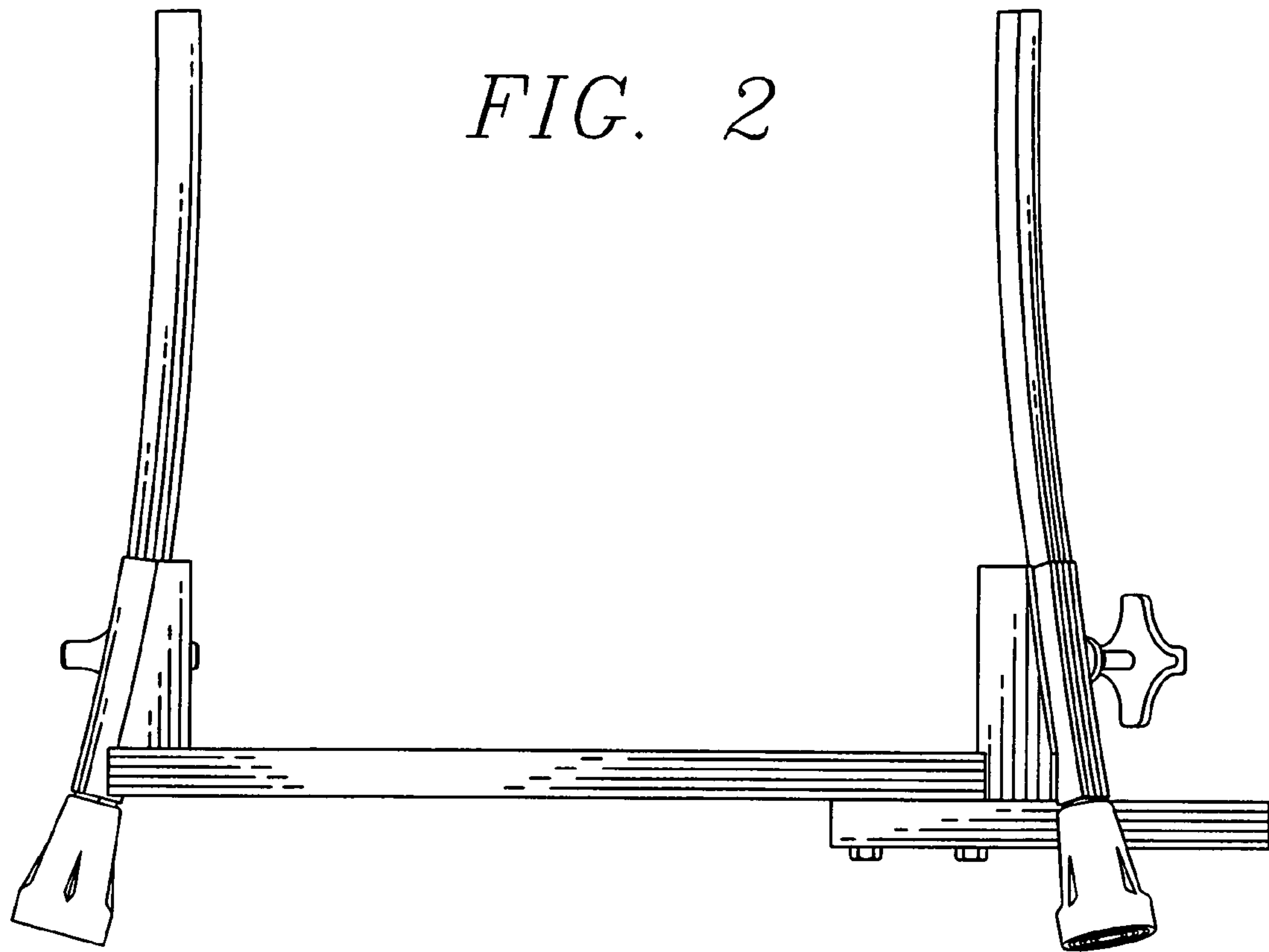


FIG. 1



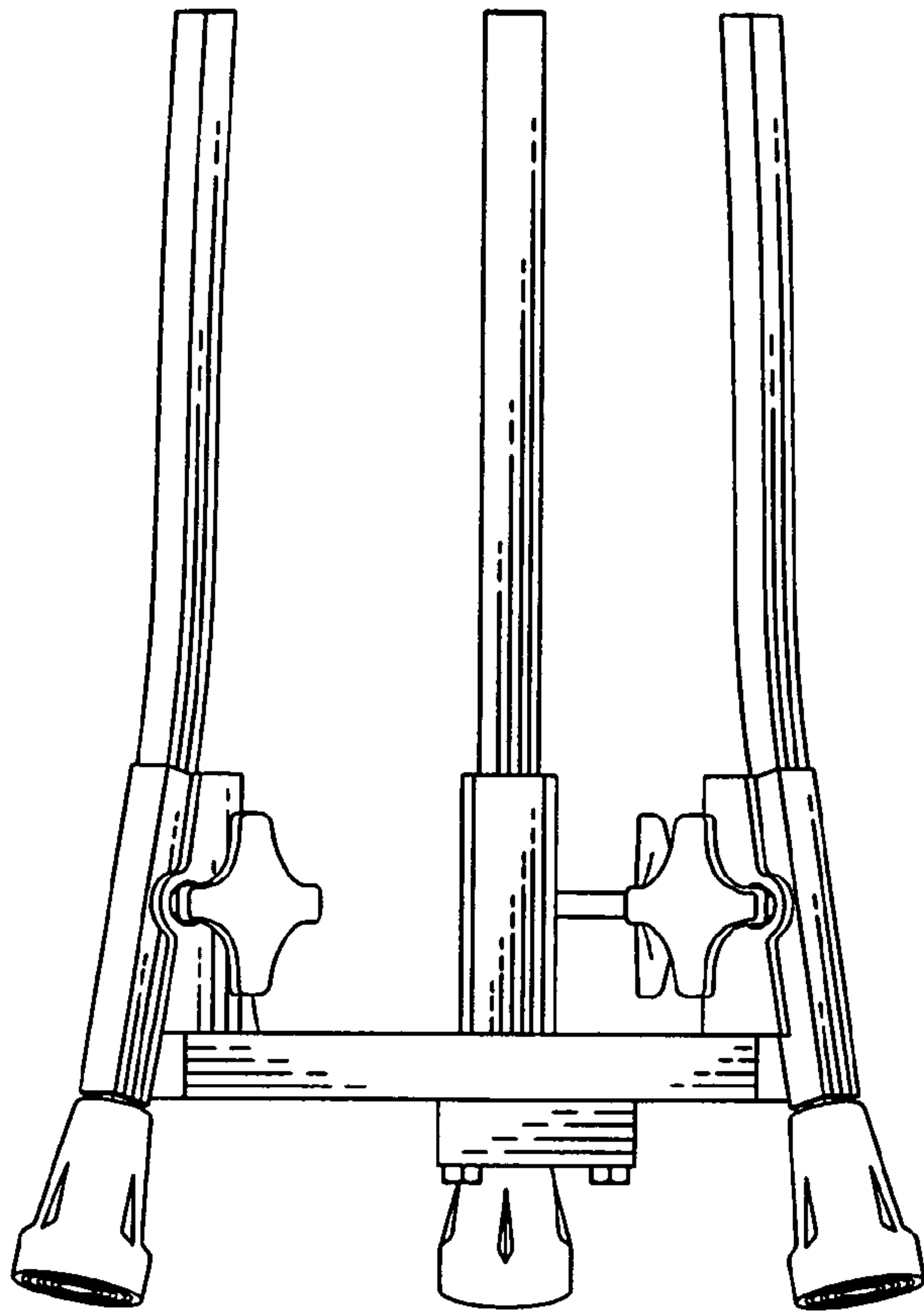


FIG. 4

FIG. 5

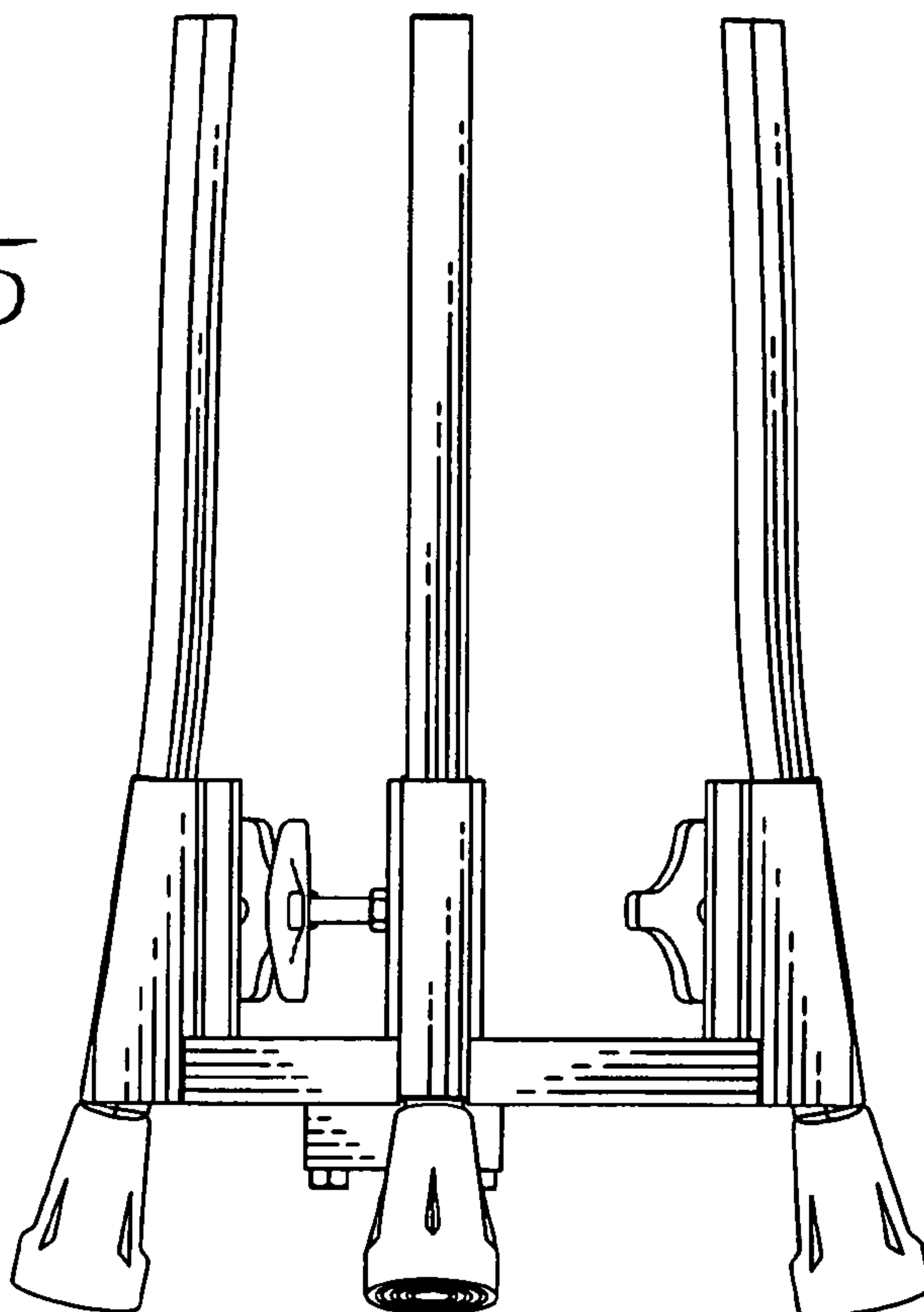


FIG. 6

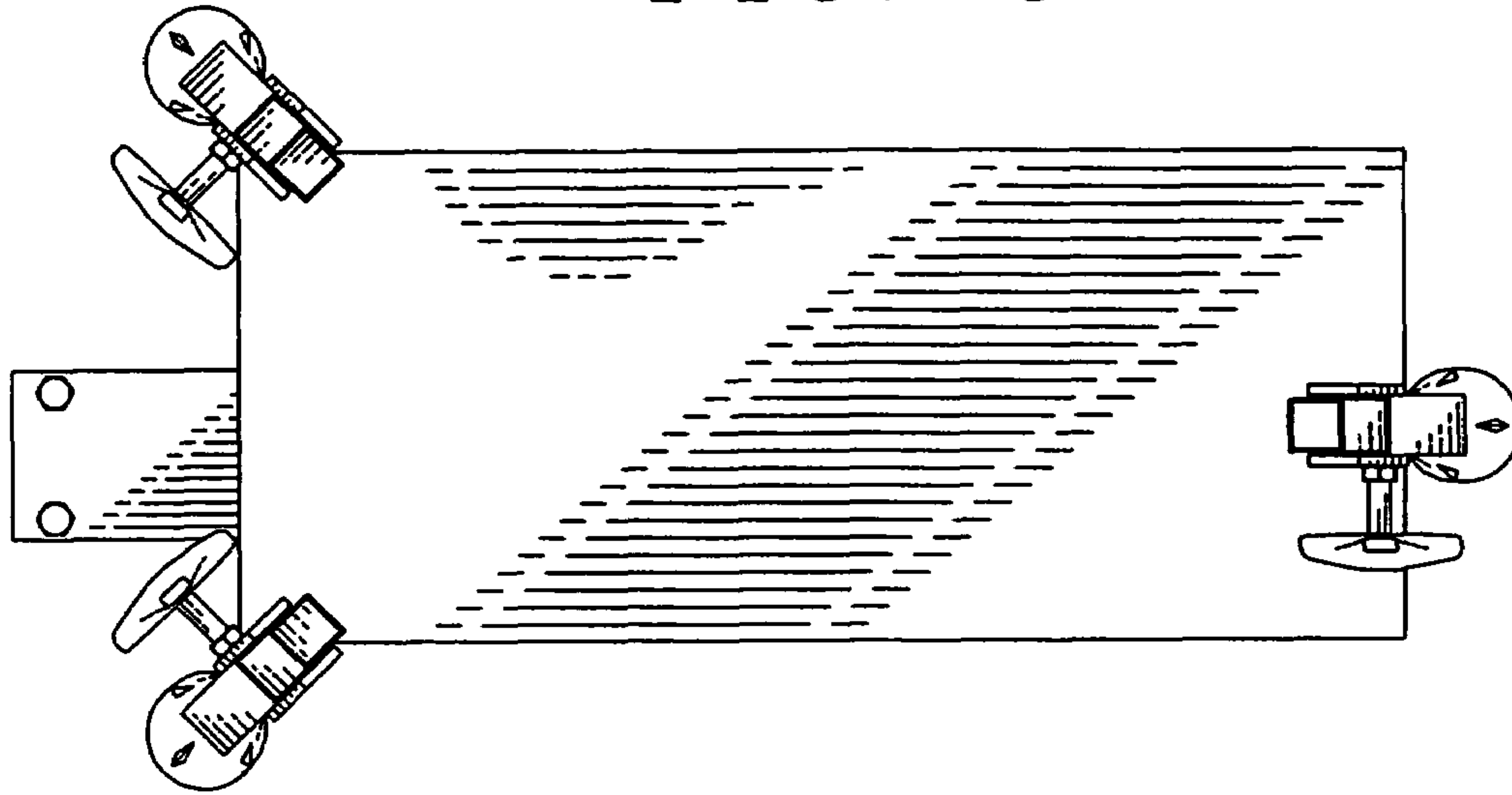


FIG. 7

