



US00D684308S

(12) **United States Design Patent**
Teller

(10) **Patent No.:** **US D684,308 S**

(45) **Date of Patent:** **** Jun. 11, 2013**

(54) **LIGHTING FIXTURE**

(71) Applicant: **Mitchell Teller**, Brooklyn, NY (US)

(72) Inventor: **Mitchell Teller**, Brooklyn, NY (US)

(**) Term: **14 Years**

(21) Appl. No.: **29/437,452**

(22) Filed: **Nov. 16, 2012**

(51) **LOC (9) Cl.** **26-99**

(52) **U.S. Cl.**
USPC **D26/118**

(58) **Field of Classification Search**
USPC D26/118, 113, 119, 120, 128, 145,
D26/76, 75, 148, 146, 138, 155, 154, 68,
D26/69, 147, 135, 136, 137, 121, 122, 123,
D26/132, 134, 141, 142, 143, 144, 62, 65,
D26/125, 126, 129, 131, 149, 150, 152, 153,
D26/1, 2, 3, 63, 64, 66, 67, 71, 85, 86, 88,
D26/72, 73, 89, 26, 83, 93, 130, 133, 104,
D26/102; 362/241, 249.01-249.12, 294,
362/362, 326, 373, 372; D13/179, 180
See application file for complete search history.

(56) **References Cited**

U.S. PATENT DOCUMENTS

D264,136 S *	4/1982	Castiglioni	D26/85
D346,239 S *	4/1994	Vamberszky et al.	D26/118
D430,331 S *	8/2000	Bleisch	D26/91
D436,219 S *	1/2001	Mas Tortosa	D26/152
D459,525 S *	6/2002	Barry	D26/88
D465,872 S *	11/2002	Cacaci	D26/90
D547,483 S *	7/2007	Pickett	D26/89
D558,912 S *	1/2008	Crosby	D26/88
D566,320 S *	4/2008	Kim	D26/88
D578,243 S *	10/2008	Salatto-Rose	D26/89

D596,338 S *	7/2009	Sabernig	D26/88
D605,332 S *	12/2009	Miranda	D26/88
D605,333 S *	12/2009	Miranda	D26/88
D605,349 S *	12/2009	Clark et al.	D26/152
D621,087 S *	8/2010	Nagane et al.	D26/88
D633,645 S *	3/2011	Verelst	D26/89
D640,823 S *	6/2011	Hokazono et al.	D26/89
D641,518 S *	7/2011	Van den Akker	D26/89
D655,856 S *	3/2012	Burks	D26/90
D656,264 S *	3/2012	Janssen	D26/90
D659,886 S *	5/2012	Wauters	D26/90
D663,880 S *	7/2012	Janssen	D26/74
D666,765 S *	9/2012	Orozco	D26/90

* cited by examiner

Primary Examiner — Kevin Rudzinski

(74) *Attorney, Agent, or Firm* — Fish & Richardson P.C.

(57) **CLAIM**

The ornamental design for a lighting fixture, substantially as shown and described.

DESCRIPTION

FIG. 1 is a perspective view of an implementation of the invention.

FIG. 2 is a front view of an implementation of the invention.

FIG. 3 is a back view of an implementation of the present invention.

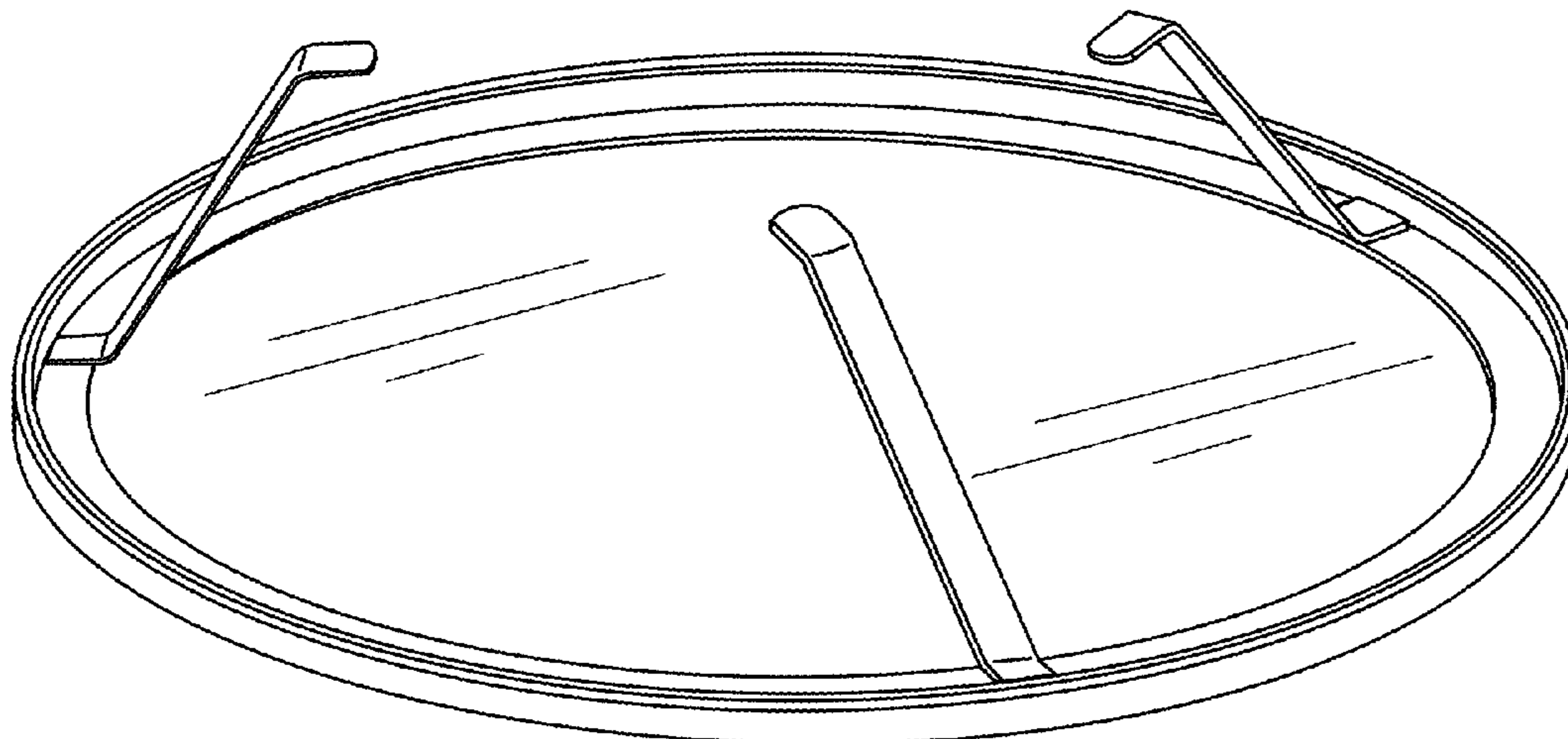
FIG. 4 is a left view of an implementation of the present invention.

FIG. 5 is a right view of an implementation of the present invention.

FIG. 6 is a top view of an implementation of the present invention; and,

FIG. 7 is a bottom view of an implementation of the present invention.

1 Claim, 5 Drawing Sheets



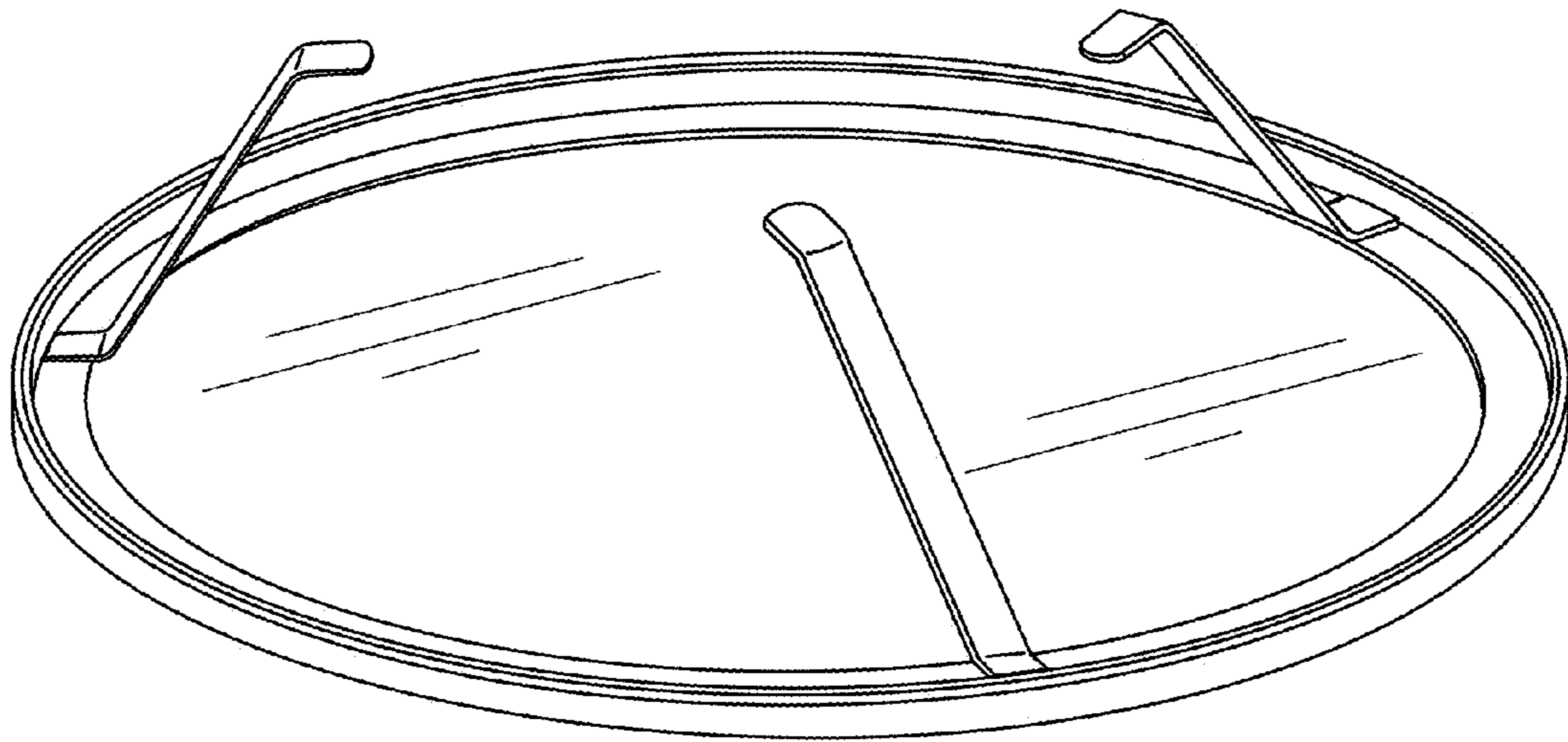


FIG. 1

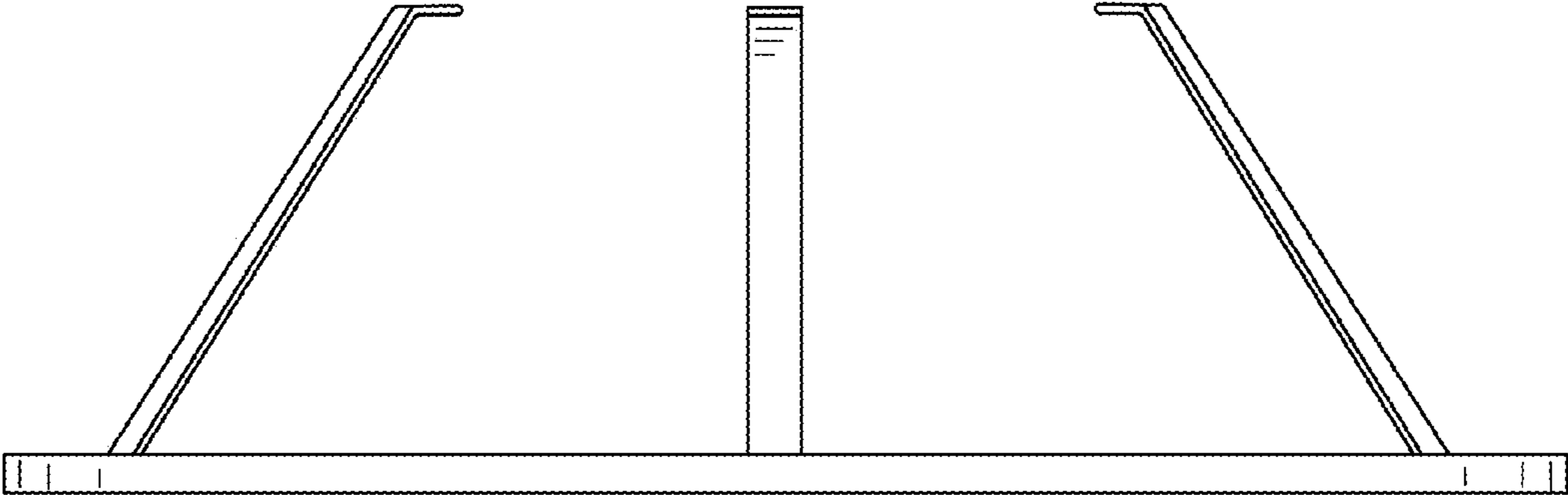


FIG. 2

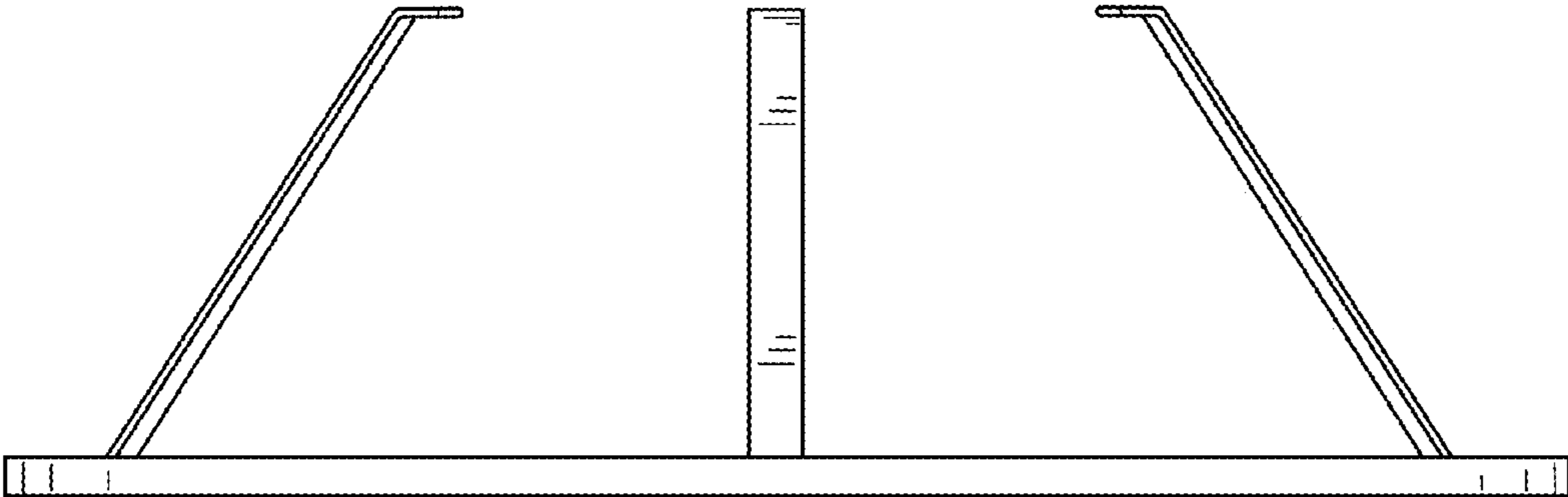


FIG. 3

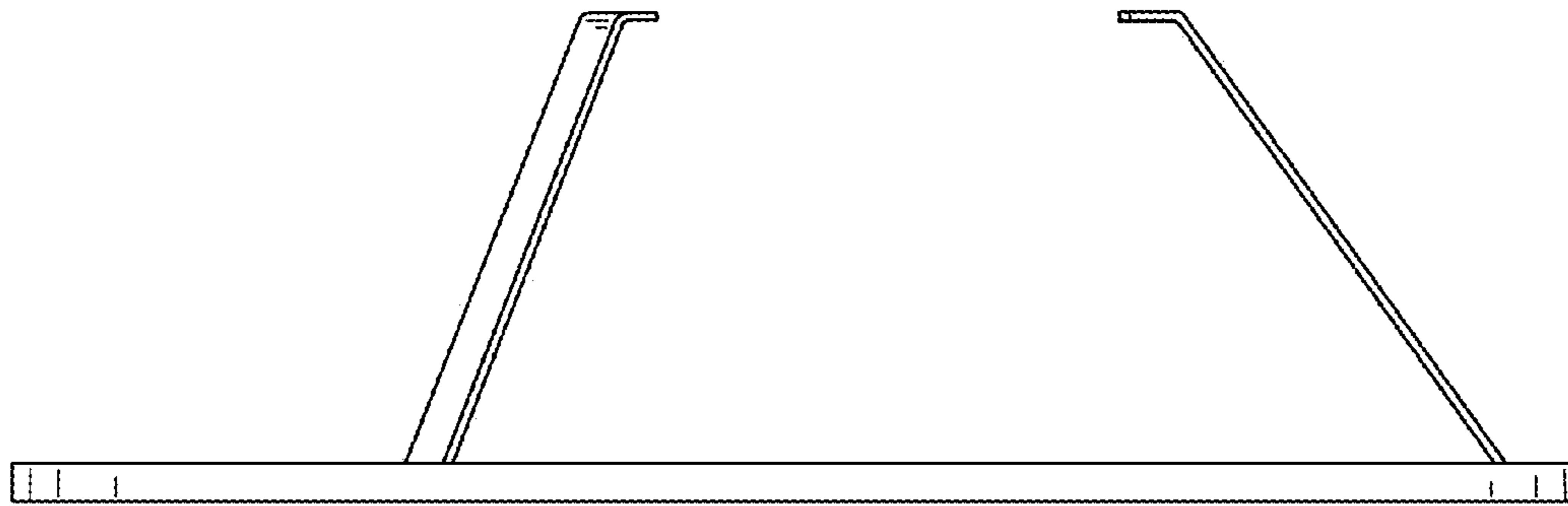


FIG. 4

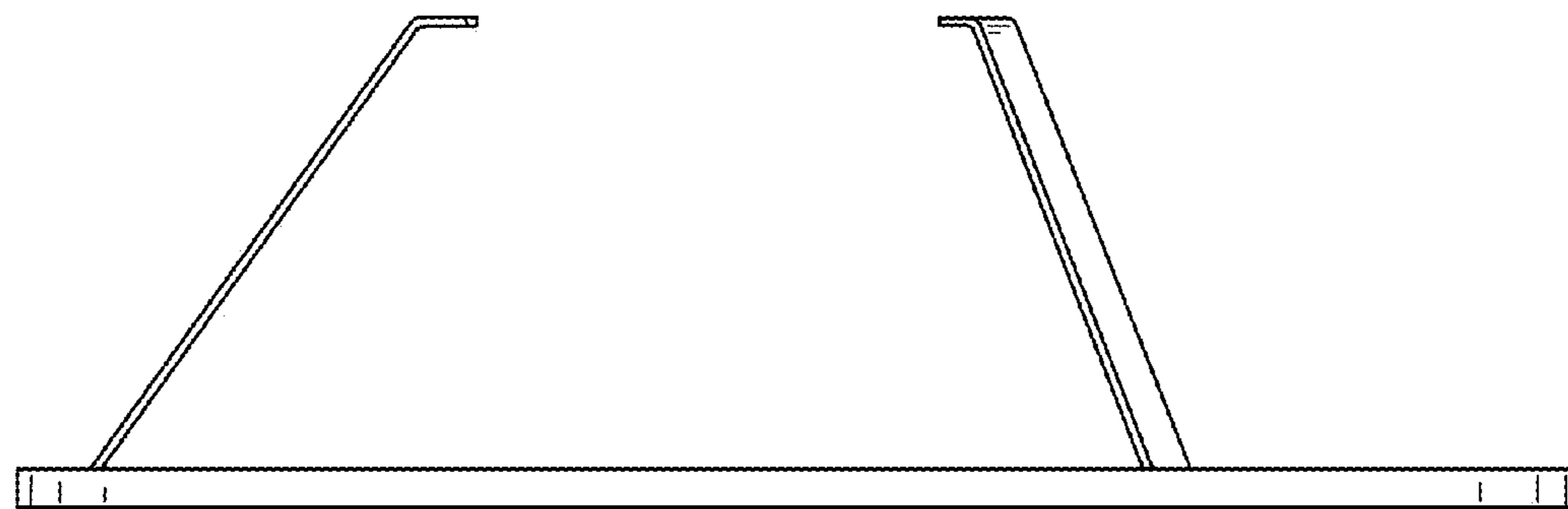


FIG. 5

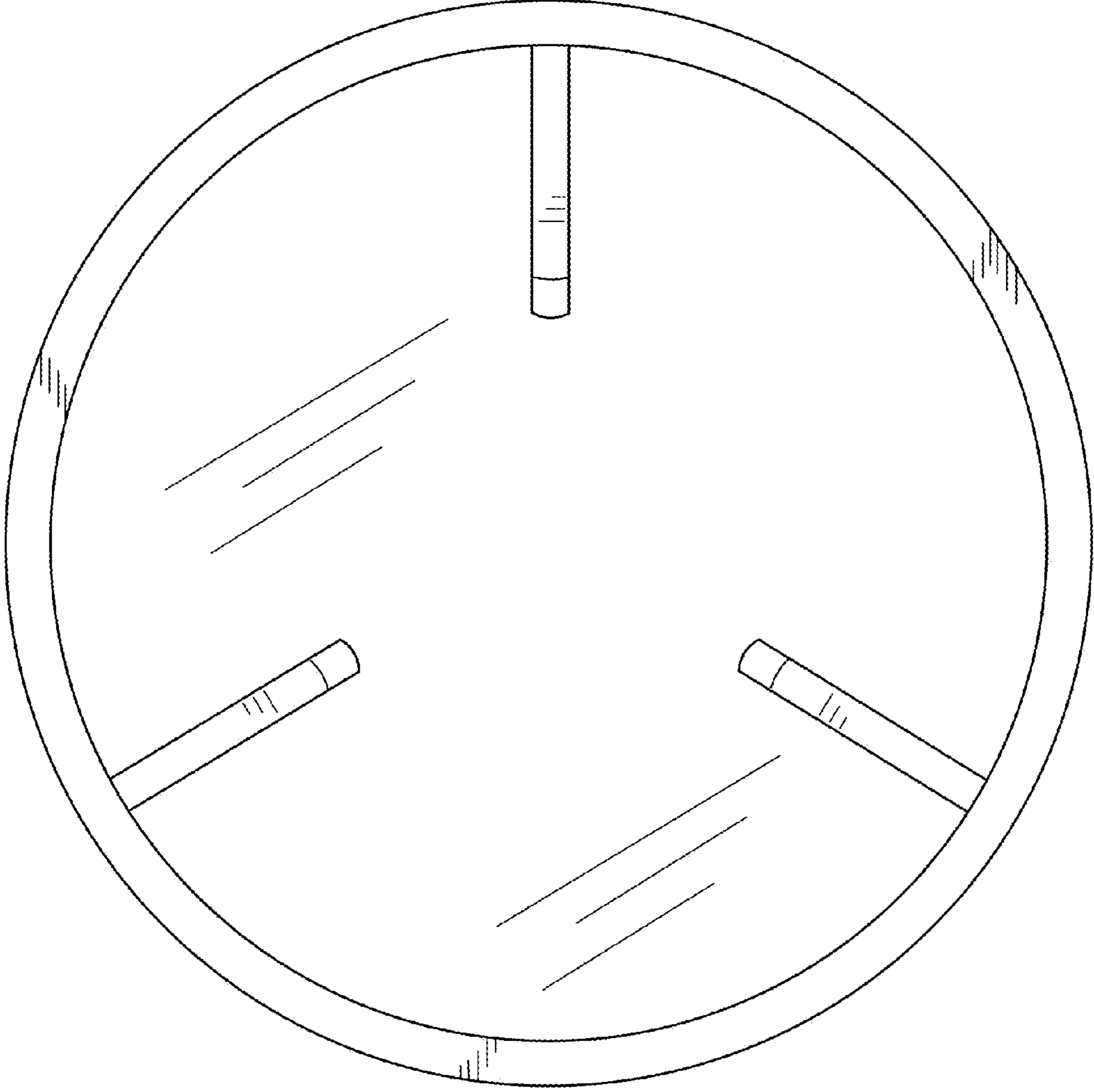


FIG. 6

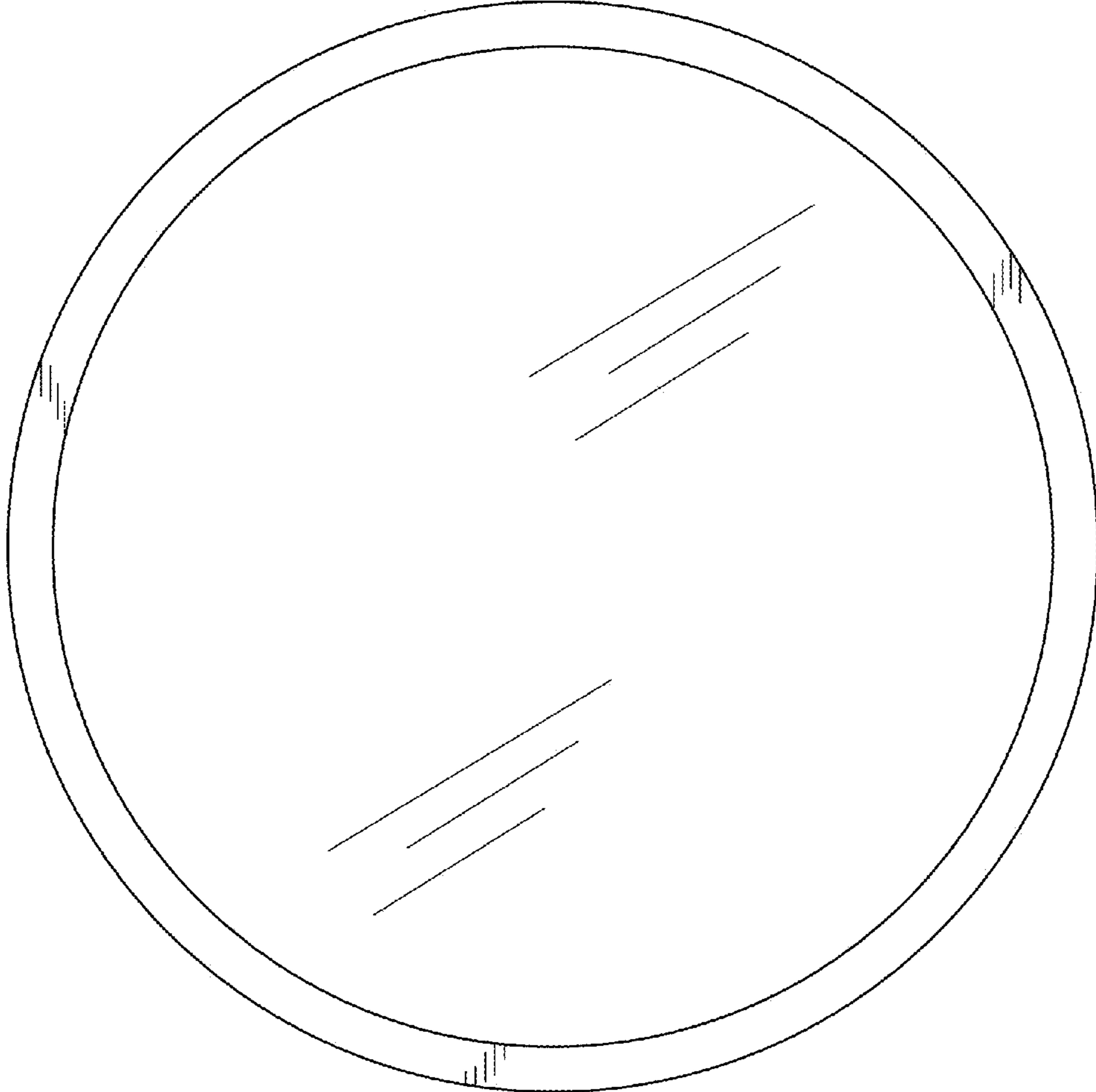


FIG. 7