



US00D684301S

(12) **United States Design Patent**  
**Liang et al.**

(10) **Patent No.:** **US D684,301 S**  
(45) **Date of Patent:** **\*\* Jun. 11, 2013**

- (54) **LAMPSHADE**
- (71) Applicants: **Jojo Jia Liang**, Shanghai (CN); **Angel Qi Lin**, Shanghai (CN)
- (72) Inventors: **Jojo Jia Liang**, Shanghai (CN); **Angel Qi Lin**, Shanghai (CN)
- (73) Assignee: **Koninklijke Philips Electronics N.V.**, Eindhoven (NL)
- (\*\*) Term: **14 Years**
- (21) Appl. No.: **29/436,219**
- (22) Filed: **Nov. 2, 2012**
- (30) **Foreign Application Priority Data**  
May 7, 2012 (EM) ..... 002038059-0006
- (51) **LOC (9) Cl.** ..... **26-99**
- (52) **U.S. Cl.**  
USPC ..... **D26/118**
- (58) **Field of Classification Search**  
USPC ..... D26/118, 113, 119, 120, 128, 145, D26/76, 75, 148, 146, 138, 155, 154, 68, D26/69, 147, 135, 136, 137, 121, 122, 123, D26/132, 134, 141, 142, 143, 144, 62, 65, D26/125, 126, 129, 131, 149, 150, 152, 153, D26/1, 2, 3, 63, 64, 66, 67, 71, 85, 86, 88, D26/72, 73, 89, 26, 83, 93, 130, 133, 104, D26/102; 362/241, 249.01-249.12, 294, 362/362, 326, 373, 372; D9/429; D11/143, D11/153; D13/179, 180  
See application file for complete search history.

- (56) **References Cited**  
U.S. PATENT DOCUMENTS  
D25,661 S \* 6/1896 Ballou ..... D26/134  
D40,180 S \* 7/1909 Mygatt ..... D26/134

- D73,862 S \* 11/1927 Owen ..... D26/132
- D77,556 S \* 1/1929 Kopp ..... D11/143
- 1,763,963 A \* 6/1930 Guth ..... 362/312
- D176,921 S \* 2/1956 Koepke ..... D26/130
- 3,223,828 A \* 12/1965 Mast ..... 392/364
- D237,003 S \* 9/1975 Jahandideh ..... D26/104
- D271,083 S \* 10/1983 Tyler ..... D9/429
- D280,242 S \* 8/1985 Burket et al. .... D26/134
- D280,446 S \* 9/1985 Ishii ..... D26/130
- D293,823 S \* 1/1988 Fieschi et al. .... D26/6
- D299,445 S \* 1/1989 Lee ..... D11/153
- D320,439 S \* 10/1991 Harper ..... D23/328
- D339,205 S \* 9/1993 Kramer ..... D26/102
- D351,121 S \* 10/1994 Lauchlan ..... D11/143
- D357,085 S \* 4/1995 Ratia ..... D26/10
- D363,362 S \* 10/1995 Davis, Sr. .... D26/131
- D367,337 S \* 2/1996 Barnes et al. .... D26/134
- D406,365 S \* 3/1999 Furner ..... D26/9
- D417,018 S \* 11/1999 Soller ..... D26/9
- D420,163 S \* 2/2000 Fouke ..... D26/88
- D422,101 S \* 3/2000 Barraclough et al. .... D26/9
- D422,720 S \* 4/2000 Hardy ..... D26/11
- D439,009 S \* 3/2001 Broeders ..... D26/119
- D444,263 S \* 6/2001 Dolan ..... D26/130
- D448,868 S \* 10/2001 Carpenter ..... D26/11
- D454,190 S \* 3/2002 Trocola ..... D23/366
- D456,550 S \* 4/2002 Clodagh ..... D26/85
- D468,200 S \* 1/2003 Kim et al. .... D9/428

(Continued)

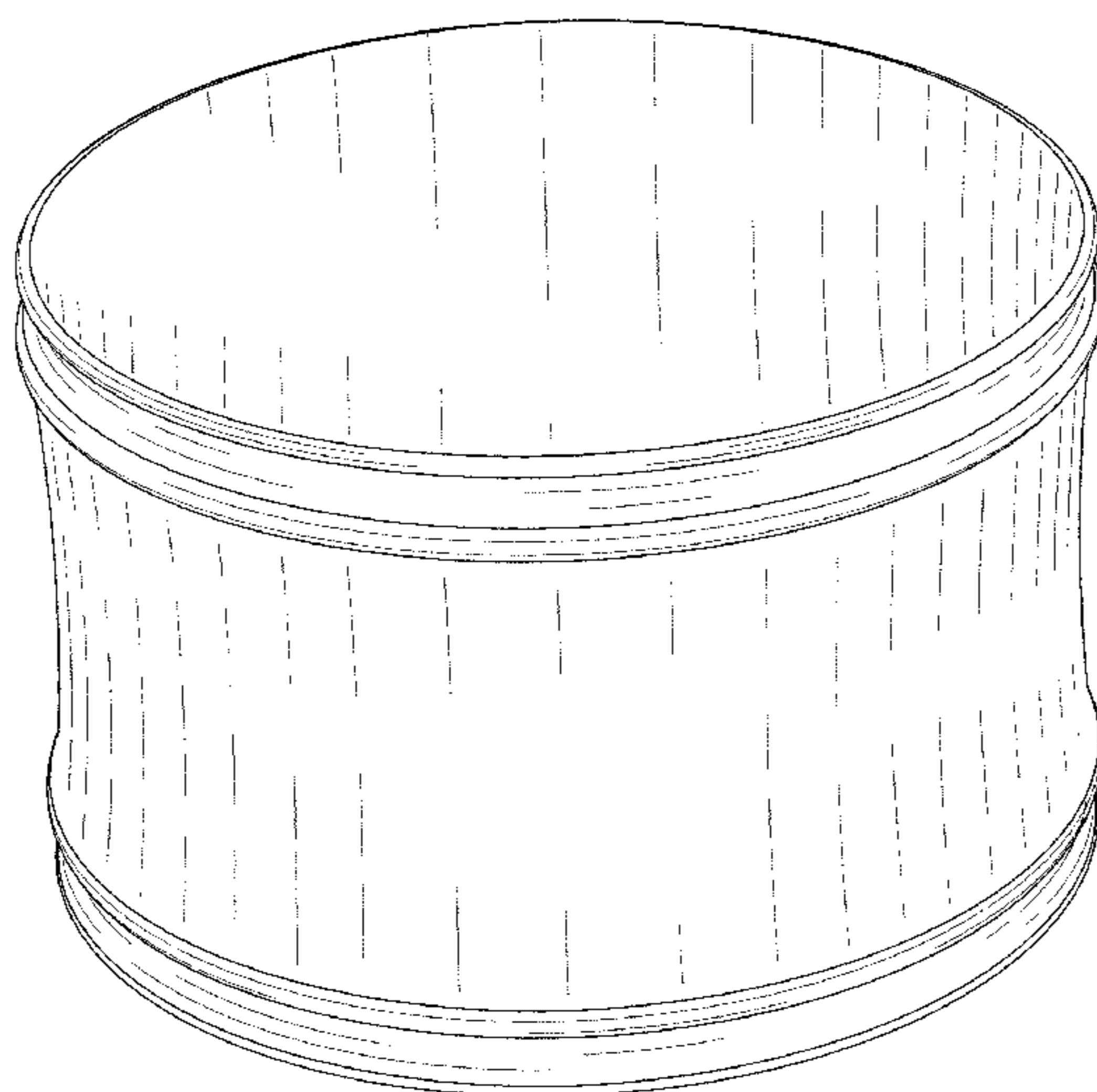
*Primary Examiner* — Kevin Rudzinski

(57) **CLAIM**  
The ornamental design for a lampshade, as shown.

**DESCRIPTION**

FIG. 1 is a perspective view showing my design;  
FIG. 2 is a front elevational view thereof;  
FIG. 3 is a rear elevational view thereof;  
FIG. 4 is a right side elevational view thereof;  
FIG. 5 is a left side elevational view thereof;  
FIG. 6 is a top plan view thereof; and,  
FIG. 7 is a bottom plan view thereof.

**1 Claim, 5 Drawing Sheets**



# US D684,301 S

Page 2

## U.S. PATENT DOCUMENTS

D468,847	S *	1/2003	Lee	.....	D26/9
D473,004	S *	4/2003	Hoernig	.....	D26/87
6,550,936	B2 *	4/2003	Foley	.....	362/268
D489,501	S *	5/2004	Dretzka	.....	D34/1
D494,308	S *	8/2004	Sales	.....	D26/123
D506,017	S *	6/2005	Chen	.....	D26/40
D506,565	S *	6/2005	Yurich	.....	D26/89
7,011,425	B2 *	3/2006	Morris et al.	.....	362/161
D535,376	S *	1/2007	Michaels et al.	.....	D23/366
D553,791	S *	10/2007	Bouroullec et al.	.....	D26/128
D562,493	S *	2/2008	Chen	.....	D26/88
D575,444	S *	8/2008	Lissoni	.....	D26/137
D575,894	S *	8/2008	Lissoni	.....	D26/88
D576,341	S *	9/2008	Dordoni	.....	D26/90
D585,582	S *	1/2009	Campbell	.....	D26/88
D592,798	S *	5/2009	Chandler	.....	D26/118
D593,702	S *	6/2009	Sabernig	.....	D26/88
D603,034	S *	10/2009	Thompson	.....	D23/366
D620,177	S *	7/2010	Sabernig	.....	D26/84
D625,852	S *	10/2010	Franklin	.....	D26/22
7,858,015	B2 *	12/2010	Urquhart et al.	.....	264/301
D636,114	S *	4/2011	De Lucchi	.....	D26/128
D636,527	S *	4/2011	Yao	.....	D26/134
D638,570	S *	5/2011	Verelst	.....	D26/91
D645,607	S *	9/2011	Chen	.....	D26/130
D646,824	S *	10/2011	Bembridge	.....	D26/67
D659,886	S *	5/2012	Wauters	.....	D26/90
D663,817	S *	7/2012	Browder	.....	D23/366
D670,854	S *	11/2012	Yang	.....	D26/118
D671,029	S *	11/2012	Missoni	.....	D11/146
D672,481	S *	12/2012	Arslanian	.....	D26/22
2004/0032733	A1 *	2/2004	Gabriel et al.	.....	362/161

\* cited by examiner

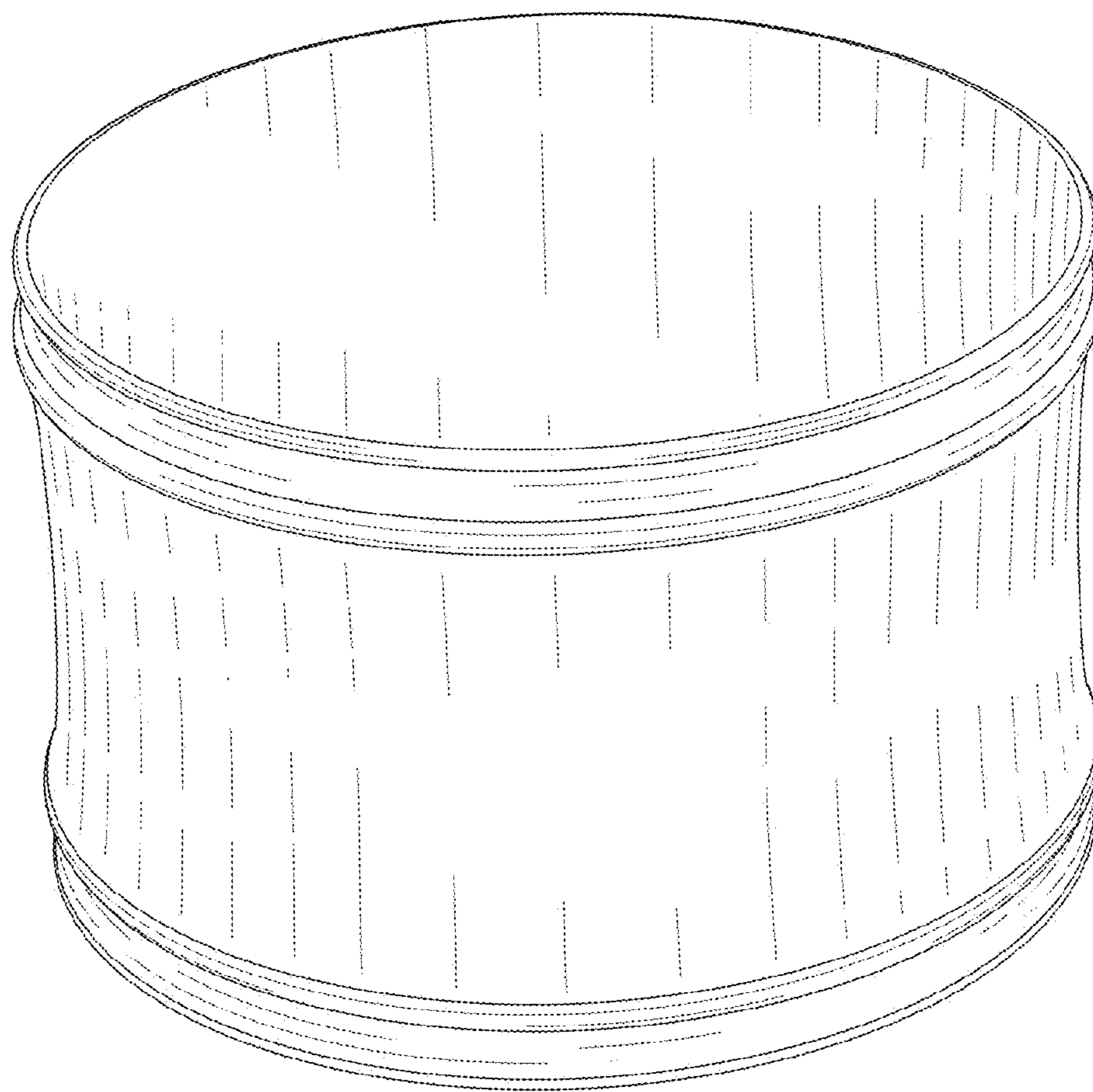


FIG. 1

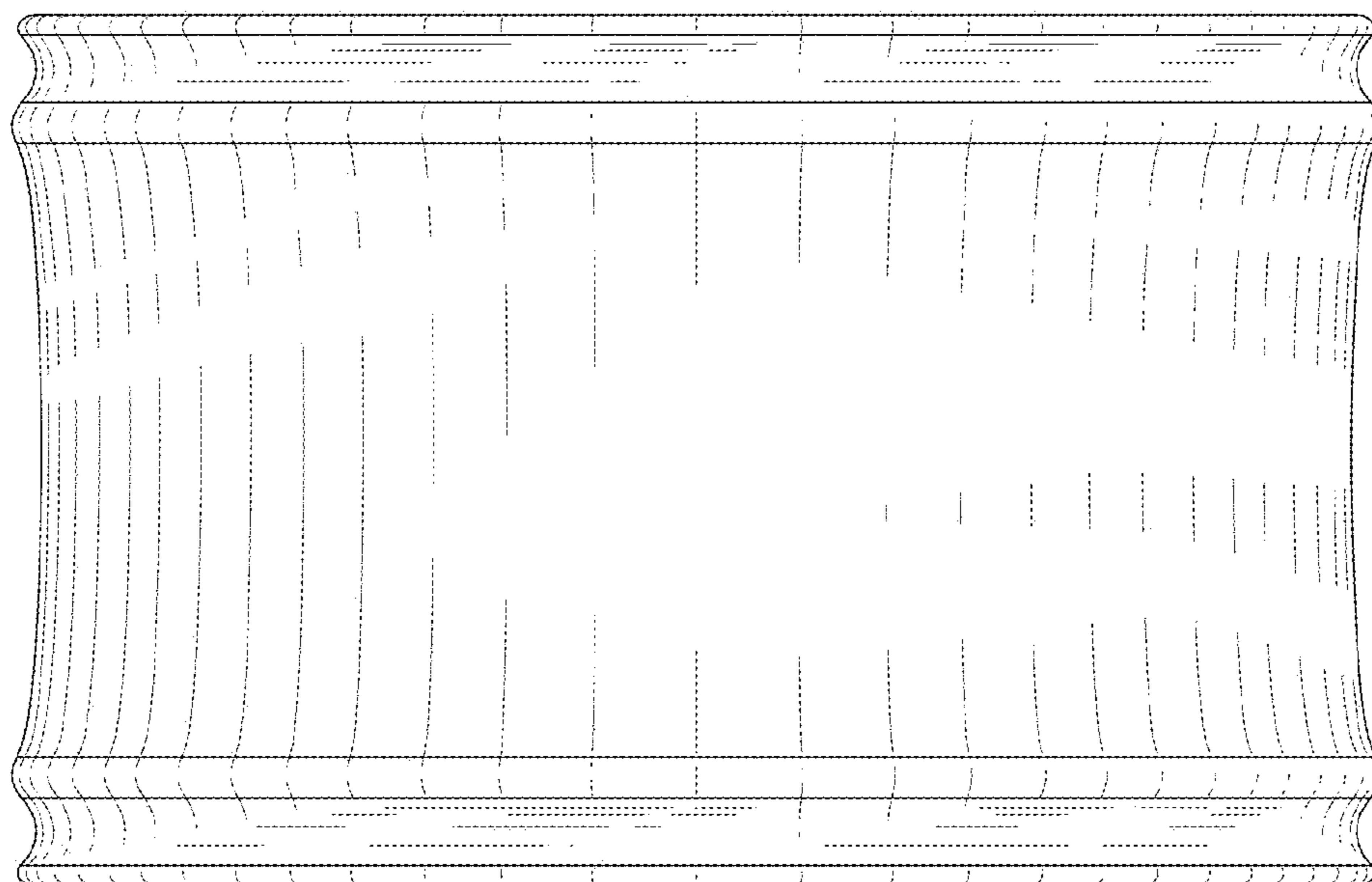


FIG. 2

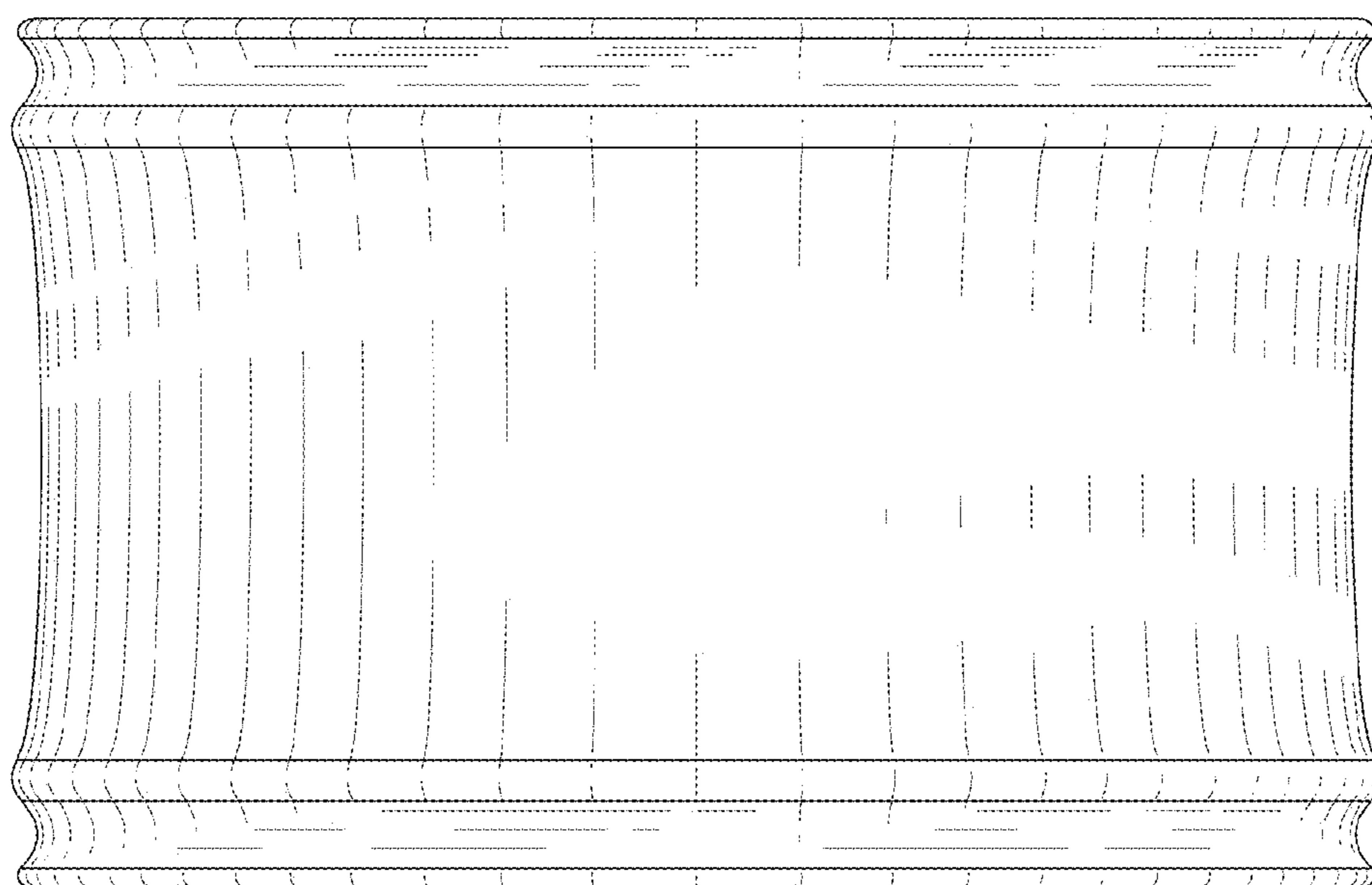


FIG. 3

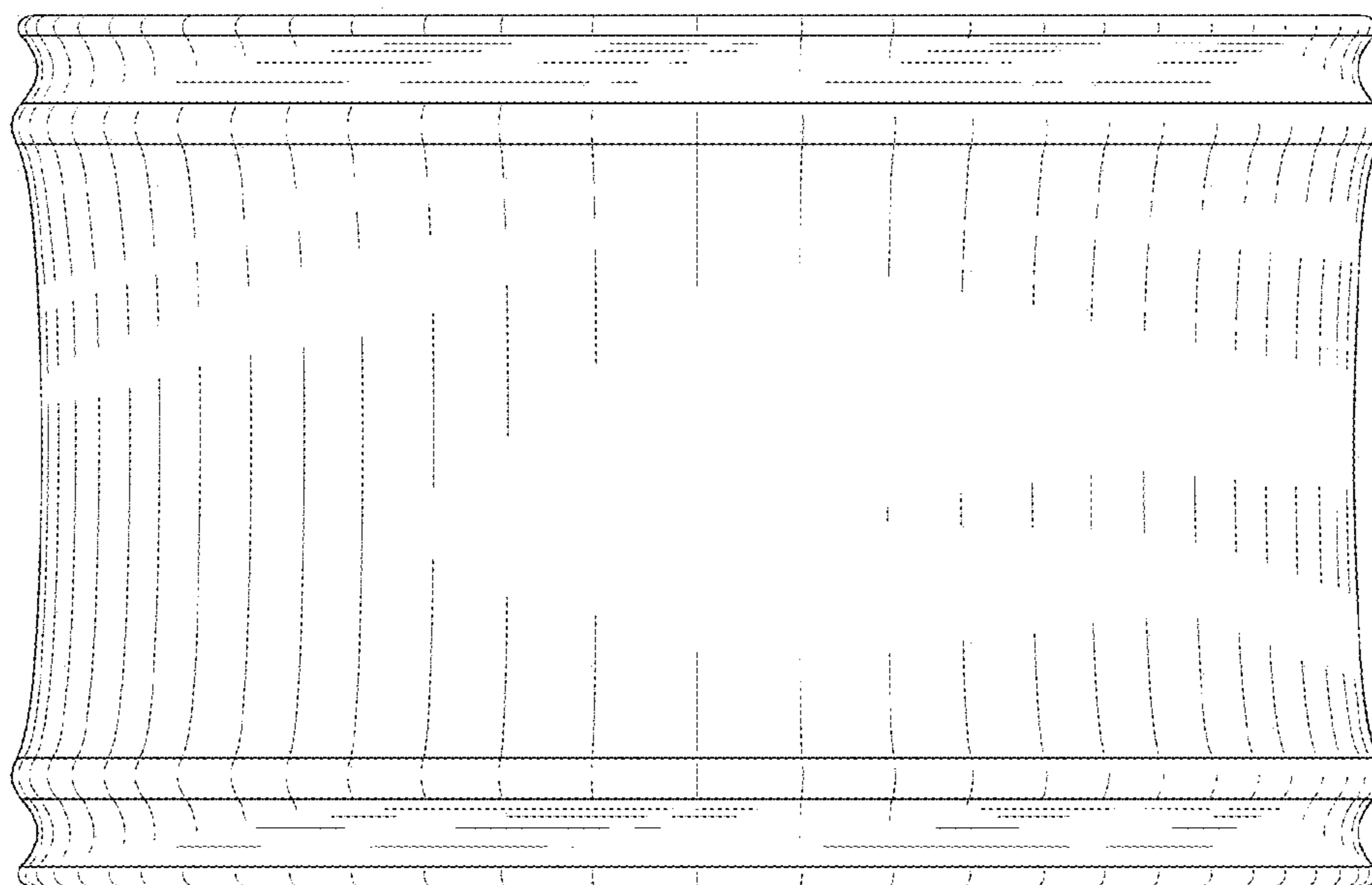


FIG. 4

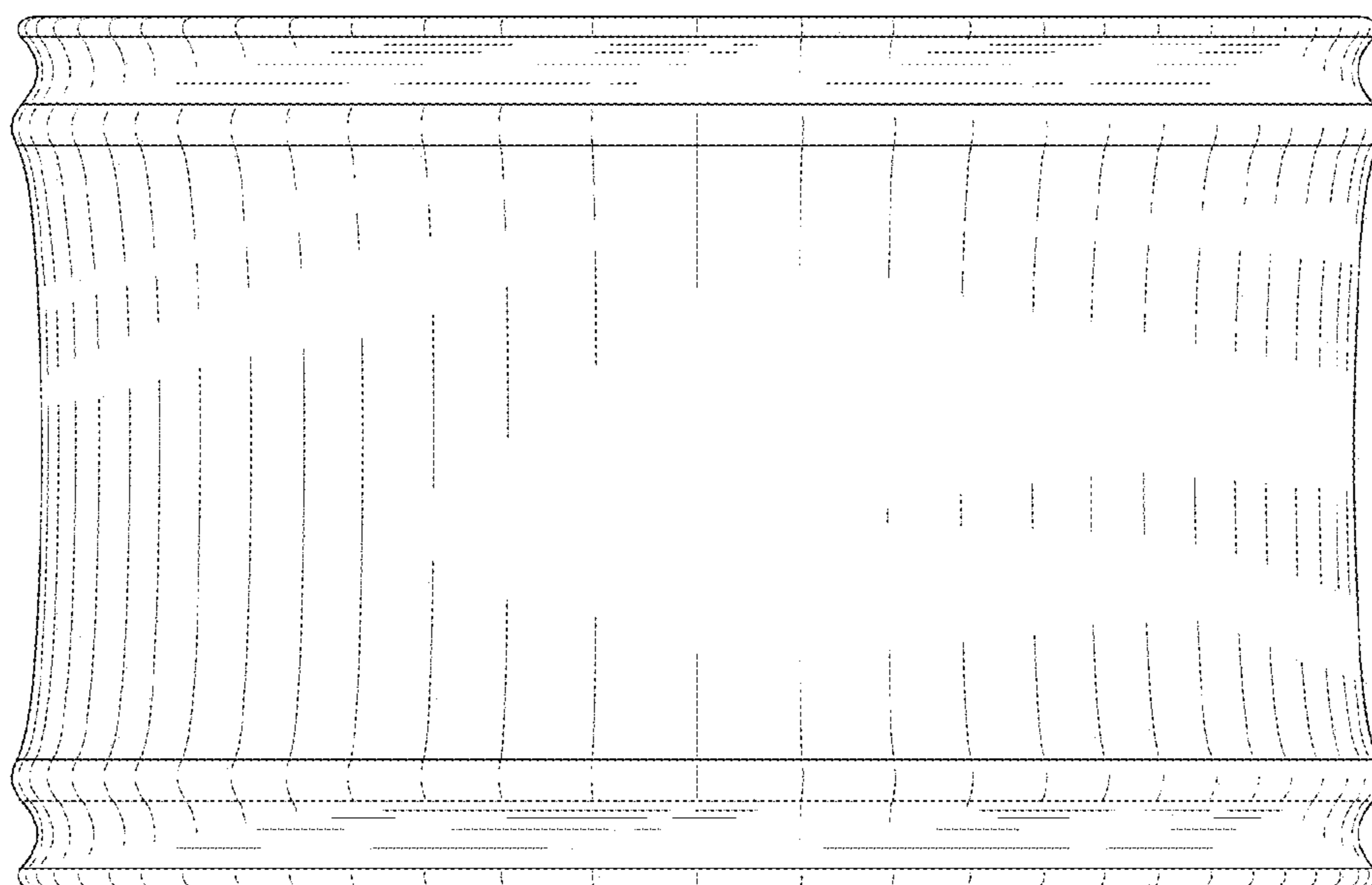


FIG. 5

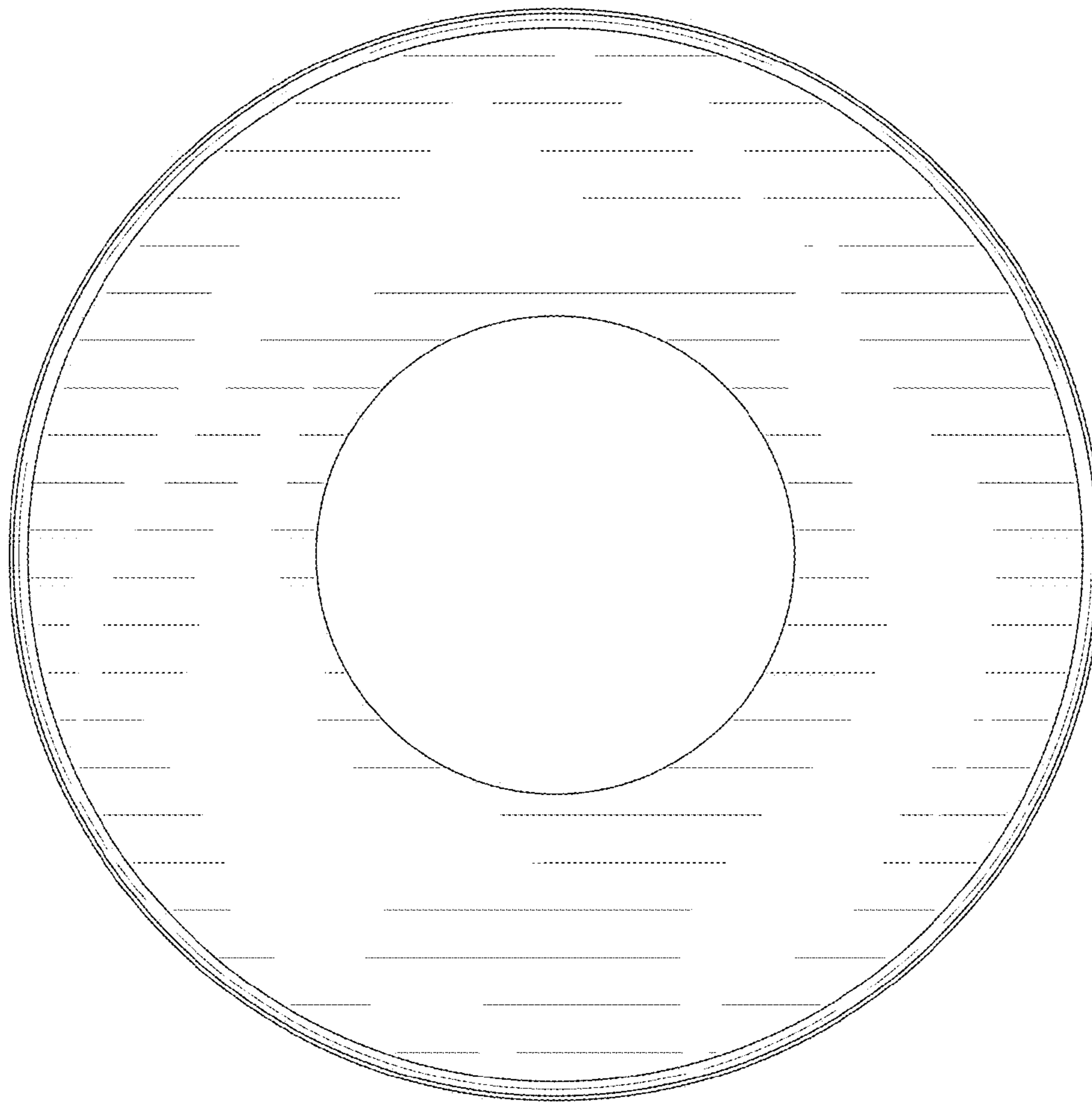


FIG. 6

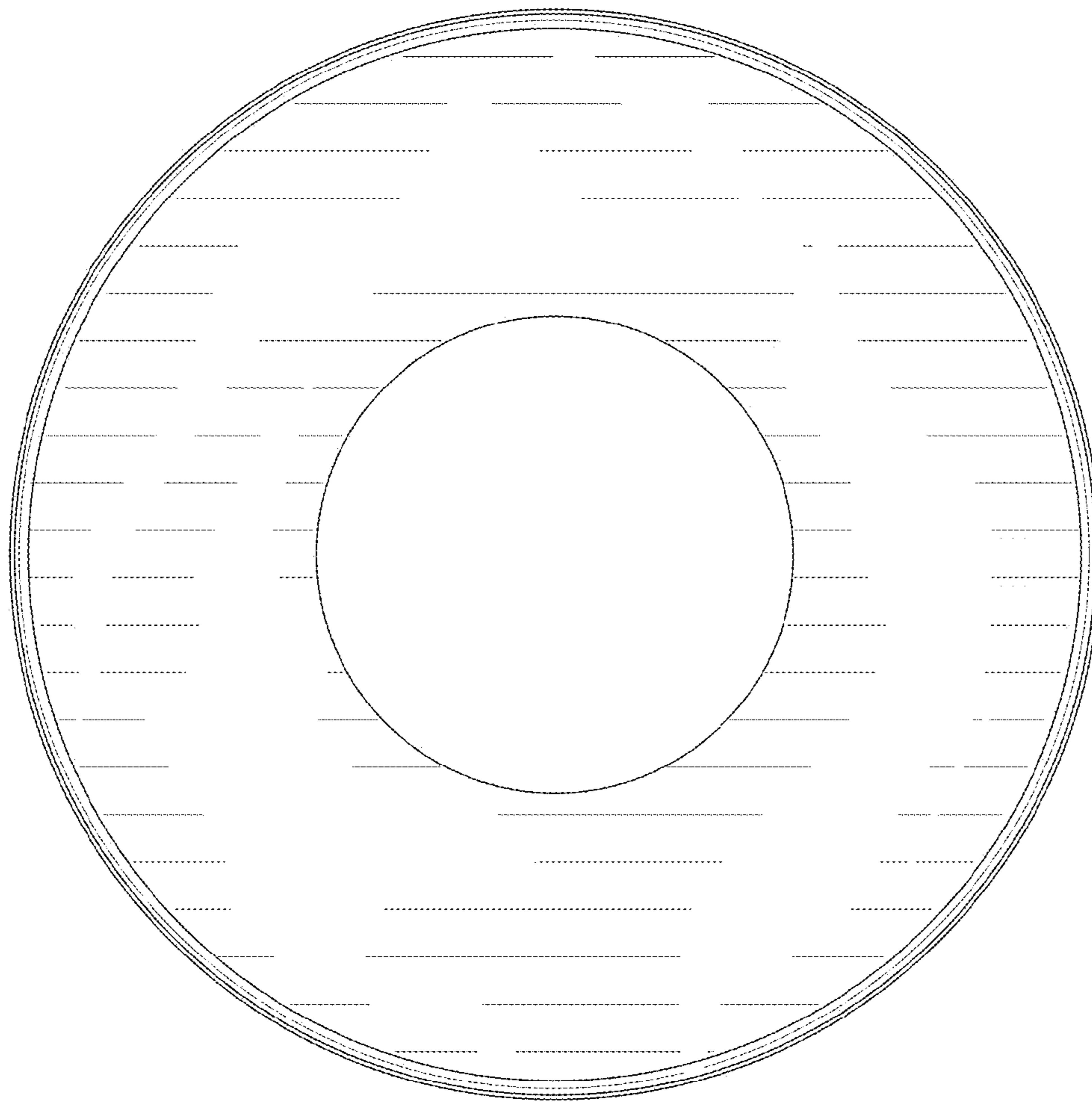


FIG. 7