



US00D684295S

(12) **United States Design Patent**  
**Thomas**

(10) **Patent No.:** **US D684,295 S**  
(45) **Date of Patent:** **\*\* Jun. 11, 2013**

(54) **LIGHTING FIXTURE**

(75) Inventor: **Roger P. Thomas**, Las Vegas, NV (US)

(73) Assignee: **Boyd Lighting Fixture Company**, San Francisco, CA (US)

(\*\*) Term: **14 Years**

(21) Appl. No.: **29/420,679**

(22) Filed: **May 11, 2012**

(51) **LOC (9) Cl.** ..... **26-03**

(52) **U.S. Cl.**  
USPC ..... **D26/88; D26/118**

(58) **Field of Classification Search**  
USPC ..... D26/81-92, 118, 123, 128, 131,  
D26/133, 134, 135; 362/147, 404-408, 431,  
362/432

See application file for complete search history.

(56) **References Cited**

**U.S. PATENT DOCUMENTS**

389,878	A *	9/1888	Duhring	.....	362/336
D43,646	S *	2/1913	Ryan	.....	D26/88
D45,775	S *	5/1914	Watkins	.....	D26/134
D46,123	S *	7/1914	Gleason	.....	D26/133
D48,492	S *	2/1916	Herskovitz	.....	D26/88
D51,021	S *	7/1917	Mohr	.....	D26/90
D197,187	S *	12/1963	Lasker	.....	D26/89
D333,708	S *	3/1993	Dordick	.....	D26/134
D354,579	S	1/1995	Chan		
D382,663	S	8/1997	Barry		
D409,789	S	5/1999	Crosby		
D441,119	S	4/2001	Crosby		
D534,679	S *	1/2007	Miranda	.....	D26/88

D536,820	S	2/2007	Crosby		
D545,994	S *	7/2007	Hargreaves	.....	D26/118
D558,912	S	1/2008	Crosby		
D577,853	S *	9/2008	De'Armond	.....	D26/135
D580,585	S	11/2008	Otero		
D627,917	S *	11/2010	Hanna et al.	.....	D26/89
D632,003	S	2/2011	Jordan		
D657,902	S *	4/2012	Smith	.....	D26/90

**OTHER PUBLICATIONS**

Roger P. Thomas, pending Design U.S. Appl. No. 29/420,681, entitled "Portion of a Lighting Fixture", filed May 11, 2012, 20-pages.

Roger P. Thomas, pending Design U.S. Appl. No. 29/420,682, entitled "Lighting Fixture", filed May 11, 2012, 8-pages.

\* cited by examiner

*Primary Examiner* — Clare E Heflin

(74) *Attorney, Agent, or Firm* — Heslin Rothenberg Farley & Mesiti P.C.

(57) **CLAIM**

The ornamental design for a lighting fixture, as shown and described.

**DESCRIPTION**

FIG. 1 is a perspective view of a lighting fixture in accordance with the new design;

FIG. 2 is a front elevational view thereof;

FIG. 3 is a right side elevational view thereof;

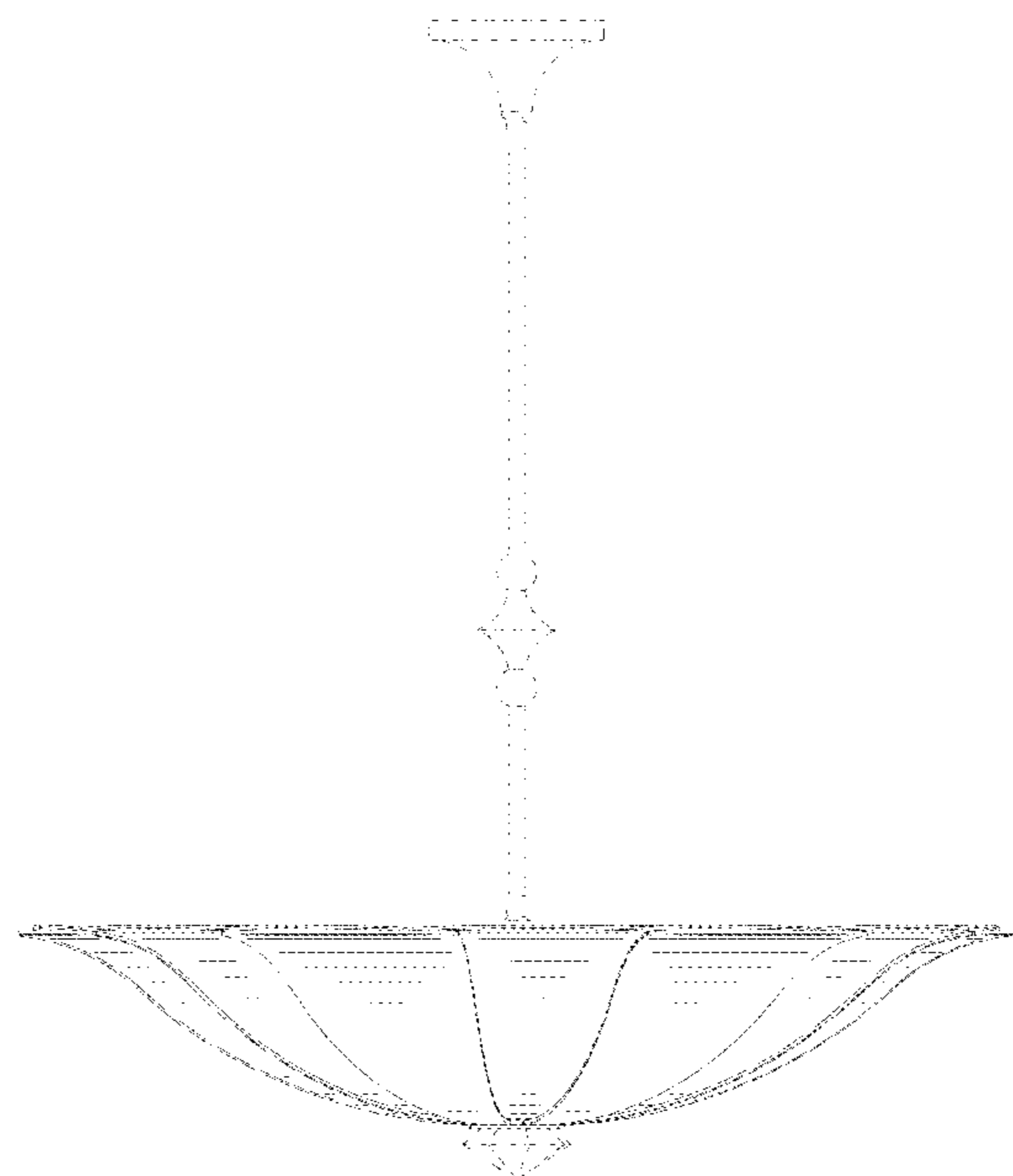
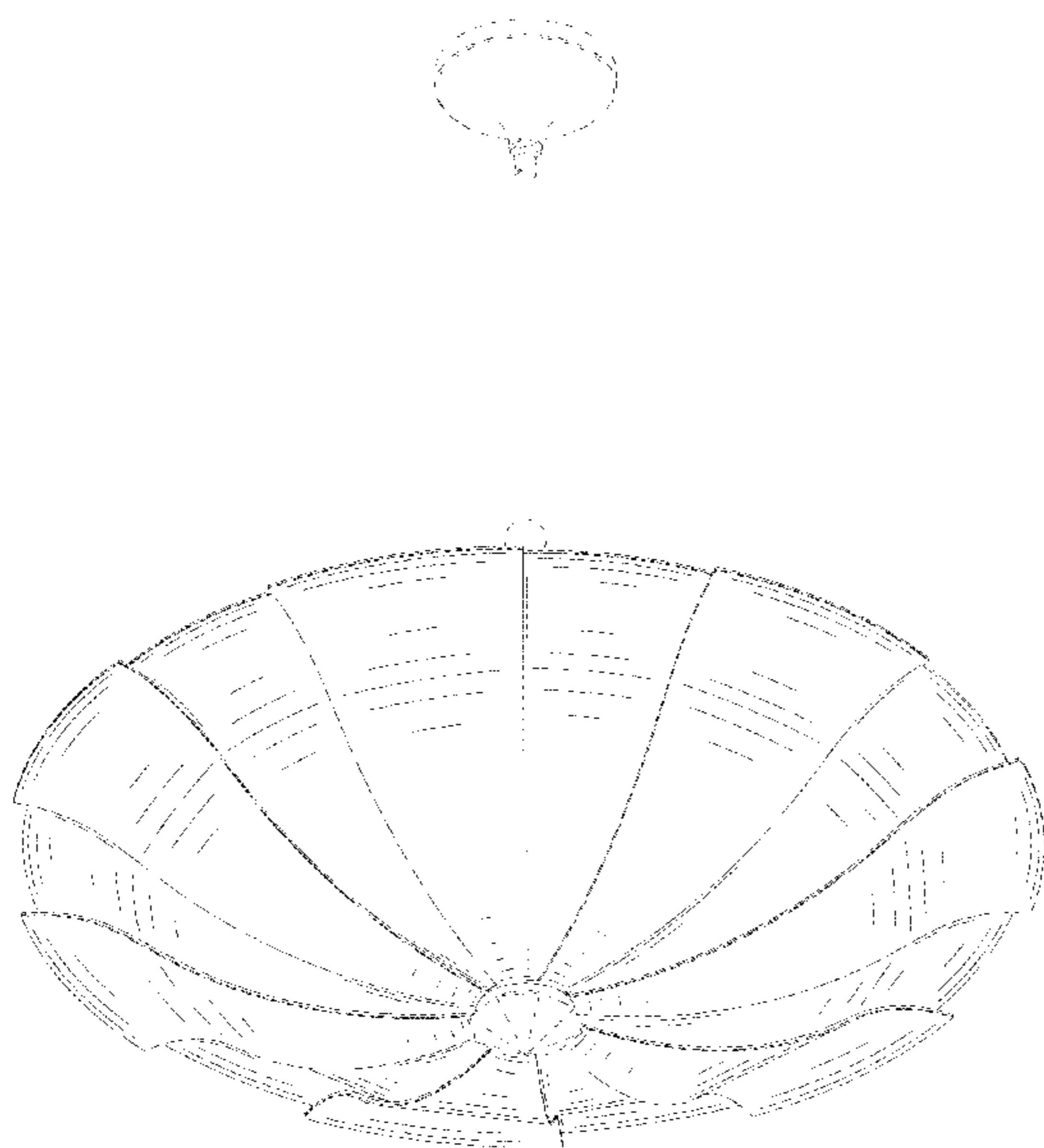
FIG. 4 is a left side elevational view thereof;

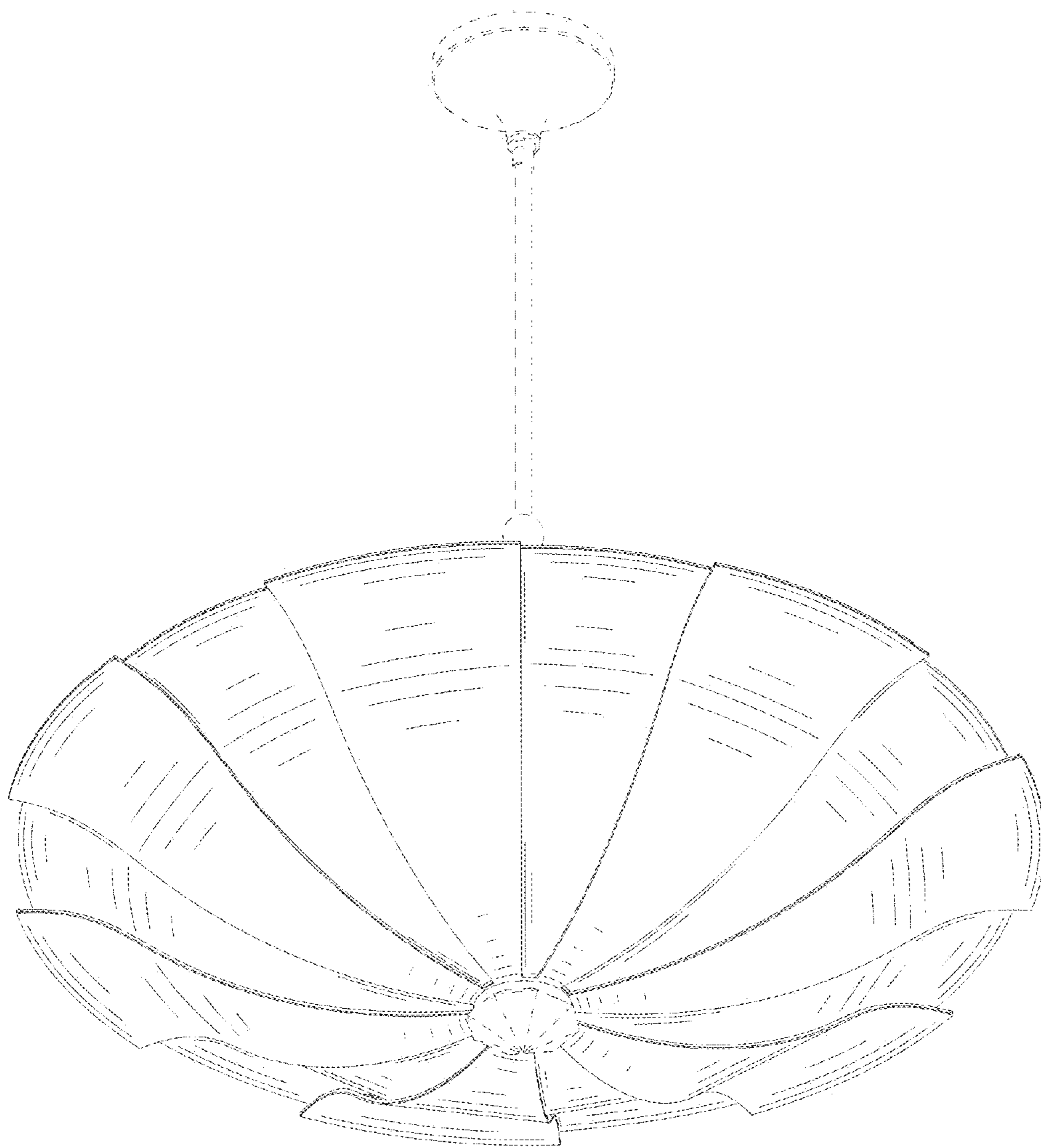
FIG. 5 is a rear elevational view thereof; and,

FIG. 6 is a bottom view thereof.

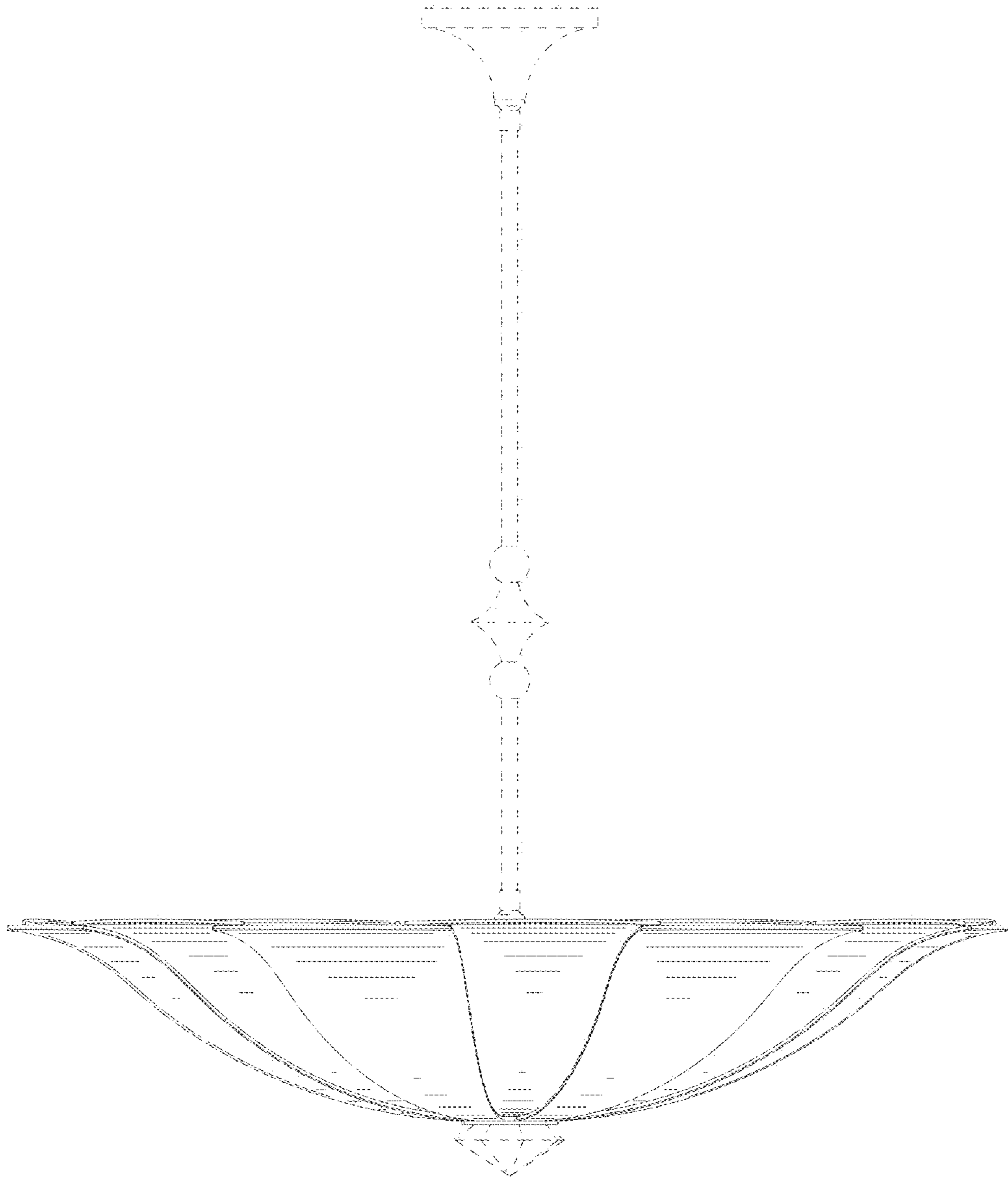
The broken lines in the figures are for illustrative purposes only and form no part of the claimed design.

**1 Claim, 6 Drawing Sheets**

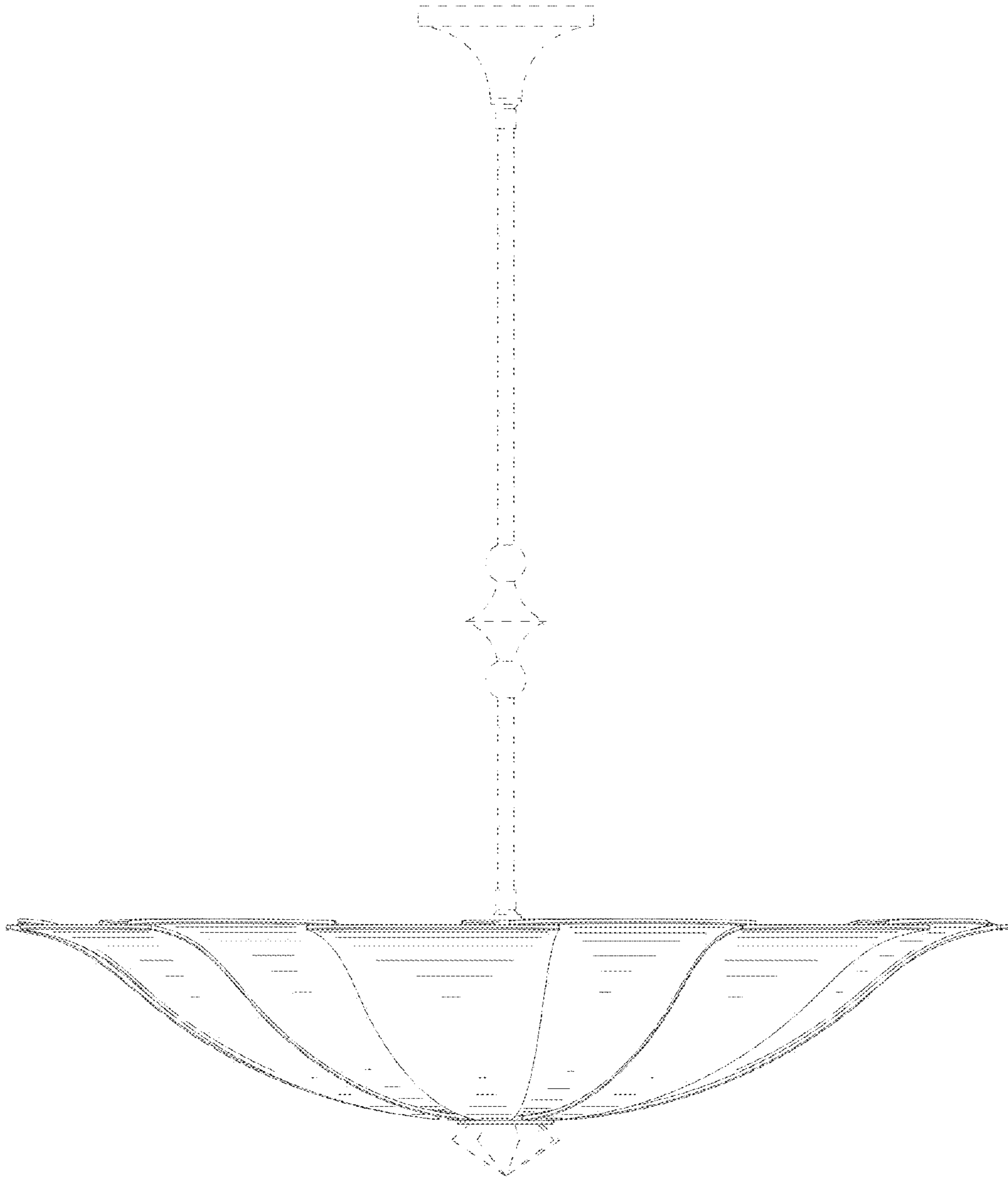




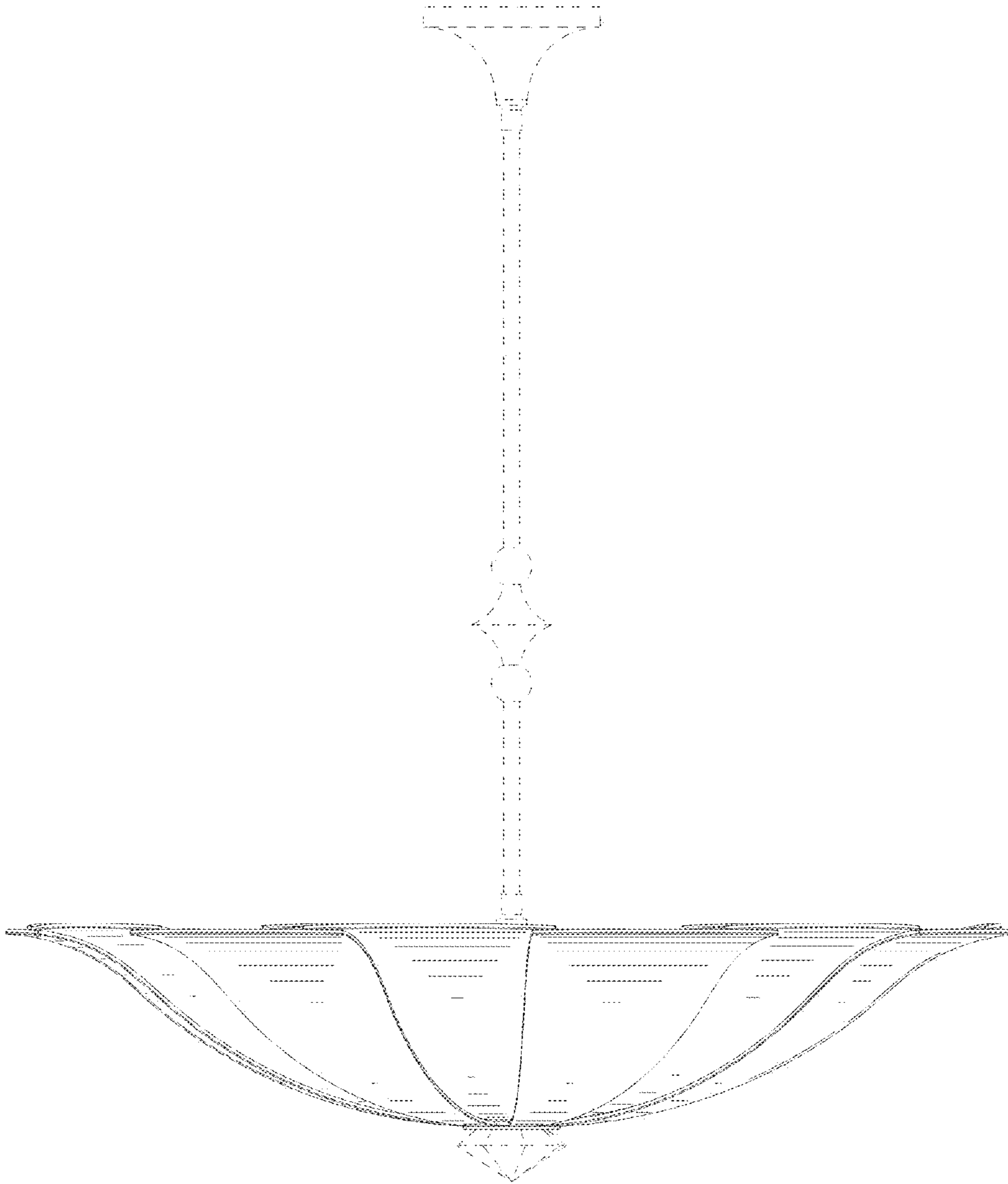
**FIG. 1**



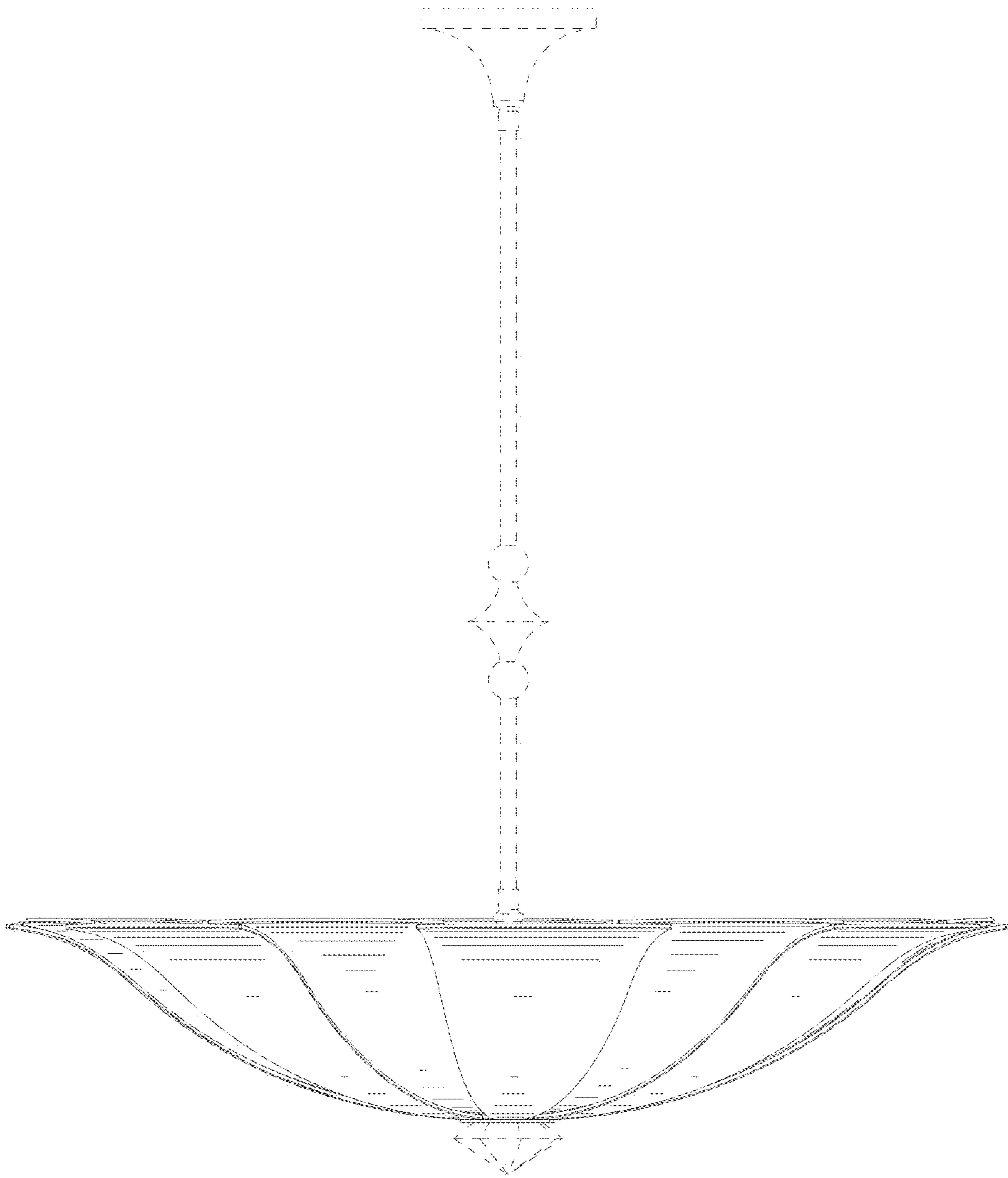
**FIG. 2**



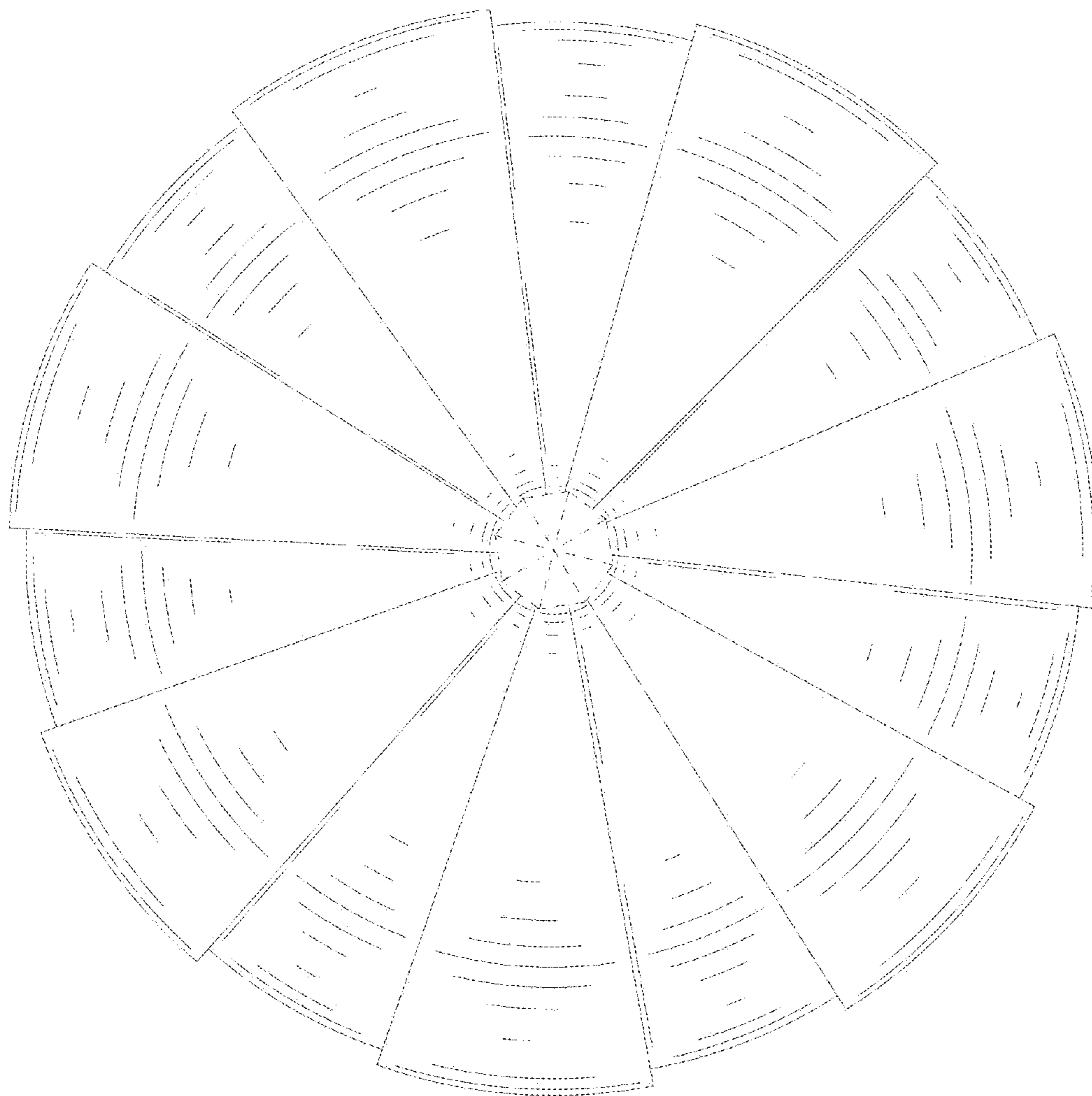
**FIG. 3**



**FIG. 4**



**FIG. 5**



**FIG. 6**