



US00D684294S

(12) **United States Design Patent**
Goodson et al.

(10) **Patent No.:** **US D684,294 S**
(45) **Date of Patent:** **** Jun. 11, 2013**

(54) **LAYERED CUBE LIGHTING FIXTURE**

(75) Inventors: **R. Talley Goodson**, Salt Lake City, UT (US); **Caleb L. Patterson**, Seattle, WA (US); **Ryan Grey Smith**, Seattle, WA (US)

(73) Assignee: **3form, Inc.**, Salt Lake City, UT (US)

(**) Term: **14 Years**

(21) Appl. No.: **29/415,589**

(22) Filed: **Mar. 12, 2012**

(51) **LOC (9) Cl.** **26-03**

(52) **U.S. Cl.**
USPC **D26/88**; D26/118; D26/138

(58) **Field of Classification Search**
USPC D26/73, 80, 83, 84, 86, 88-90, 118, D26/124, 128, 131, 135; 362/147, 404-408
See application file for complete search history.

(56) **References Cited**

U.S. PATENT DOCUMENTS

1,861,206	A *	5/1932	Burgess	D26/88
D114,433	S *	4/1939	Baker	D26/131
D162,173	S *	2/1951	Julien et al.	D26/86
D163,119	S *	5/1951	Julien et al.	D26/86
2,711,476	A *	6/1955	Wells	362/352
3,600,572	A	8/1971	Grunwald		
4,079,245	A *	3/1978	Baker	362/355
4,233,656	A *	11/1980	Shemitz	362/352
D377,402	S *	1/1997	Perkins	D26/135
D438,662	S *	3/2001	Chelf et al.	D26/80
D477,892	S *	7/2003	Alduby	D26/118
D481,484	S *	10/2003	Cuevas et al.	D26/84
D482,158	S *	11/2003	Velikov et al.	D26/128
D495,822	S *	9/2004	Yoneda	D26/124
D548,387	S *	8/2007	McDowell	D26/118

D604,451	S	11/2009	Smith	
D604,452	S	11/2009	Smith	
D604,890	S	11/2009	Smith	
D612,531	S	3/2010	Smith	
D619,296	S *	7/2010	Thevenot D26/118
D620,636	S	7/2010	Holder	
D643,969	S *	8/2011	Abate D26/118
D653,384	S *	1/2012	Parker et al. D26/118

OTHER PUBLICATIONS

3FORM, Light Art, 2010, (43 pages).

* cited by examiner

Primary Examiner — Clare E Heflin

(74) *Attorney, Agent, or Firm* — Workman Nydegger

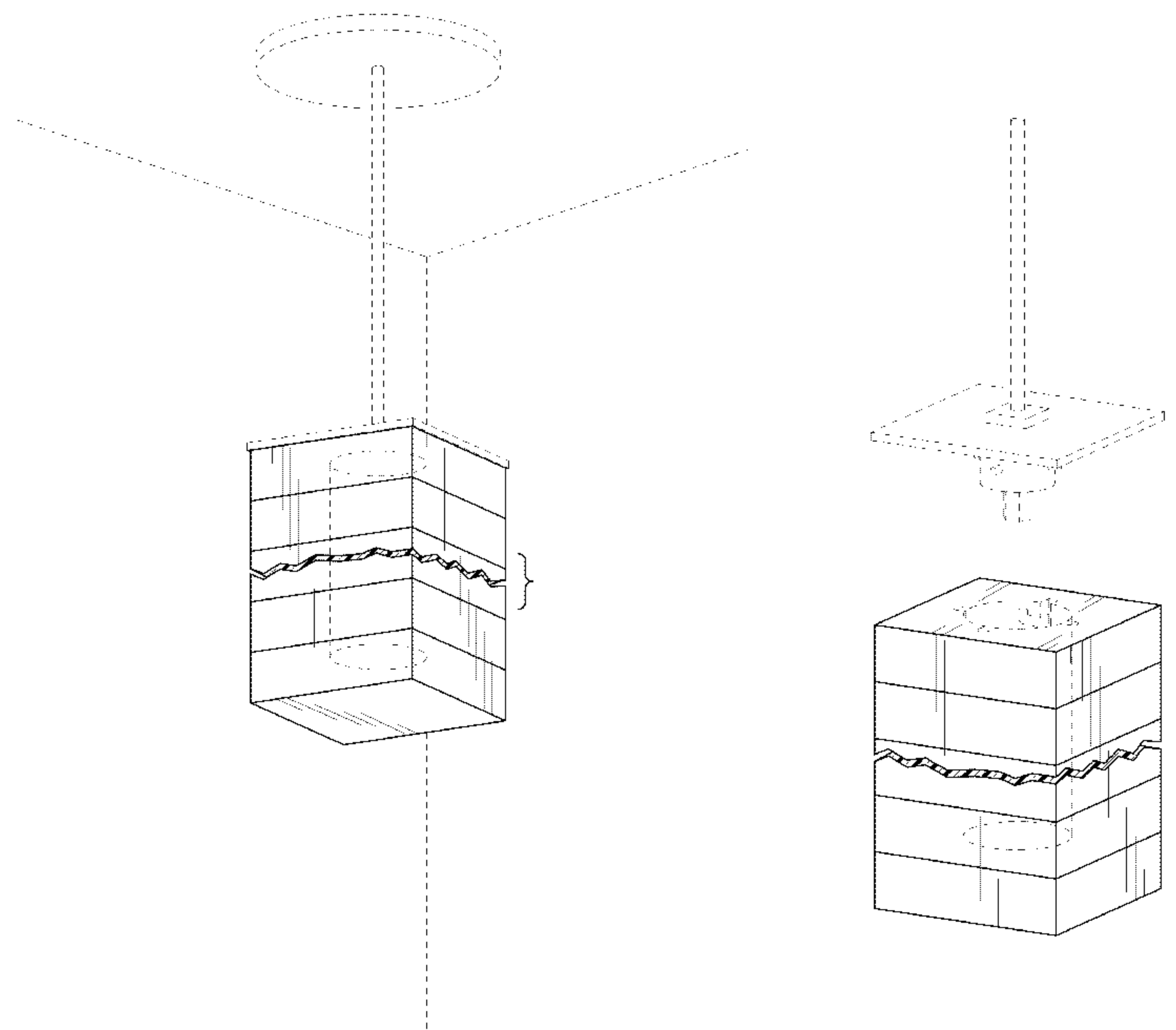
(57) **CLAIM**

The ornamental design for a layered cube lighting fixture, as shown and described.

DESCRIPTION

FIG. 1 is an elevated bottom perspective view of a lighting fixture including our design;
FIG. 2 is a side elevational view thereof, the other sides being mirror images thereof;
FIG. 3 is a top plan view thereof;
FIG. 4 is a bottom plan view thereof; and,
FIG. 5 is a perspective exploded view thereof.
The broken lines included in the drawings are for illustrative purposes and form no part of the claimed design. The separation and bracket shown in the drawings indicates that a precise length of the layered cube lighting fixture is not claimed. Thus, the layered cube lighting fixture can comprise a cube shape or rectangular shape depending upon the length.

1 Claim, 4 Drawing Sheets



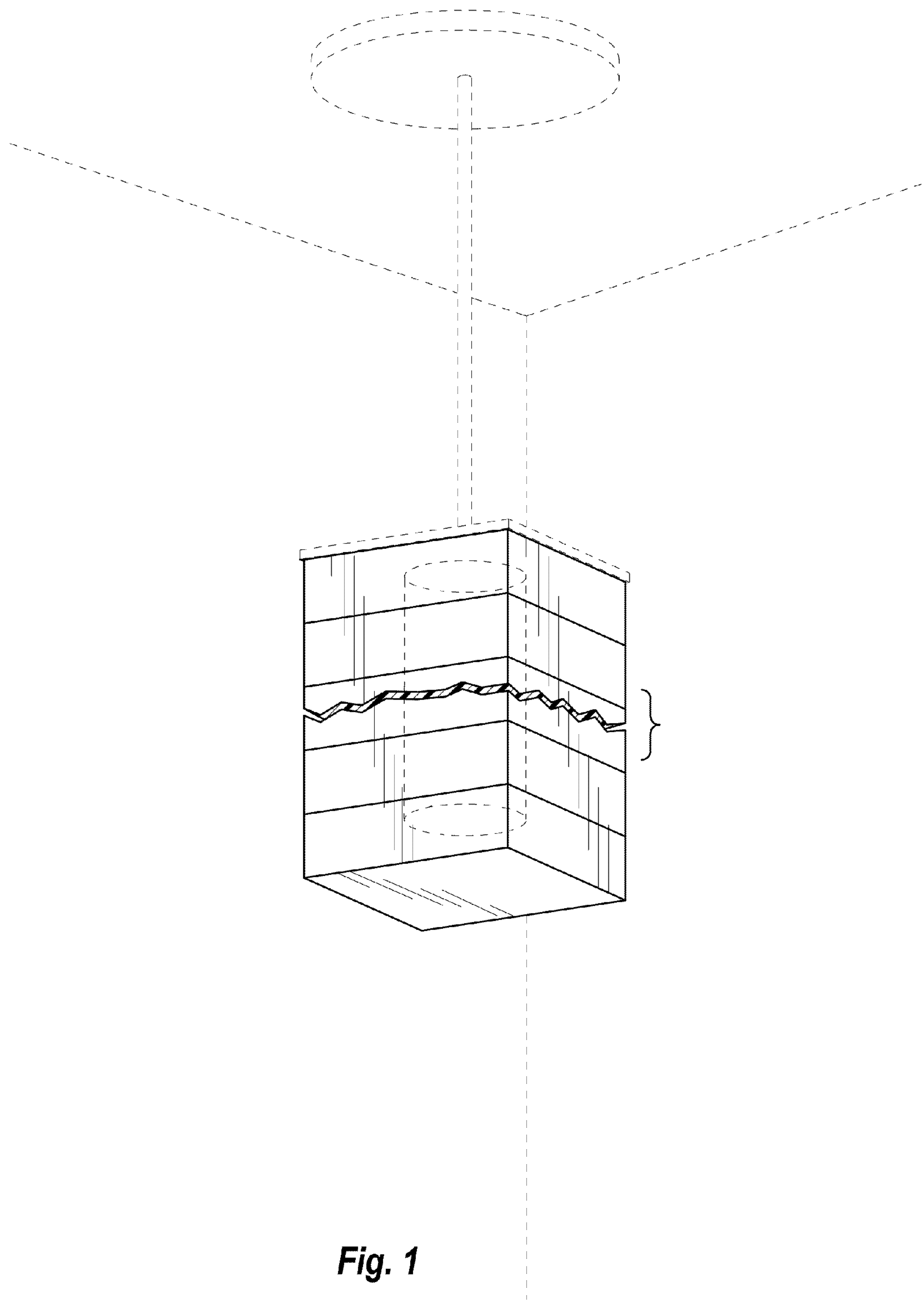


Fig. 1

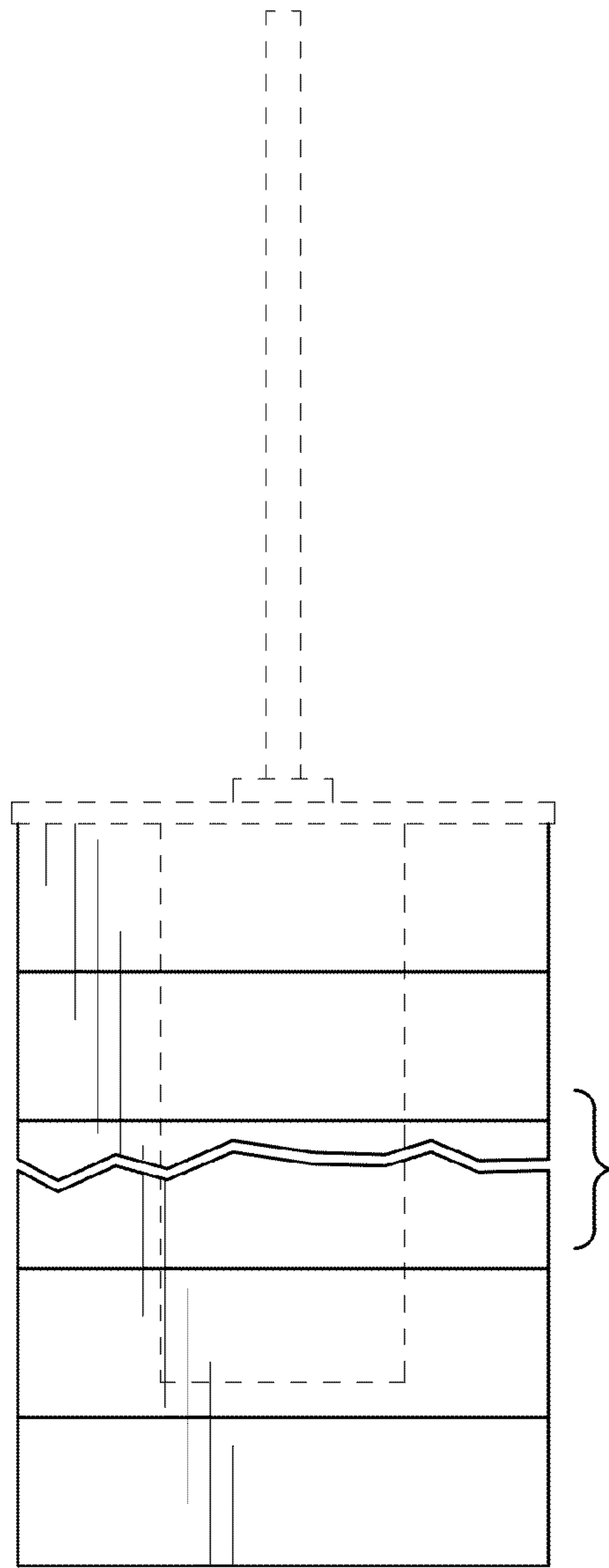


Fig. 2

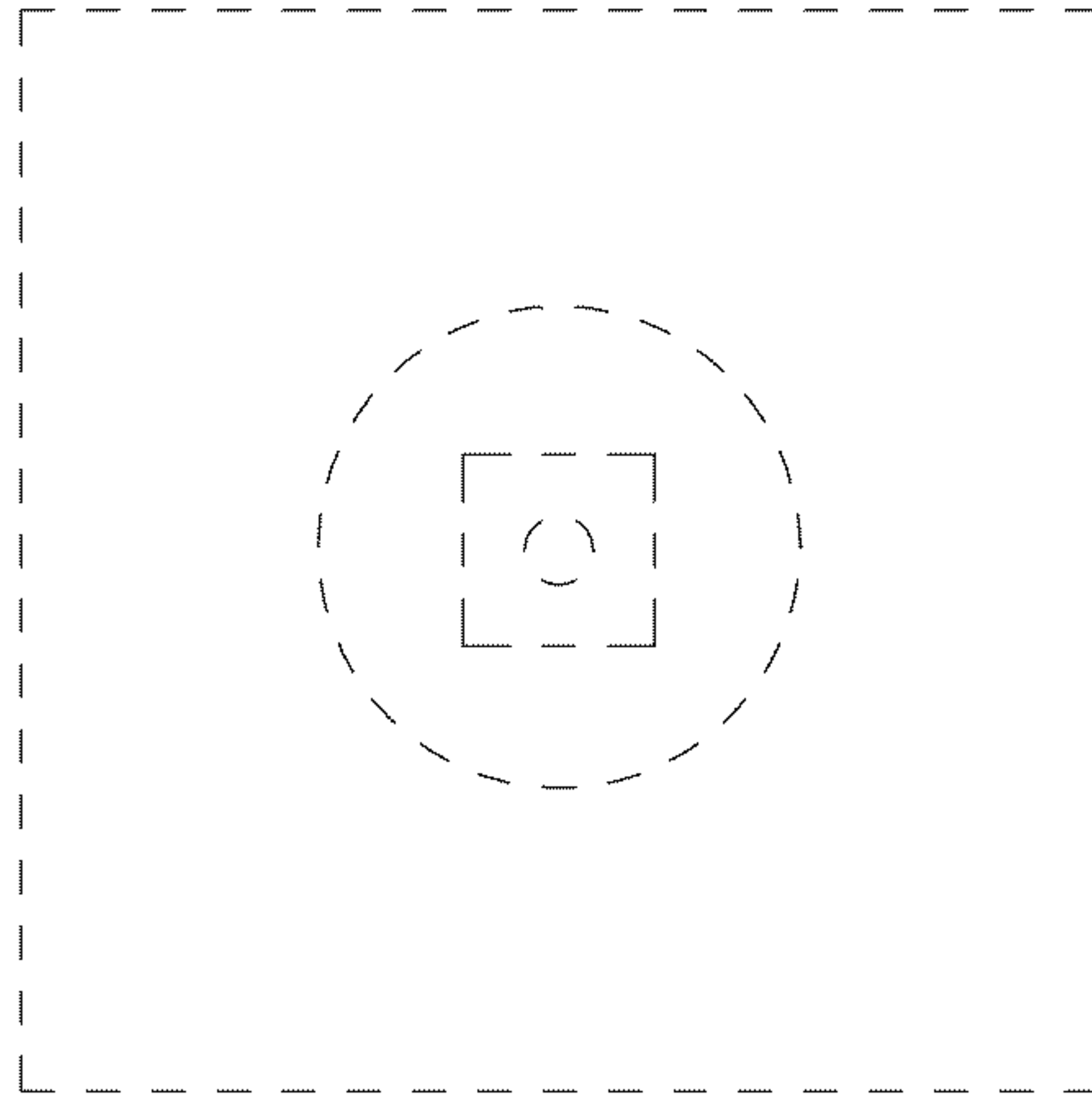


Fig. 3

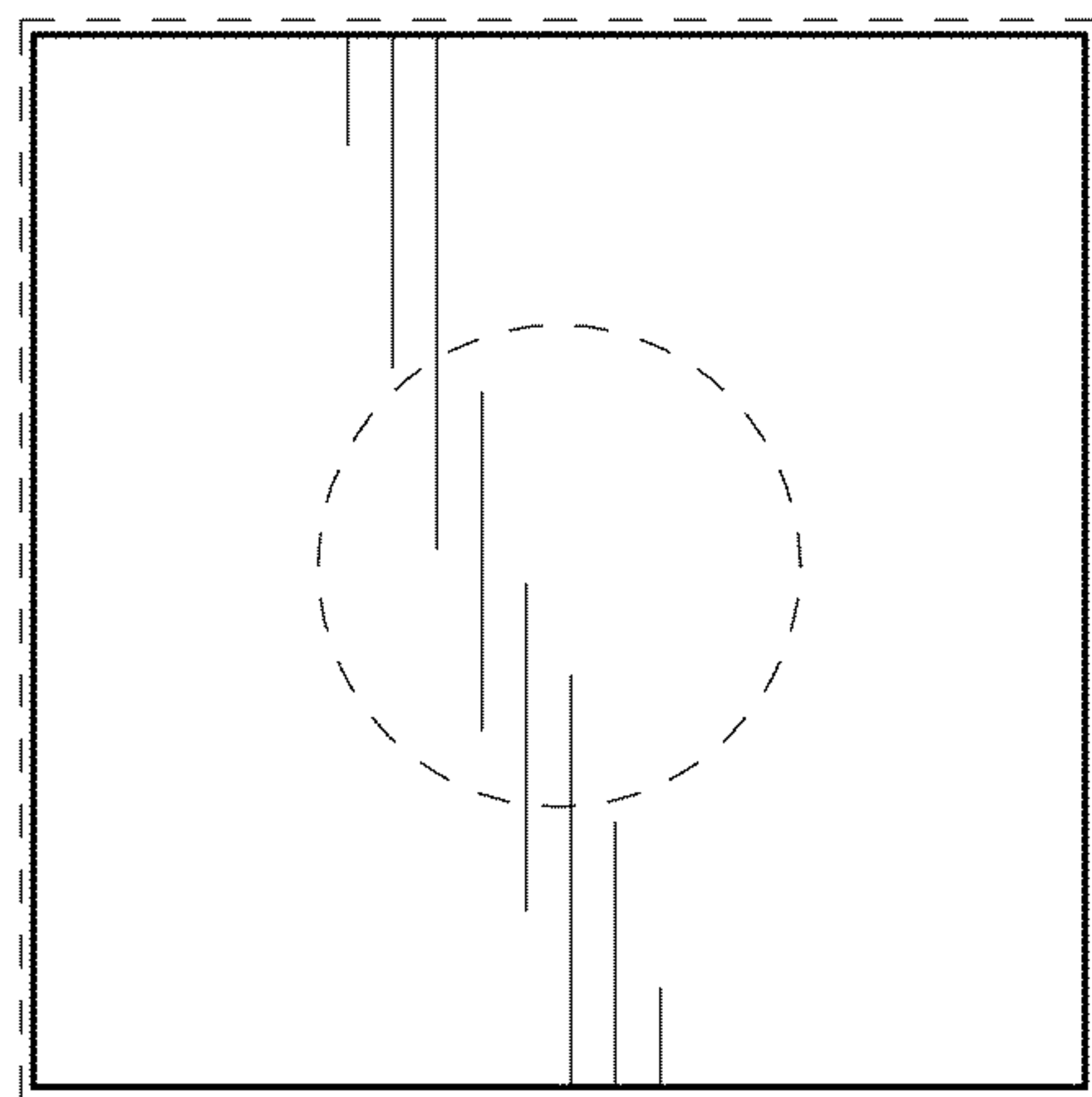


Fig. 4

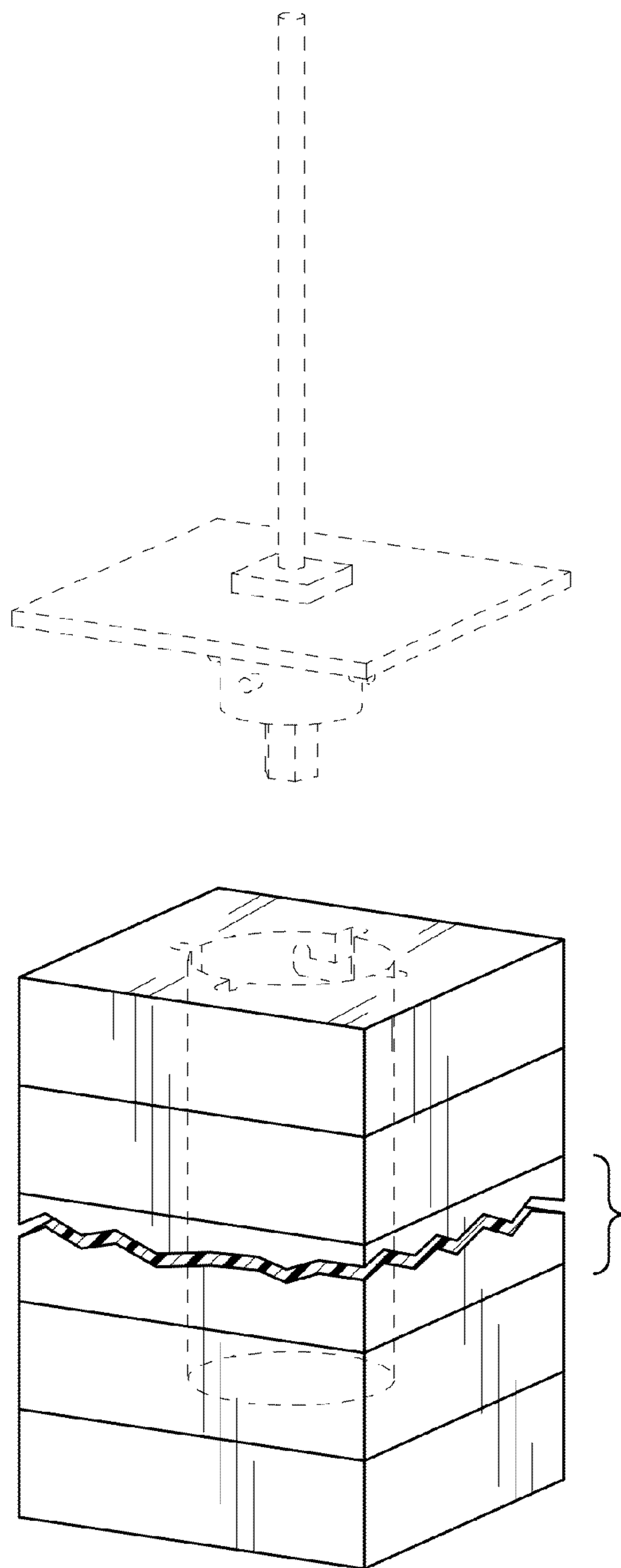


Fig. 5