



US00D684291S

(12) **United States Design Patent**
Goelz et al.

(10) **Patent No.:** **US D684,291 S**
(45) **Date of Patent:** **** Jun. 11, 2013**

(54) **MODULE ON A LIGHTING FIXTURE**

(75) Inventors: **David P. Goelz**, Milwaukee, WI (US);
Bernd R. Sieberth, Salem, WI (US);
Kurt S. Wilcox, Libertyville, IL (US)

(73) Assignee: **Cree, Inc.**, Durham, NC (US)

(**) Term: **14 Years**

(21) Appl. No.: **29/429,728**

(22) Filed: **Aug. 15, 2012**

(51) **LOC (9) Cl.** **26-05**

(52) **U.S. Cl.**
USPC **D26/74**

(58) **Field of Classification Search**
USPC D26/24, 72, 80, 81, 83, 85, 88, 89,
D26/91, 113, 118, 123, 124, 138, 74, 76;
362/145, 146, 147, 148, 150, 153, 294, 296.01,
362/296.07, 296.08, 311.07, 311.09, 311.1,
362/345, 364, 365, 366, 373

See application file for complete search history.

(56) **References Cited**

U.S. PATENT DOCUMENTS

5,055,983 A 10/1991 Hunold et al.
D326,729 S * 6/1992 Gattari D26/74

(Continued)

Primary Examiner — Angela J Lee

(74) *Attorney, Agent, or Firm* — McCracken & Frank LLC

(57) **CLAIM**

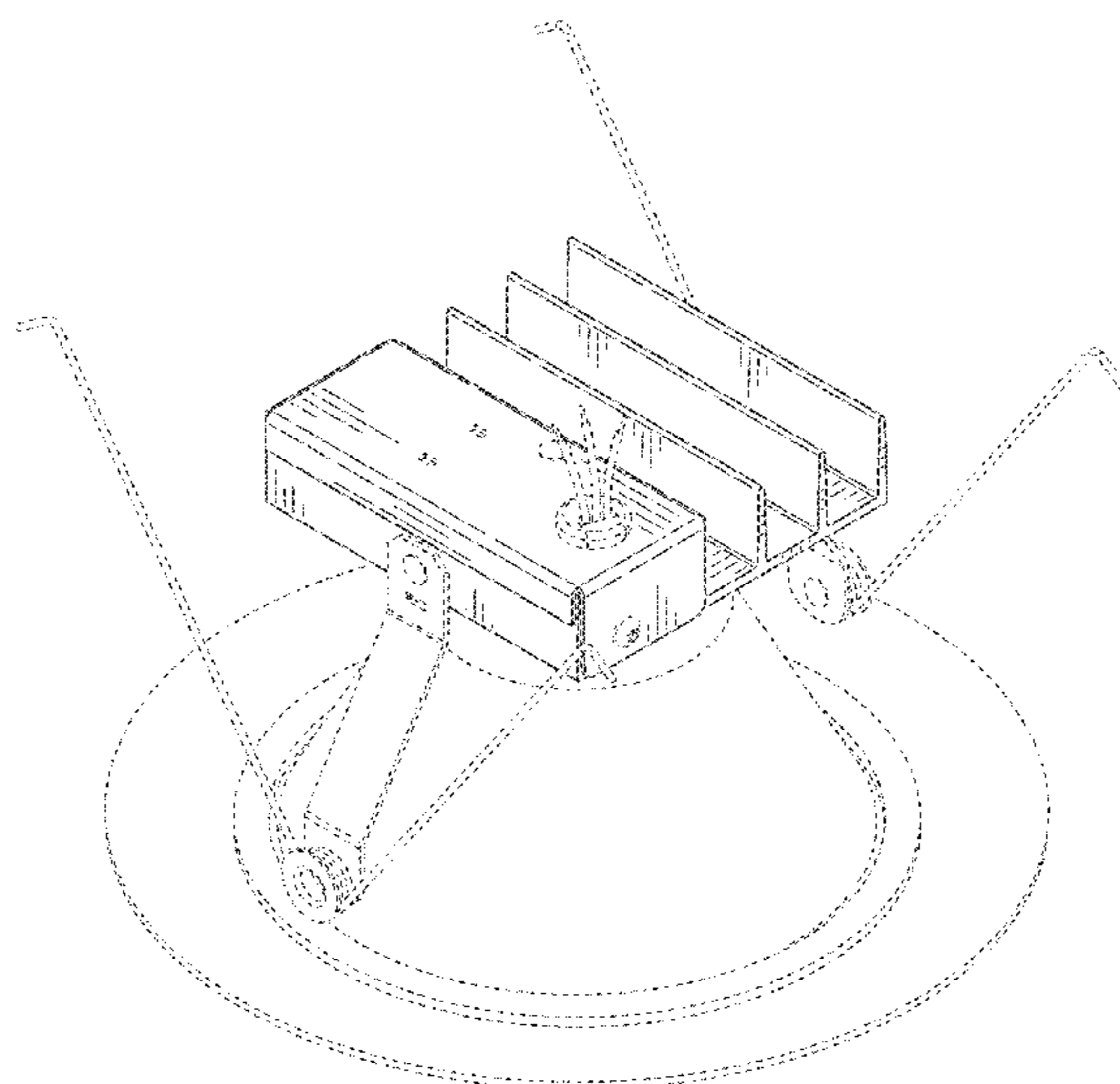
The ornamental design for a module on a lighting fixture, as shown and described.

DESCRIPTION

FIG. 1 is an isometric view of a top, front, and left side of an ornamental design for a module on a lighting fixture;

FIG. 2 is a front elevational view of the module of FIG. 1; FIG. 3 is a rear elevational view of the module of FIG. 1; FIG. 4 is a left side elevational view of the module of FIG. 1; FIG. 5 is a right side elevational view of the module of FIG. 1; FIG. 6 is a top plan view of the module of FIG. 1; FIG. 7 is a bottom plan view of the module of FIG. 1; FIG. 8 is an isometric view of a bottom, front, and left side of the module of FIG. 1; FIG. 9 is an isometric view of a top, front and left side of an ornamental design for a module on a second embodiment of a lighting fixture; FIG. 10 is a front elevational view of the module of FIG. 9; FIG. 11 is a rear elevational view of the module of FIG. 9; FIG. 12 is a left side elevational view of the module of FIG. 9; FIG. 13 is a right side elevational view of the module of FIG. 9; FIG. 14 is a top plan view of the module of FIG. 9; FIG. 15 is a bottom plan view of the module of FIG. 9; FIG. 16 is an isometric view of a bottom, front, and left side of the module of FIG. 9; FIG. 17 is an isometric view of a top, front and left side of an ornamental design for the module of FIG. 1 and FIG. 9, unattached to any lighting fixture; FIG. 18 is a front elevational view of the module of FIG. 17; FIG. 19 is a rear elevational view of the module of FIG. 17; FIG. 20 is a left side elevational view of the module of FIG. 17; FIG. 21 is a right side elevational view of the module of FIG. 17; FIG. 22 is a top plan view of the module of FIG. 17; FIG. 23 is a bottom plan view of the module of FIG. 17; and, FIG. 24 is an isometric view of a bottom, front, and left side of the module of FIG. 17.
The broken lines are for the purpose of illustrating environmental structure and form no part of the claimed design.

1 Claim, 15 Drawing Sheets



US D684,291 S

Page 2

U.S. PATENT DOCUMENTS

6,435,691	B1	8/2002	Macey et al.				
6,654,172	B2	11/2003	Pond et al.				
7,111,961	B2	9/2006	Trenchard et al.				
7,201,489	B2	4/2007	Shyu				
D544,127	S *	6/2007	Posey et al.	D26/74			
7,448,772	B2	11/2008	Hampton				
D583,980	S *	12/2008	Guercio	D26/88			
7,614,769	B2	11/2009	Sell				
D610,291	S *	2/2010	Yoshinobu et al.	D26/74			
D610,292	S *	2/2010	Yoshinobu et al.	D26/74			
7,670,021	B2	3/2010	Chou				
7,677,766	B2	3/2010	Boyer				
7,722,220	B2	5/2010	Van De Ven				
7,722,227	B2	5/2010	Zhang et al.				
D625,876	S *	10/2010	Chen et al.	D26/74			
7,862,214	B2	1/2011	Trott et al.				
D632,821	S *	2/2011	Culbert	D26/74			
D633,230	S *	2/2011	Chen	D26/24			
D636,921	S	4/2011	Van De Ven et al.				
7,950,832	B2	5/2011	Tanaka et al.				
7,959,332	B2	6/2011	Tickner et al.				
7,993,034	B2	8/2011	Wegner				
8,057,070	B2	11/2011	Negley et al.				
8,118,449	B2	2/2012	Pawelko et al.				
D656,262	S	3/2012	Yoshinobu et al.				
8,136,965	B2	3/2012	Pickard et al.				
8,142,057	B2	3/2012	Roos et al.				
8,157,422	B2	4/2012	Paik et al.				
D672,905	S *	12/2012	Kong	D26/113			
2008/0278957	A1	11/2008	Pickard et al.				
2009/0284958	A1	11/2009	Pickard et al.				
2010/0259919	A1 *	10/2010	Khazi et al.	362/84			
2010/0296272	A1	11/2010	Roos et al.				
2010/0302778	A1	12/2010	Dabiet et al.				
2011/0075411	A1	3/2011	Van De Ven et al.				
2011/0075414	A1	3/2011	Van De Ven et al.				
2011/0075422	A1	3/2011	Van De Ven et al.				
2011/0080727	A1	4/2011	Maxik et al.				
2011/0169031	A1	7/2011	Pickard et al.				
2011/0182065	A1	7/2011	Negley et al.				
2011/0222291	A1 *	9/2011	Peng	362/294			
2011/0242812	A1	10/2011	Wang				
2012/0061704	A1	3/2012	Jeong et al.				
2012/0069545	A1	3/2012	Choi et al.				
2012/0081903	A1	4/2012	Leung et al.				
2012/0081904	A1	4/2012	Horng				
2012/0087137	A1	4/2012	Lay et al.				
2012/0212957	A1 *	8/2012	Hyun et al.	362/241			

* cited by examiner

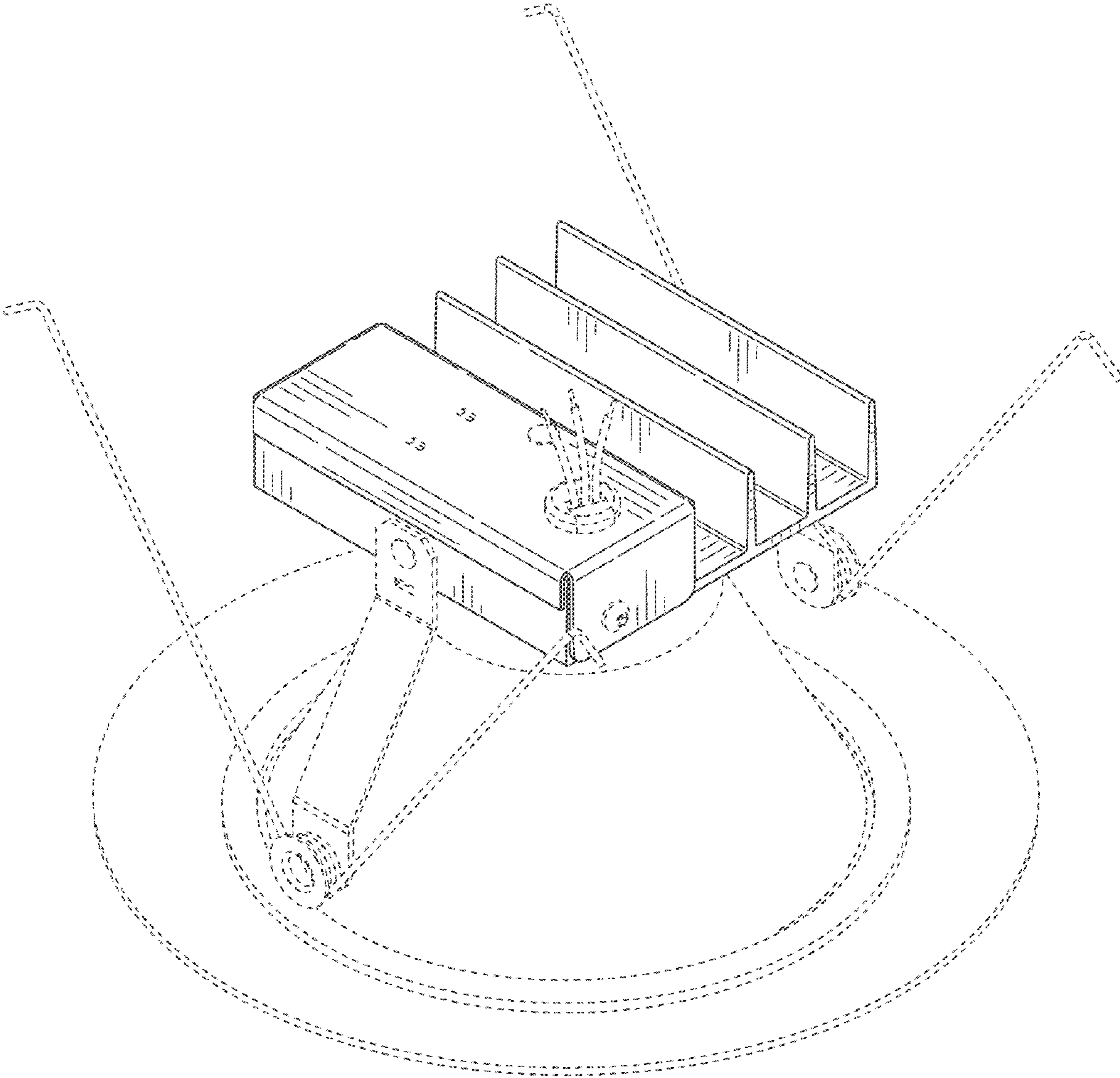


FIG. 1

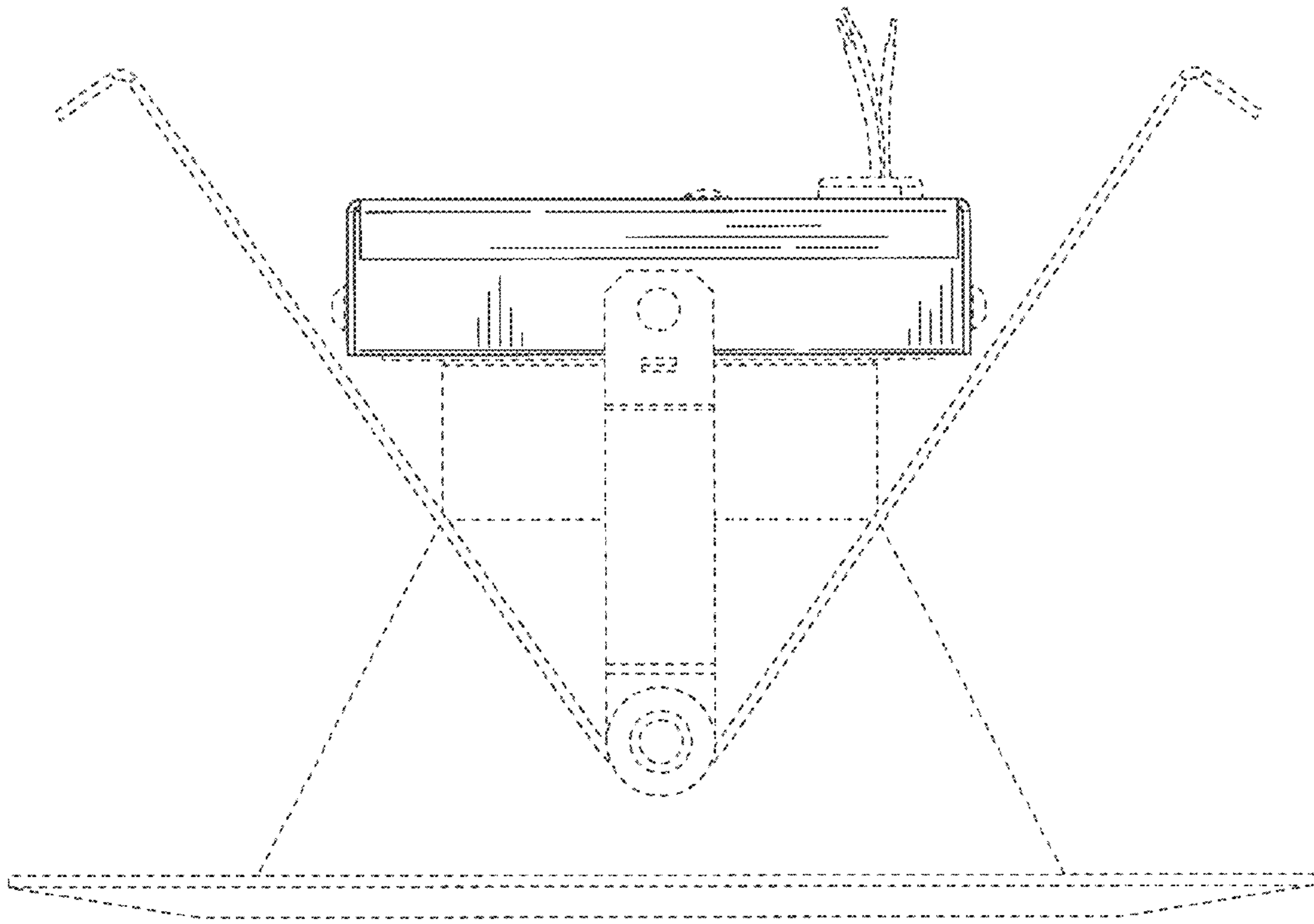


FIG. 2

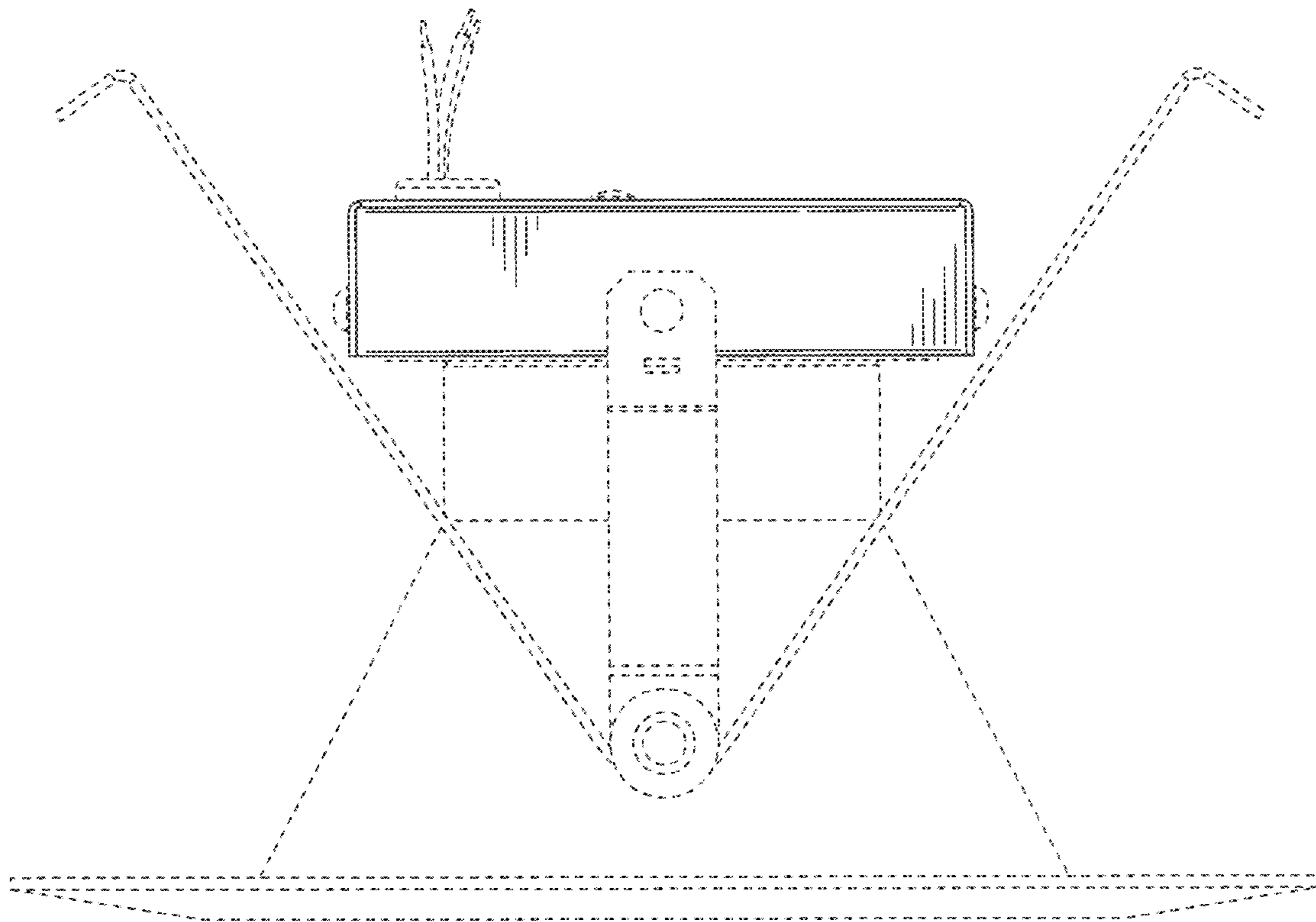


FIG. 3

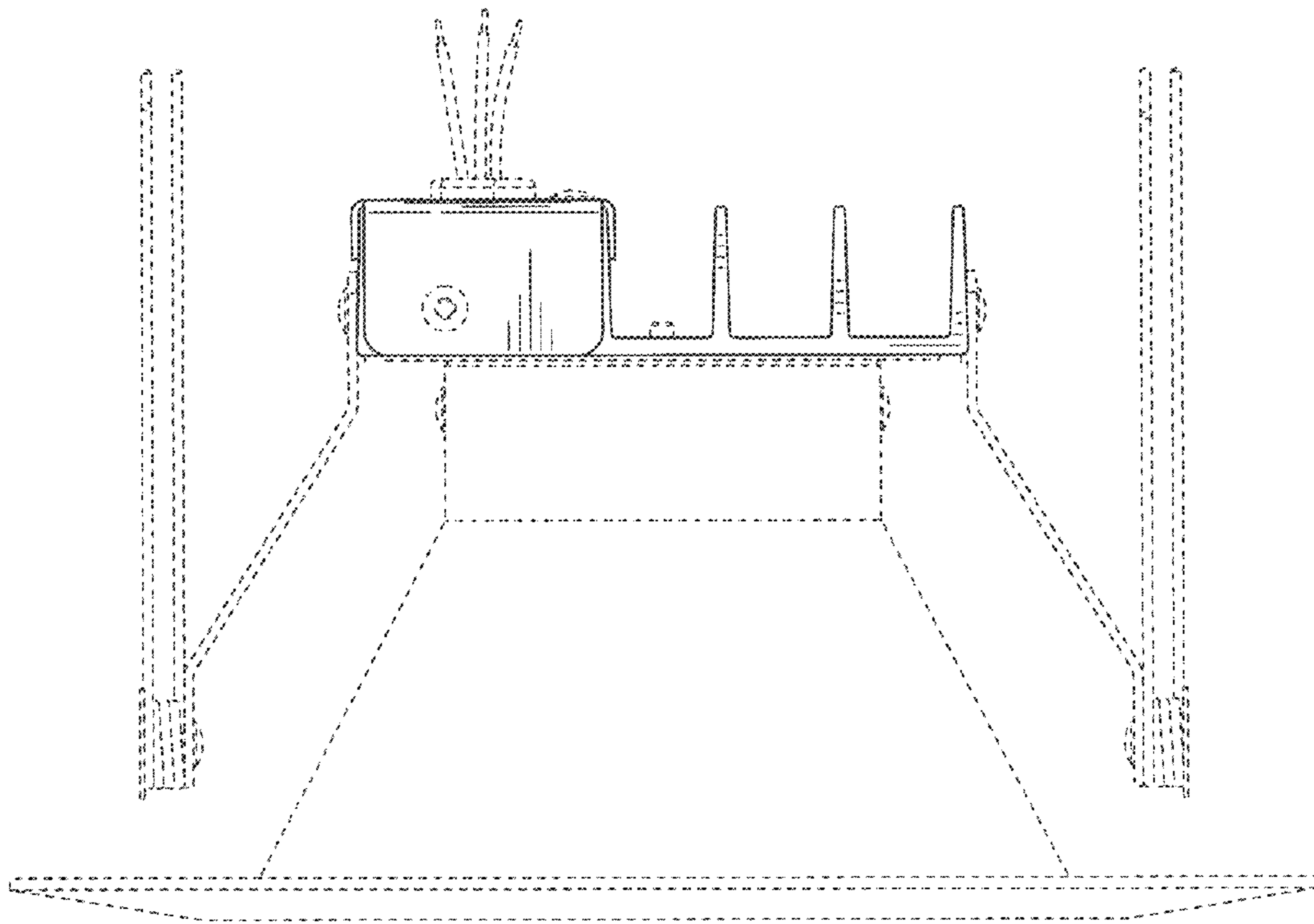


FIG. 4

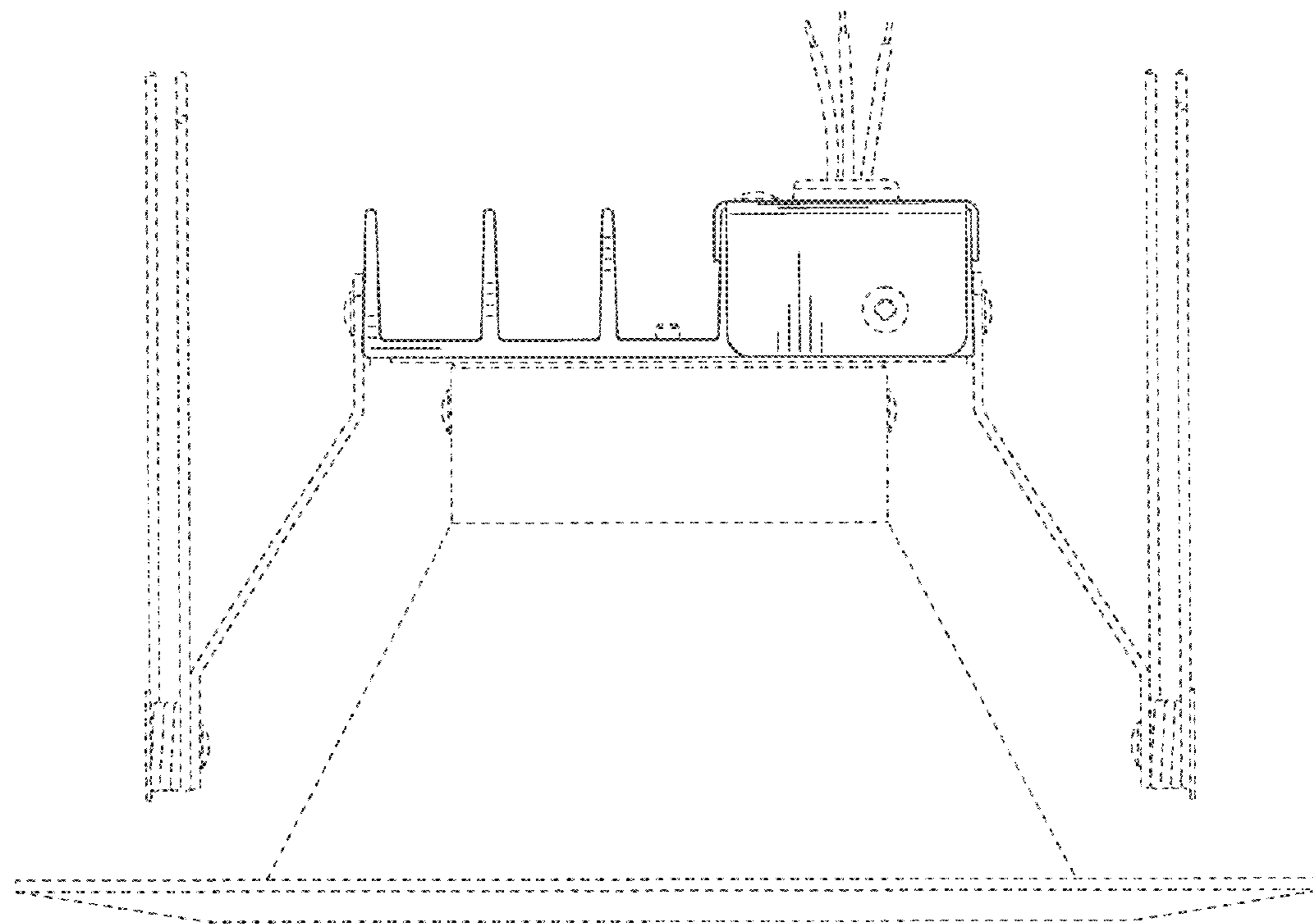


FIG. 5

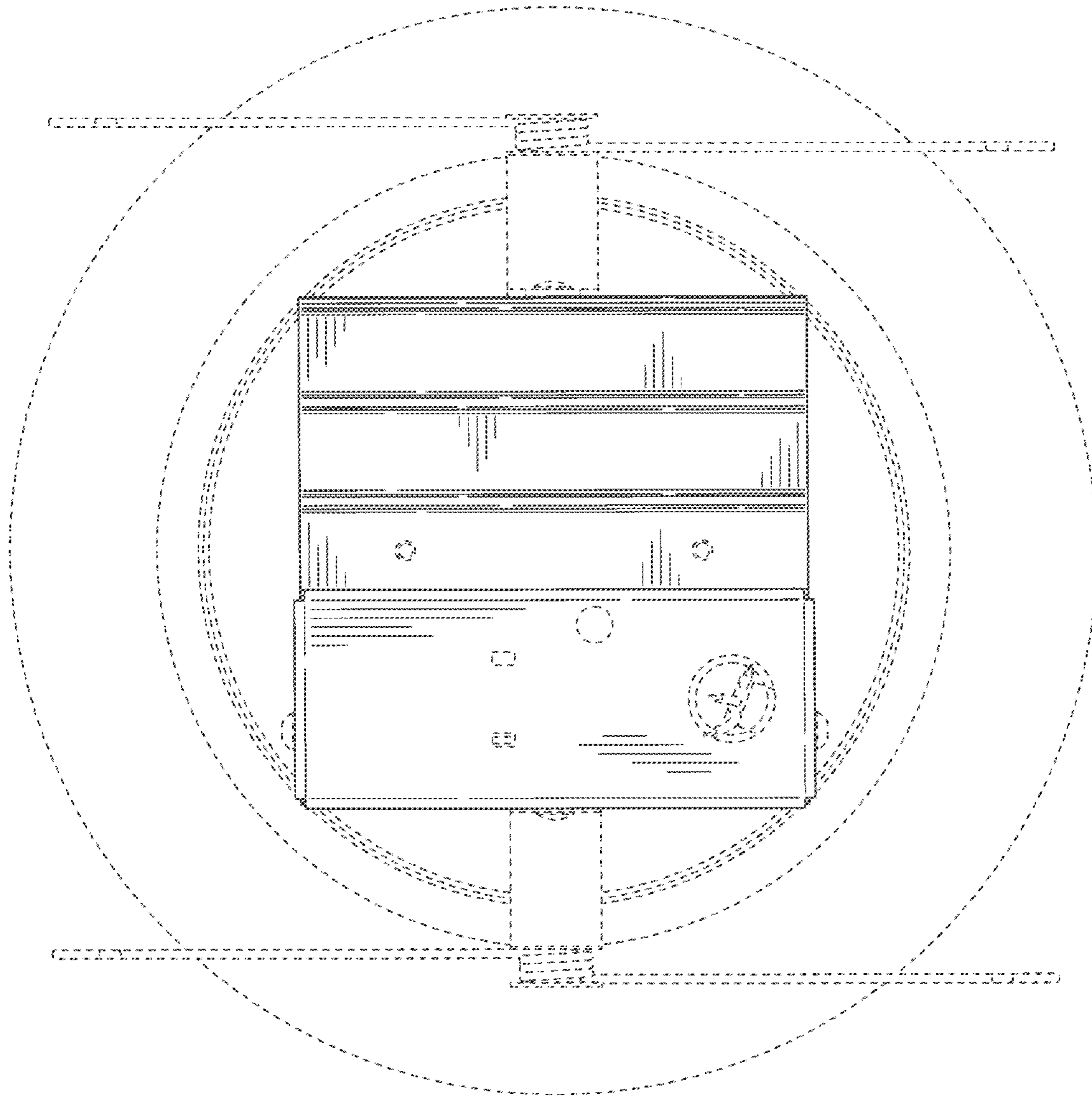


FIG. 6

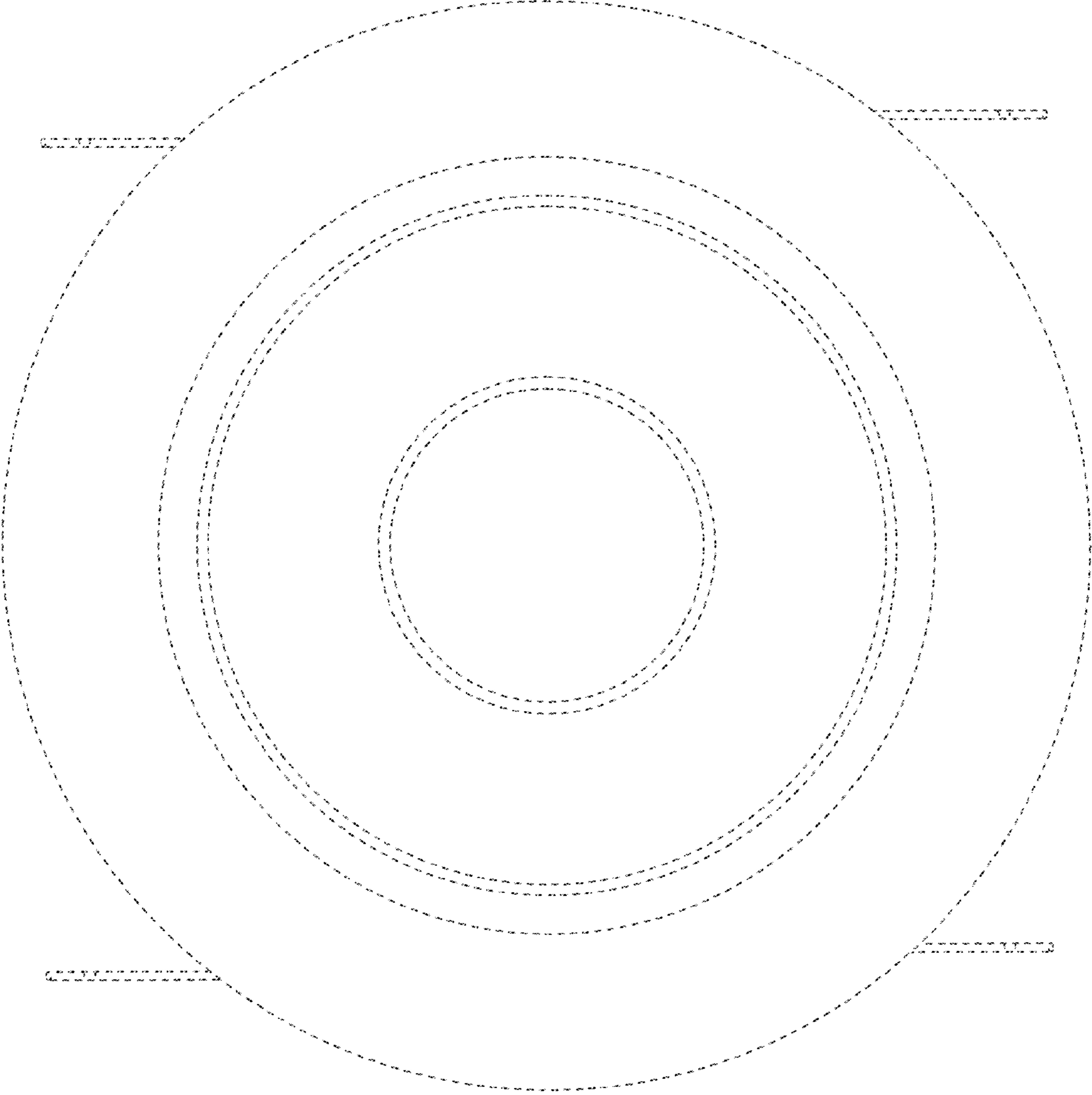


FIG. 7

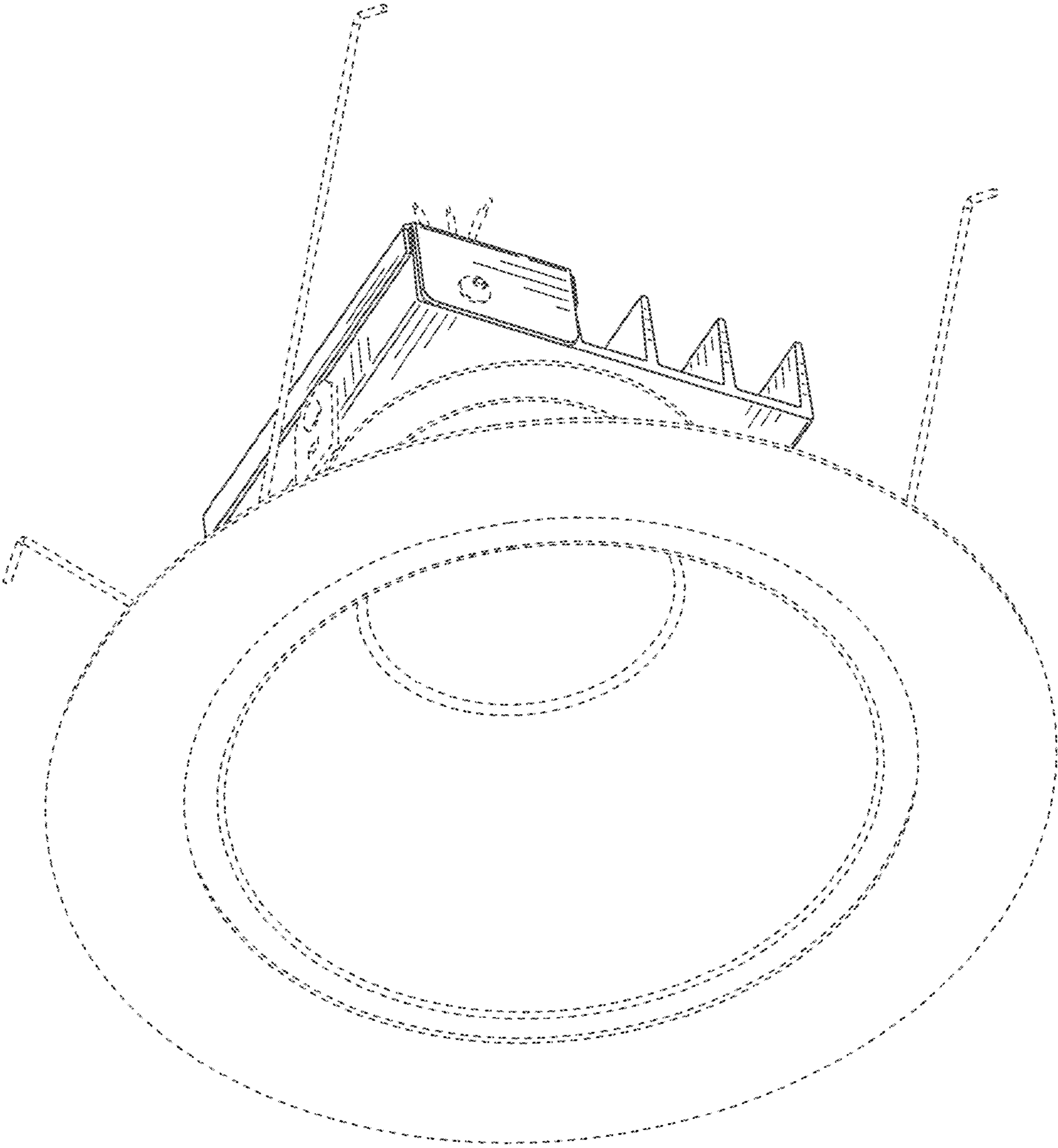


FIG. 8

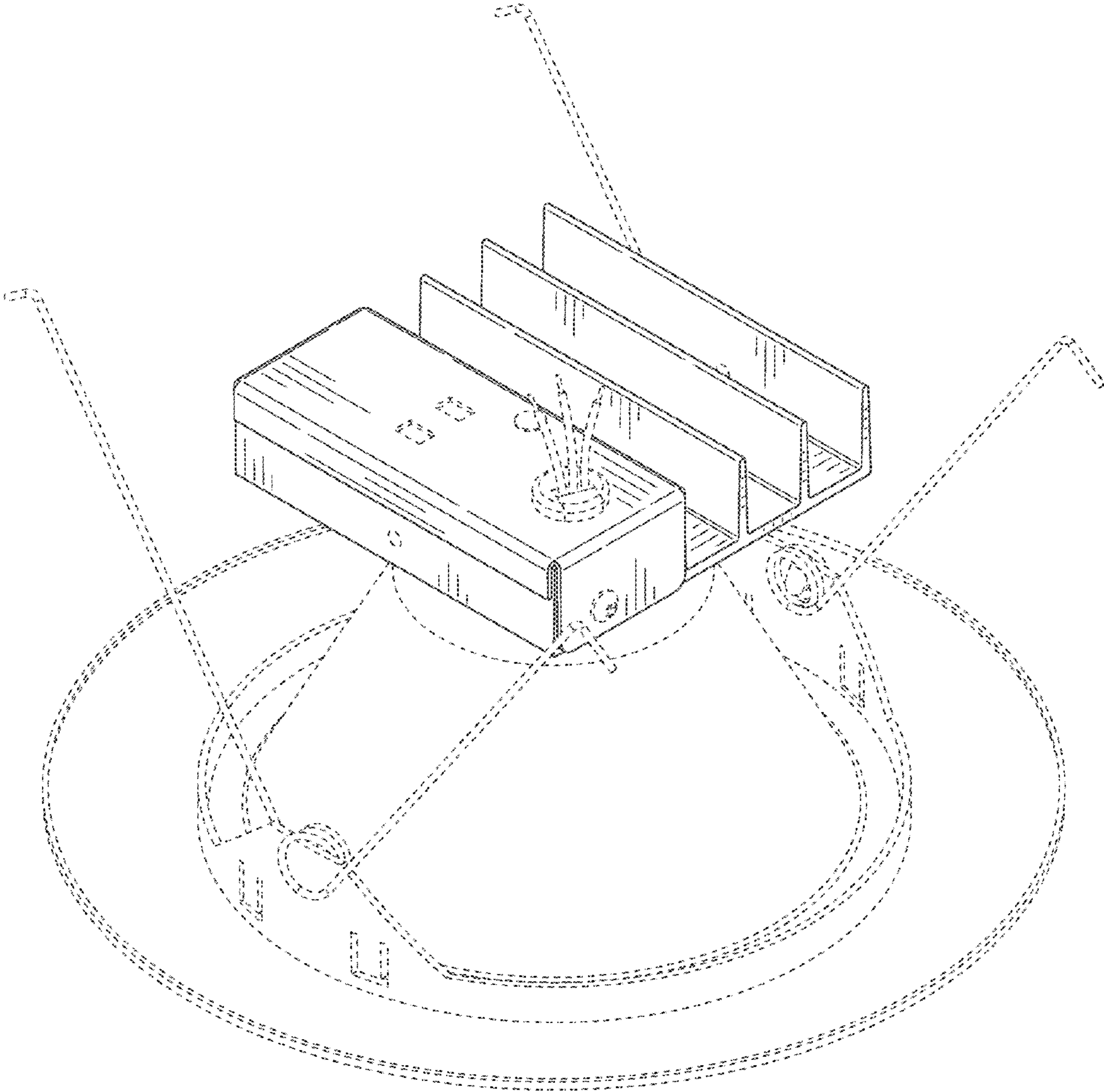


FIG. 9

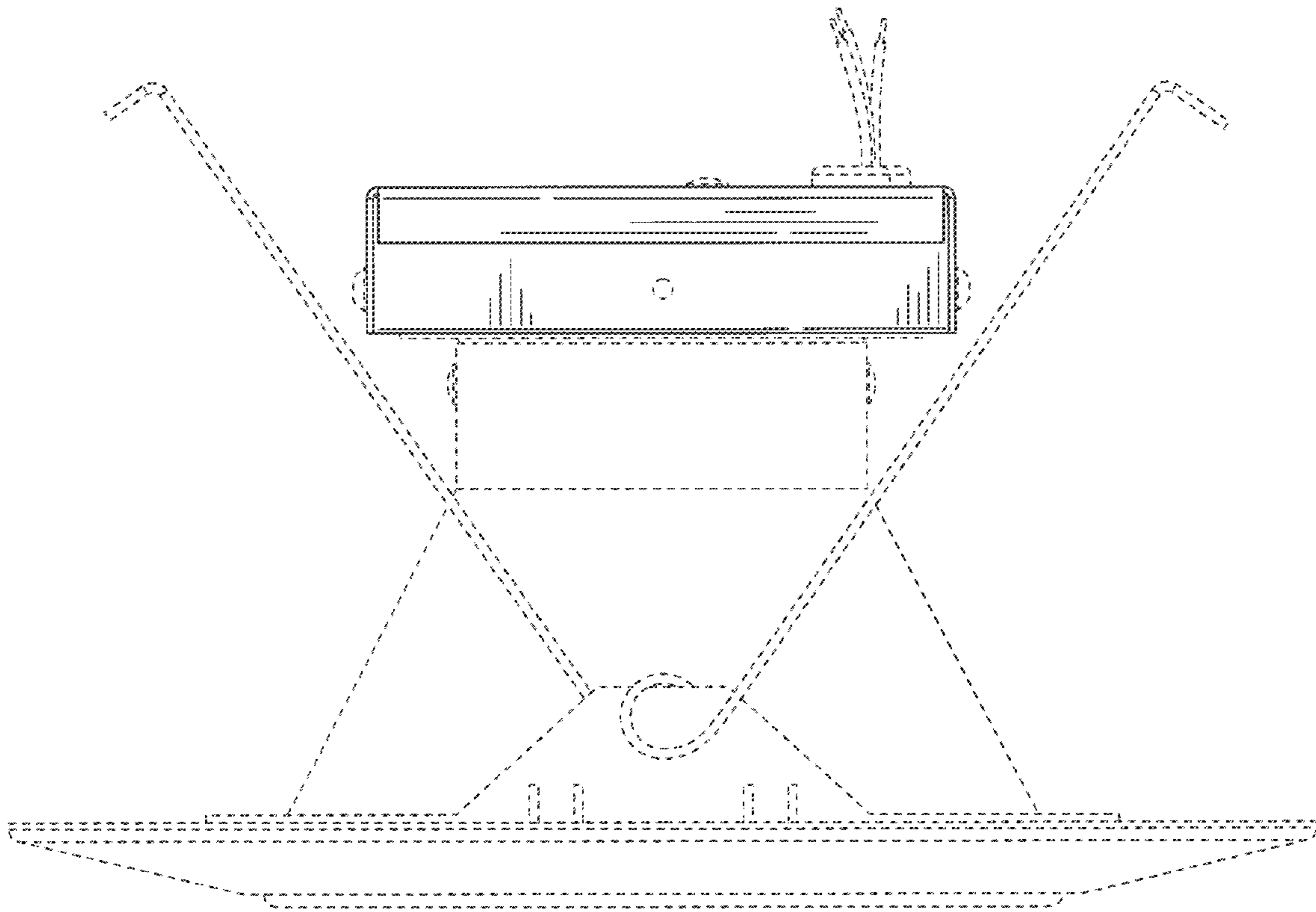


FIG. 10

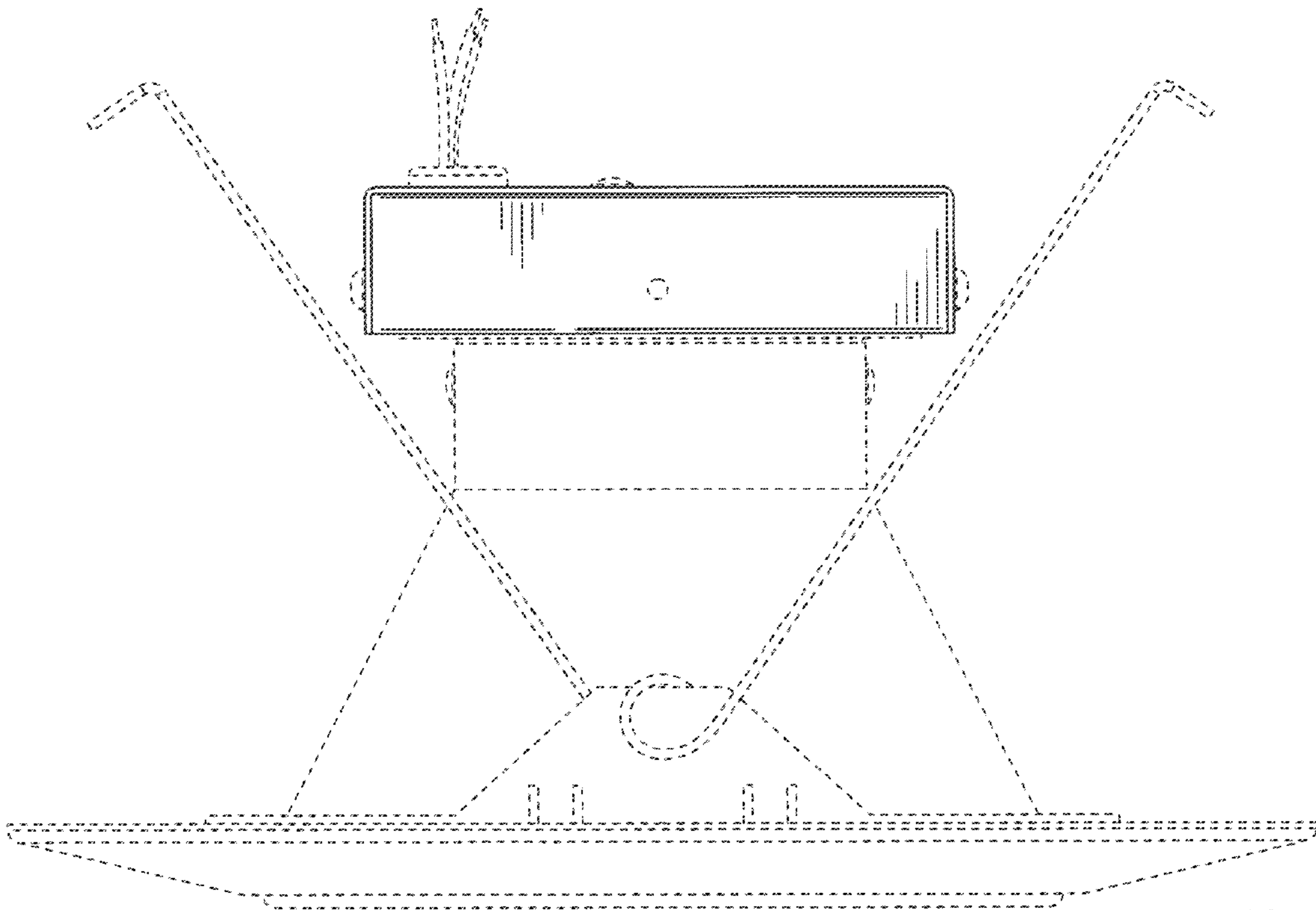


FIG. 11

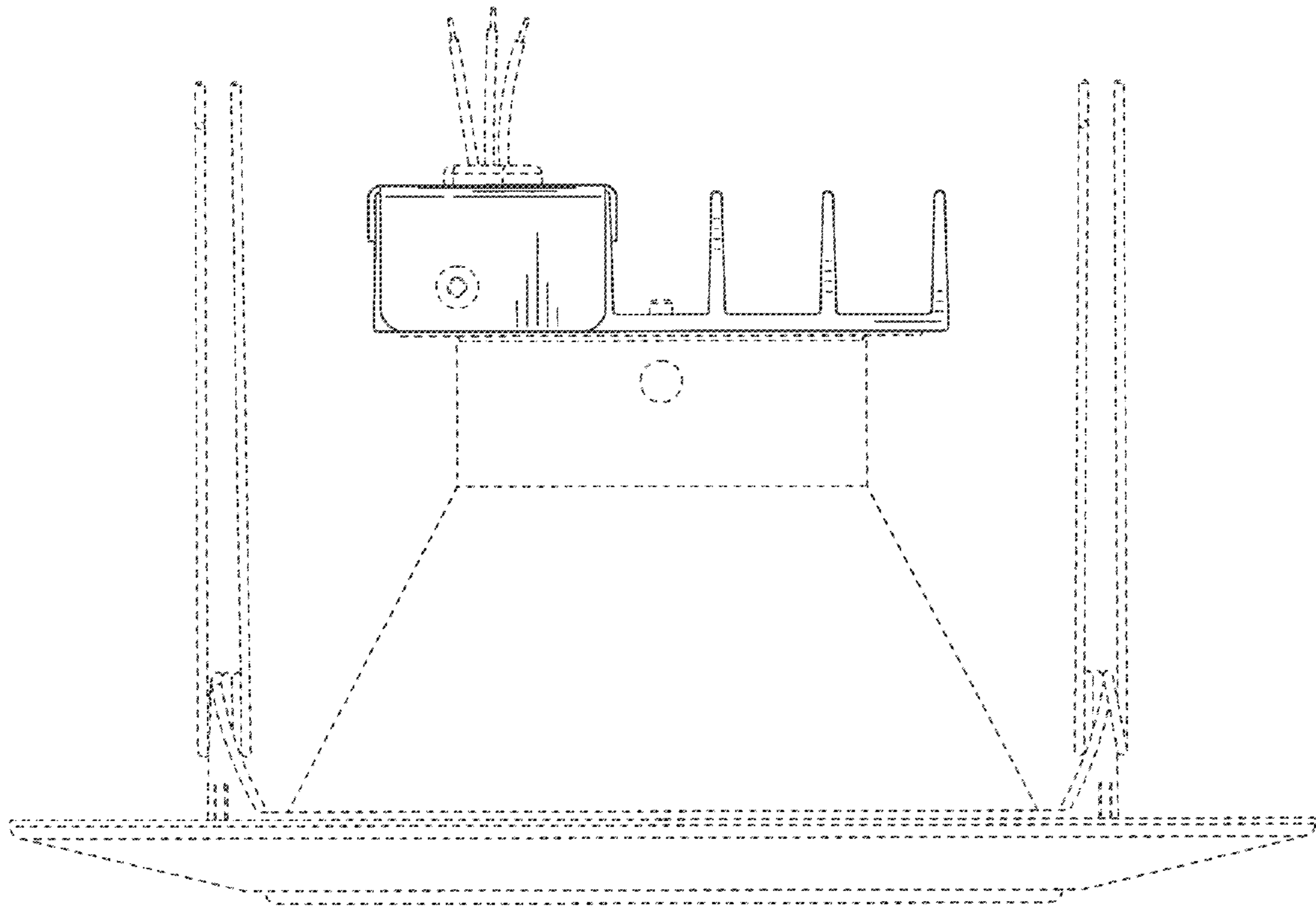


FIG. 12

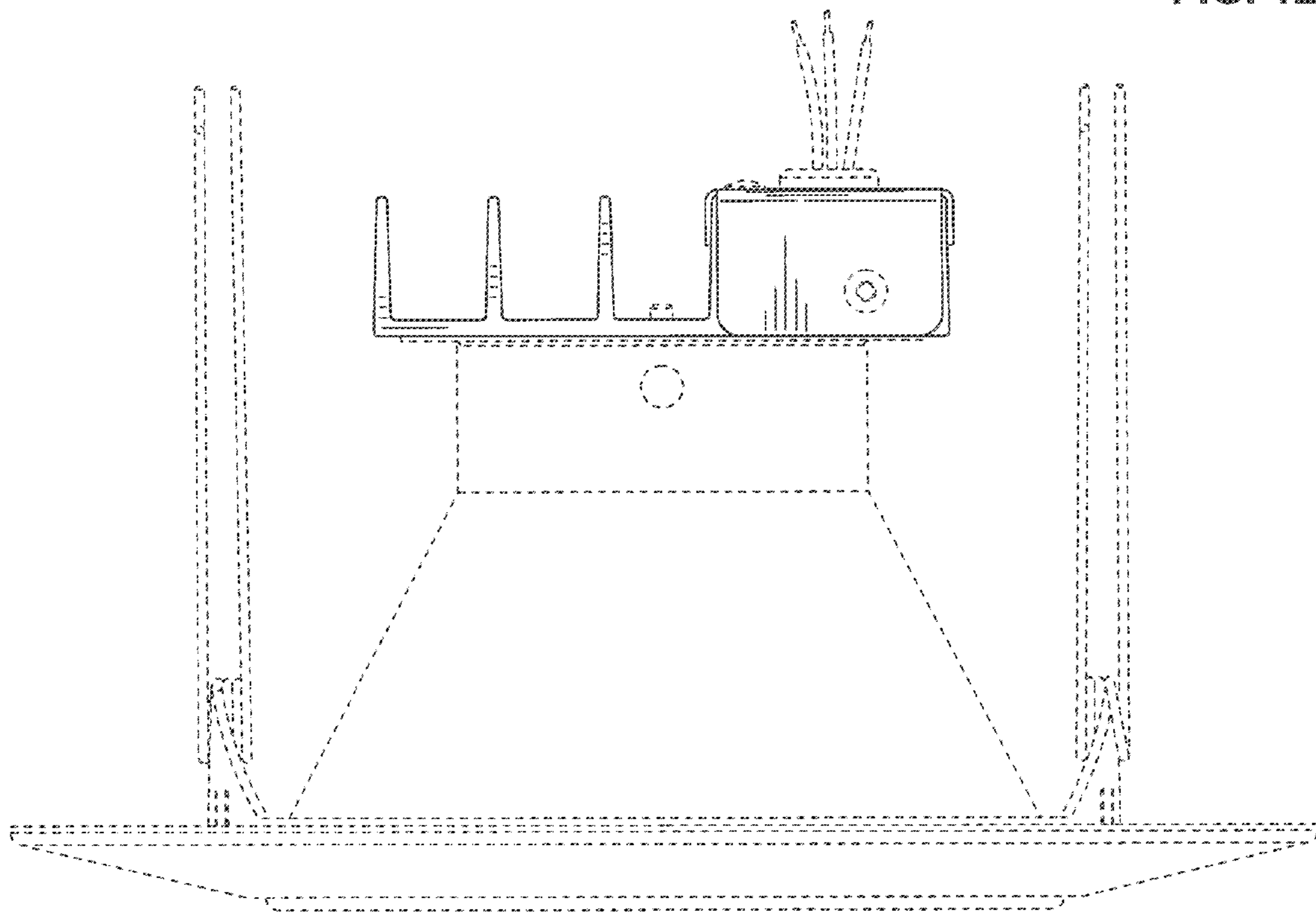


FIG. 13

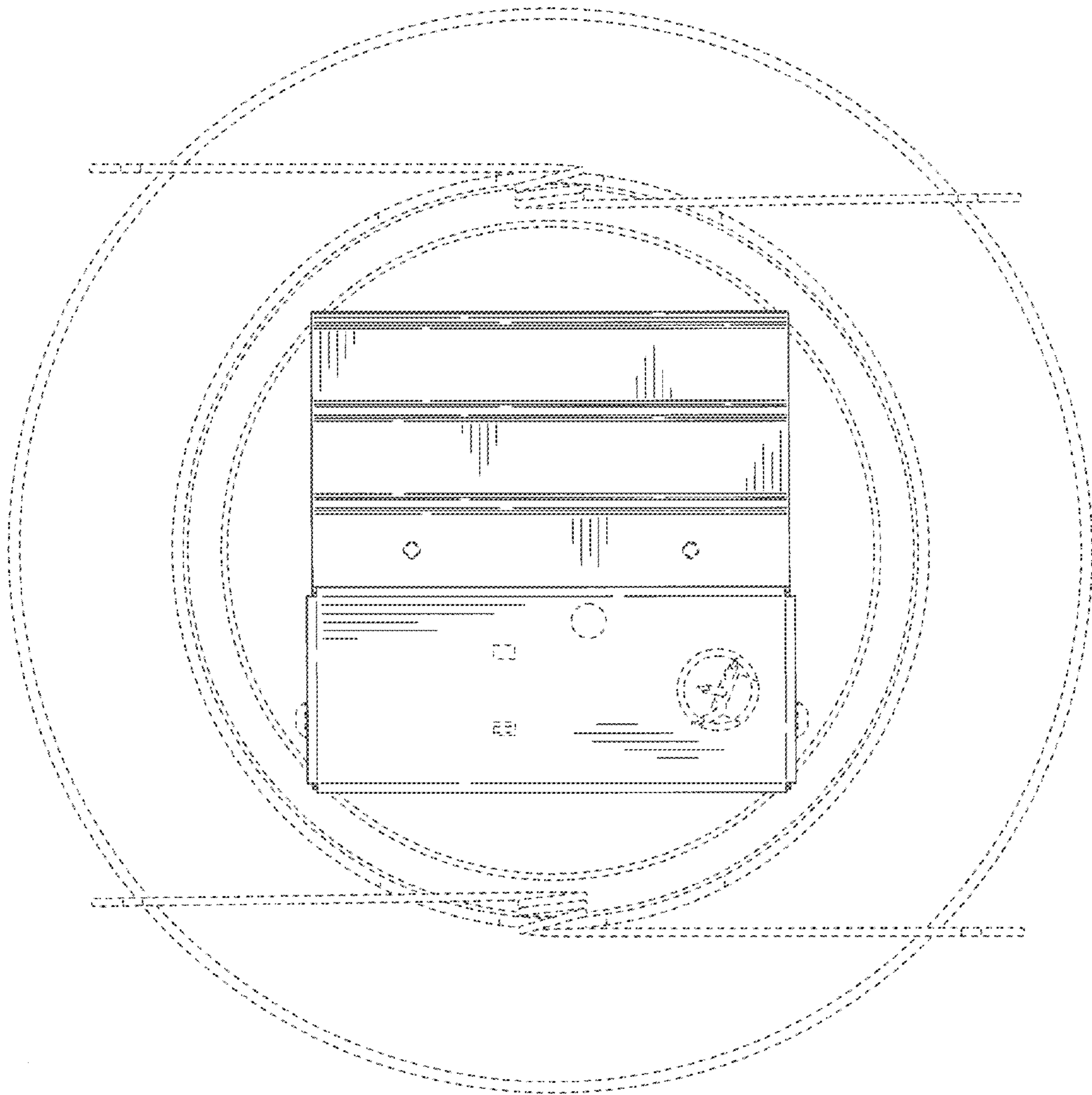


FIG. 14

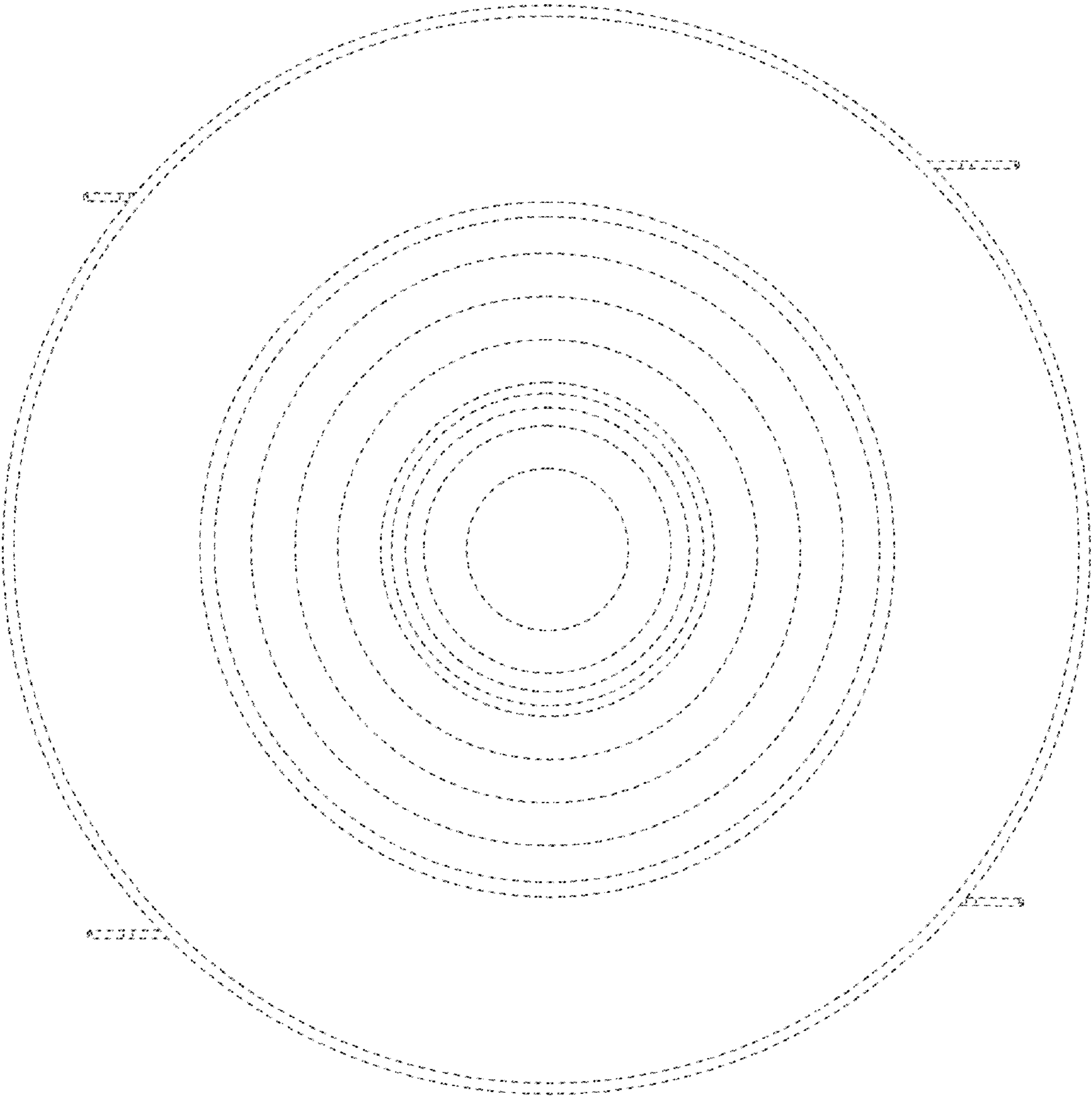


FIG. 15

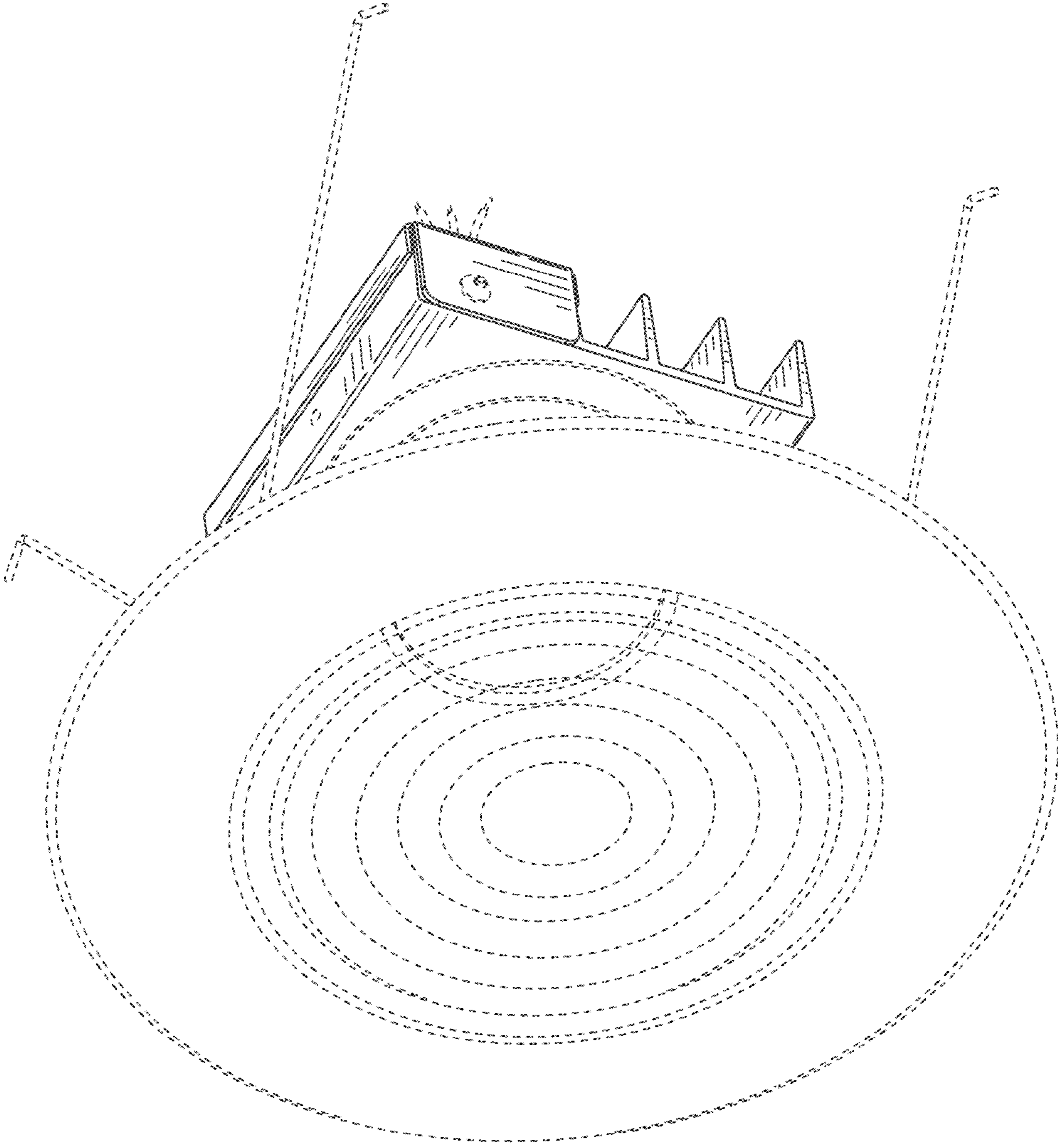


FIG. 16

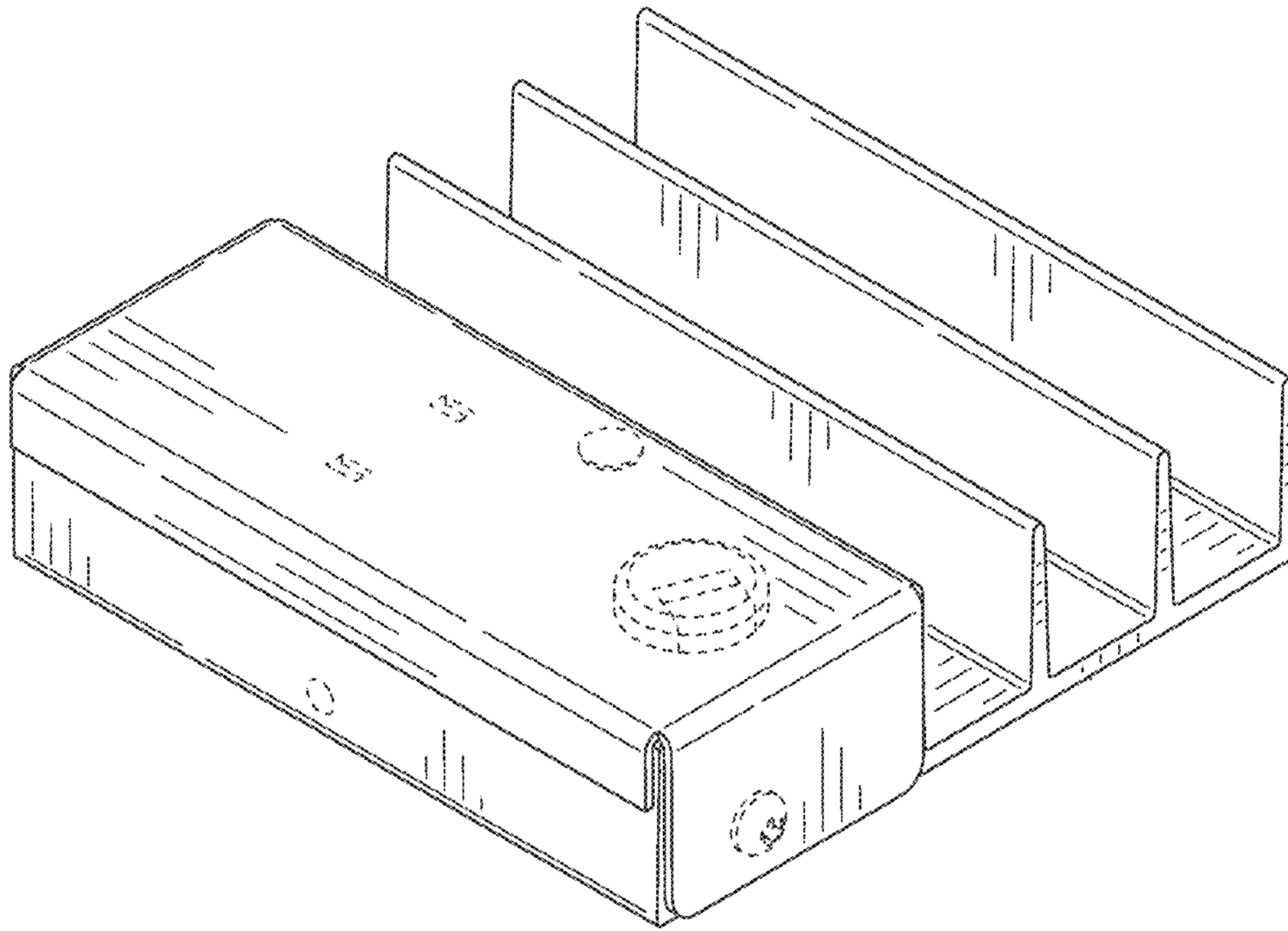


FIG. 17

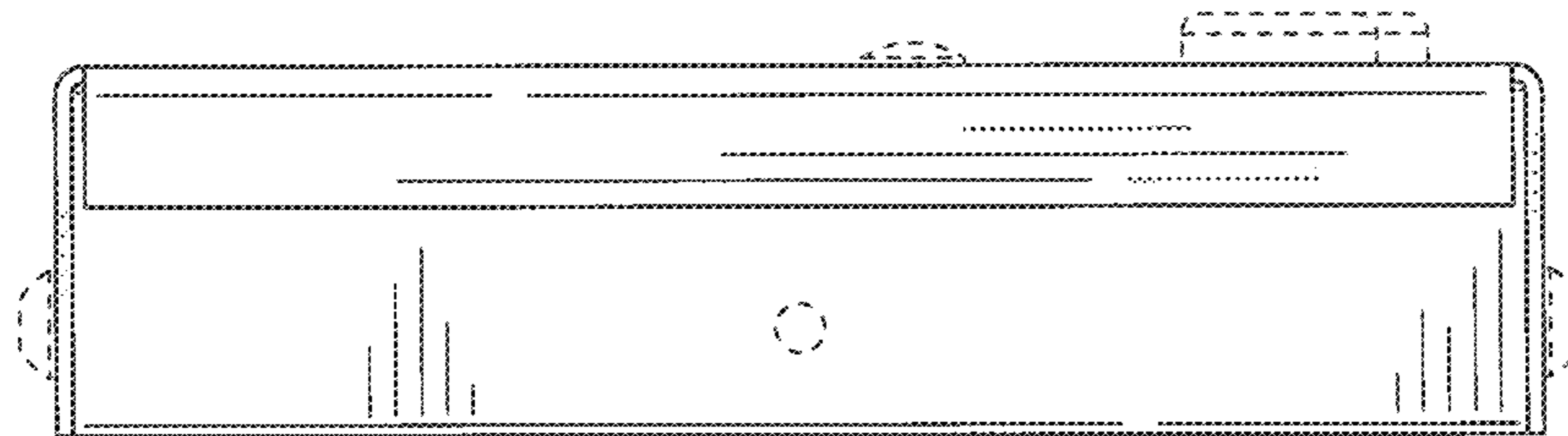


FIG. 18

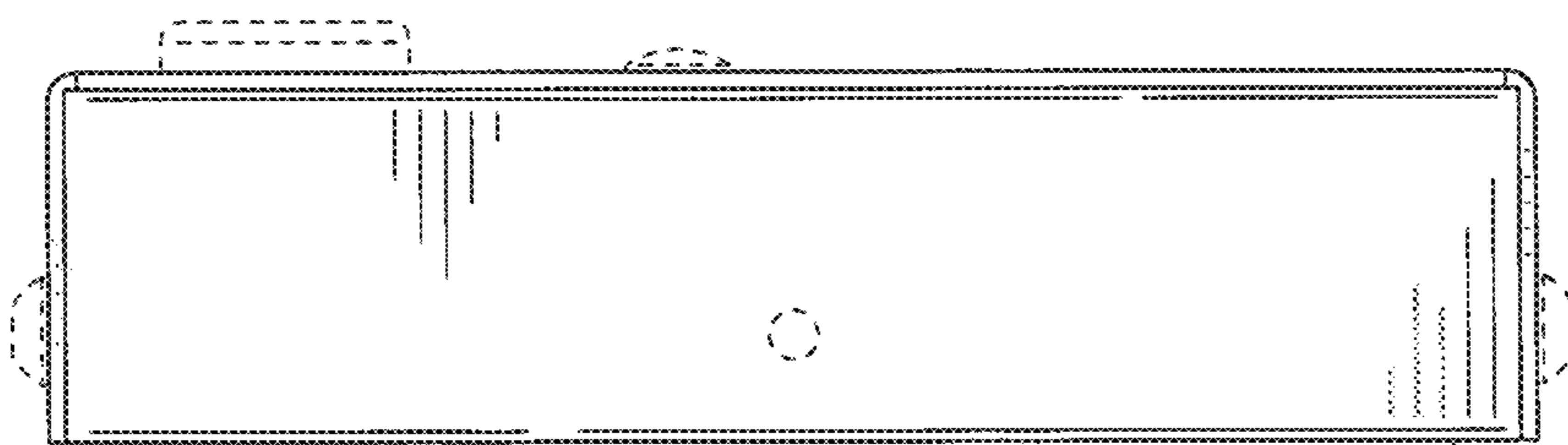


FIG. 19

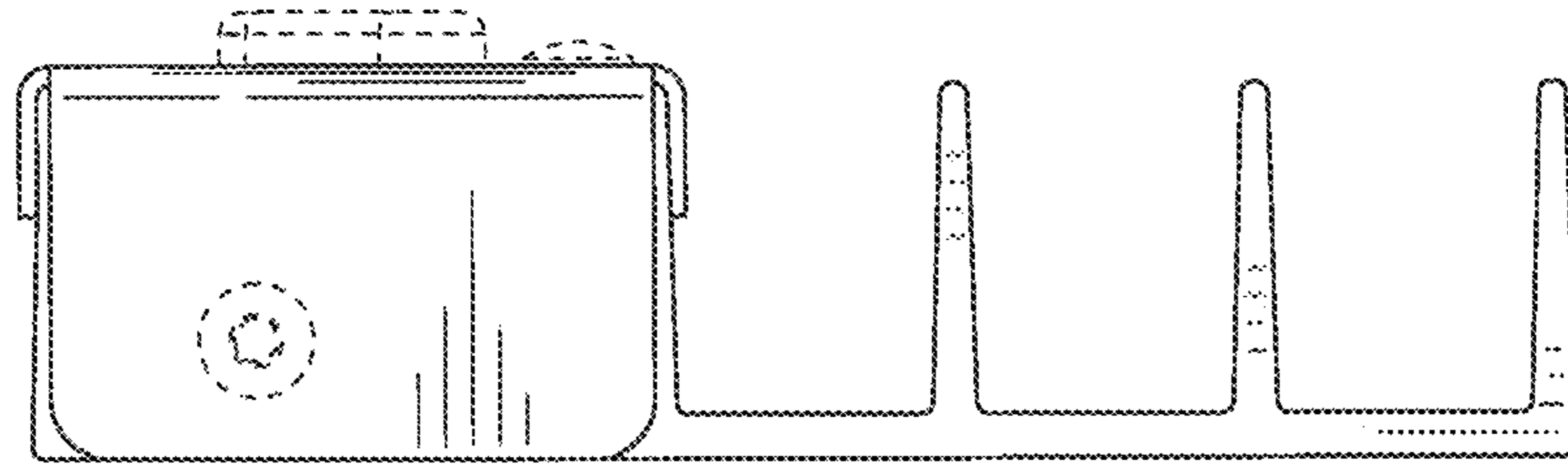


FIG. 20

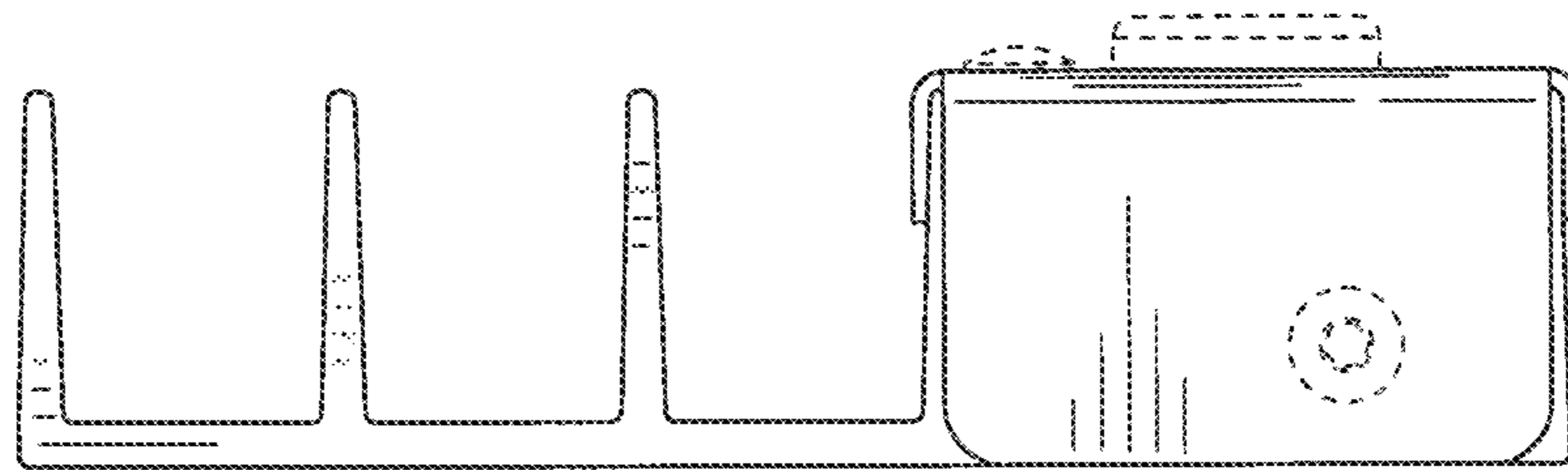


FIG. 21

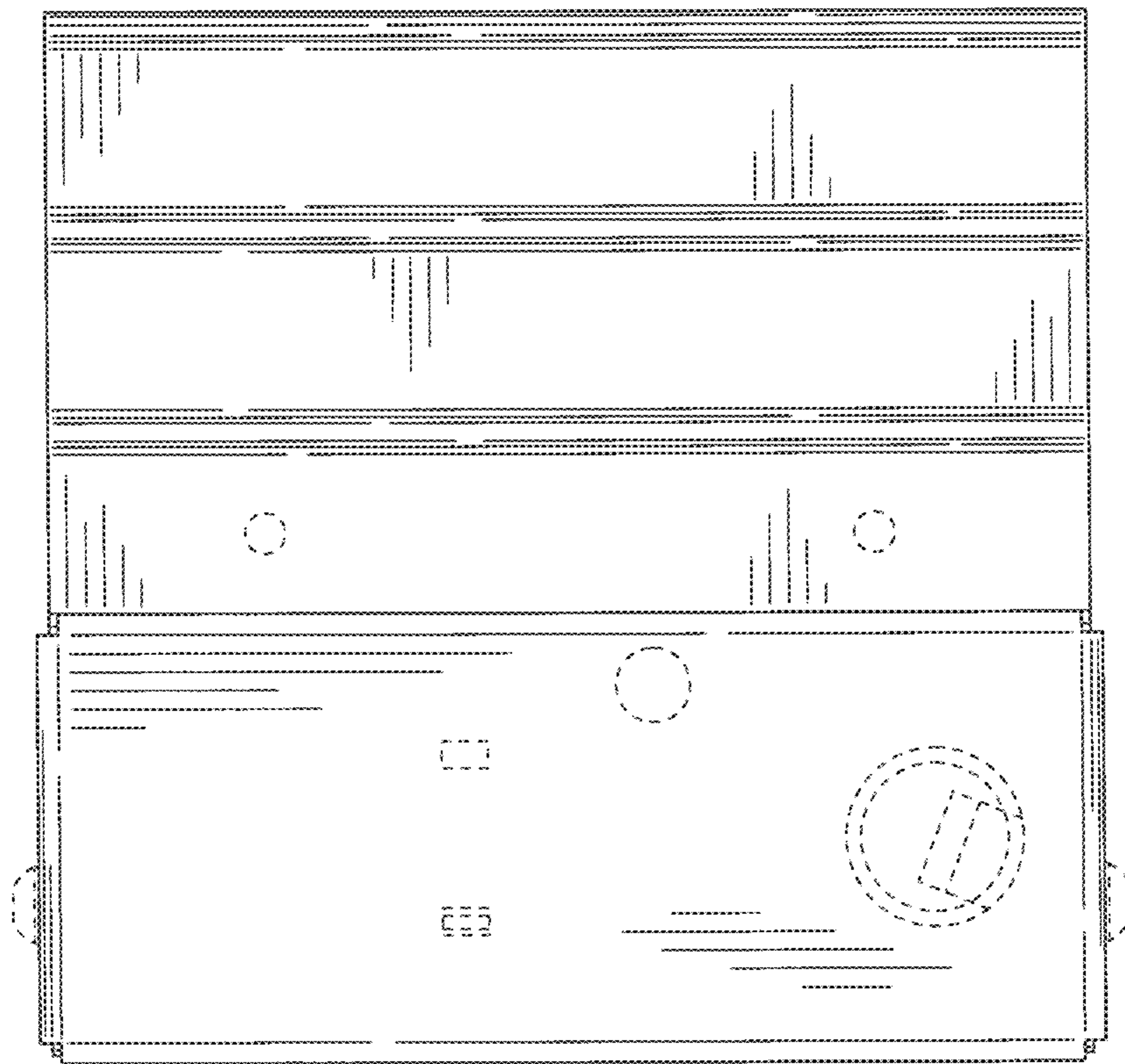


FIG. 22

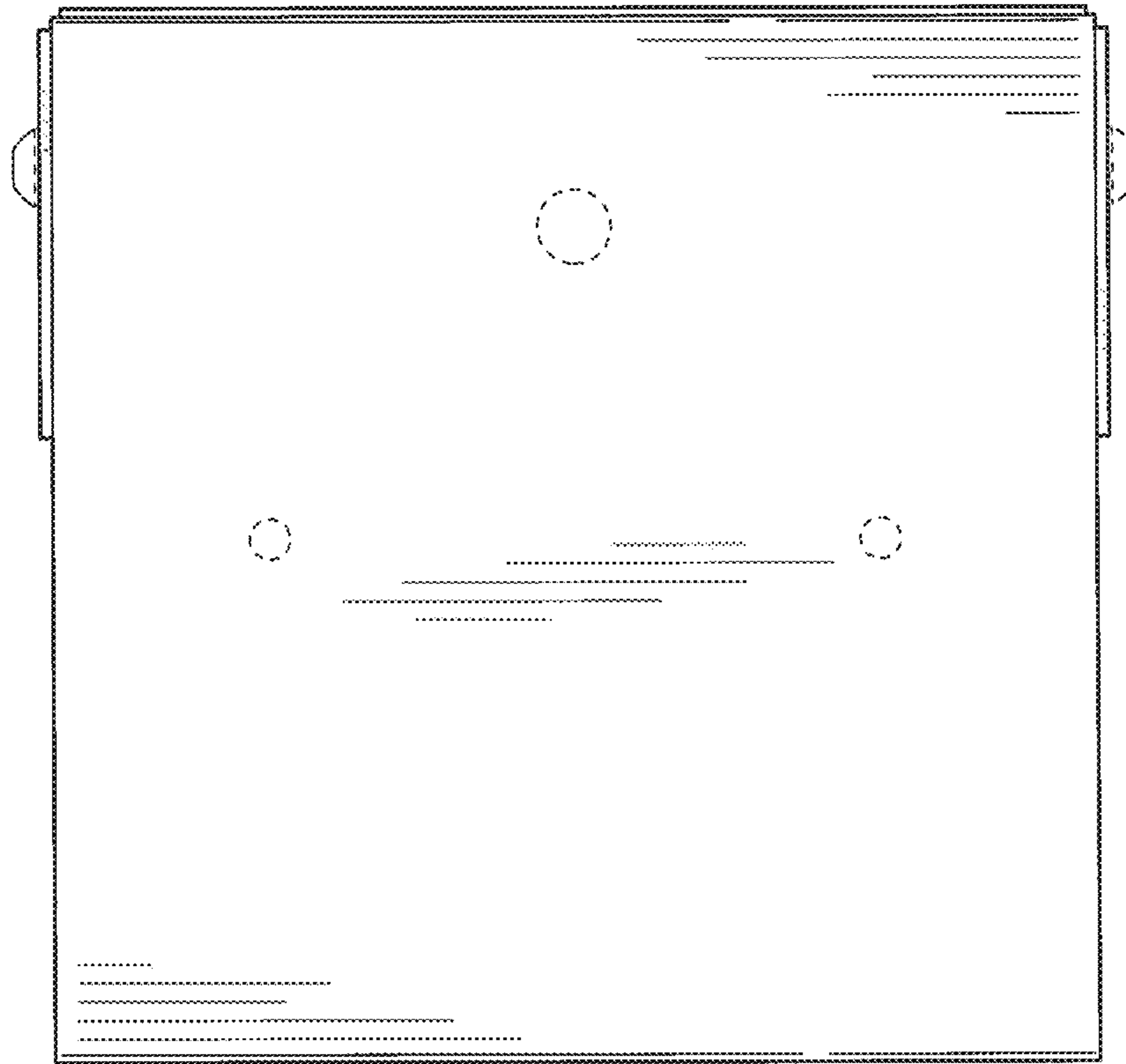


FIG. 23

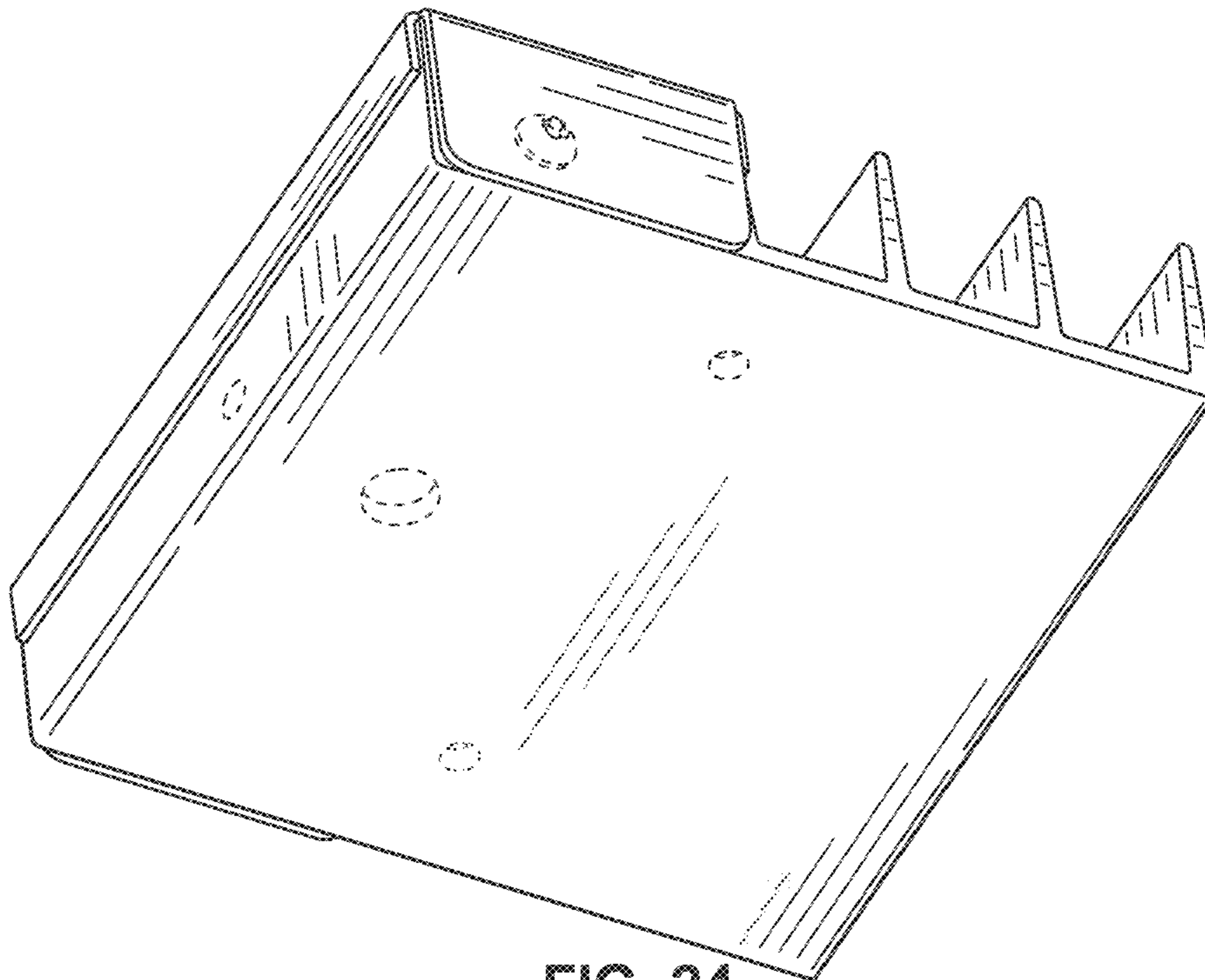


FIG. 24