



US00D684288S

(12) **United States Design Patent**
Gielen

(10) **Patent No.:** **US D684,288 S**
(45) **Date of Patent:** **** Jun. 11, 2013**

(54) **LUMINAIRE**

(75) Inventor: **Wim Gielen**, Antwerp (BE)

(73) Assignee: **Koninklijke Philips Electronics N.V.**,
Eindhoven (NL)

(**) Term: **14 Years**

(21) Appl. No.: **29/402,904**

(22) Filed: **Sep. 29, 2011**

(30) **Foreign Application Priority Data**

Apr. 1, 2011 (EM) 001844309-0001

(51) **LOC (9) Cl.** **26-05**

(52) **U.S. Cl.**
USPC **D26/74**

(58) **Field of Classification Search**

USPC D26/24, 72, 80, 81, 83, 85, 88, 89,
D26/91, 113, 118, 123, 124, 138, 74, 76;
362/145, 146, 147, 148, 150, 153, 294, 296.01,
362/296.07, 296.08, 311.07, 311.09, 311.1,
362/345, 364, 365, 366, 373

See application file for complete search history.

(56) **References Cited**

U.S. PATENT DOCUMENTS

D474,300	S	*	5/2003	Lecluze	D26/74
D488,251	S	*	4/2004	Benghozi	D26/118
D544,979	S	*	6/2007	Hartmann et al.	D26/74
D551,384	S	*	9/2007	Rashidi	D26/118
D579,602	S	*	10/2008	Gotz-Schafer	D26/86
D591,894	S	*	5/2009	Flank	D26/74
D601,739	S	*	10/2009	Chan et al.	D26/74
D609,840	S	*	2/2010	Tang	D26/74
D625,876	S	*	10/2010	Chen et al.	D26/74
D640,820	S	*	6/2011	Hopper	D26/74
D656,263	S	*	3/2012	Ogawa et al.	D26/74
D665,117	S	*	8/2012	Yoshida et al.	D26/74
D668,372	S	*	10/2012	Renshaw et al.	D26/74

* cited by examiner

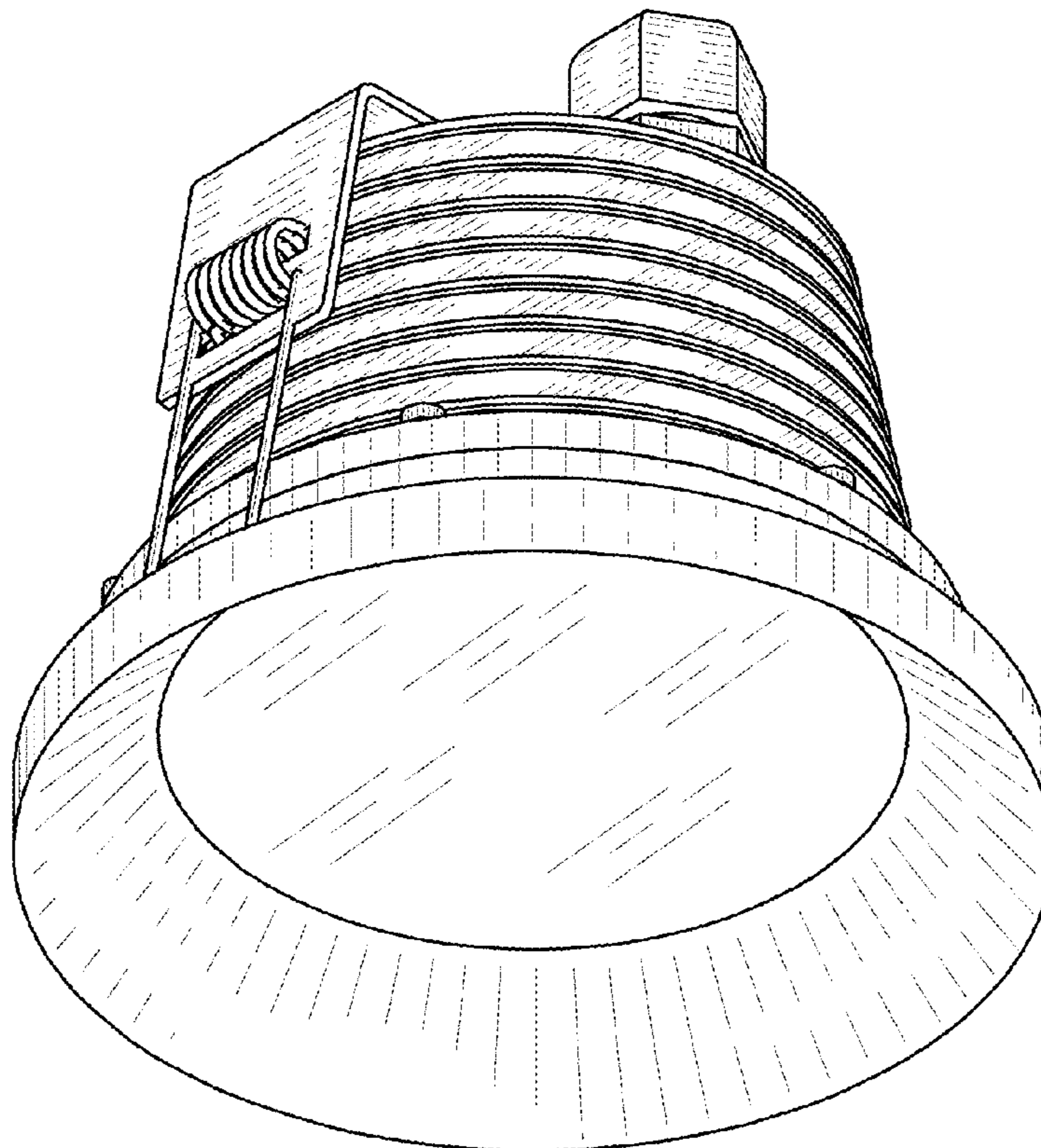
Primary Examiner — Angela J Lee

(57) **CLAIM**
The ornamental design for a luminaire, as shown.

DESCRIPTION

FIG. 1 is a perspective view showing my design;
FIG. 2 is a front elevational view thereof;
FIG. 3 is a rear elevational view thereof;
FIG. 4 is a right side elevational view thereof;
FIG. 5 is a left side elevational view thereof;
FIG. 6 is a top plan view thereof; and,
FIG. 7 is a bottom plan view thereof.

1 Claim, 5 Drawing Sheets



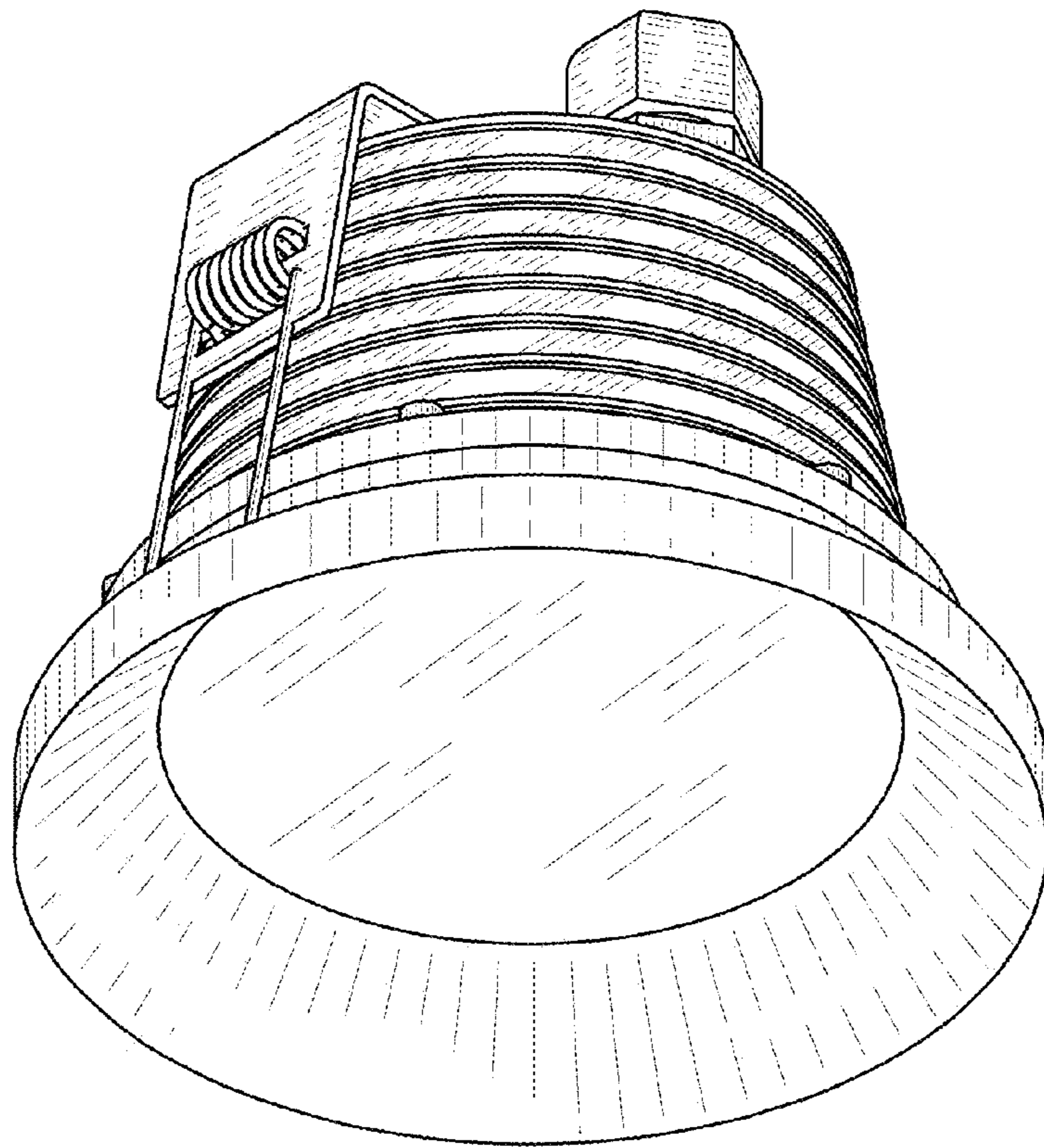


FIG.1

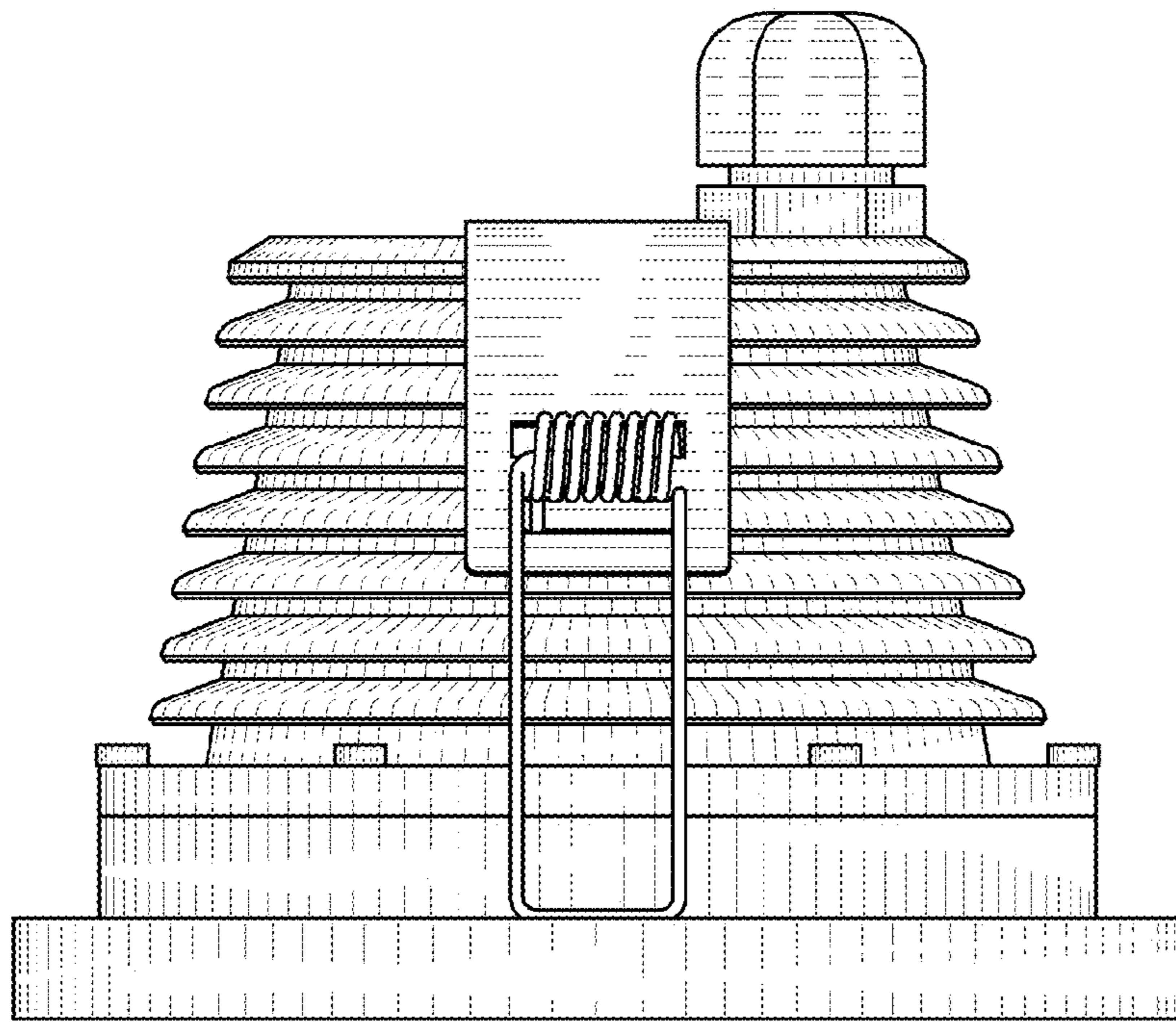


FIG. 2

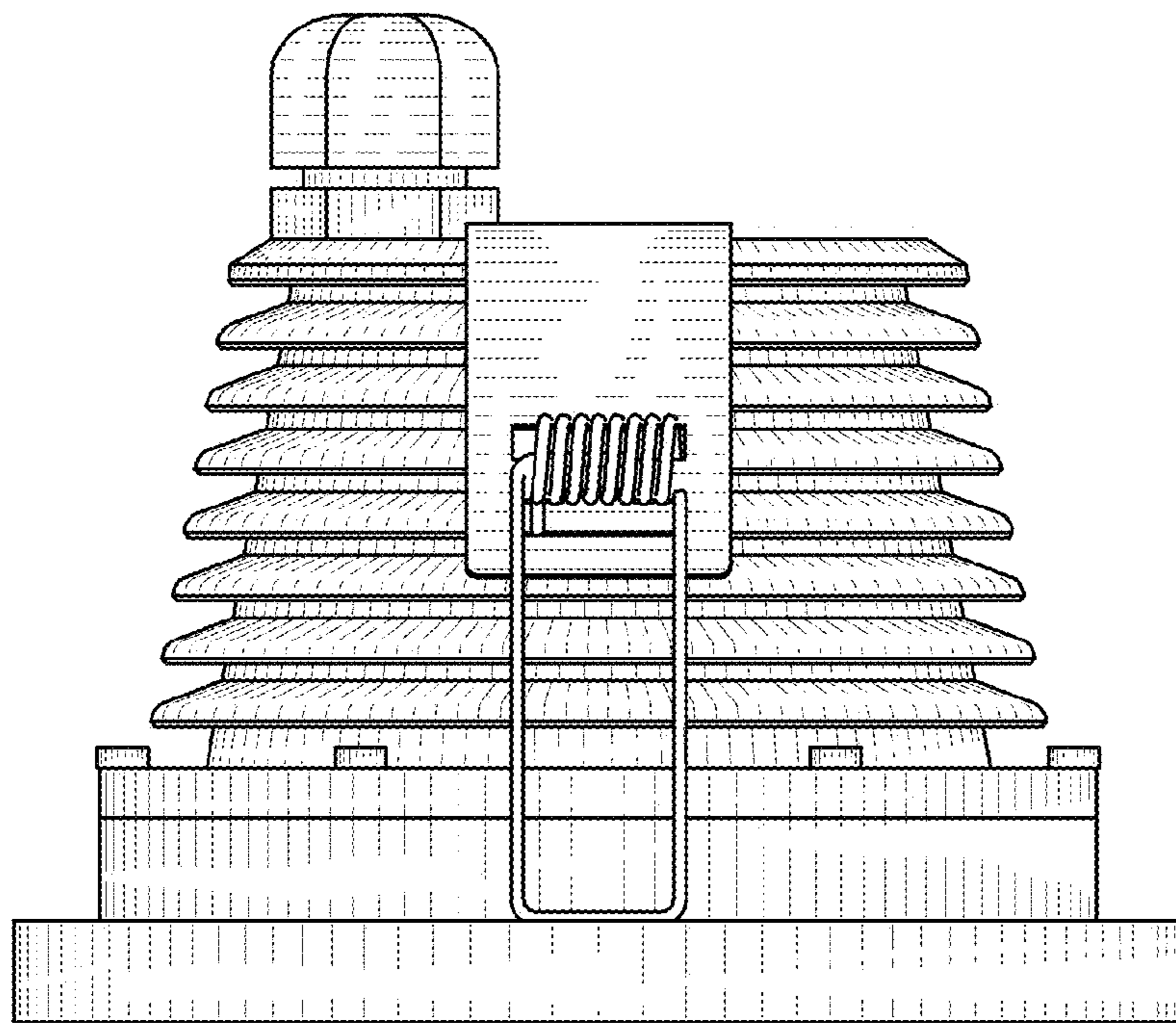


FIG. 3

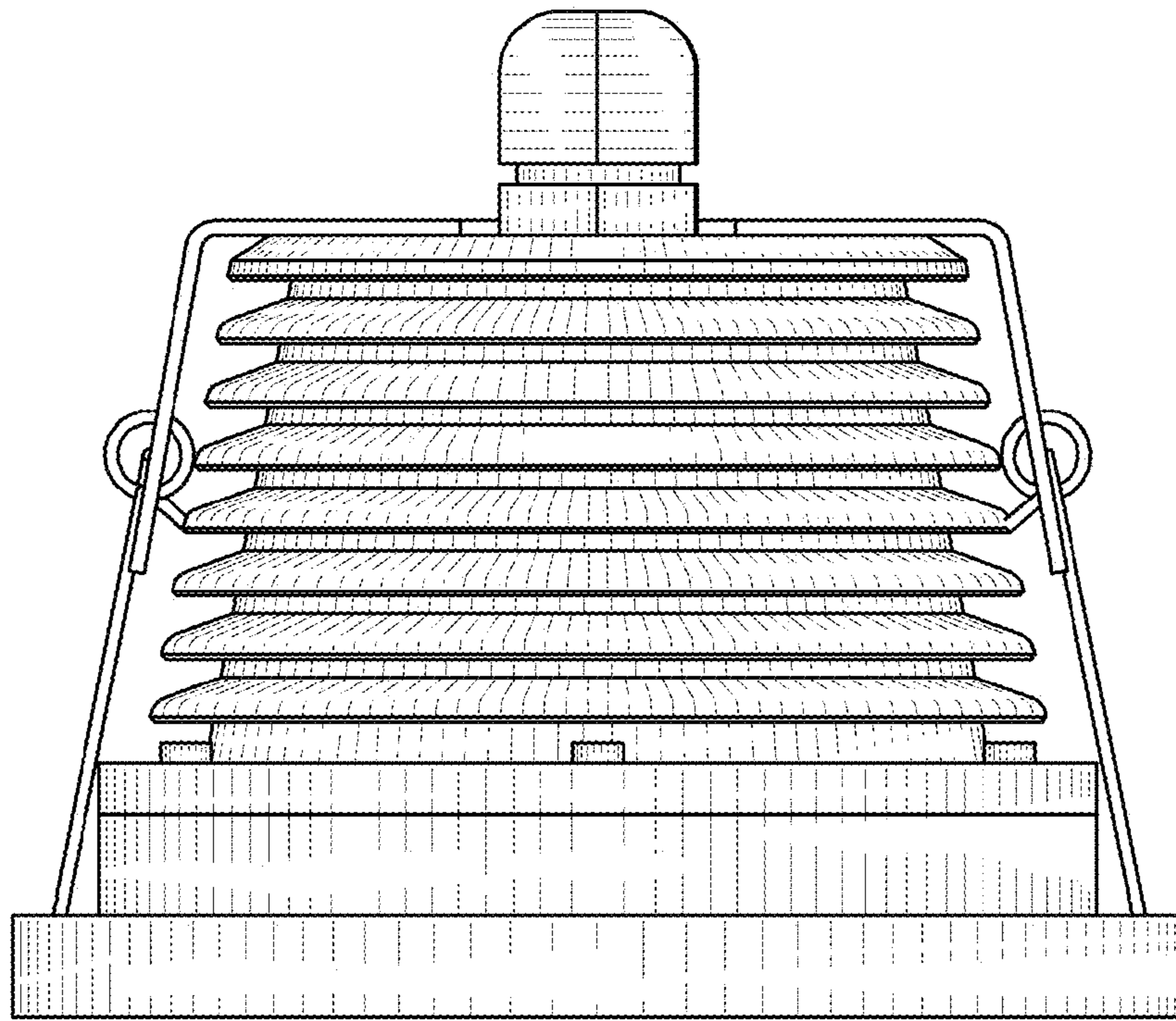


FIG. 4

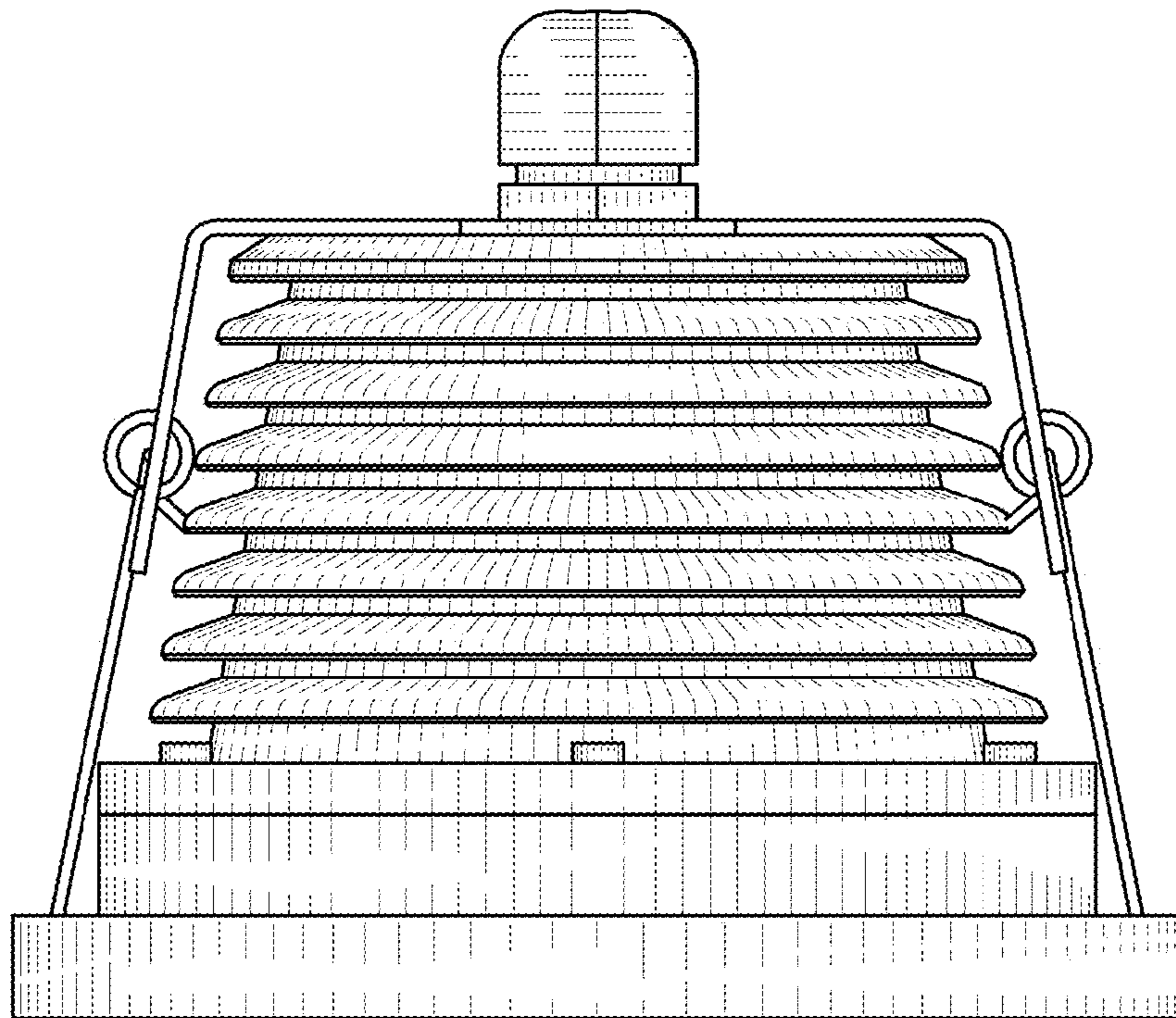


FIG. 5

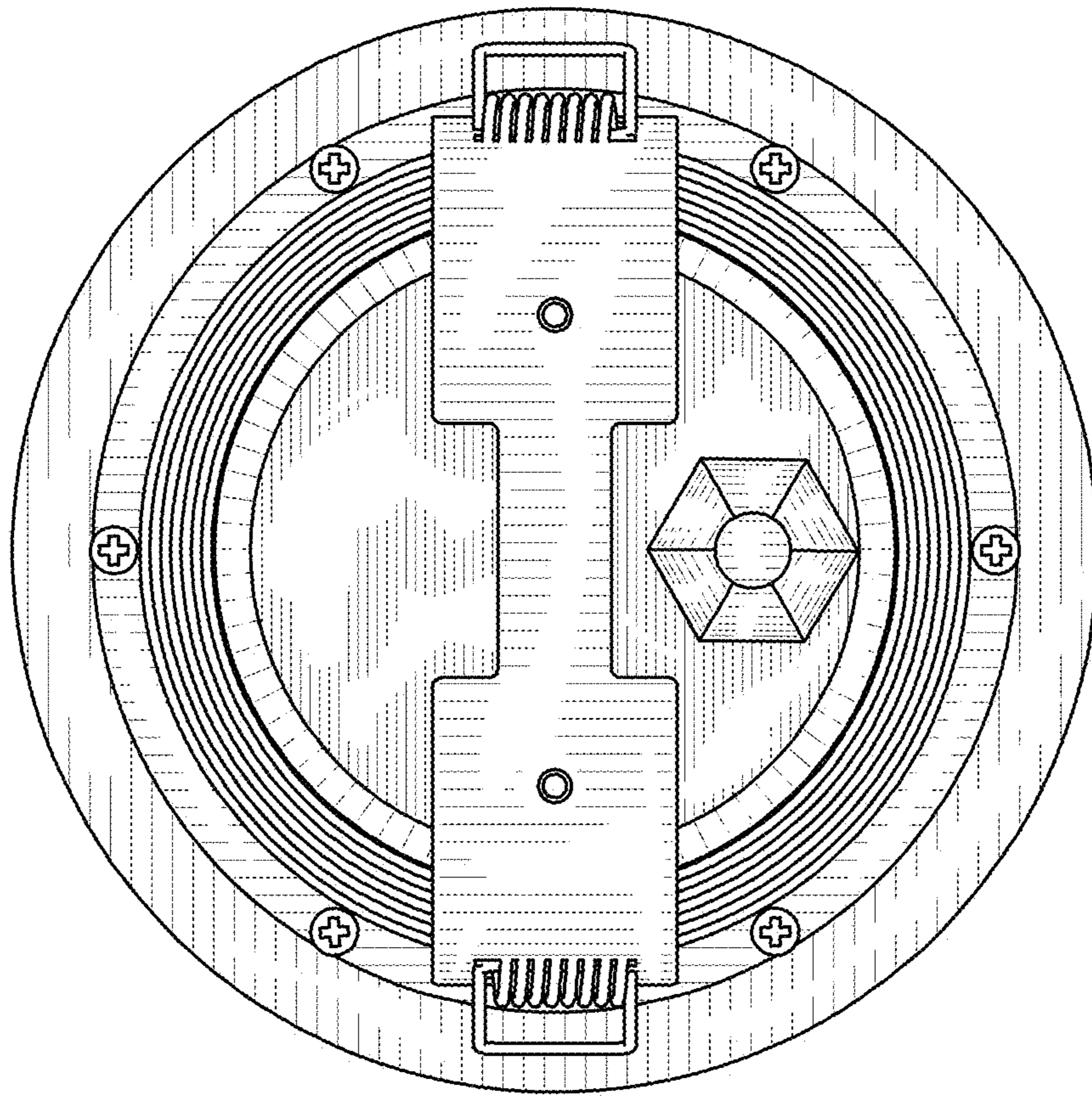


FIG.6

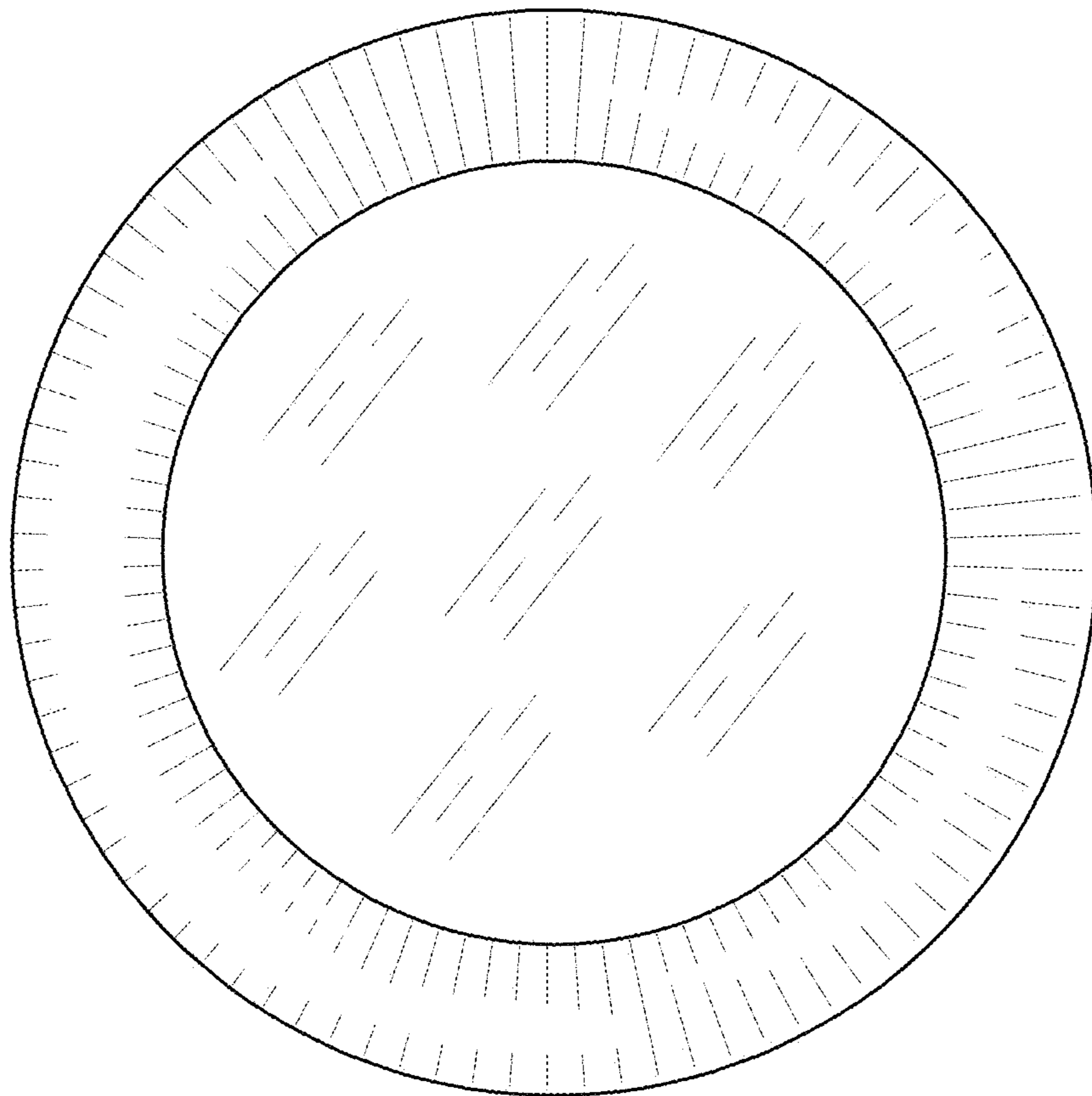


FIG.7