



US00D684287S

(12) **United States Design Patent**
Rashidi

(10) **Patent No.:** **US D684,287 S**
(45) **Date of Patent:** **** Jun. 11, 2013**

(54) **LED RETROFIT RECESSED LIGHT WITHOUT LENS**

(76) Inventor: **Hamid Rashidi**, Montebello, CA (US)

(**) Term: **14 Years**

(21) Appl. No.: **29/374,840**

(22) Filed: **Oct. 13, 2011**

Related U.S. Application Data

(63) Continuation-in-part of application No. 29/349,044, filed on Mar. 2, 2010, now Pat. No. Des. 667,155.

(51) **LOC (9) Cl.** **26-05**

(52) **U.S. Cl.**
USPC **D26/74**

(58) **Field of Classification Search**
USPC D26/24, 72, 80, 81, 83, 85, 88, 89, D26/91, 113, 118, 123, 124, 138, 74, 76; 362/145, 146, 147, 148, 150, 153, 294, 296.01, 362/296.07, 296.08, 311.07, 311.09, 311.1, 362/345, 364, 365, 366, 373
See application file for complete search history.

(56) **References Cited**

U.S. PATENT DOCUMENTS

D573,294	S	*	7/2008	Chan et al.	D26/74
D595,452	S	*	6/2009	Khang et al.	D26/138
D610,290	S	*	2/2010	Yoshinobu et al.	D26/74
7,722,227	B2	*	5/2010	Zhang et al.	362/364
D624,691	S	*	9/2010	Zhang et al.	D26/138
D640,820	S	*	6/2011	Hopper	D26/74
D656,262	S	*	3/2012	Yoshinobu et al.	D26/74
D656,263	S	*	3/2012	Ogawa et al.	D26/74
D658,802	S	*	5/2012	Chen	D26/74
D659,878	S	*	5/2012	Rashidi	D26/74
D663,466	S	*	7/2012	Rashidi	D26/74
D667,155	S	*	9/2012	Rashidi	D26/74
2011/0222291	A1	*	9/2011	Peng	362/294

* cited by examiner

Primary Examiner — Angela J Lee

(74) *Attorney, Agent, or Firm* — Thomas I. Rozsa

(57) **CLAIM**

The ornamental design for an LED retrofit recessed light without lens, as shown and described.

DESCRIPTION

FIG. 1 is a perspective view of a first embodiment of the LED retrofit recessed light without lens, showing my new design; FIG. 2 is a front elevational view thereof; FIG. 3 is a rear elevational view thereof; FIG. 4 is a left side elevational view thereof; FIG. 5 is a right side elevational view thereof; FIG. 6 is a top plan view thereof; FIG. 7 is a bottom plan view thereof; FIG. 8 is a top plan view of the LED retrofit recessed light without lens with section lines A-A and B-B; FIG. 9 is a side sectional view taken along Line A-A of FIG. 8 for the embodiment represented in FIG. 7; FIG. 10 is a side sectional view taken along Line B-B of FIG. 8 for the embodiment represented in FIG. 7; FIG. 11 is a perspective view of a second embodiment of the LED retrofit recessed light without lens, showing my new design; FIG. 12 is a front elevational view thereof; FIG. 13 is a rear elevational view thereof; FIG. 14 is a left side elevational view thereof; FIG. 15 is a right side elevational view thereof; FIG. 16 is a top plan view thereof; FIG. 17 is a bottom plan view thereof; FIG. 18 is a top plan view of the LED retrofit recessed light without lens with section lines A-A and B-B for the embodiment represented in FIG. 17; FIG. 19 is a side sectional view taken along Line A-A of FIG. 18 for the embodiment represented in FIG. 17; FIG. 20 is a side sectional view taken along Line B-B of FIG. 18 for the embodiment represented in FIG. 17; FIG. 21 is a perspective view of a third embodiment of the LED retrofit recessed light without lens, showing my new design; FIG. 22 is a front elevational view thereof; FIG. 23 is a rear elevational view thereof; FIG. 24 is a left side elevational view thereof;

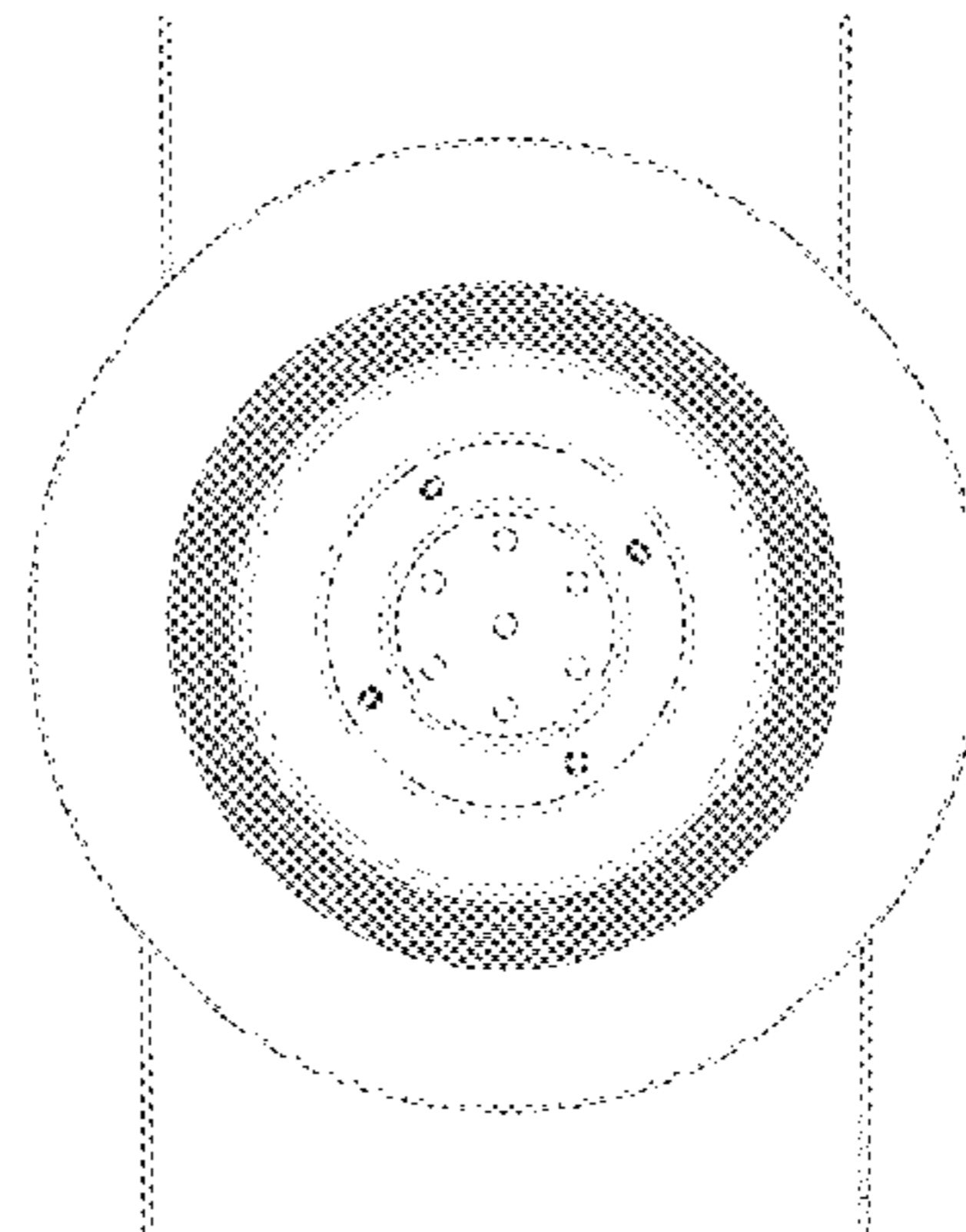
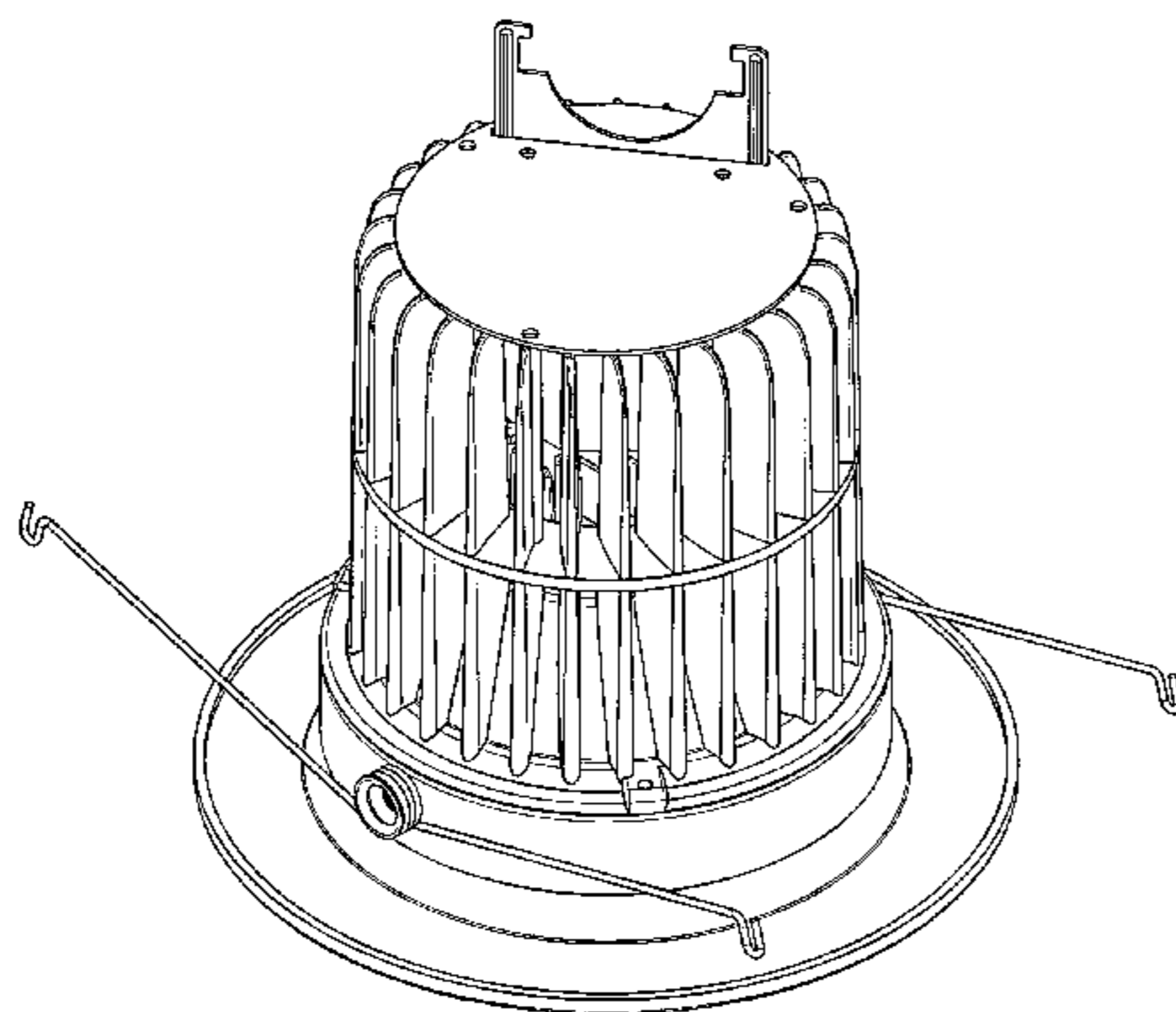


FIG. 25 is a right side elevational view thereof;
FIG. 26 is a top plan view thereof;
FIG. 27 is a bottom plan view thereof;
FIG. 28 is a top plan view of the LED retrofit recessed light without lens with section lines A-A and B-B;
FIG. 29 is a side sectional view taken along Line A-A of FIG. 28 for the embodiment represented in FIG. 27;
FIG. 30 is a side sectional view taken along Line B-B of FIG. 28 for the embodiment represented in FIG. 27;
FIG. 31 is a perspective view of a fourth embodiment of the LED retrofit recessed light without lens, showing my new design;
FIG. 32 is a front elevational view thereof;

FIG. 33 is a rear elevational view thereof;
FIG. 34 is a left side elevational view thereof;
FIG. 35 is a right side elevational view thereof;
FIG. 36 is a top plan view thereof;
FIG. 37 is a bottom plan view thereof;
FIG. 38 is a top plan view of the LED retrofit recessed light without lens with section lines A-A and B-B;
FIG. 39 is a side sectional view taken along Line A-A of FIG. 38 for the embodiment represented in FIG. 37; and,
FIG. 40 is a side sectional view taken along Line A-A of FIG. 38 for the embodiment represented in FIG. 37.

1 Claim, 40 Drawing Sheets

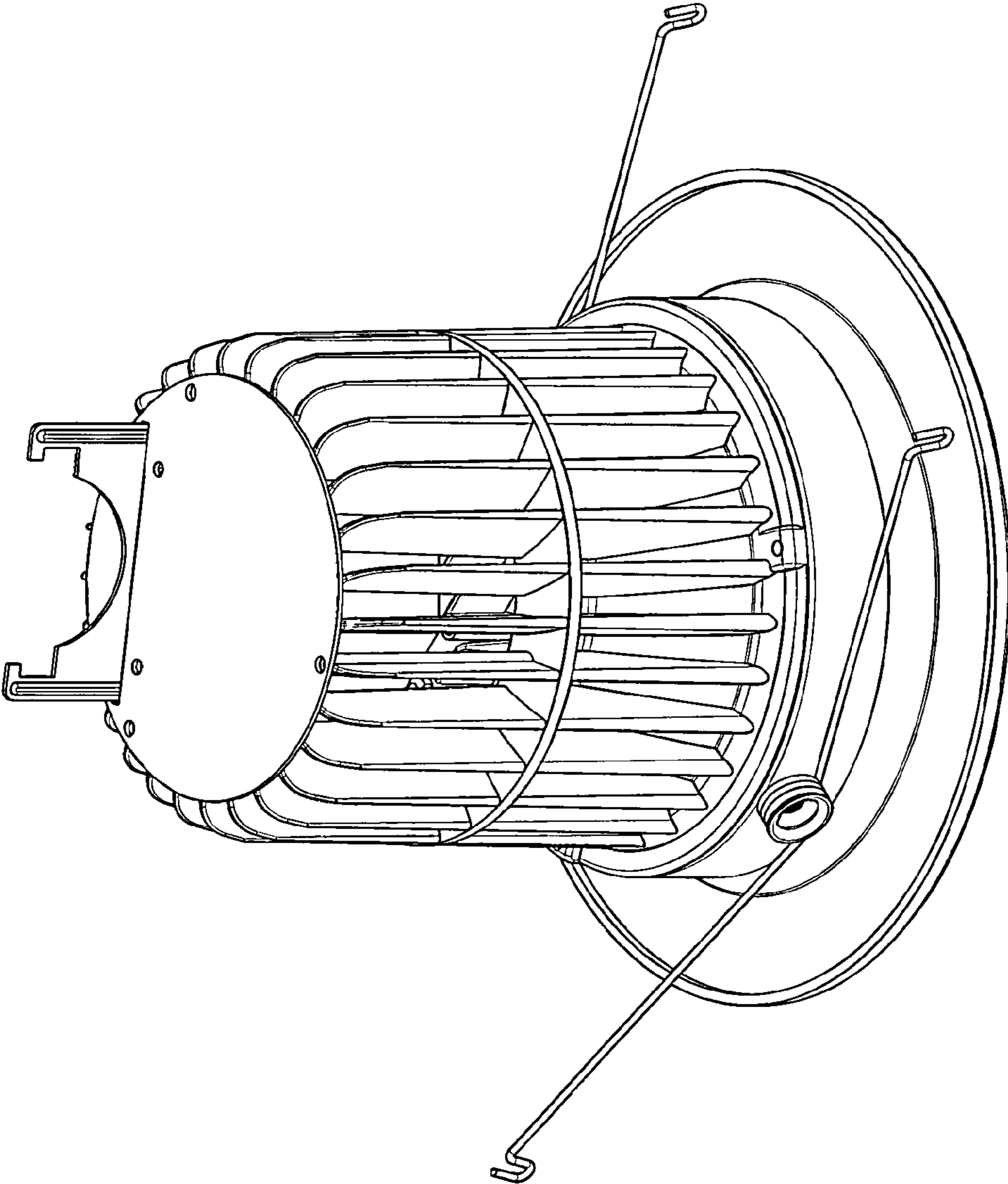


FIG. 1

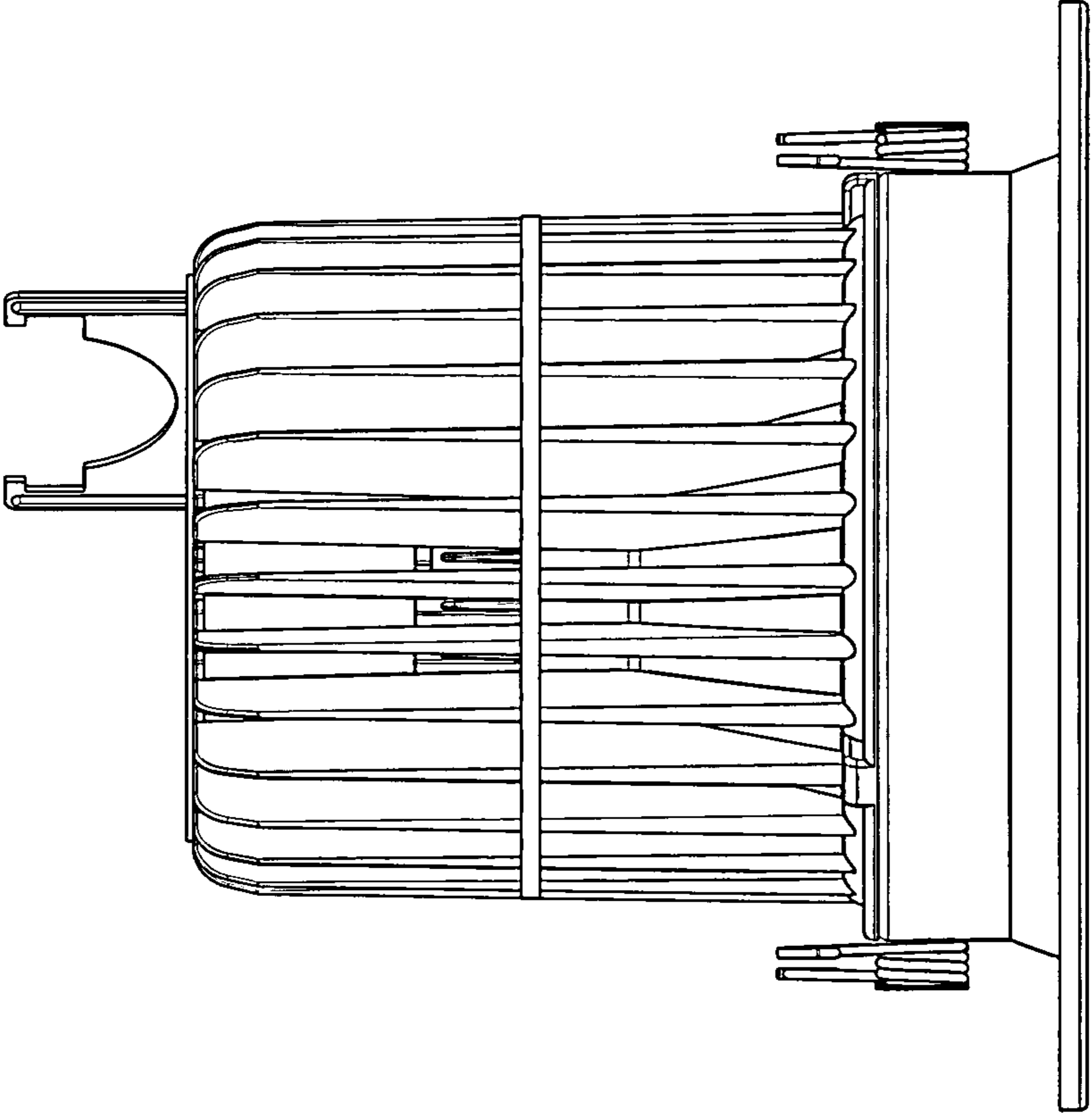


FIG. 2

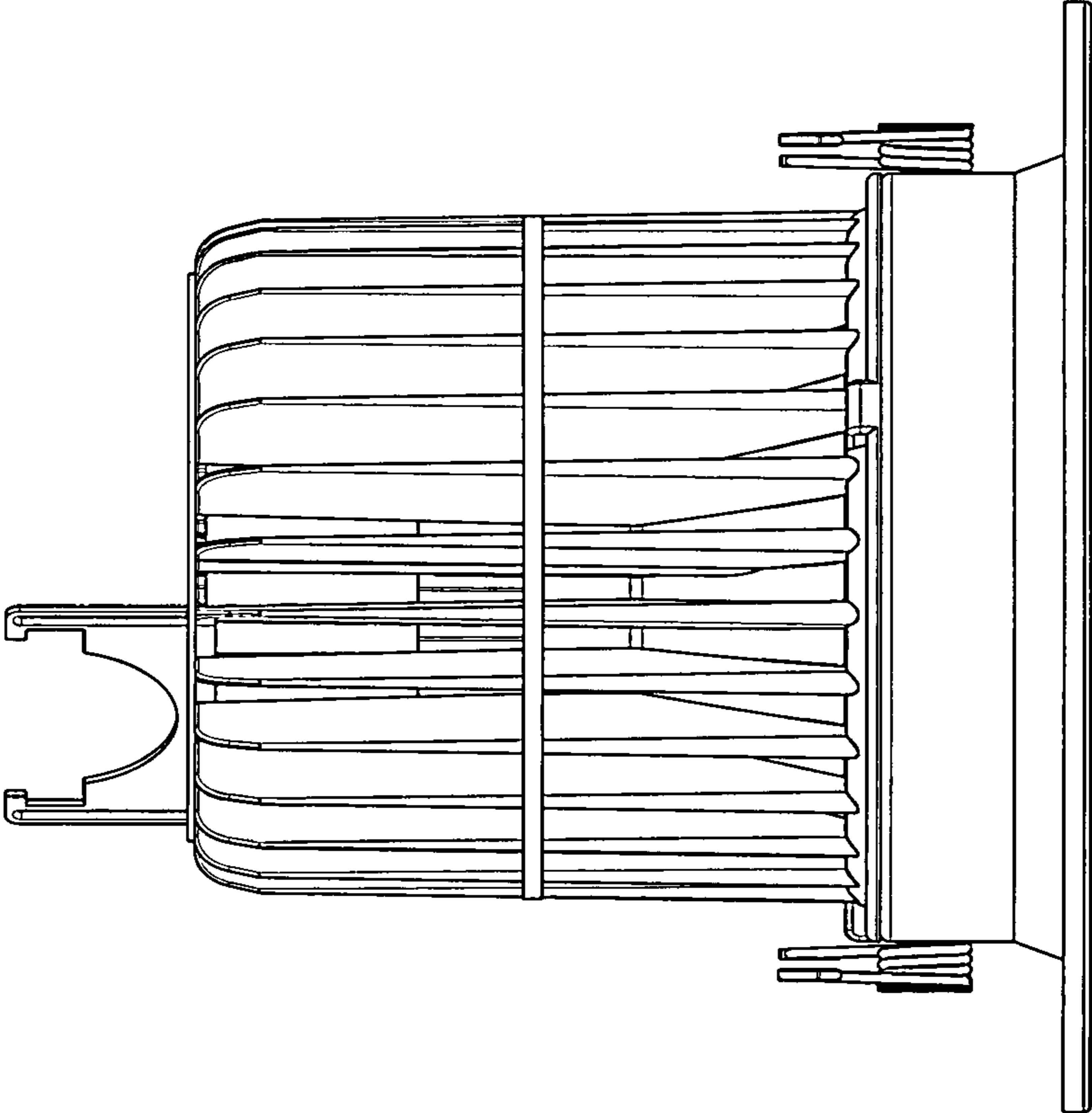


FIG.3

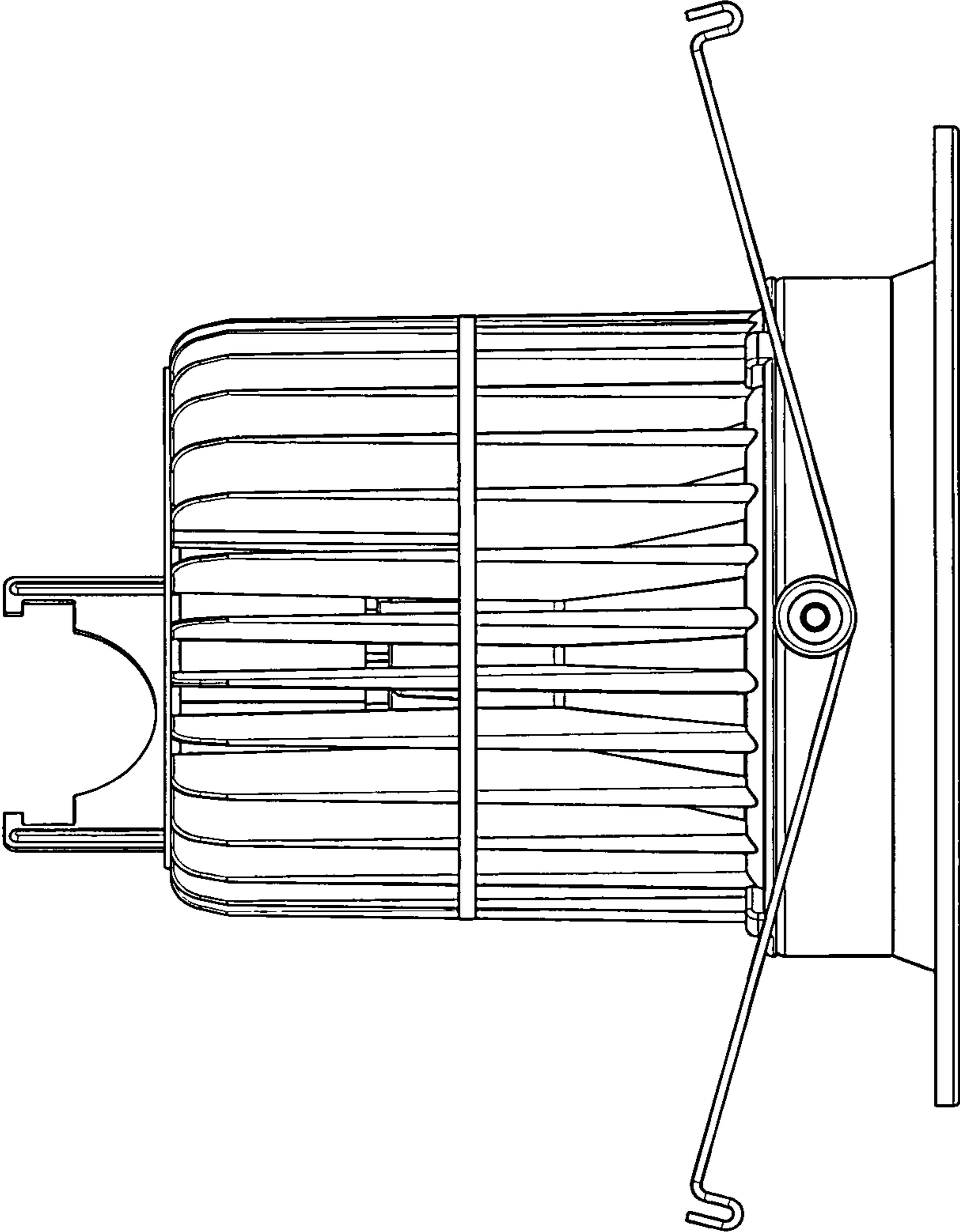


FIG.4

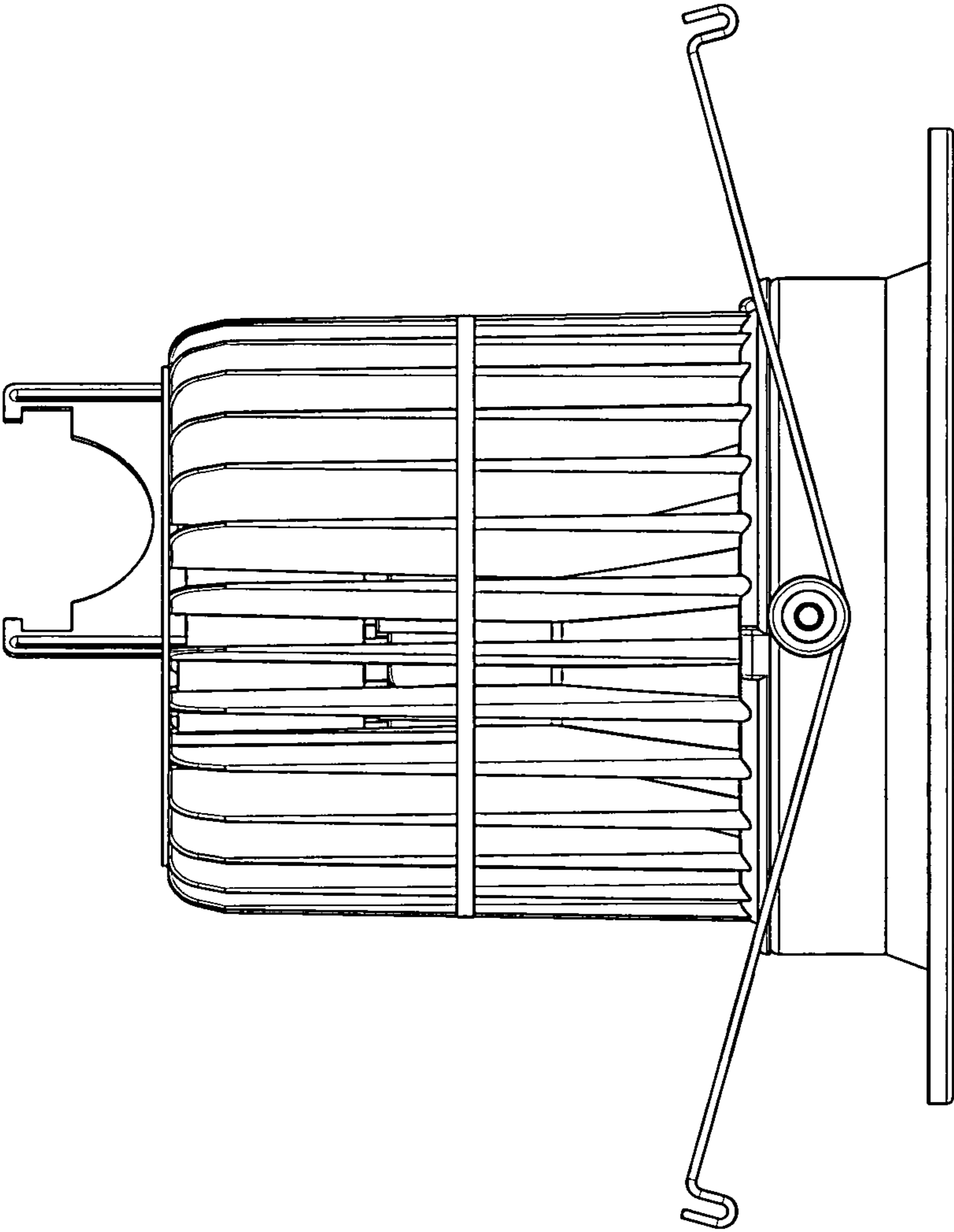


FIG.5

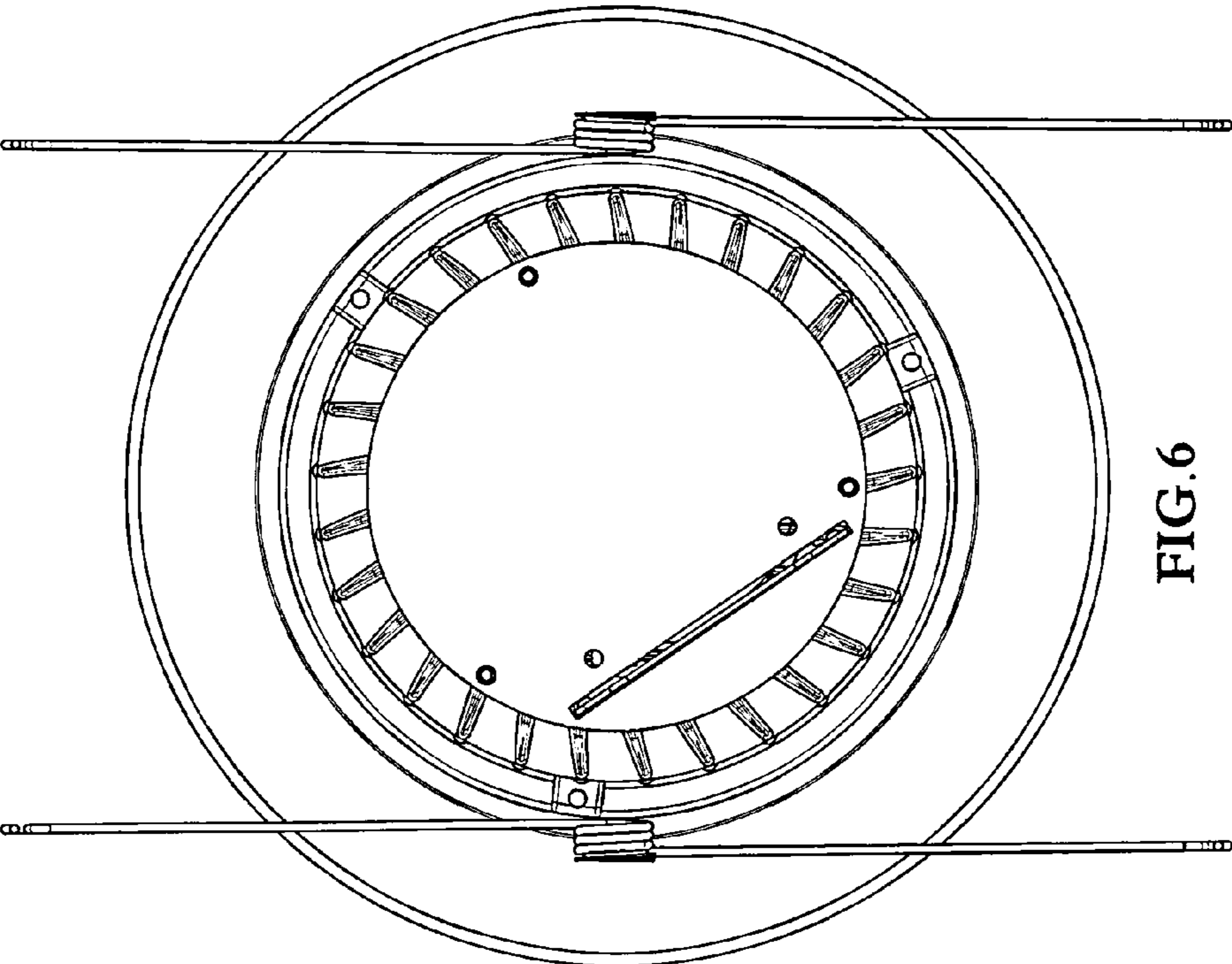


FIG. 6

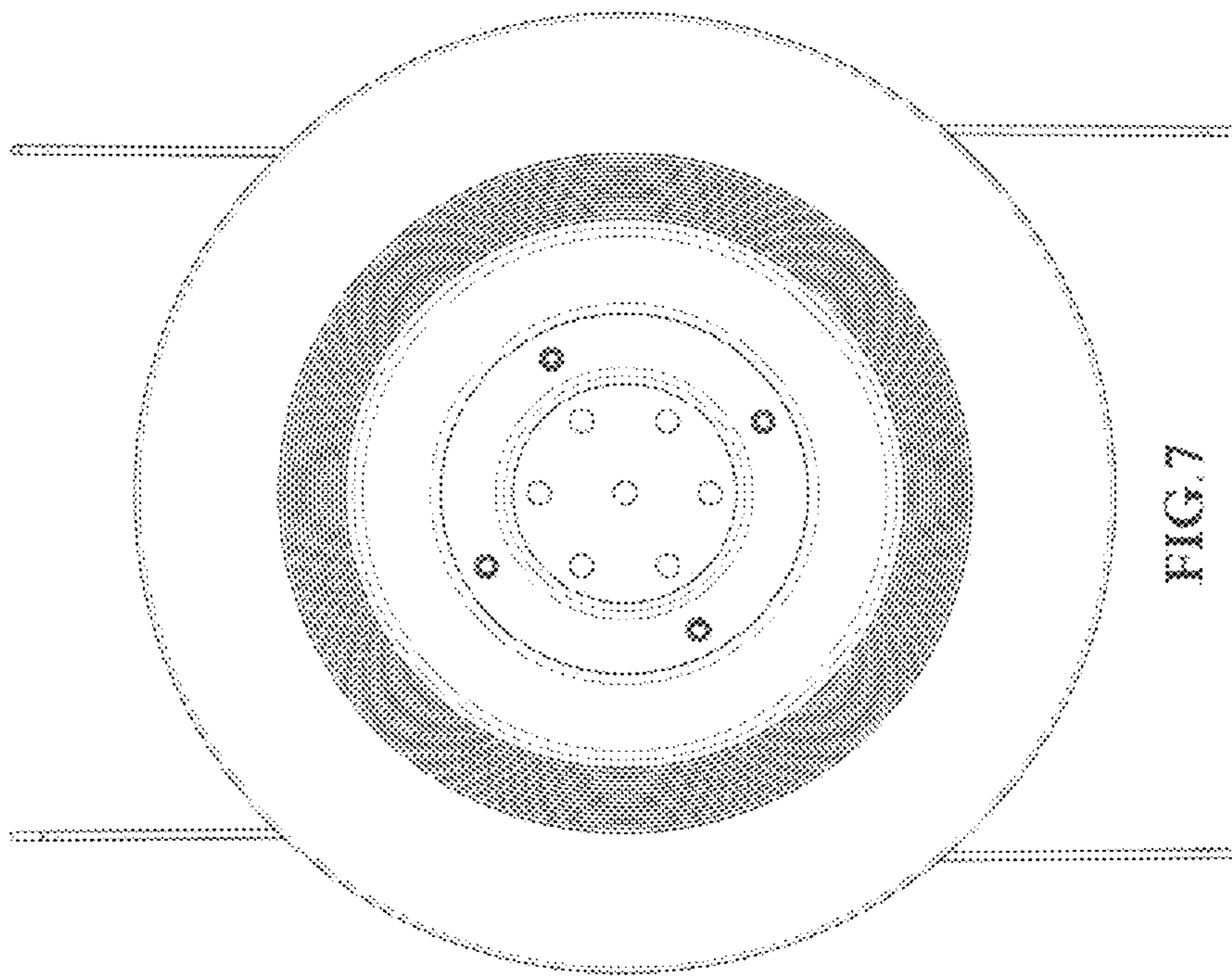
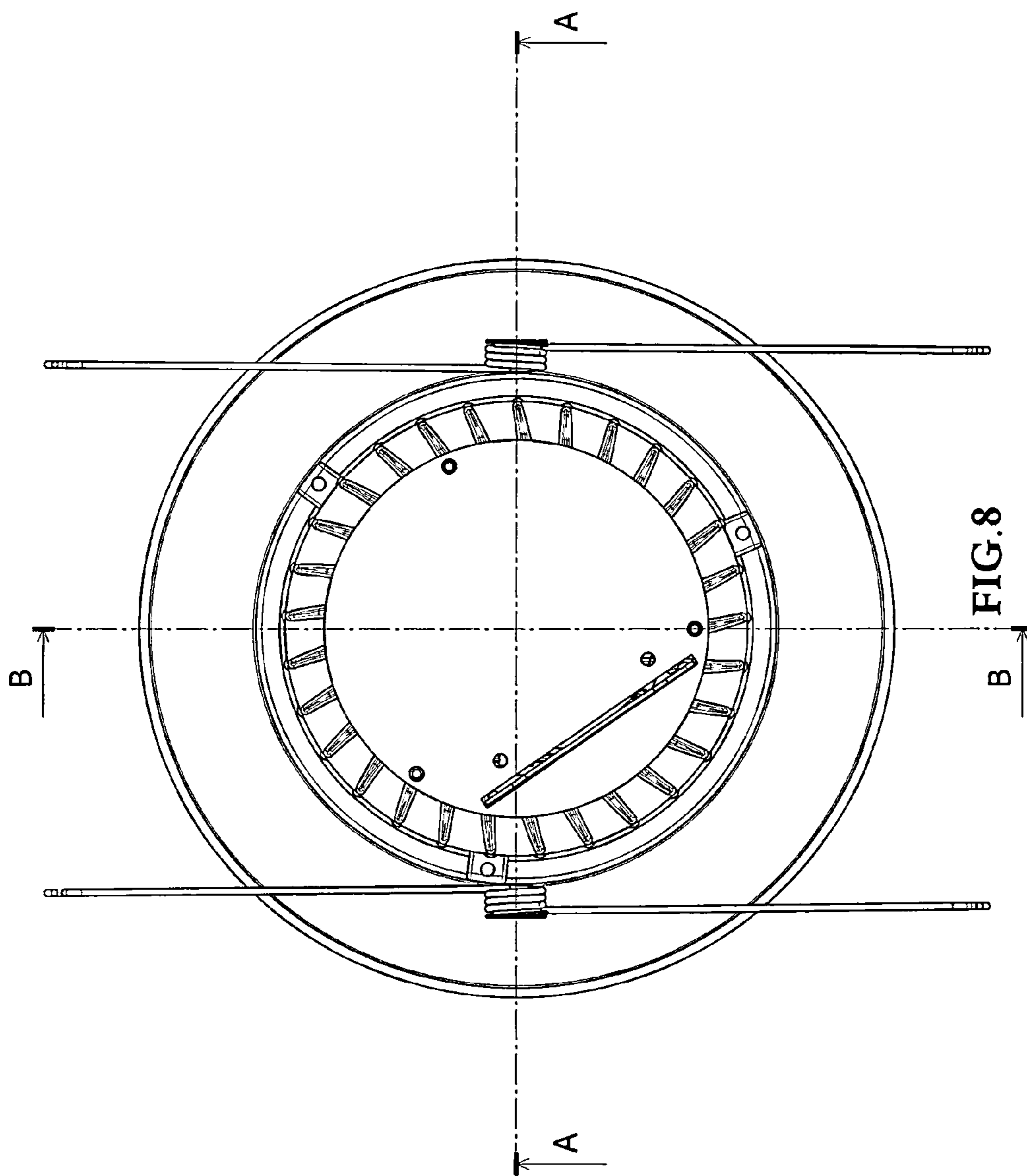


FIG. 7



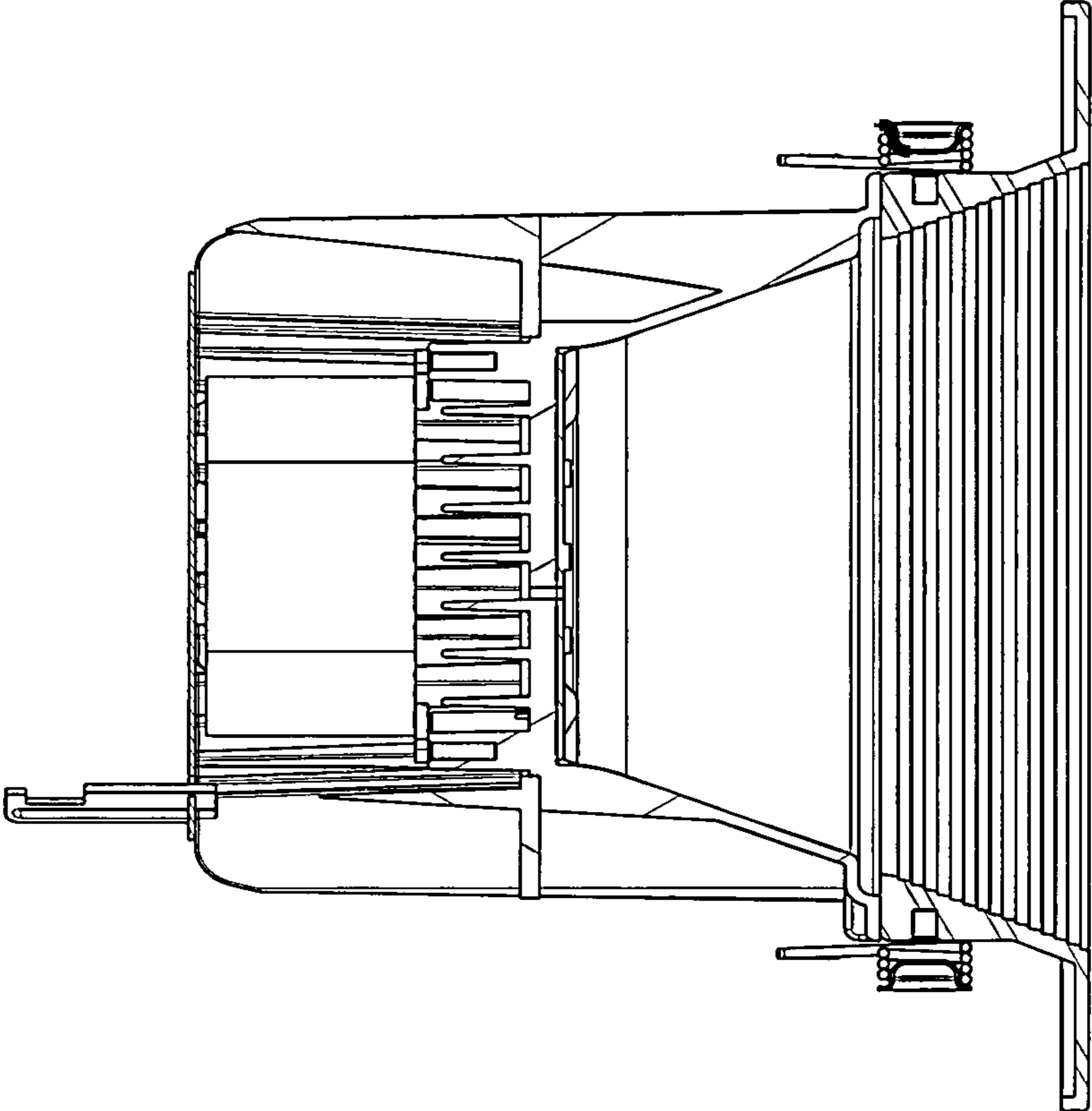


FIG. 9

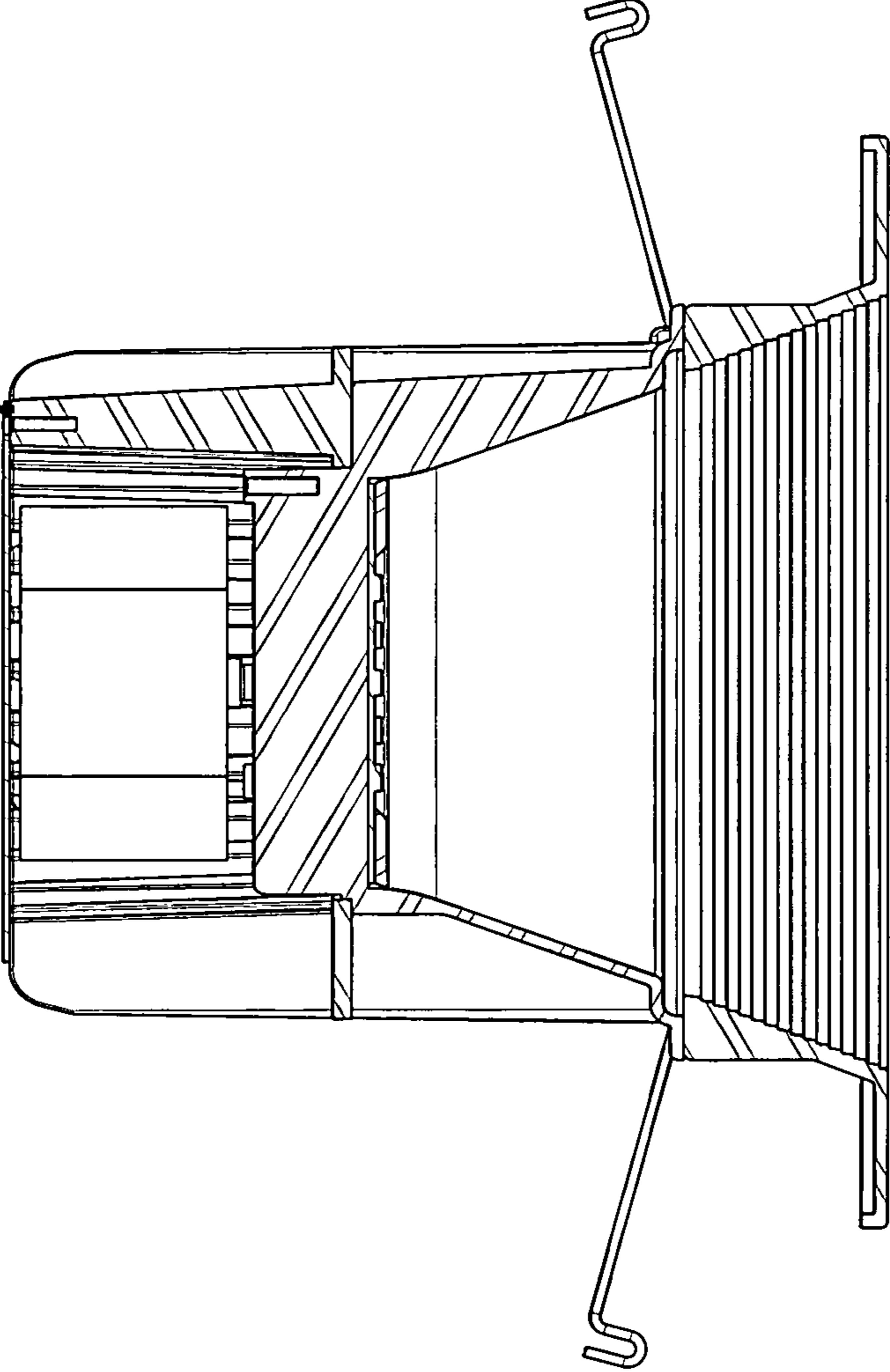


FIG.10

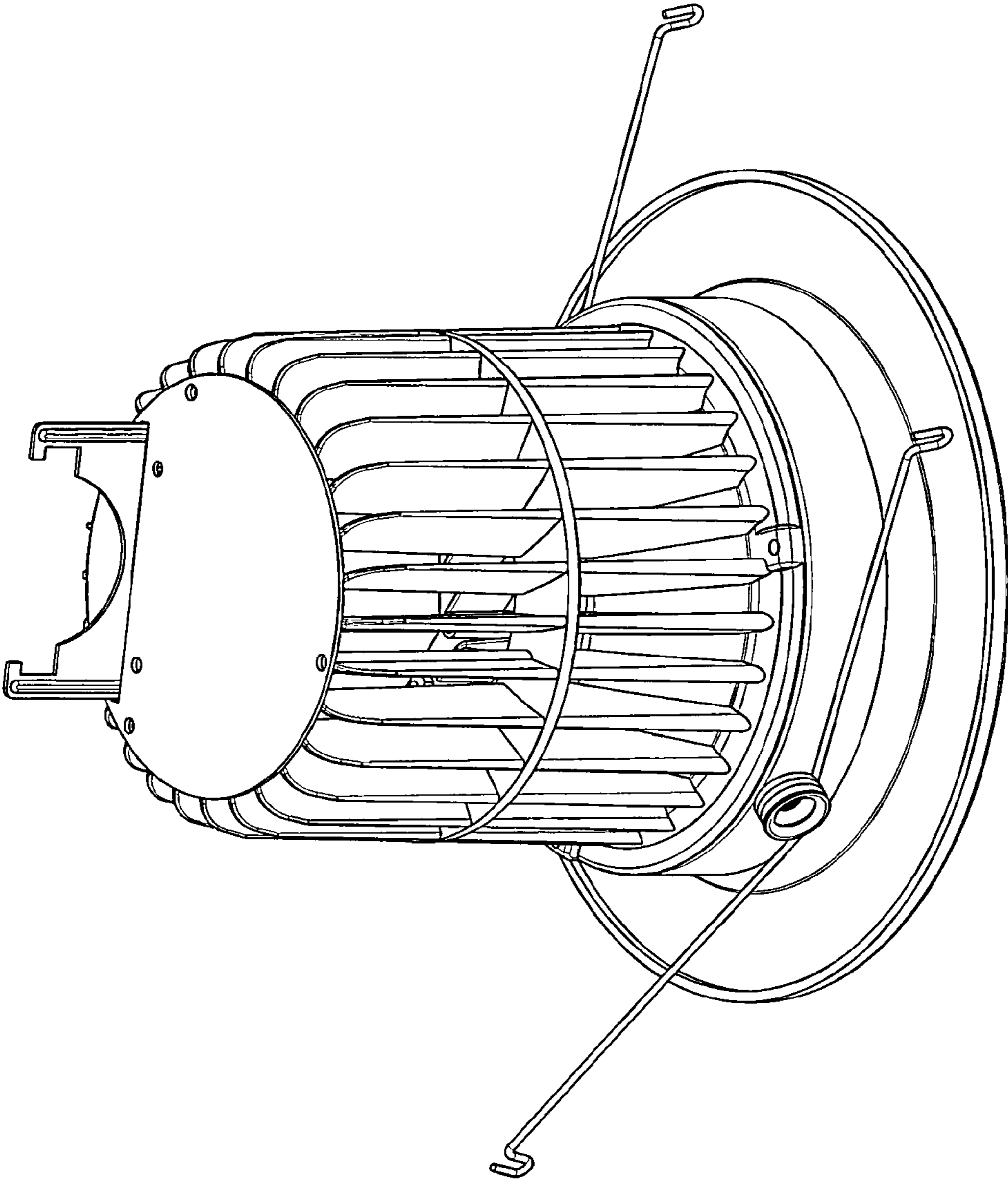


FIG.11

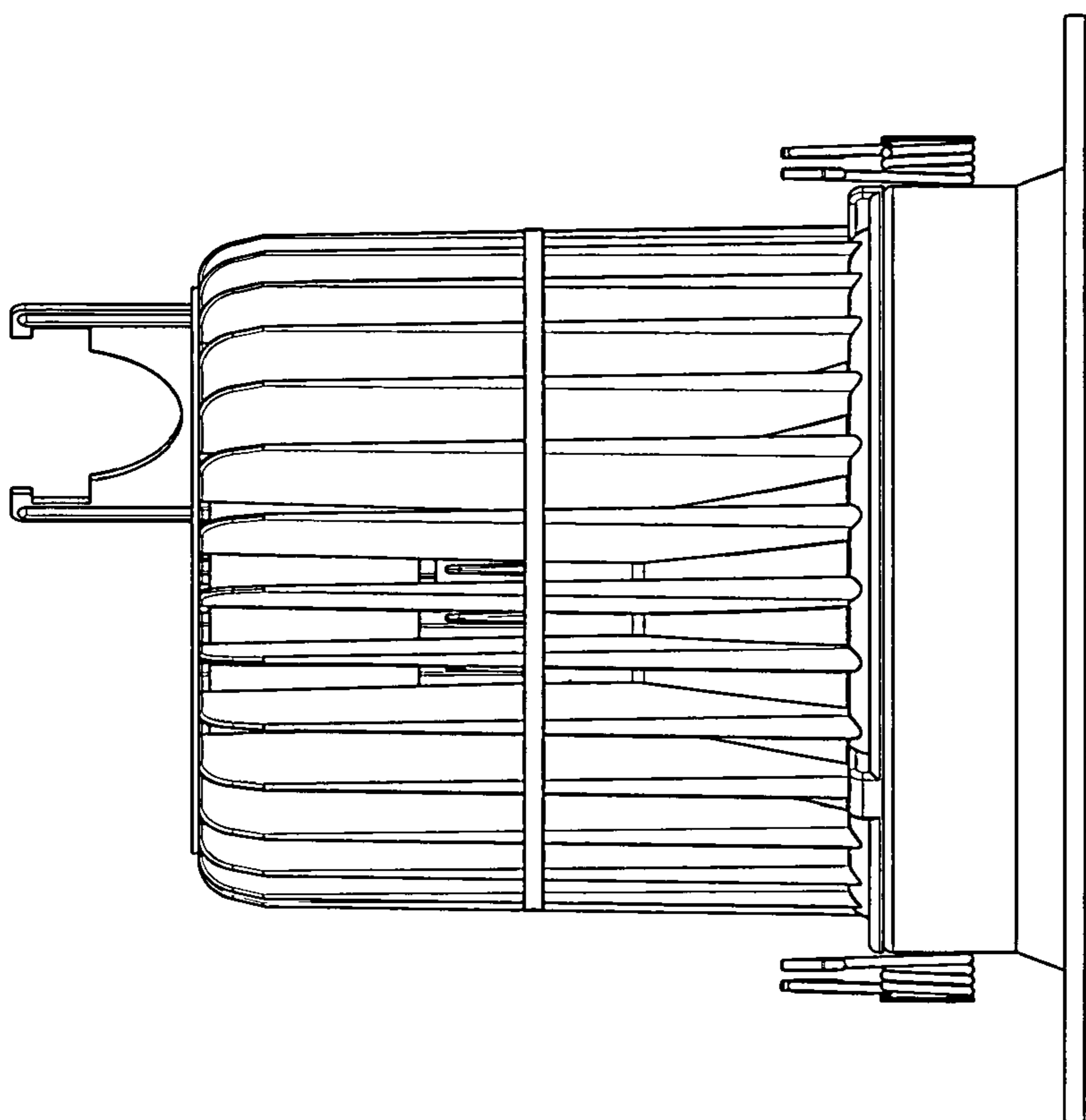


FIG.12

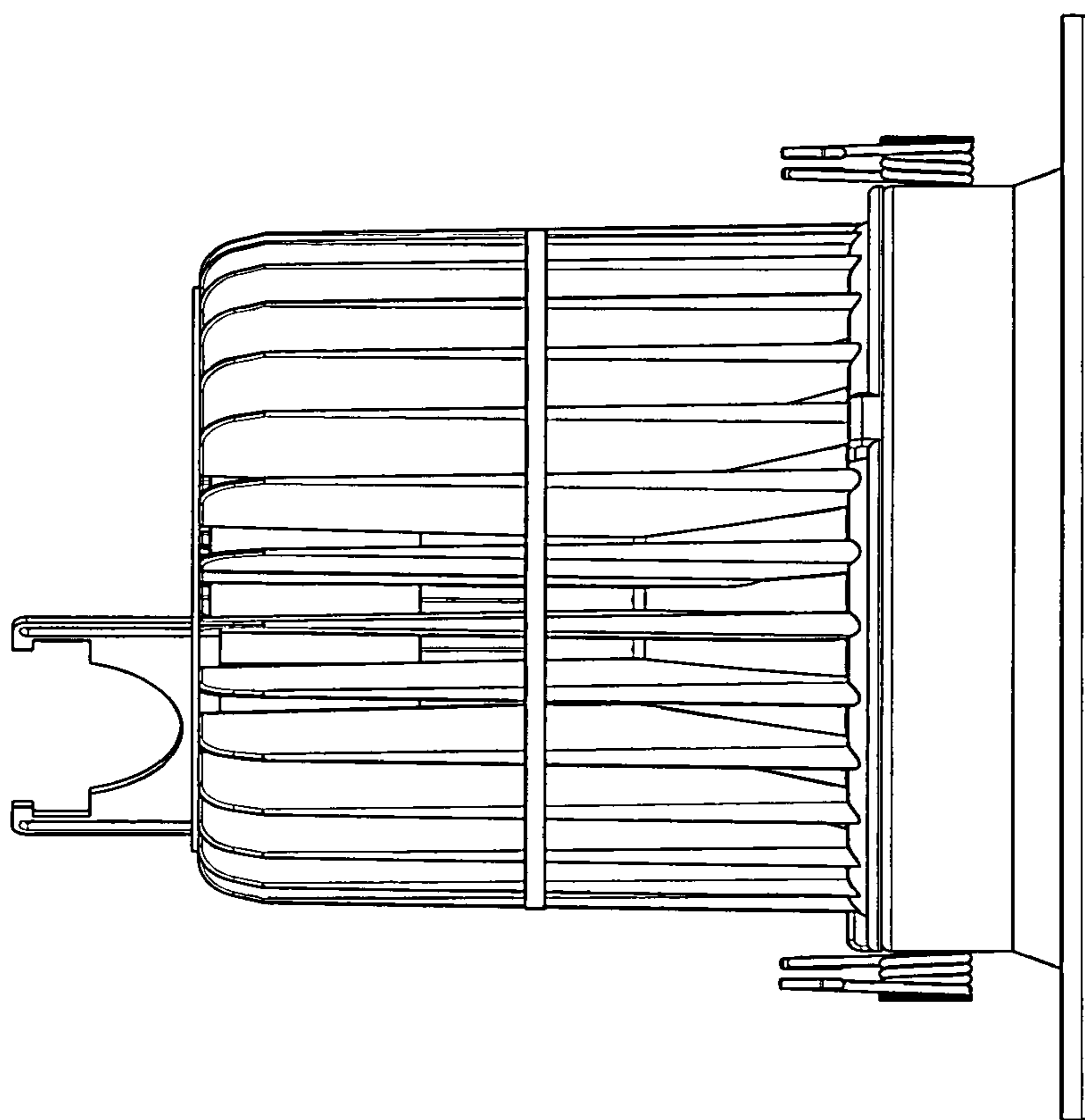


FIG.13

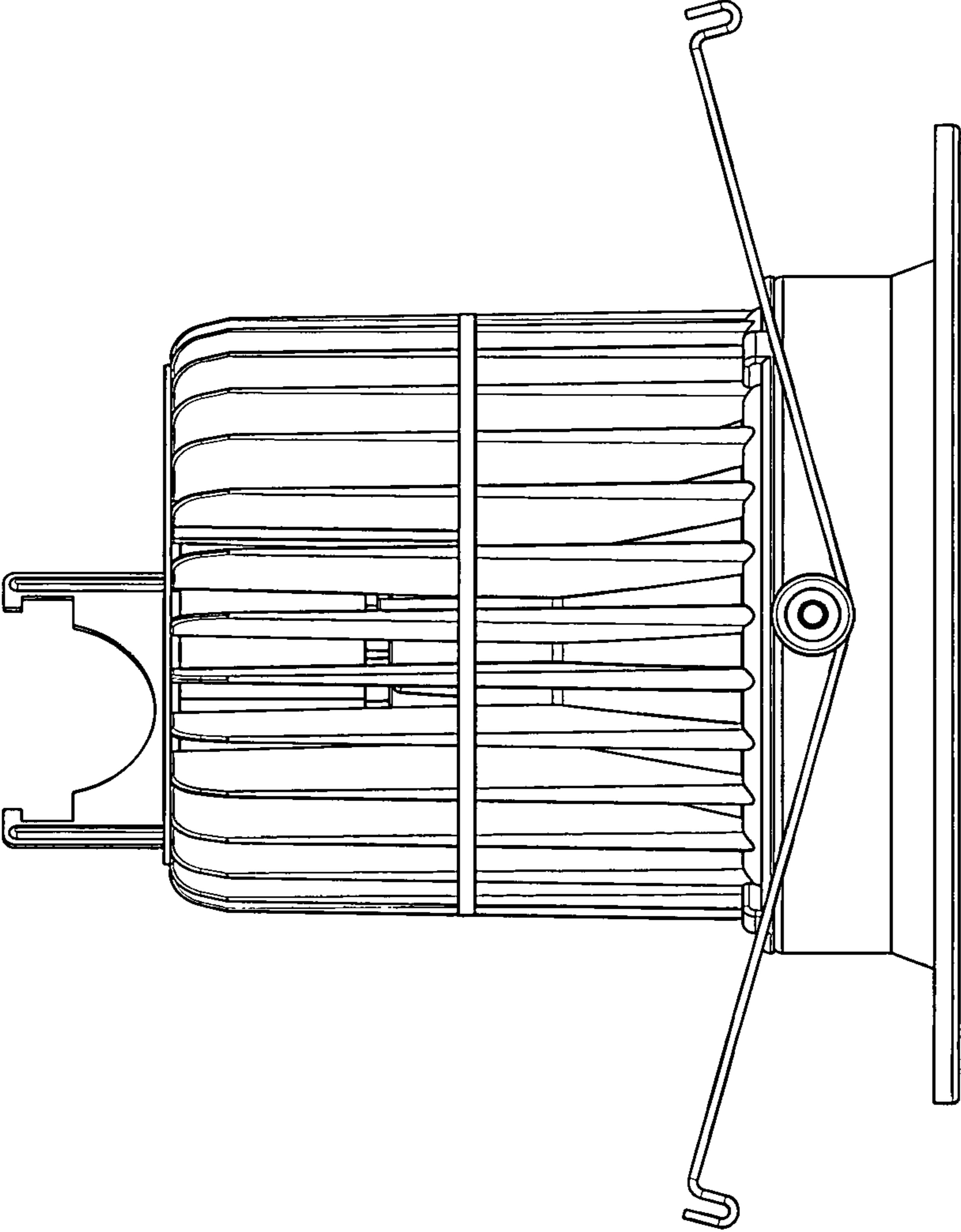


FIG.14

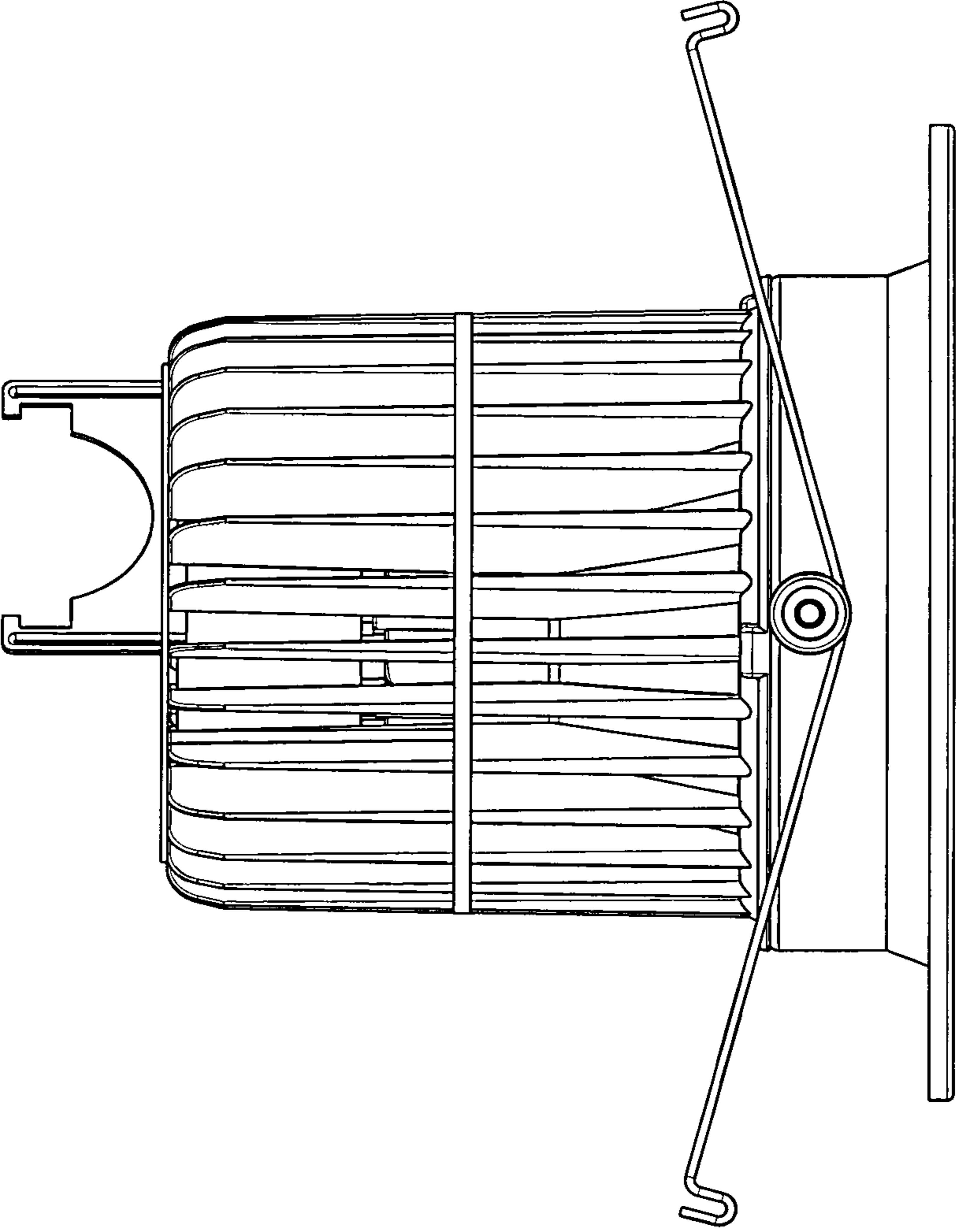


FIG.15

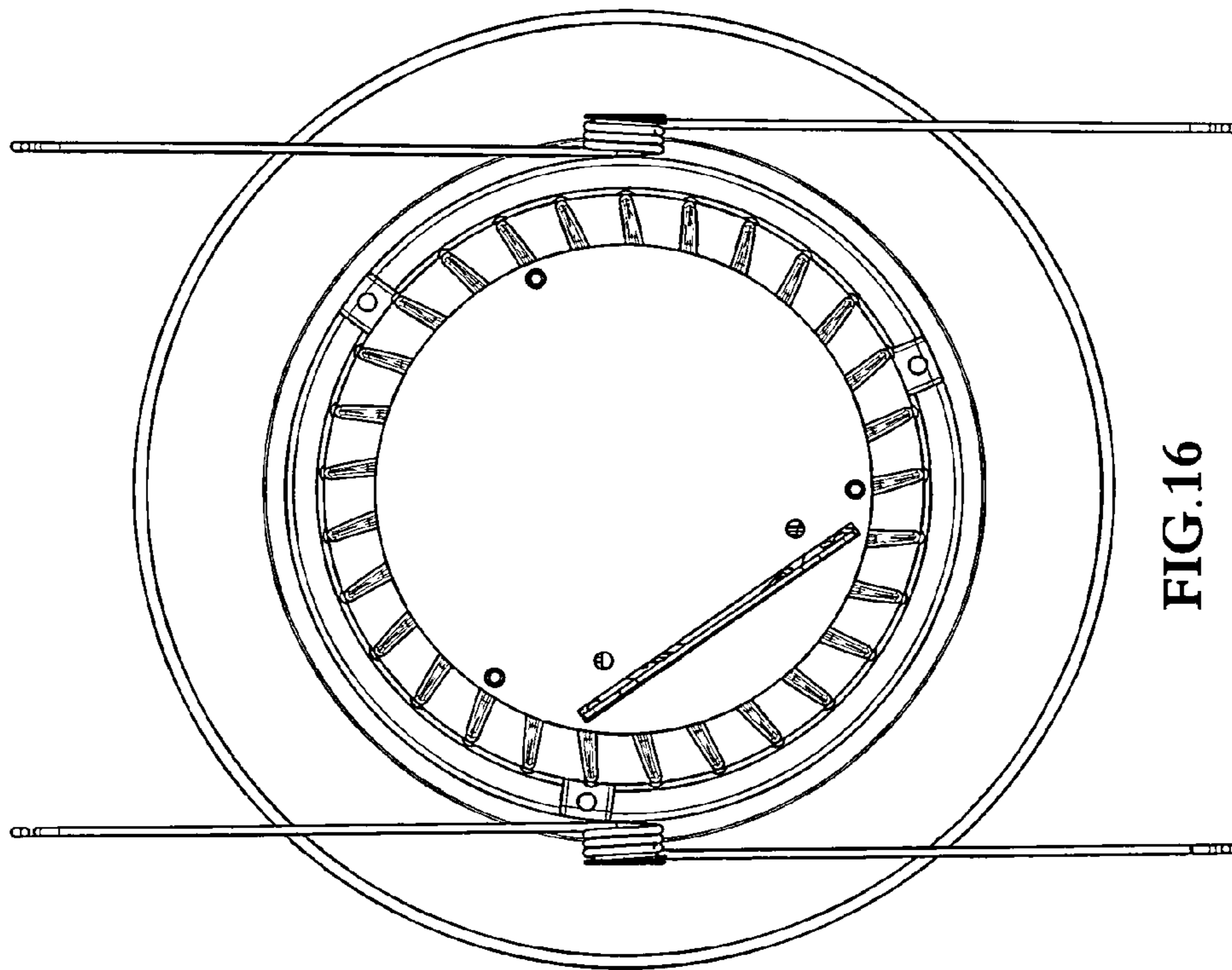


FIG.16

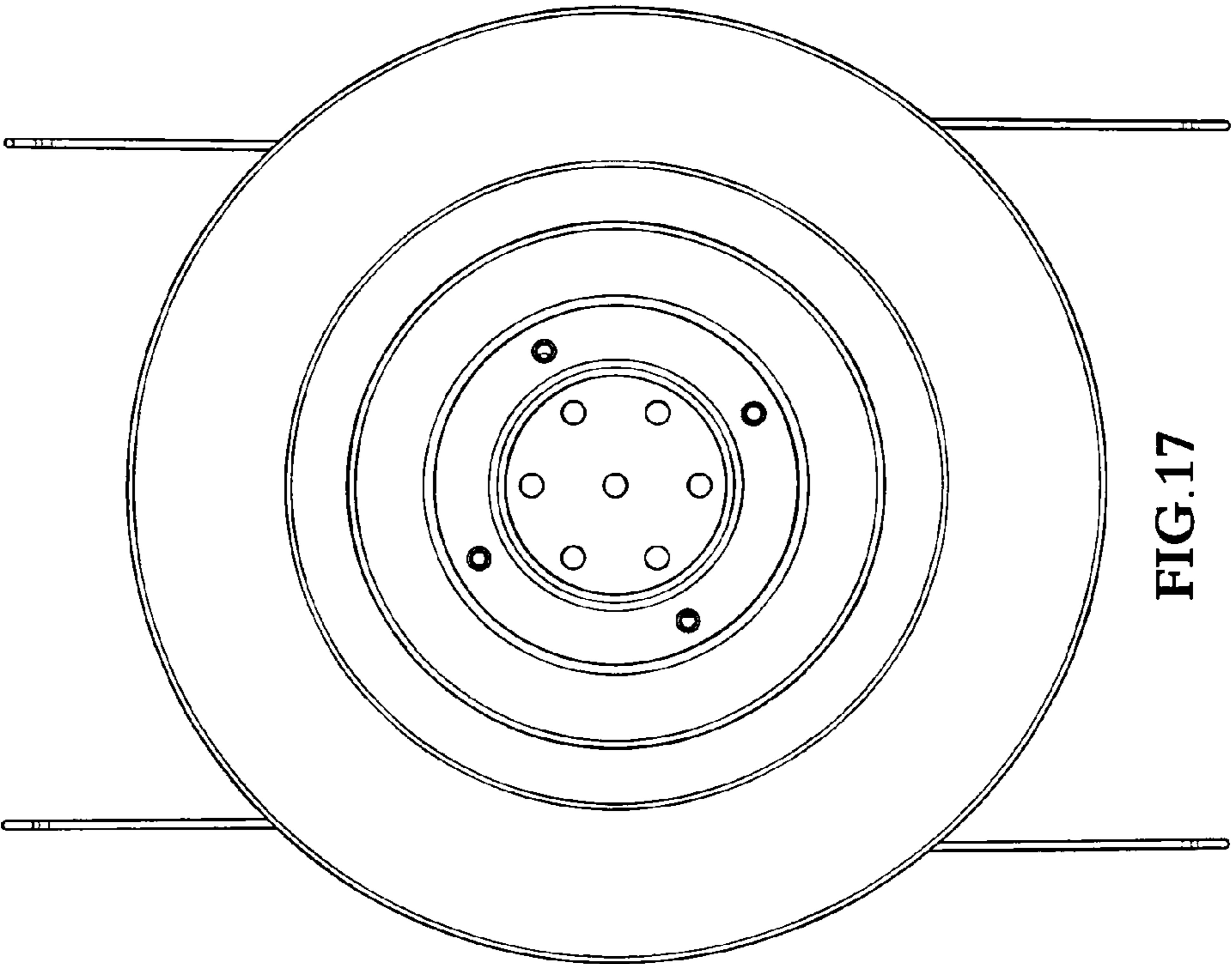
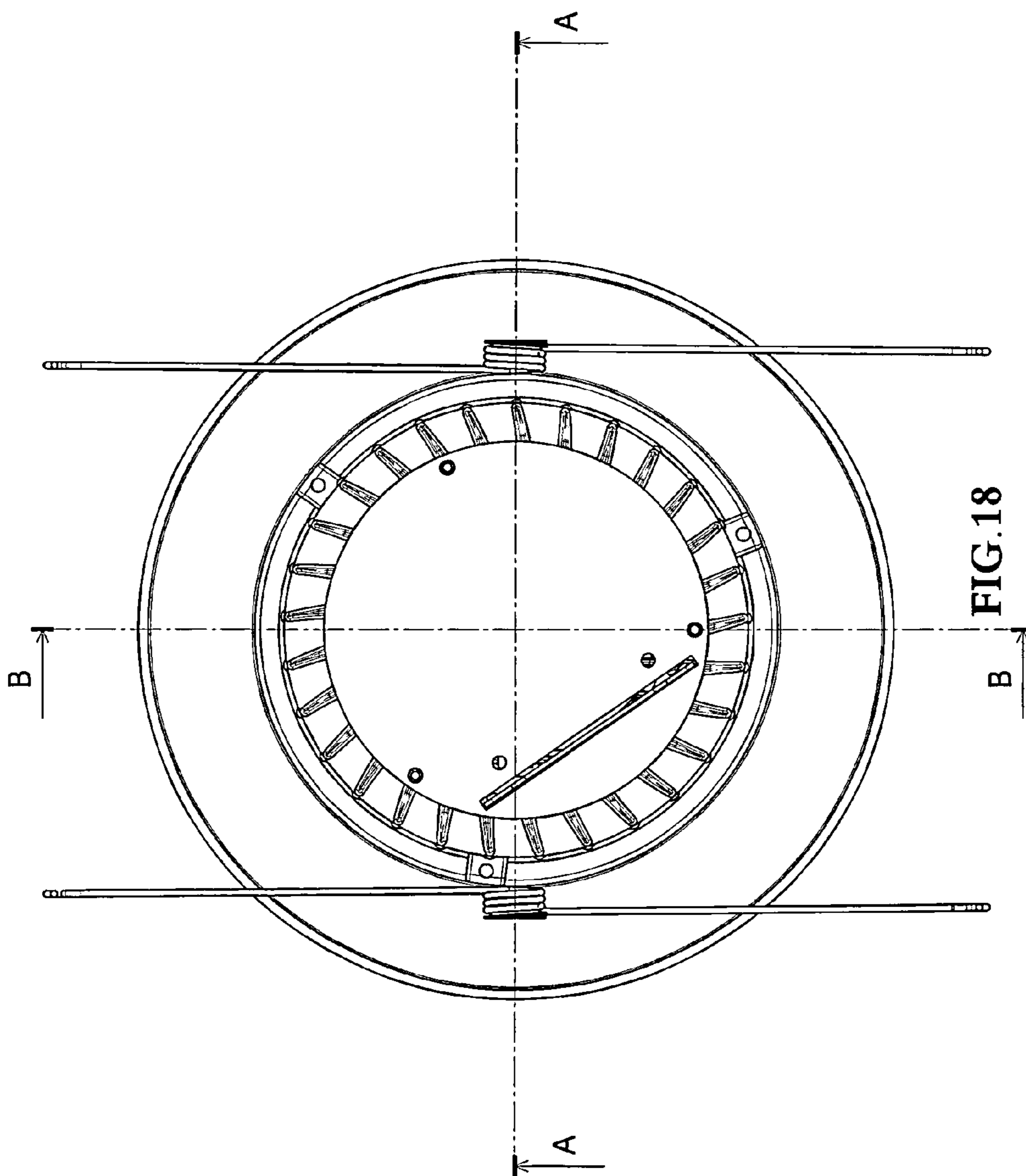


FIG.17



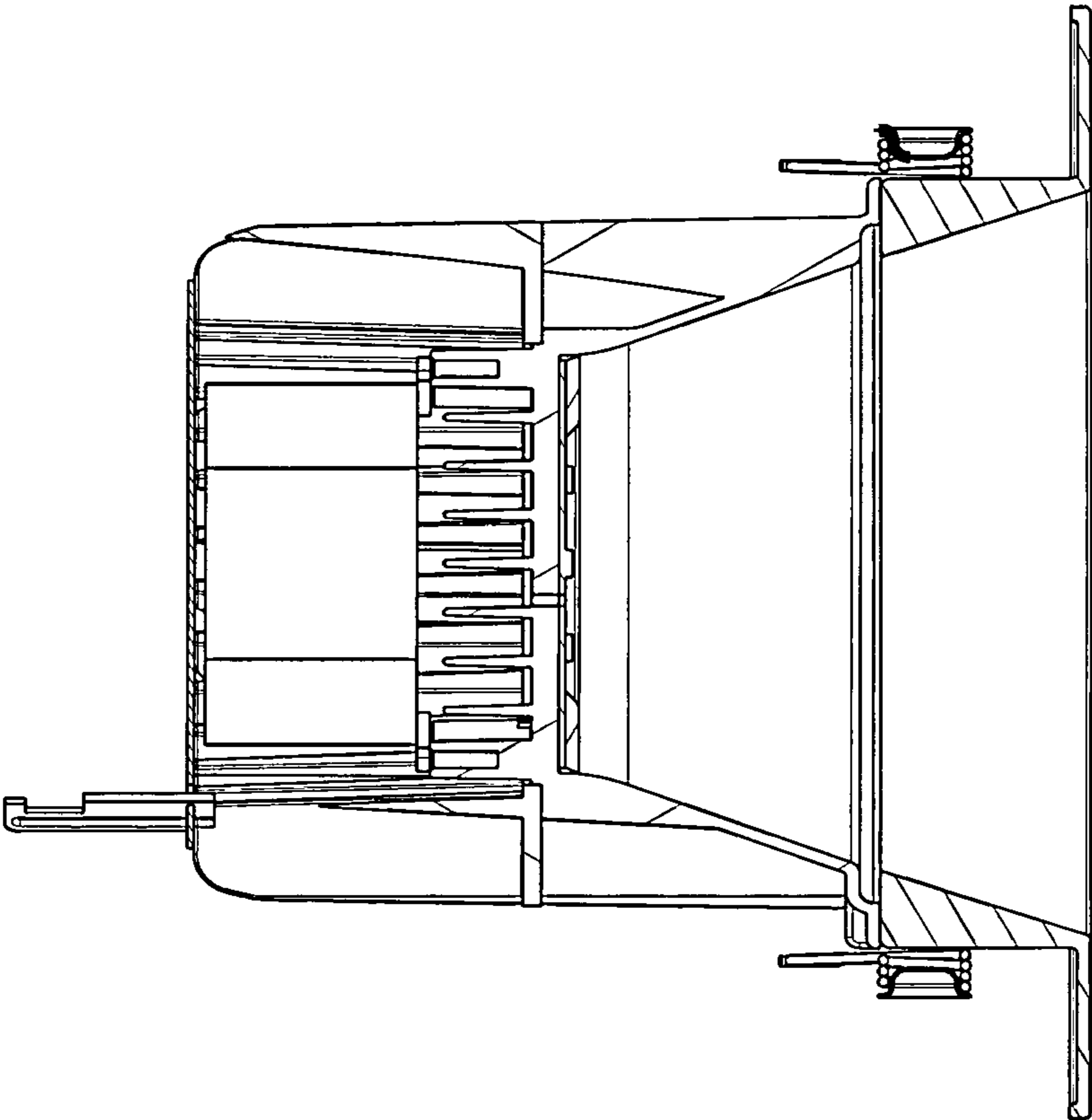


FIG.19

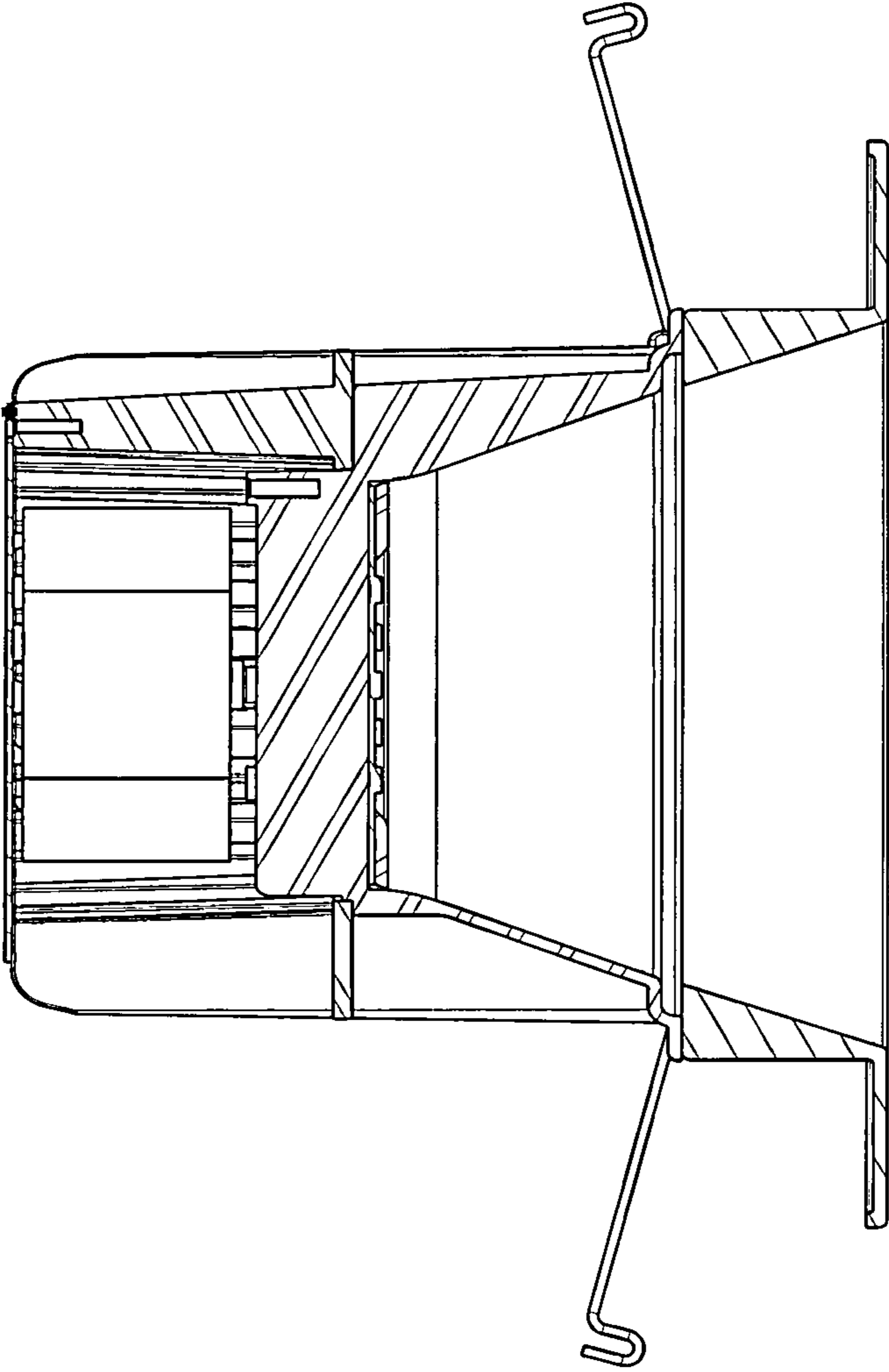


FIG. 20

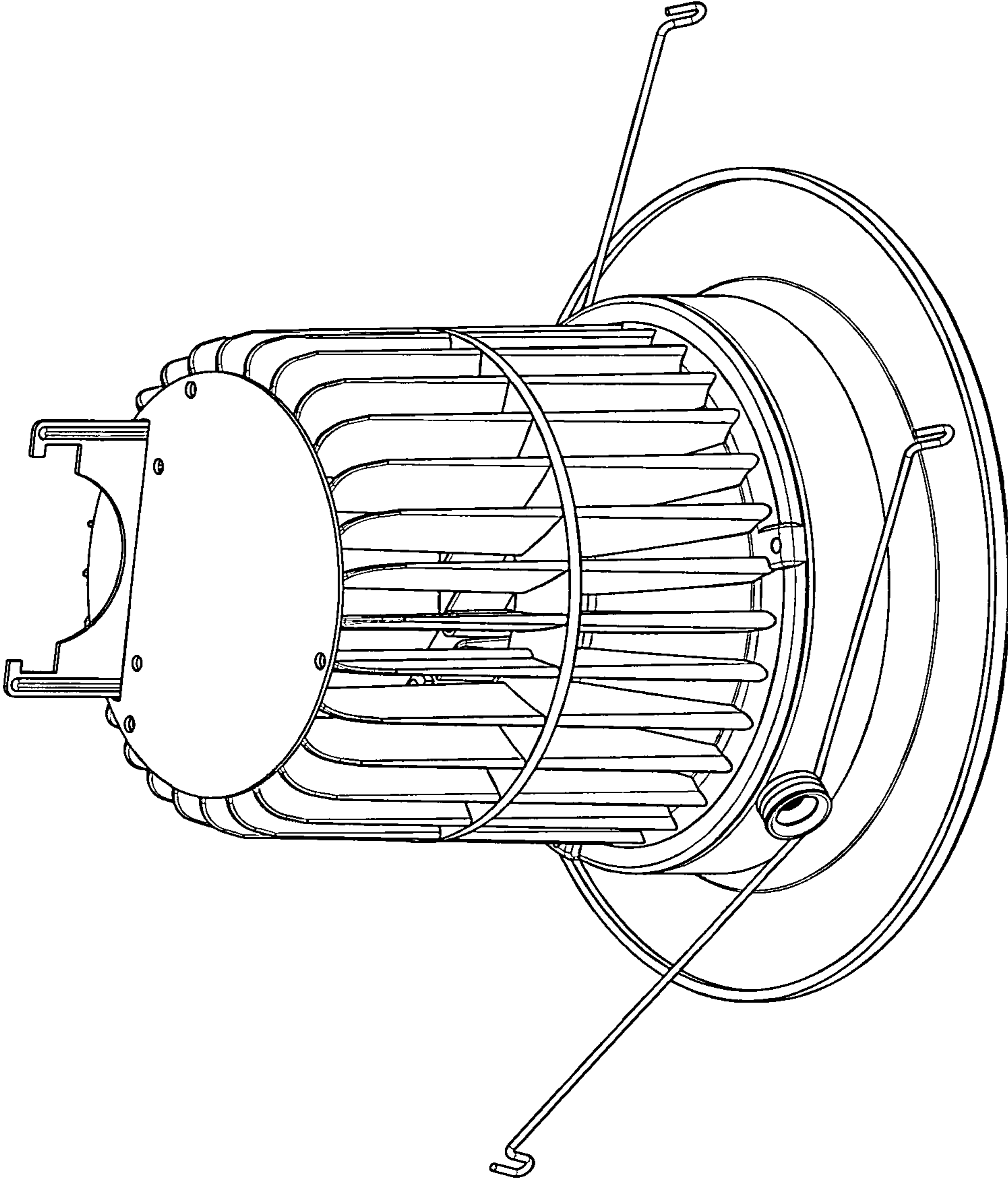


FIG.21

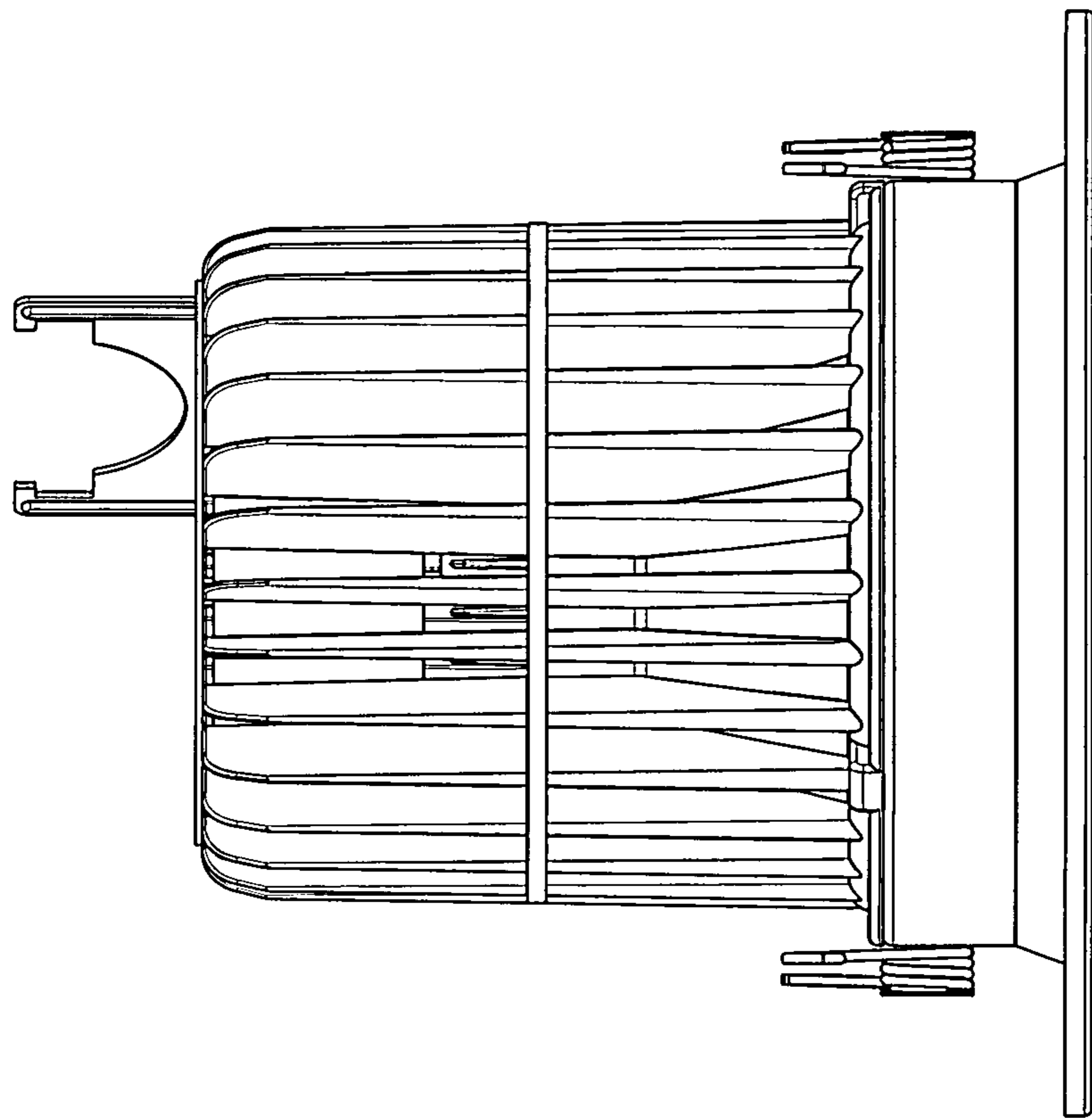


FIG.22

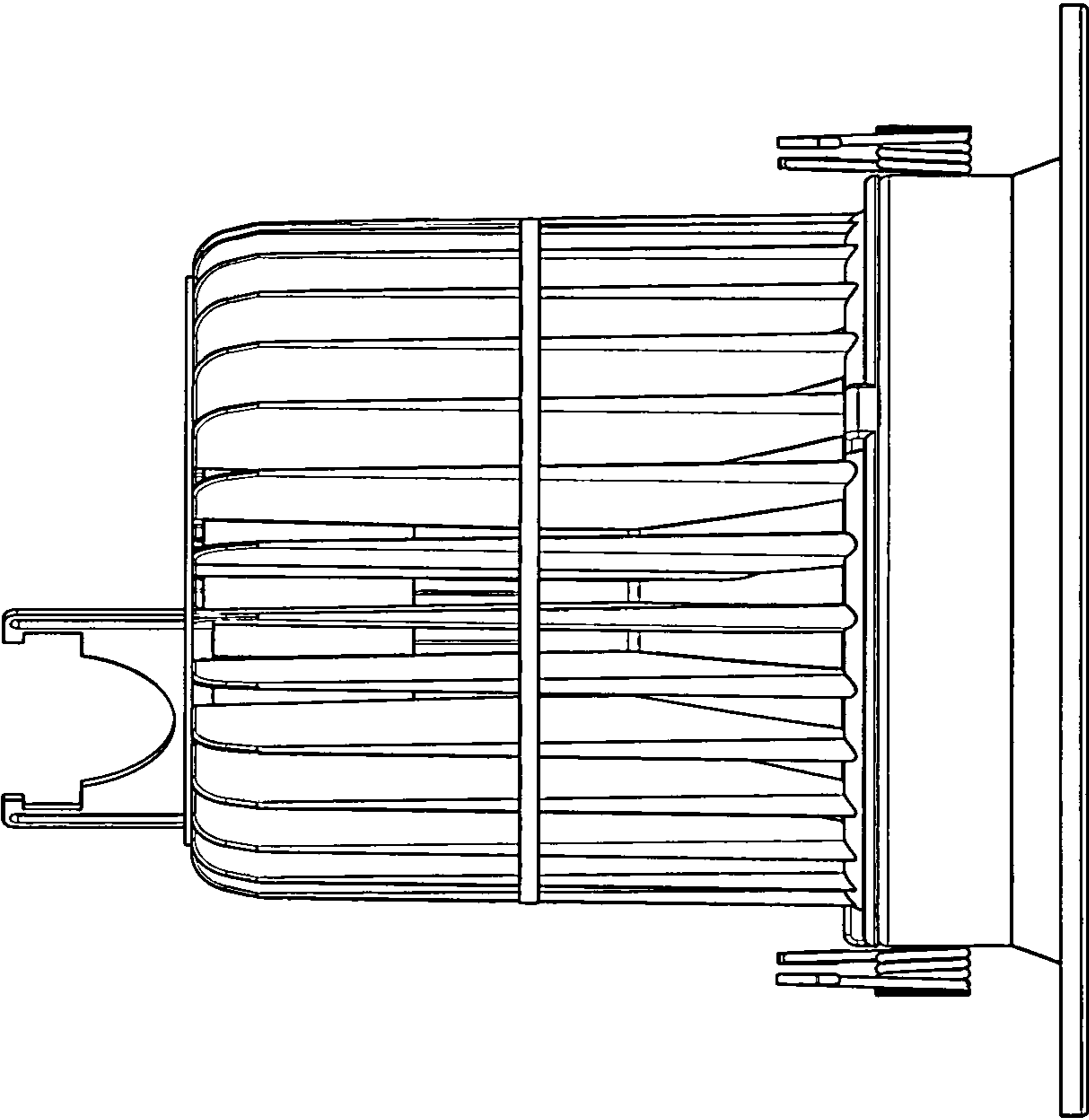


FIG.23

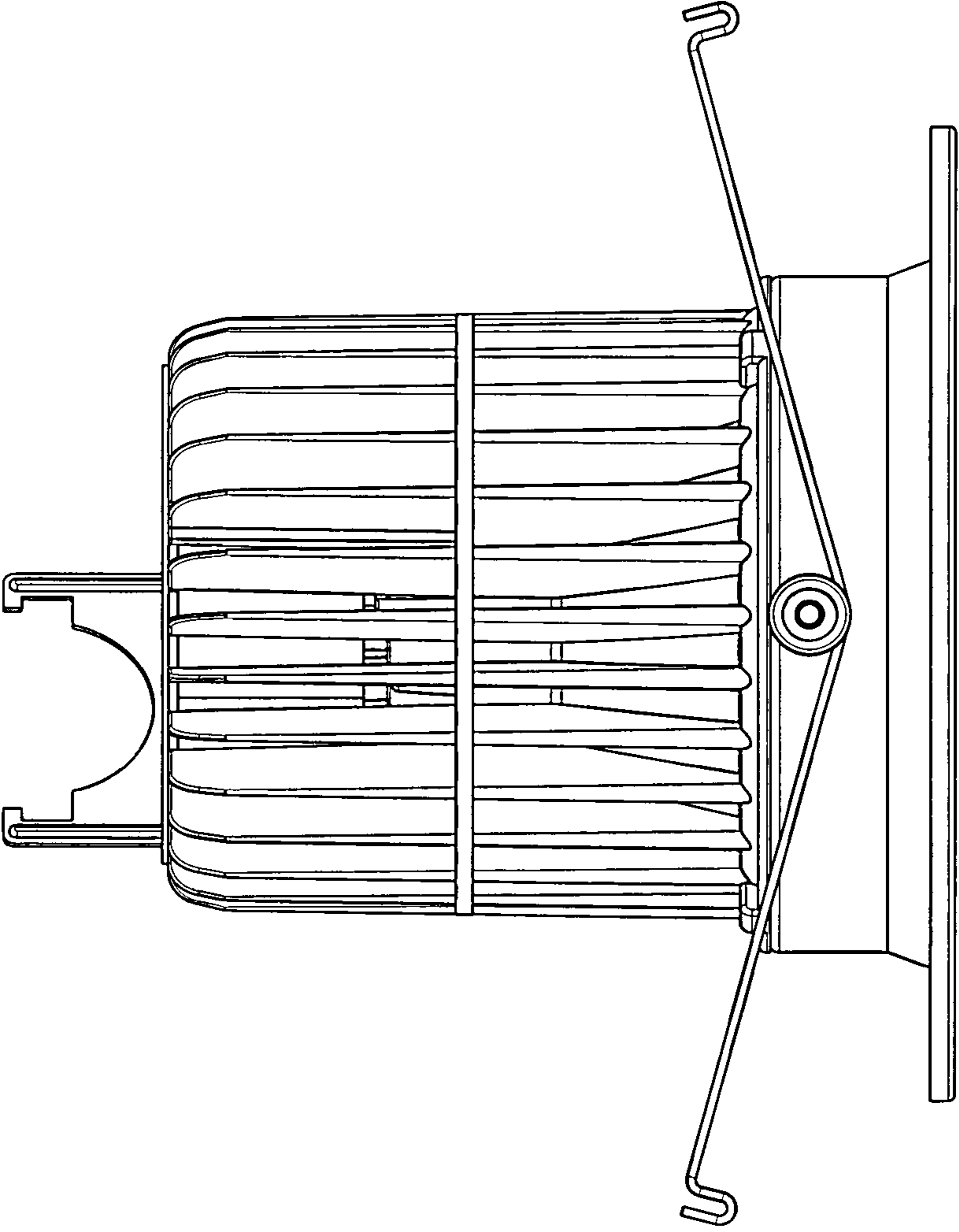


FIG.24

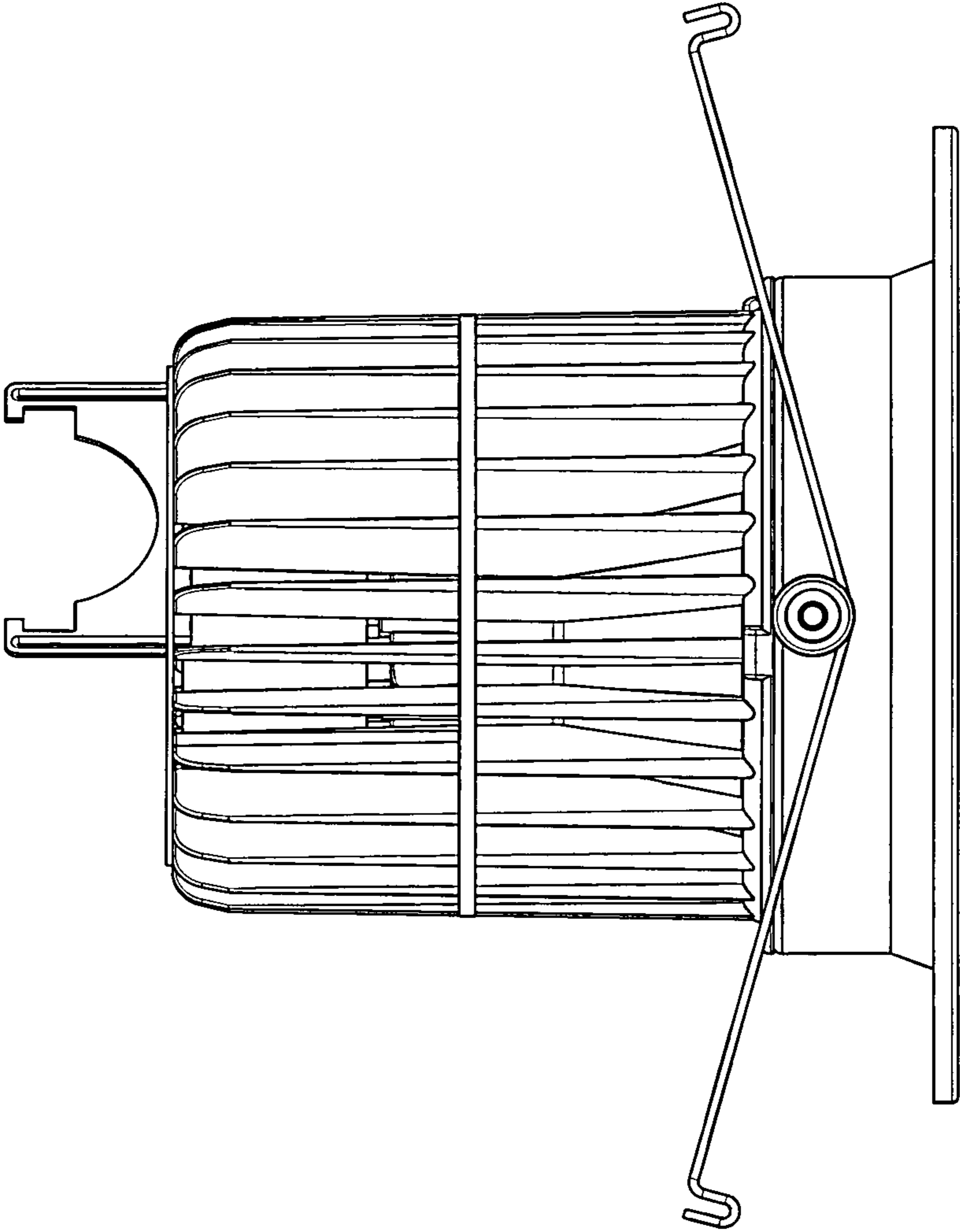


FIG.25

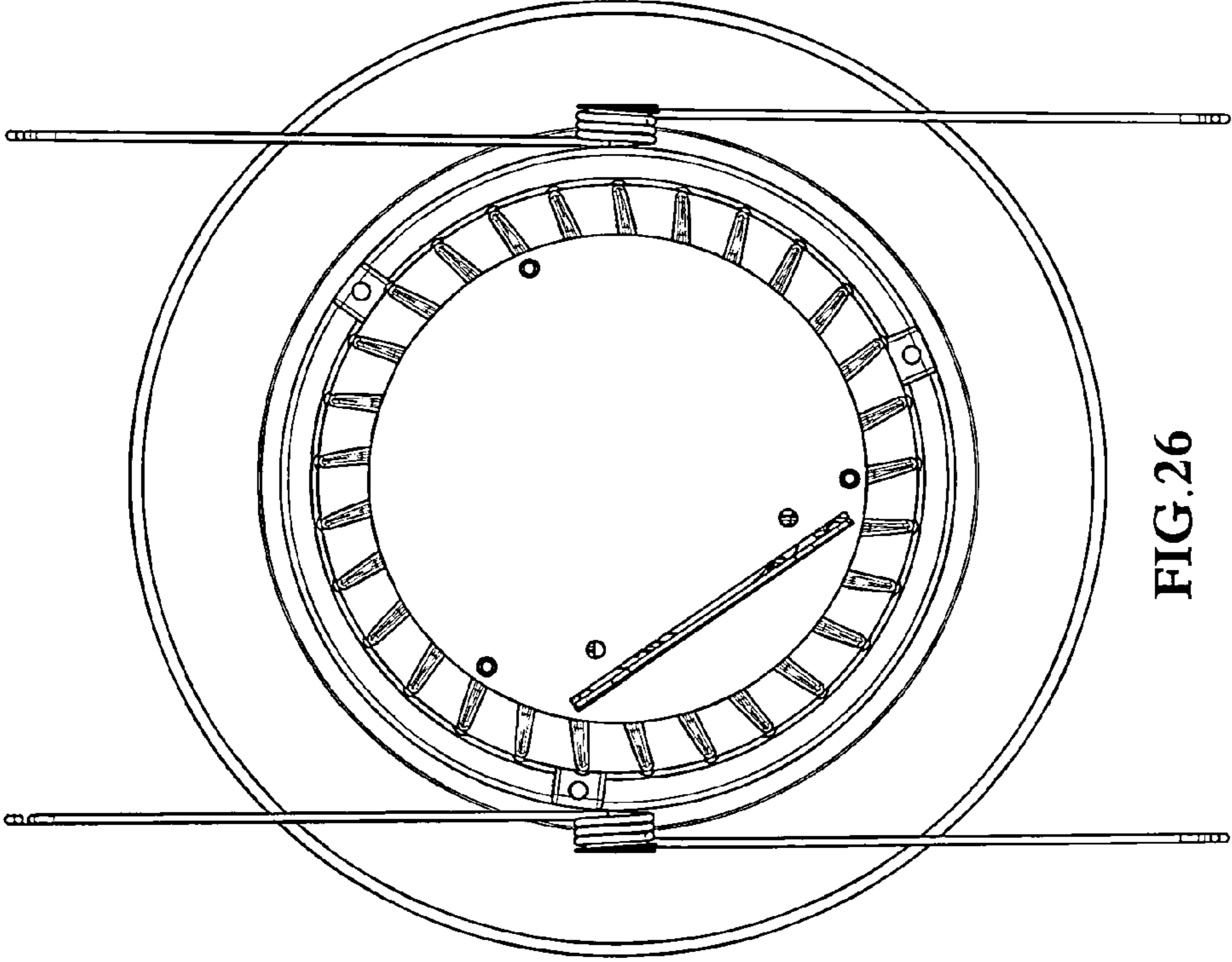


FIG.26

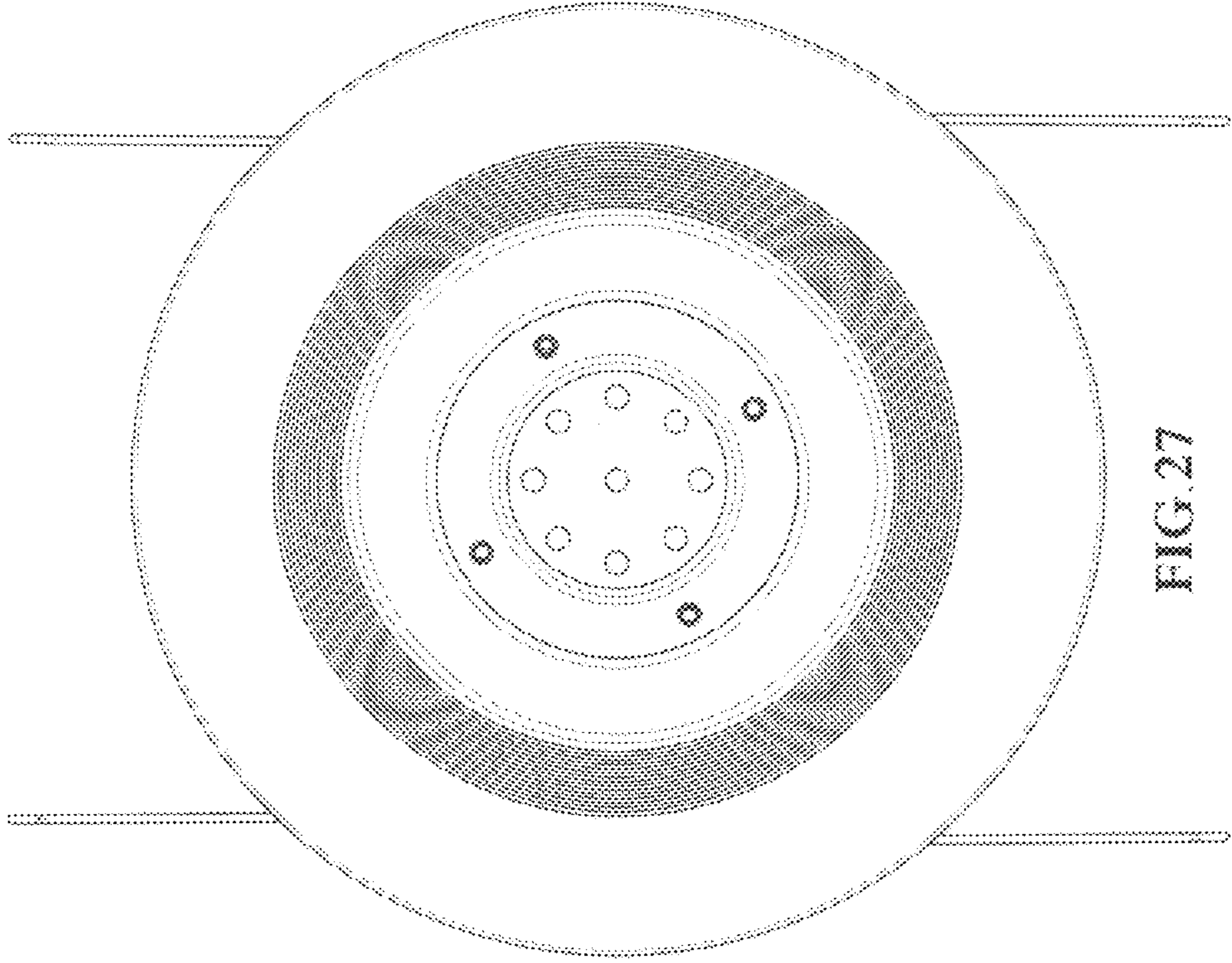


FIG. 27

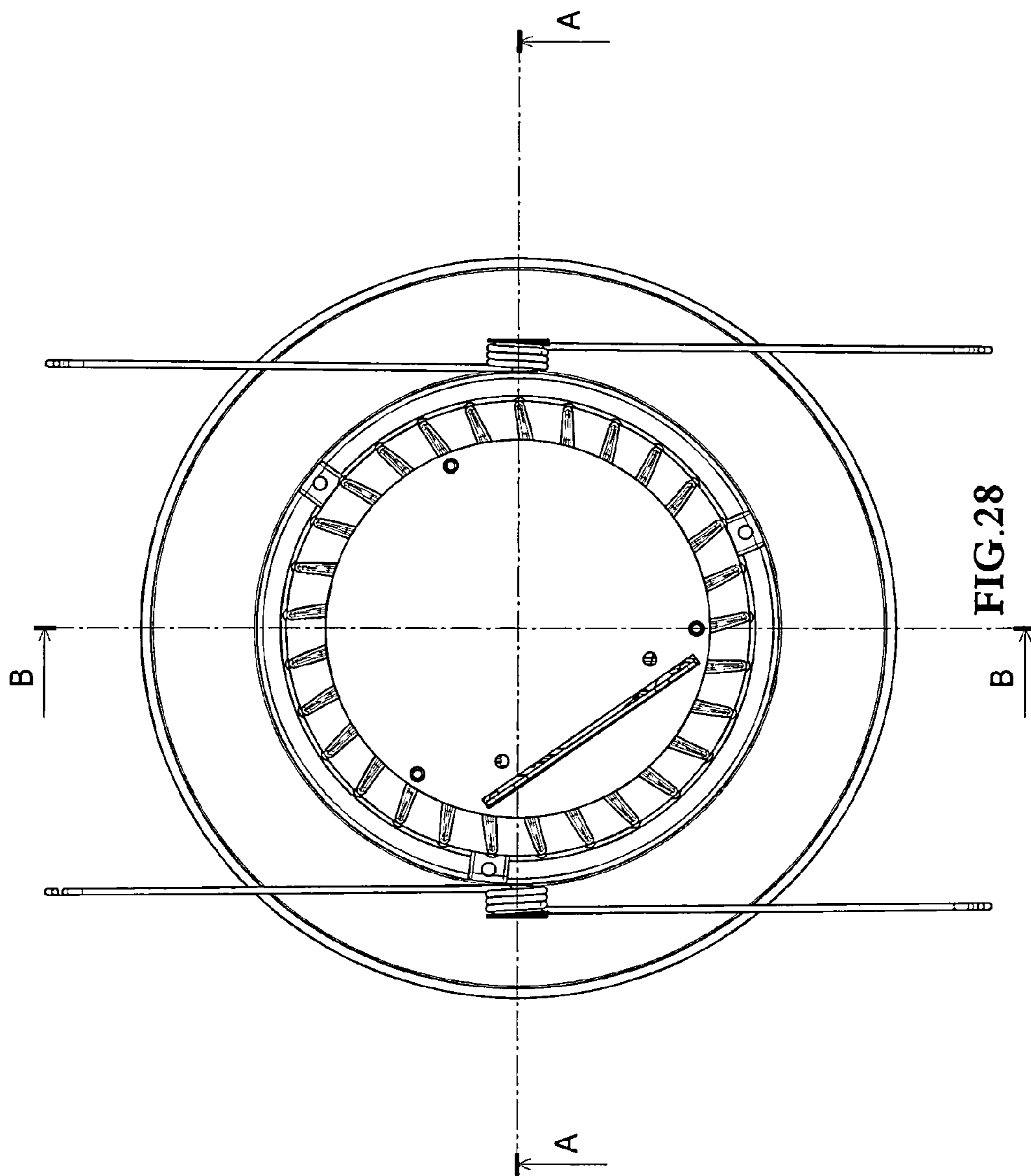


FIG. 28

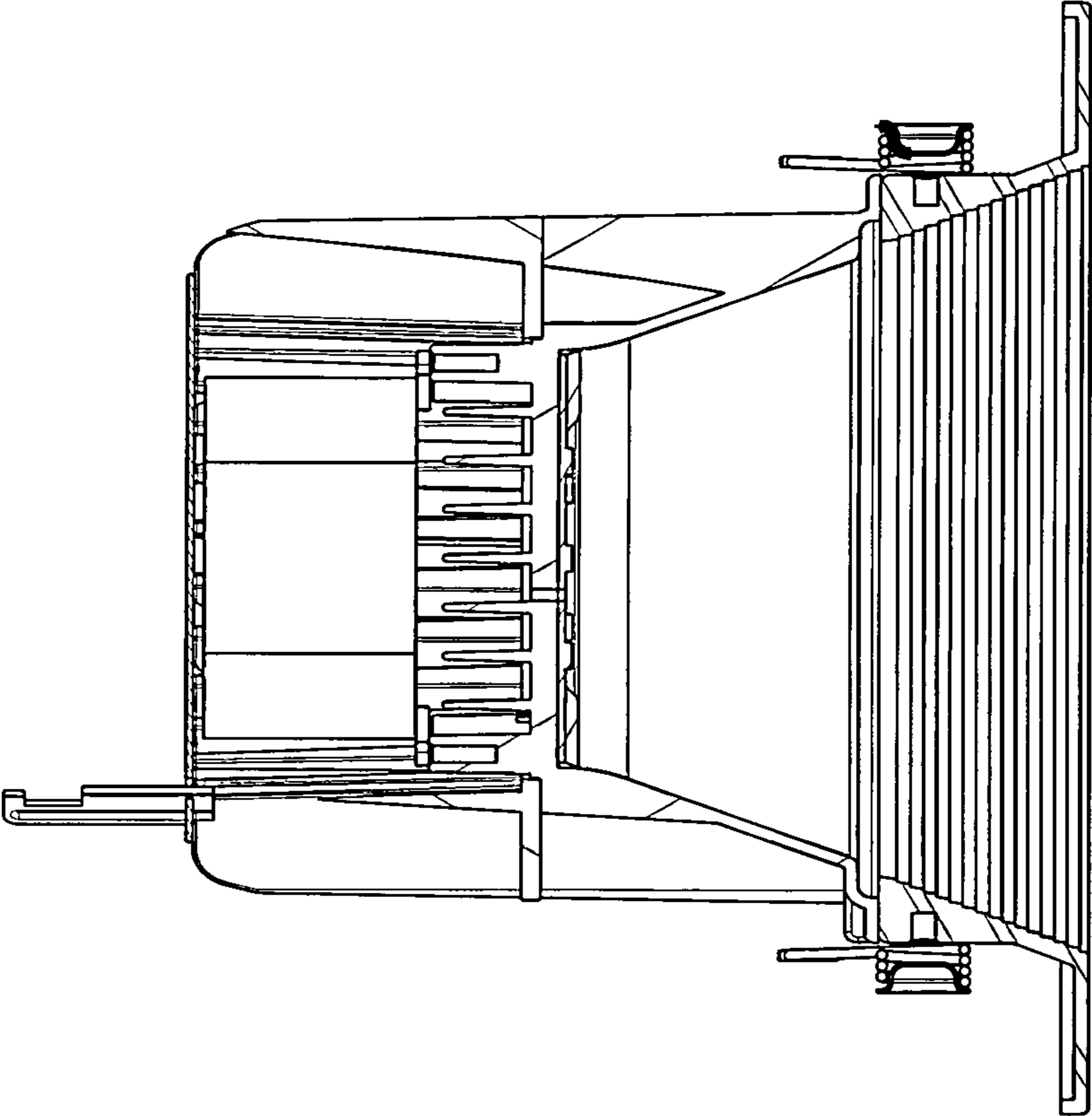


FIG. 29

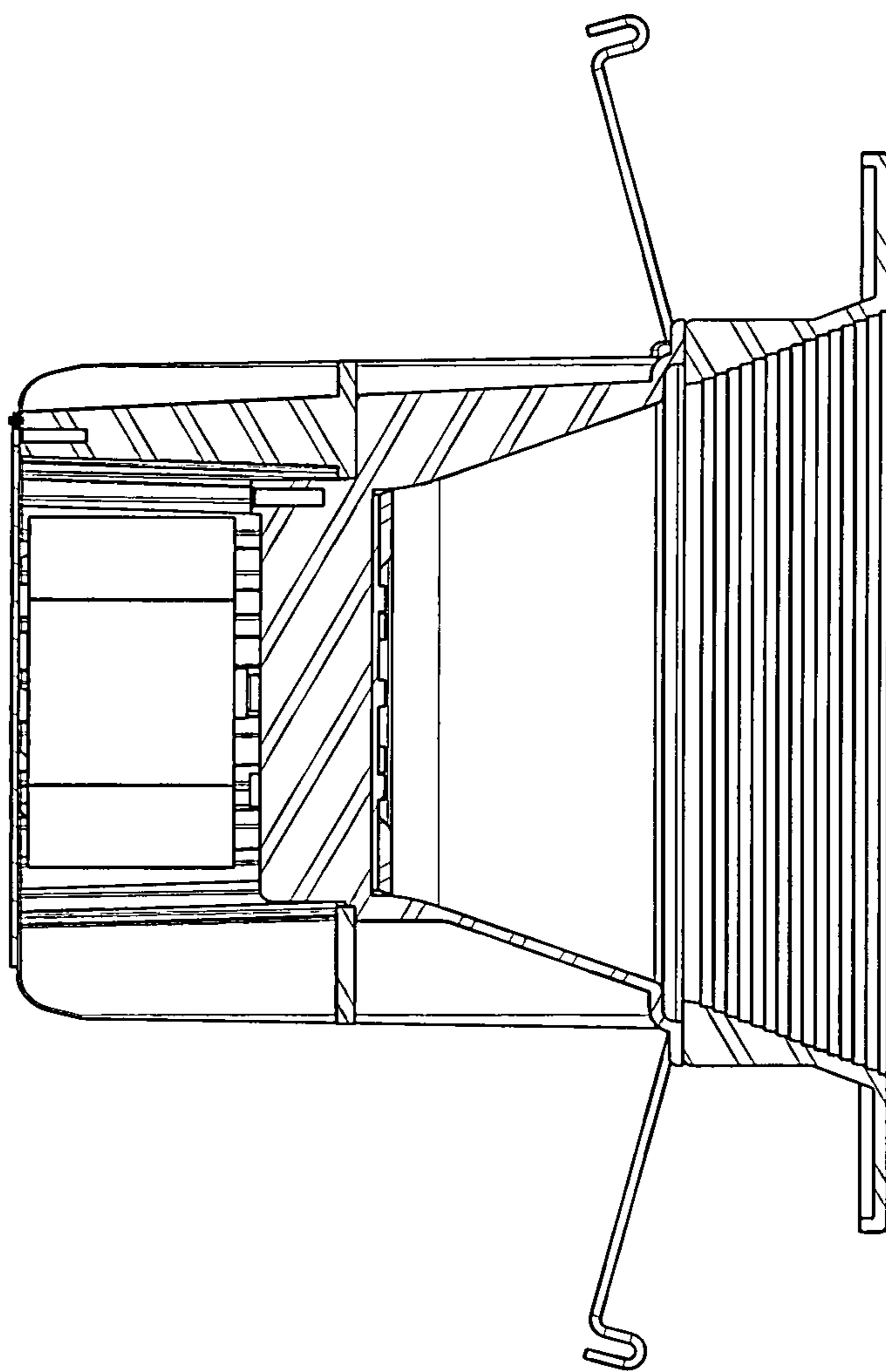


FIG.30

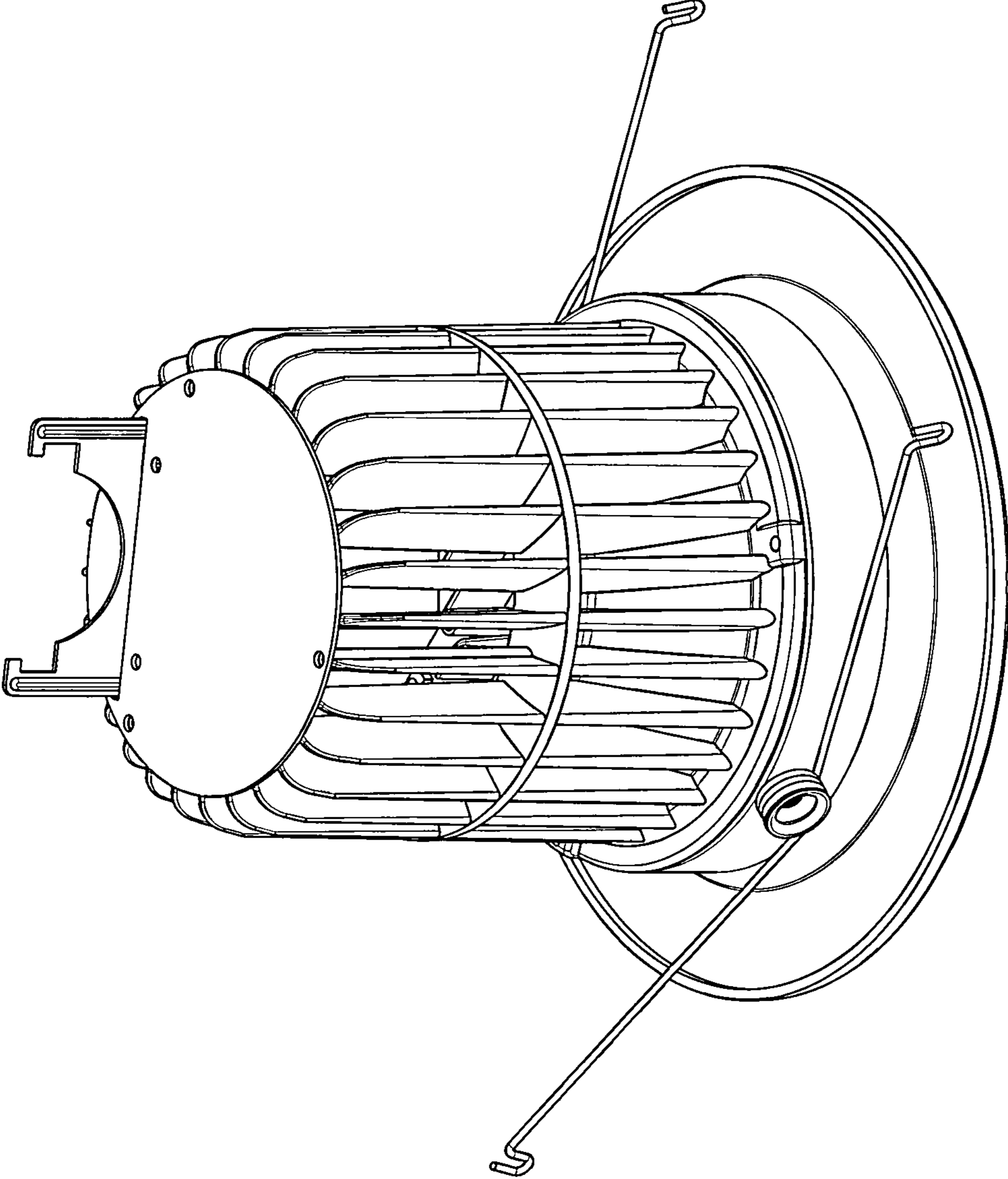


FIG.31

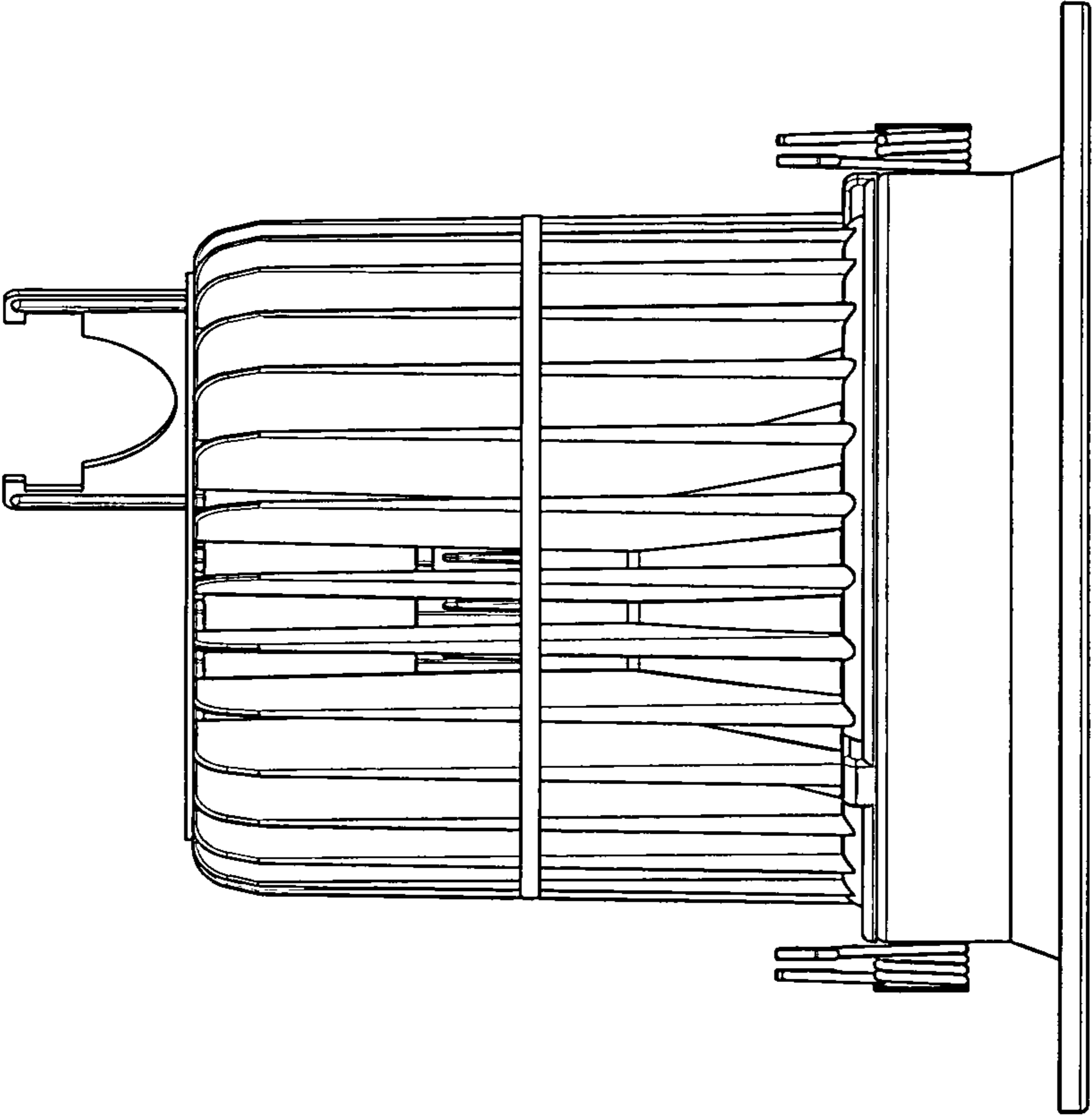


FIG.32

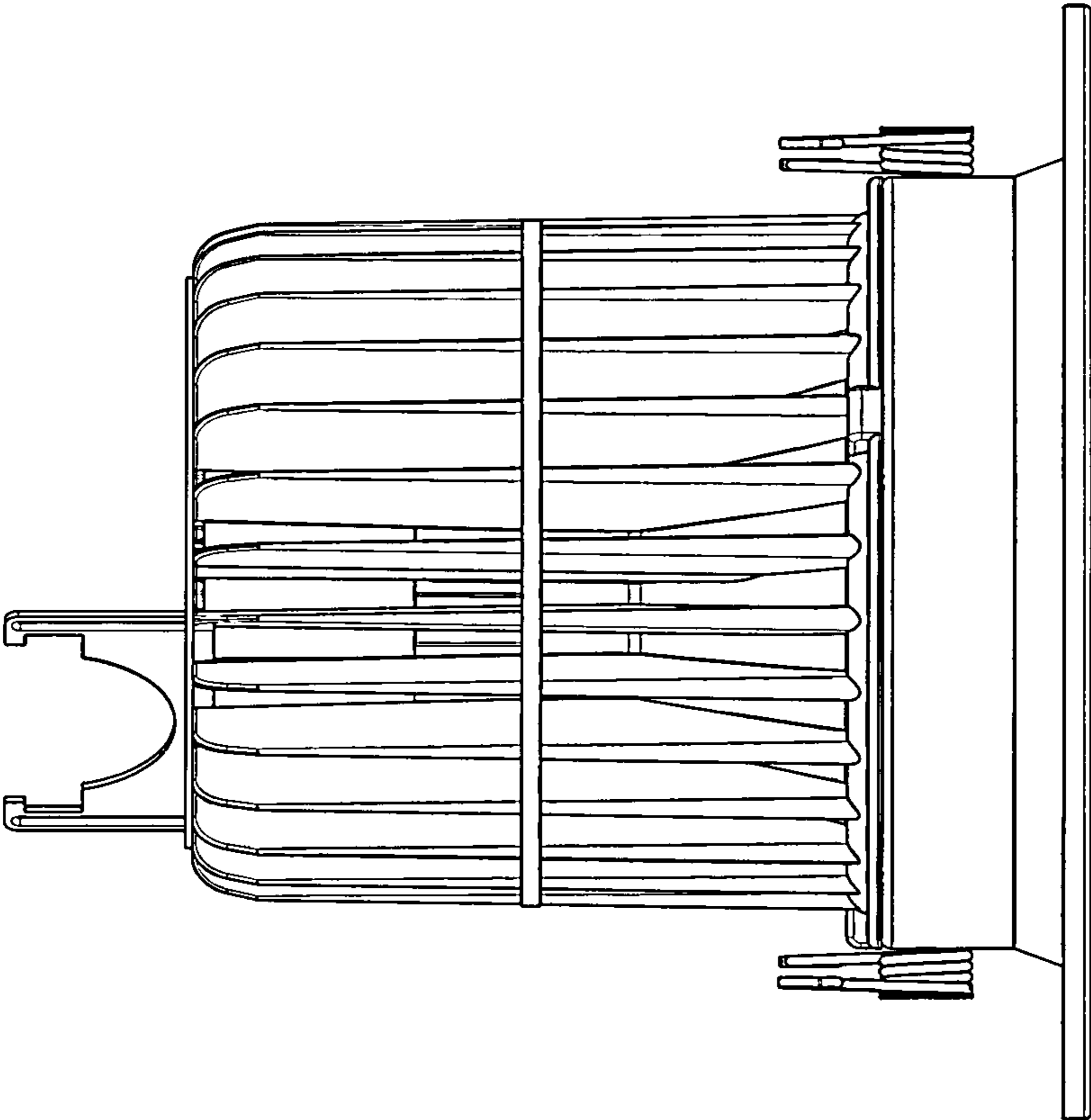


FIG.33

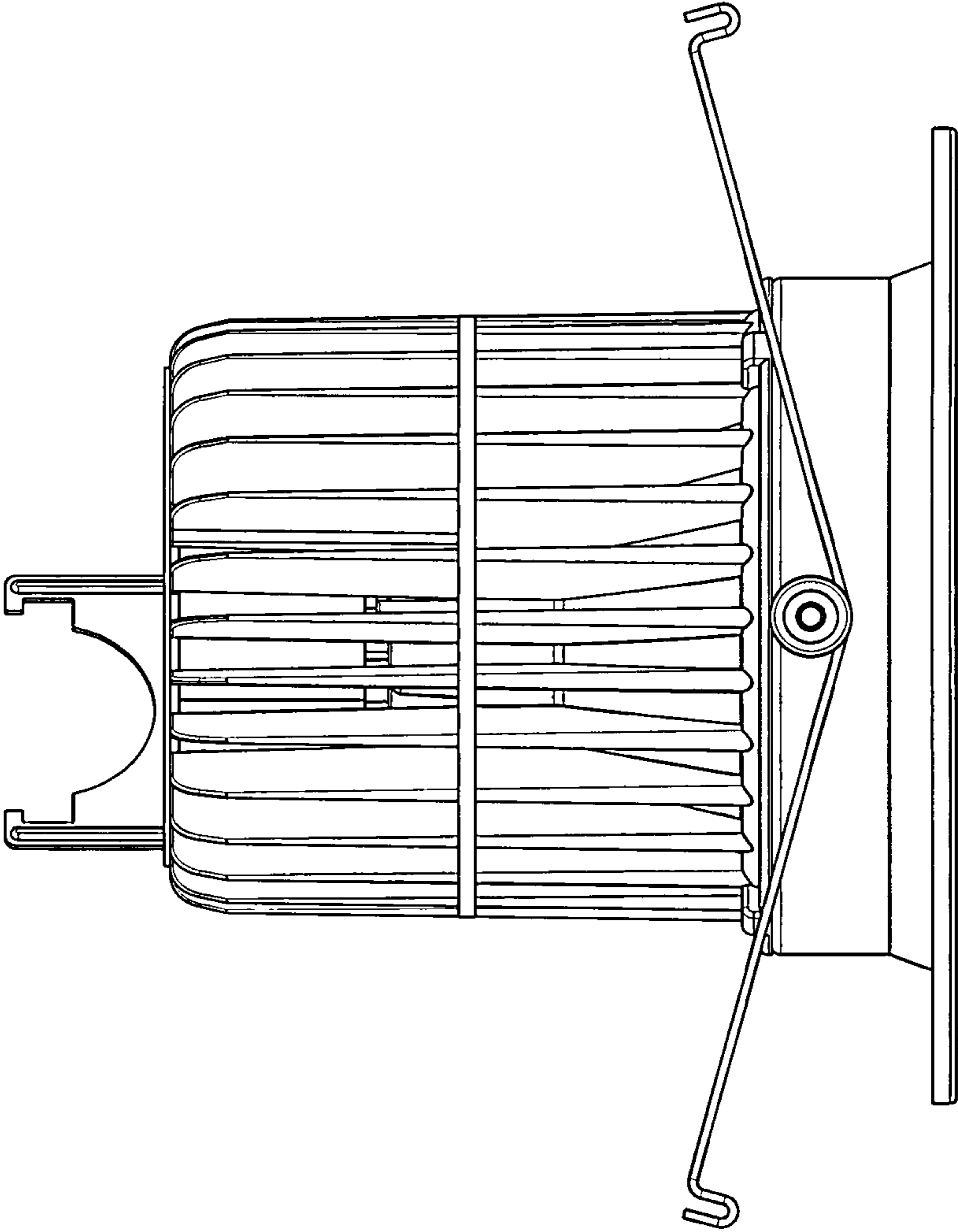


FIG.34

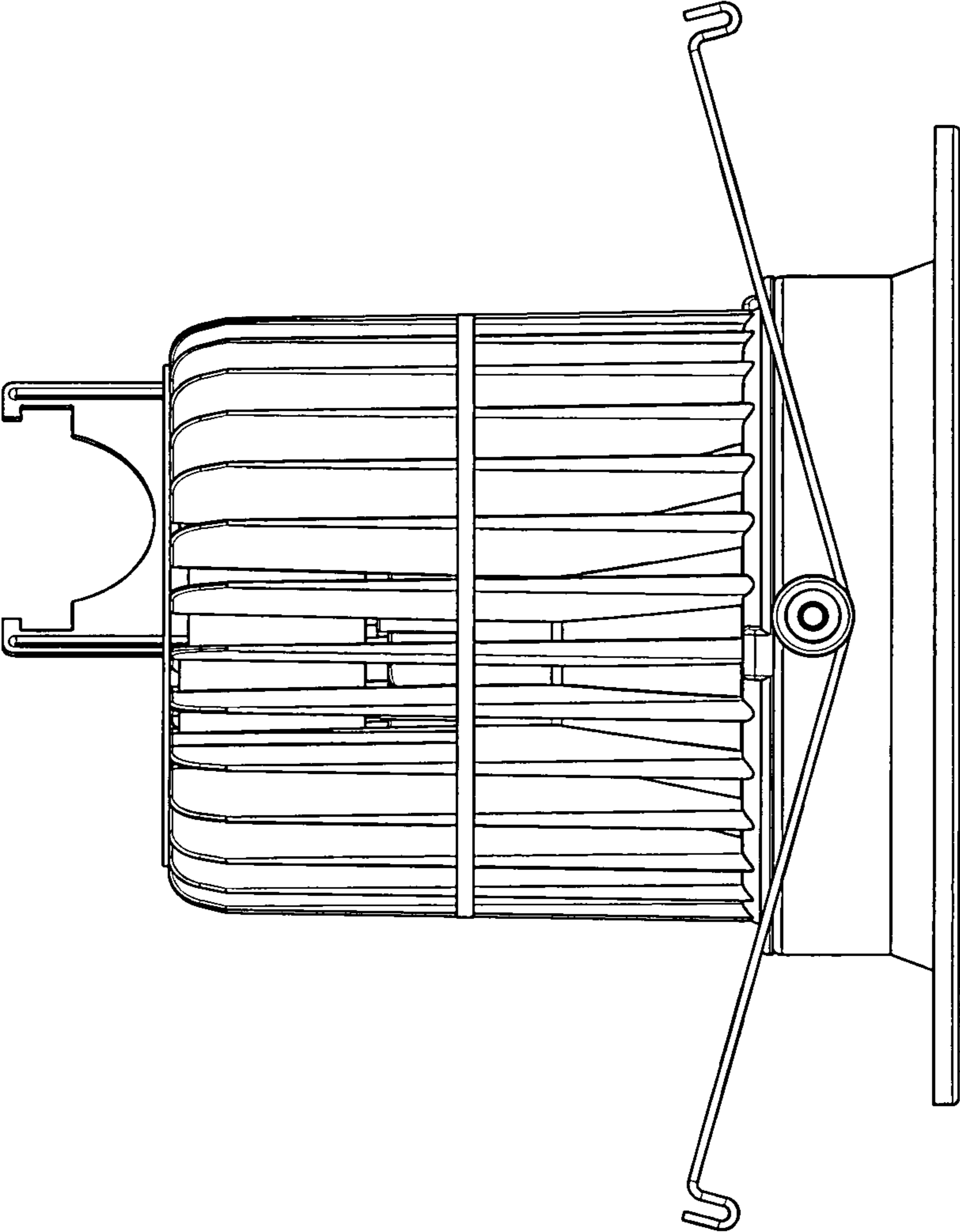


FIG.35

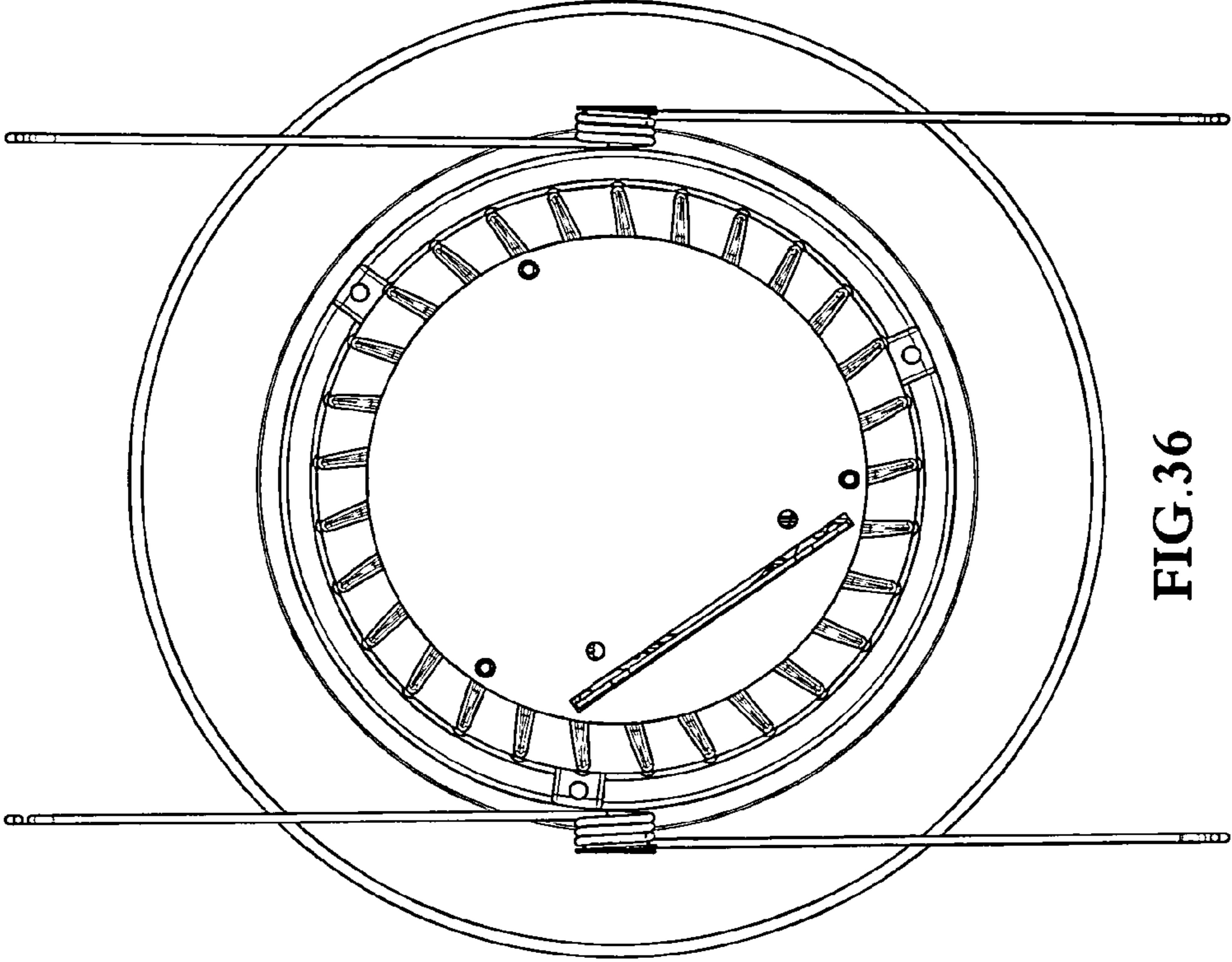


FIG. 36

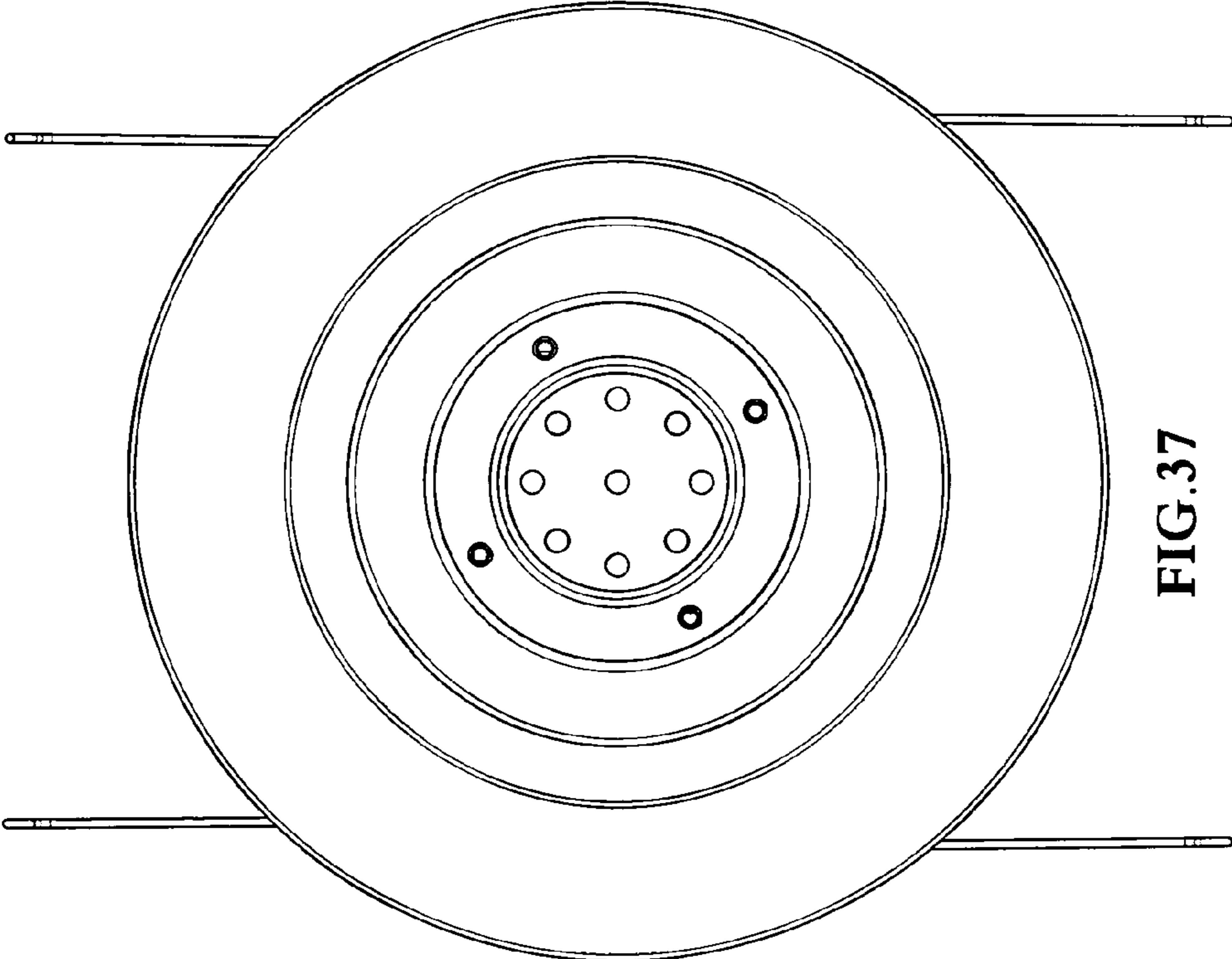


FIG.37

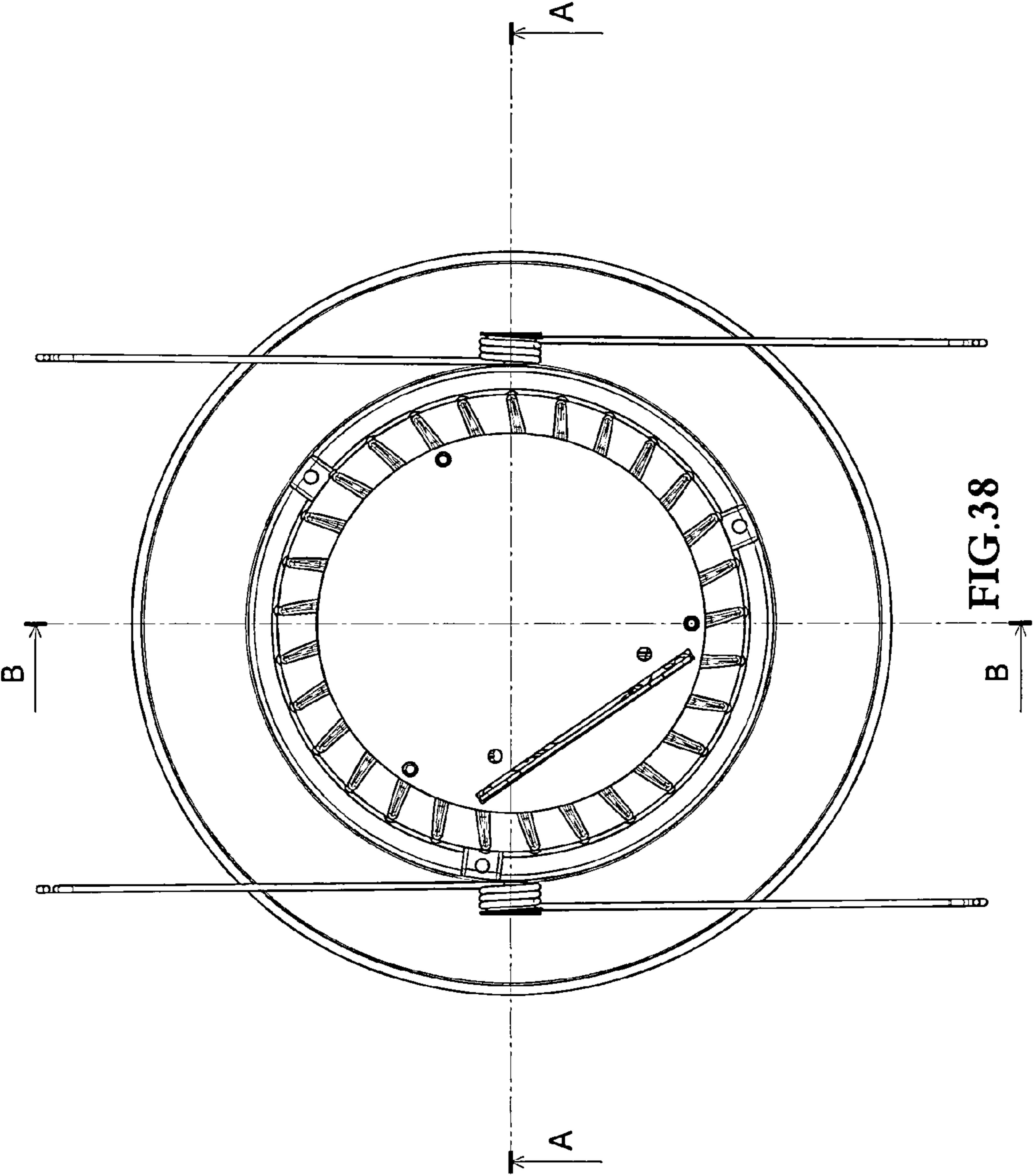


FIG.38

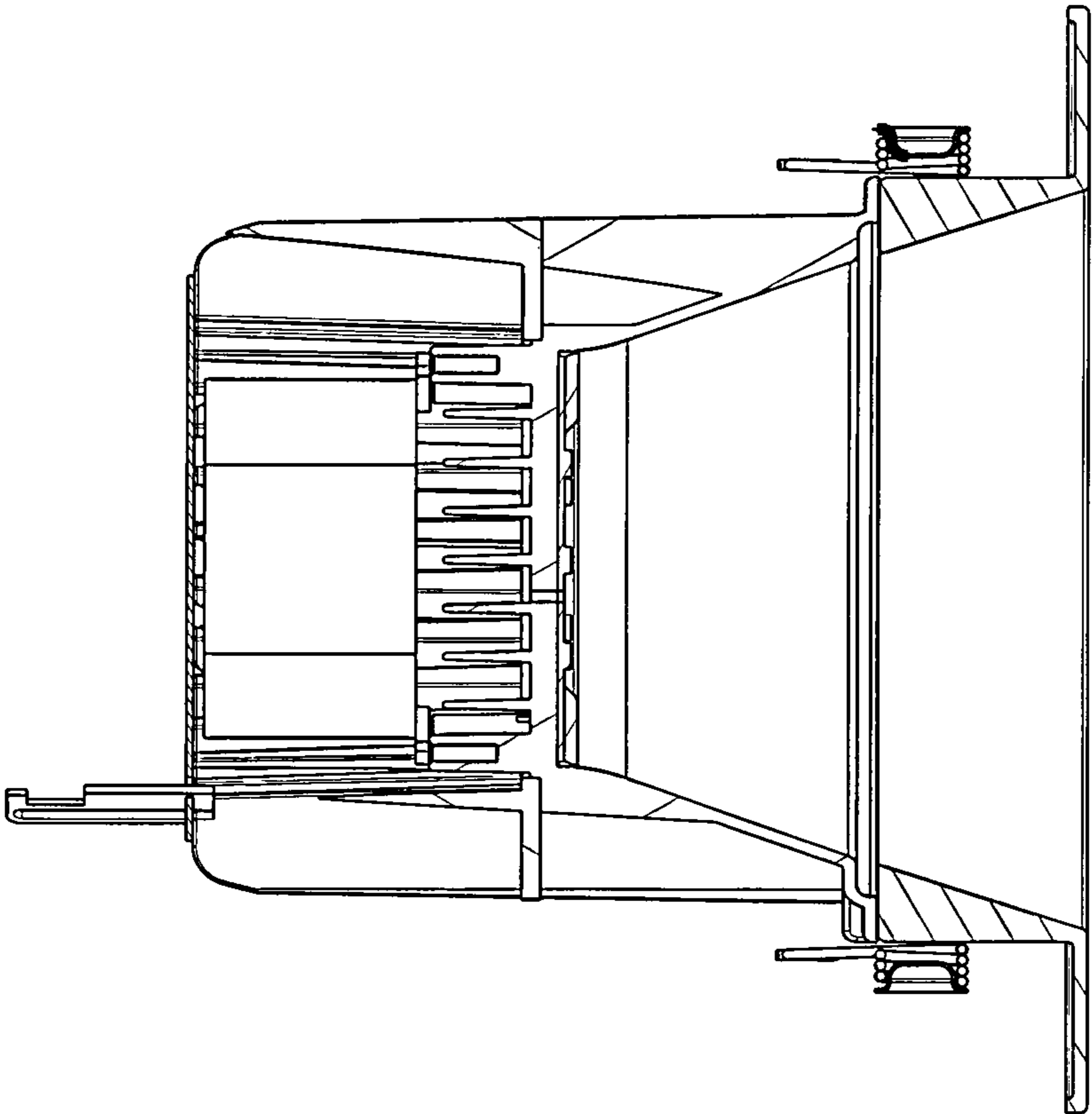


FIG. 39

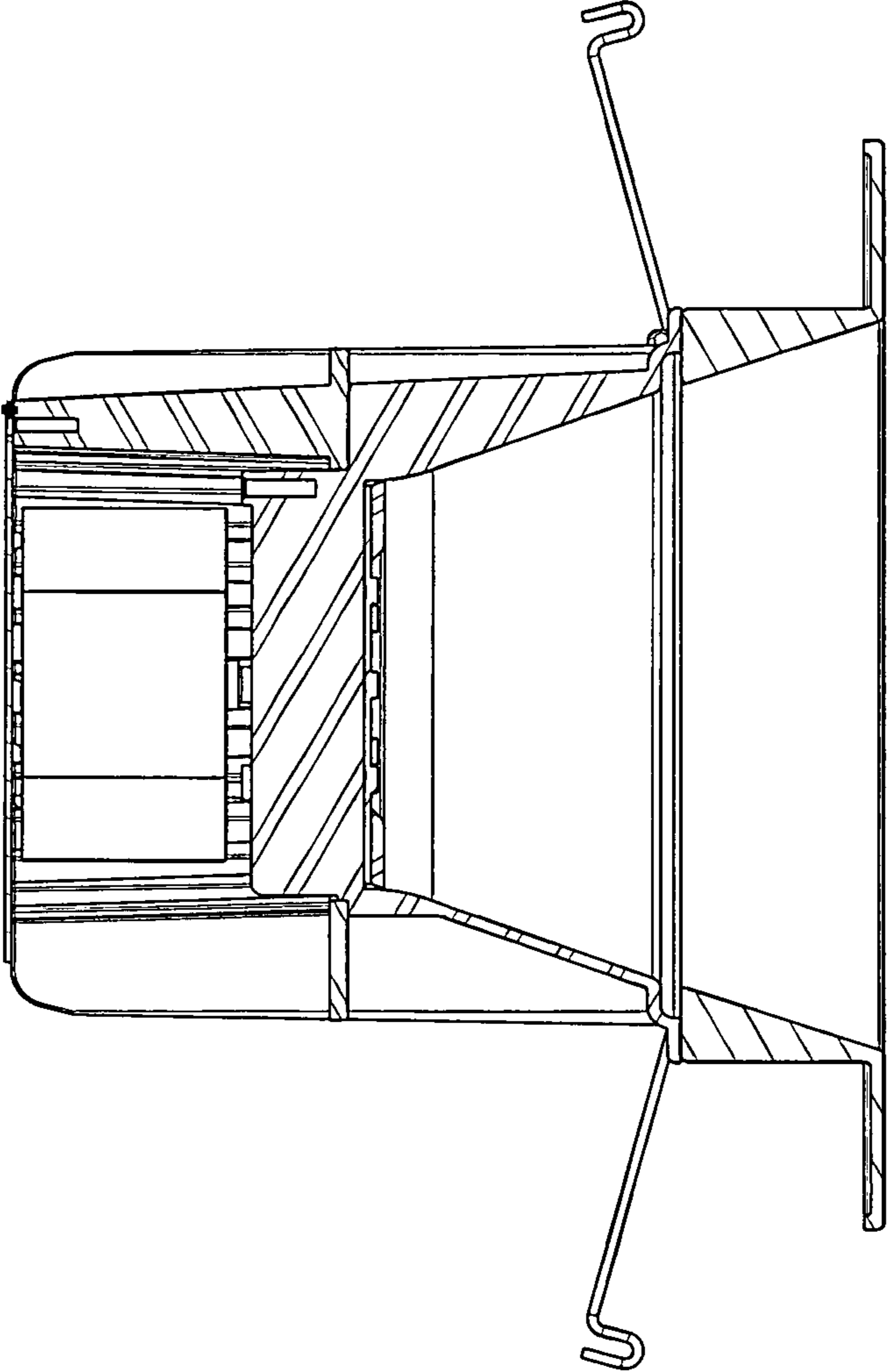


FIG. 40