



US00D684286S

(12) **United States Design Patent**
Rashidi

(10) **Patent No.:** **US D684,286 S**
(45) **Date of Patent:** **** Jun. 11, 2013**

(54) **LED RETROFIT RECESSED LIGHT WITHOUT LENS**

(76) Inventor: **Hamid Rashidi**, Montebello, CA (US)

(**) Term: **14 Years**

(21) Appl. No.: **29/374,820**

(22) Filed: **Oct. 12, 2011**

Related U.S. Application Data

(63) Continuation-in-part of application No. 29/349,045, filed on Mar. 2, 2010, now Pat. No. Des. 659,878.

(51) **LOC (9) Cl.** **26-05**

(52) **U.S. Cl.**

USPC **D26/74**

(58) **Field of Classification Search**

USPC D26/24, 72, 80, 81, 83, 85, 88, 89,
D26/91, 113, 118, 123, 124, 138, 74, 76;
362/145, 146, 147, 148, 150, 153, 294, 296.01,
362/296.07, 296.08, 311.07, 311.09, 311.1,
362/345, 364, 365, 366, 373

See application file for complete search history.

(56) **References Cited**

U.S. PATENT DOCUMENTS

D573,294 S * 7/2008 Chan et al. D26/74
D610,290 S * 2/2010 Yoshinobu et al. D26/74
D646,011 S * 9/2011 Rashidi D26/74

(Continued)

Primary Examiner — Angela J Lee

(74) *Attorney, Agent, or Firm* — Thomas I. Rozsa

(57) **CLAIM**

The ornamental design for an LED retrofit recessed light without lens, as shown and described.

DESCRIPTION

FIG. 1 is a perspective view of a preferred embodiment of the LED retrofit recessed light without lens, showing my new design;

FIG. 2 is a front elevational view thereof;

FIG. 3 is a rear elevational view thereof;

FIG. 4 is a left side elevational view thereof;

FIG. 5 is a right side elevational view thereof;

FIG. 6 is a top plan view thereof;

FIG. 7 is a bottom plan view of a first alternative embodiment of the LED retrofit recessed light without lens and at least one LED and a reflector with a lower baffle;

FIG. 8 is a top plan view of the LED retrofit recessed light without lens with section lines A-A and B-B;

FIG. 9 is a side sectional view taken along Line A-A of FIG. 8 for the embodiment represented in FIG. 7;

FIG. 10 is a side sectional view taken along Line B-B of FIG. 8 for the embodiment represented in FIG. 7;

FIG. 11 is a perspective view of a first alternative embodiment of the LED retrofit recessed light without lens, showing my design;

FIG. 12 is a front elevational view thereof;

FIG. 13 is a rear elevational view thereof;

FIG. 14 is a left side elevational view thereof;

FIG. 15 is a right side elevational view thereof;

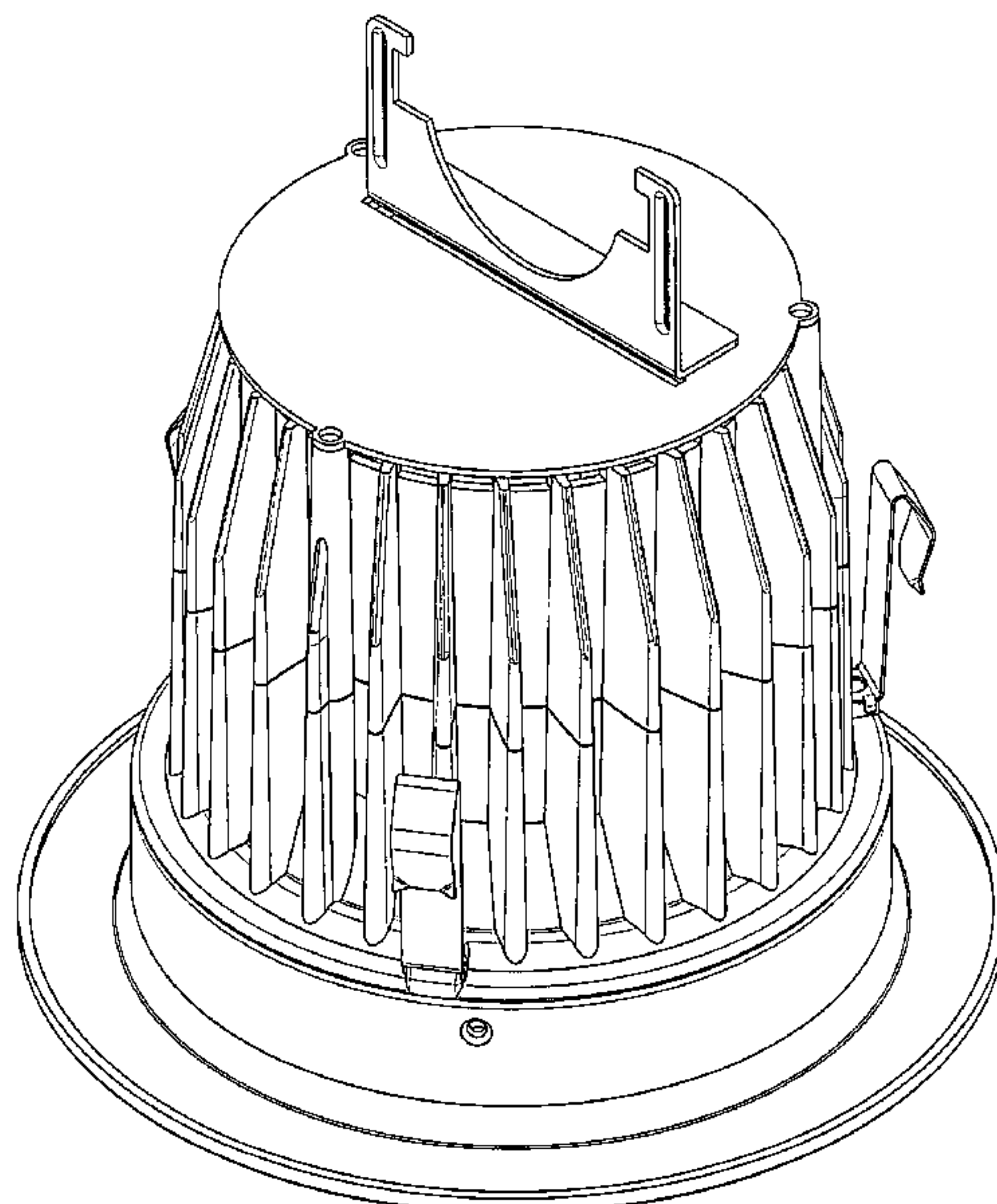
FIG. 16 is a top plan view thereof;

FIG. 17 is a bottom plan view of a second alternative embodiment of the LED retrofit recessed light without lens and at least one LED and a smooth lower reflector;

FIG. 18 is a top plan view of the LED retrofit recessed light without lens with section lines A-A and B-B for the embodiment represented in FIG. 17;

FIG. 19 is a side sectional view taken along Line A-A of FIG. 18 for the embodiment represented in FIG. 17; and,

FIG. 20 is a side sectional view taken along Line B-B of FIG. 18 for the embodiment represented in FIG. 17.



1 Claim, 20 Drawing Sheets

US D684,286 S

Page 2

U.S. PATENT DOCUMENTS

D654,205 S *	2/2012	Rashidi	D26/74	8,182,116 B2 *	5/2012	Zhang et al.	362/294
D656,262 S *	3/2012	Yoshinobu et al.	D26/74	D663,466 S *	7/2012	Rashidi	D26/74
D656,263 S *	3/2012	Ogawa et al.	D26/74	D663,888 S *	7/2012	Davis	D26/138
D658,802 S *	5/2012	Chen	D26/74	8,262,255 B1 *	9/2012	Rashidi	362/249.02
D659,878 S *	5/2012	Rashidi	D26/74	D669,620 S *	10/2012	Rashidi	D26/74
D659,879 S *	5/2012	Rashidi	D26/74	2010/0039829 A1 *	2/2010	Tsai	362/373

* cited by examiner

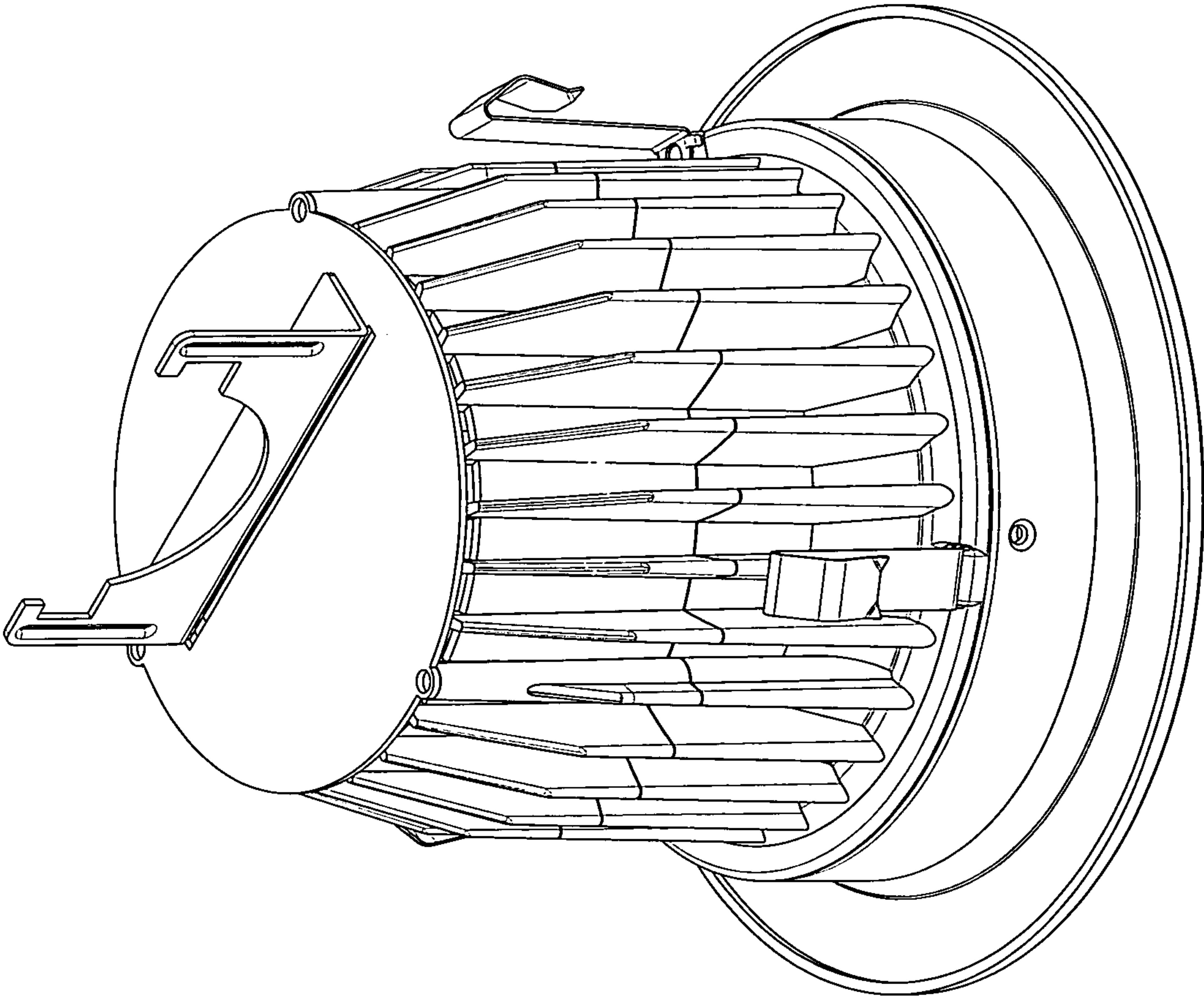


FIG.1

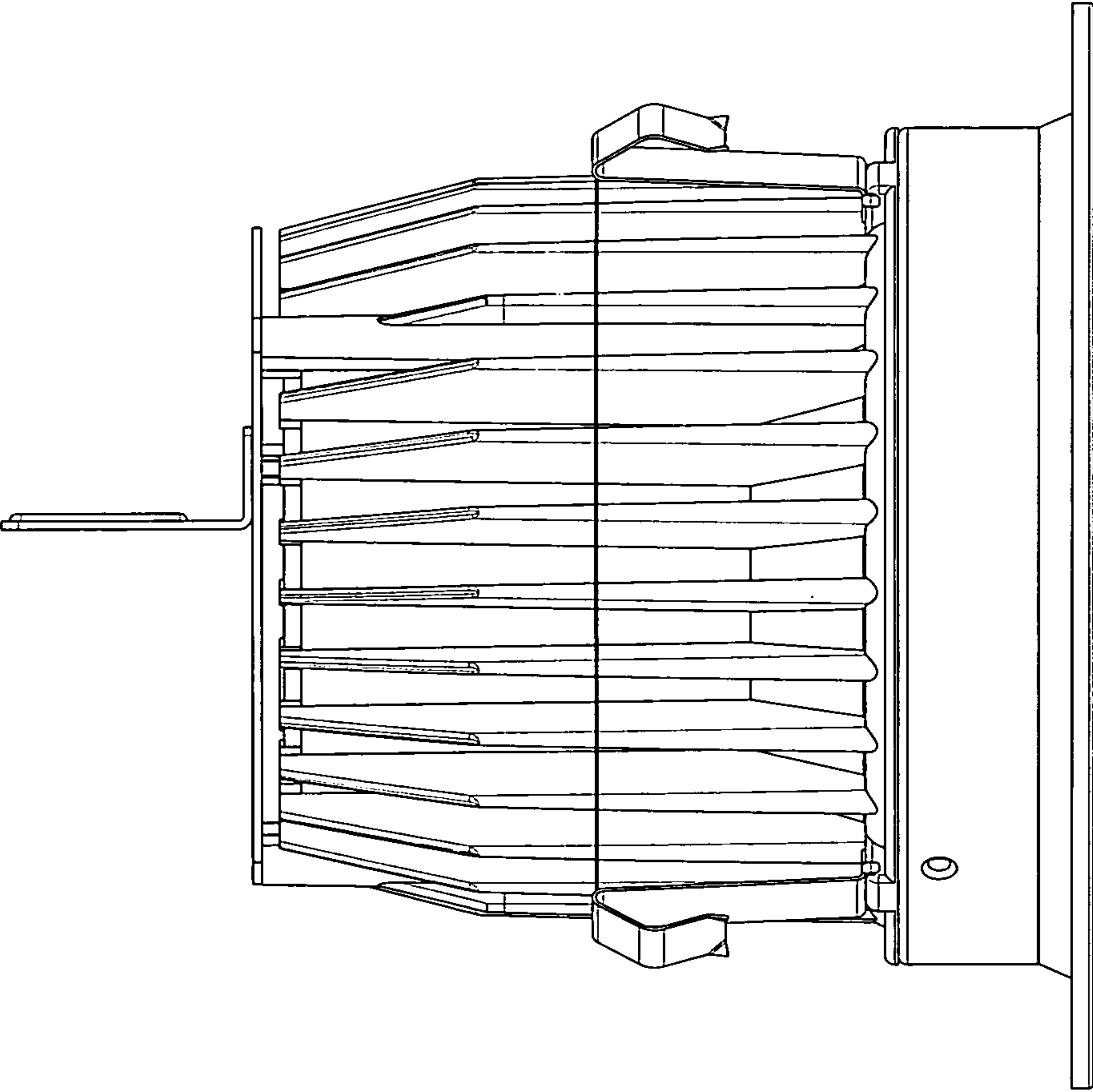


FIG. 2

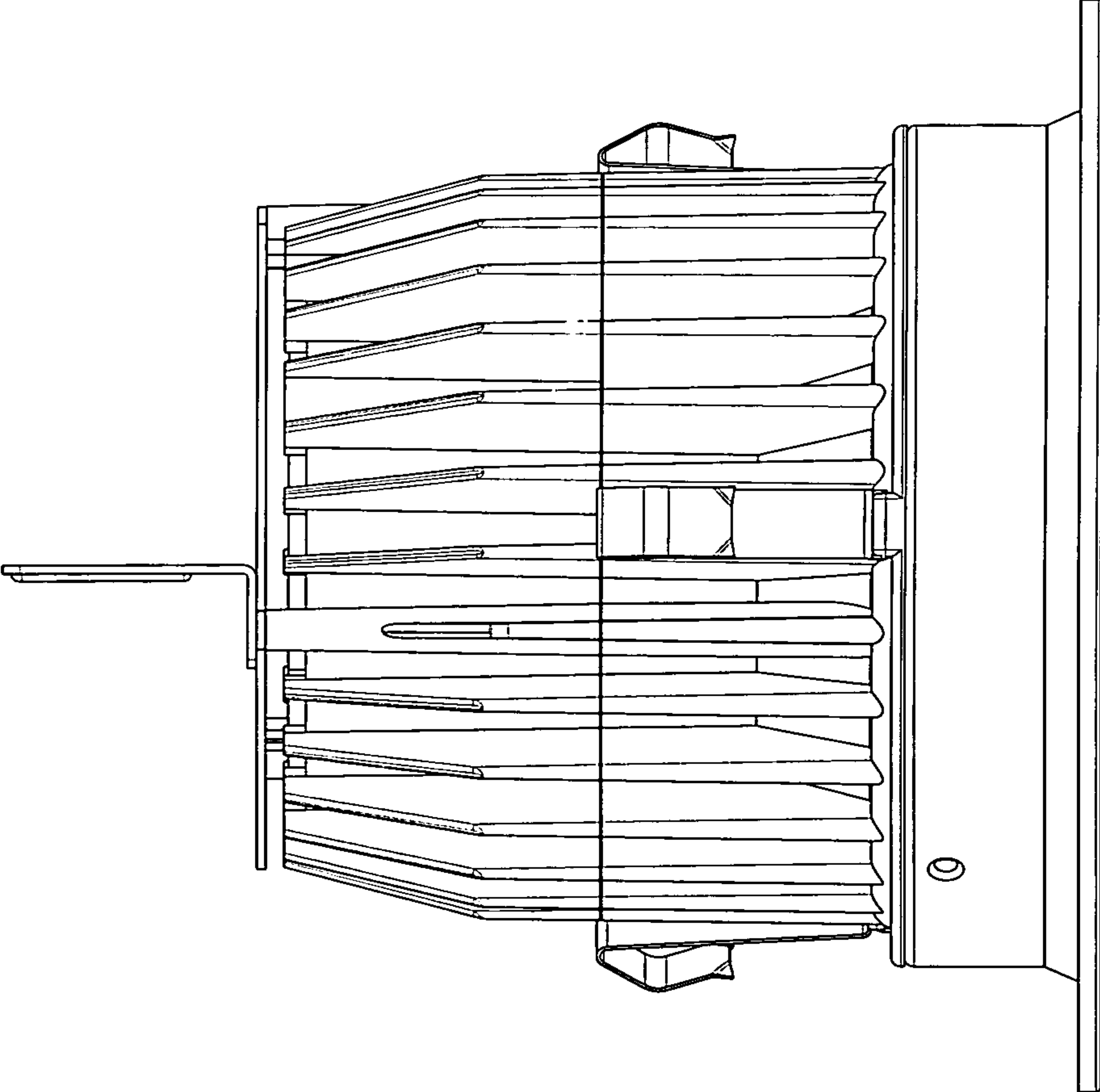


FIG.3

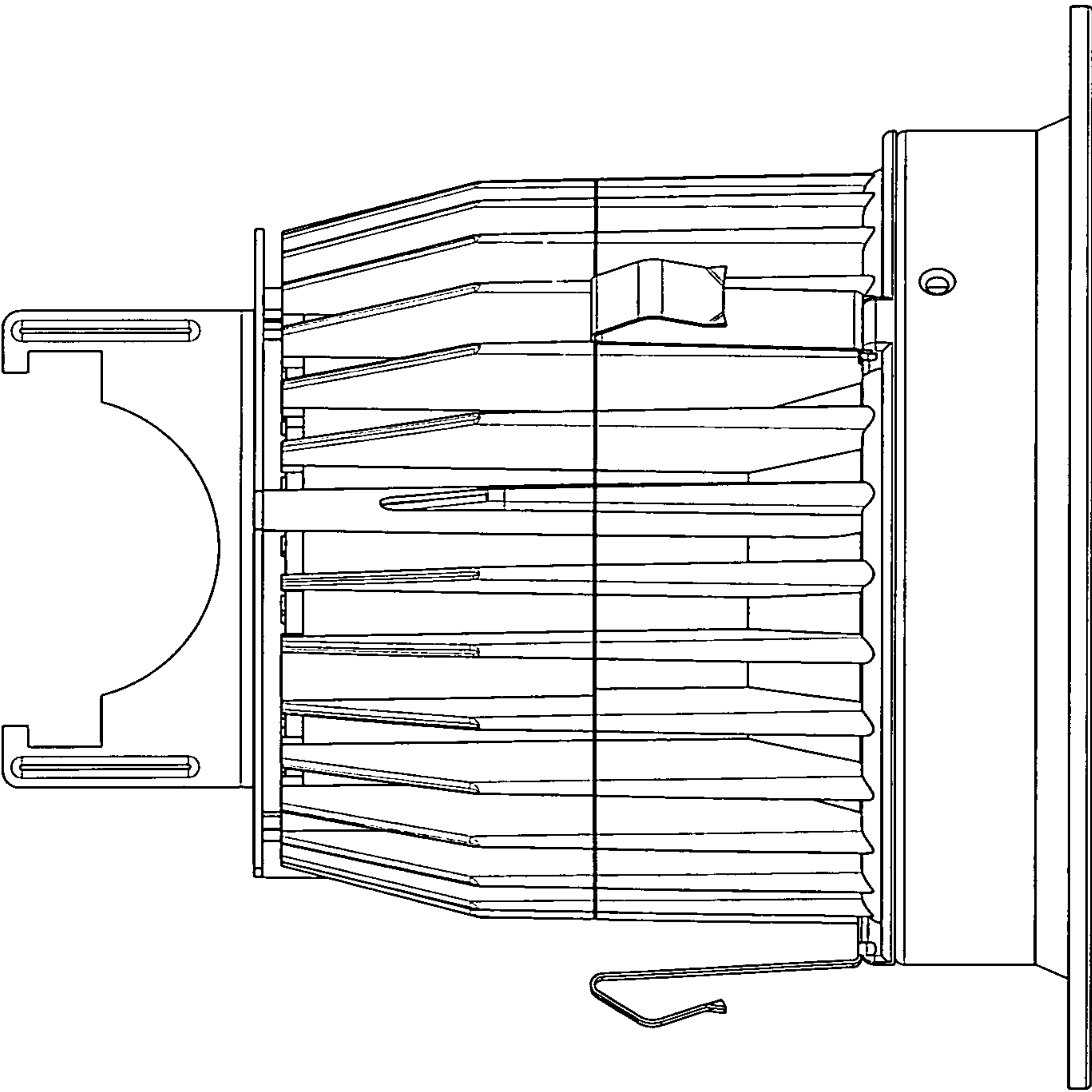


FIG.4

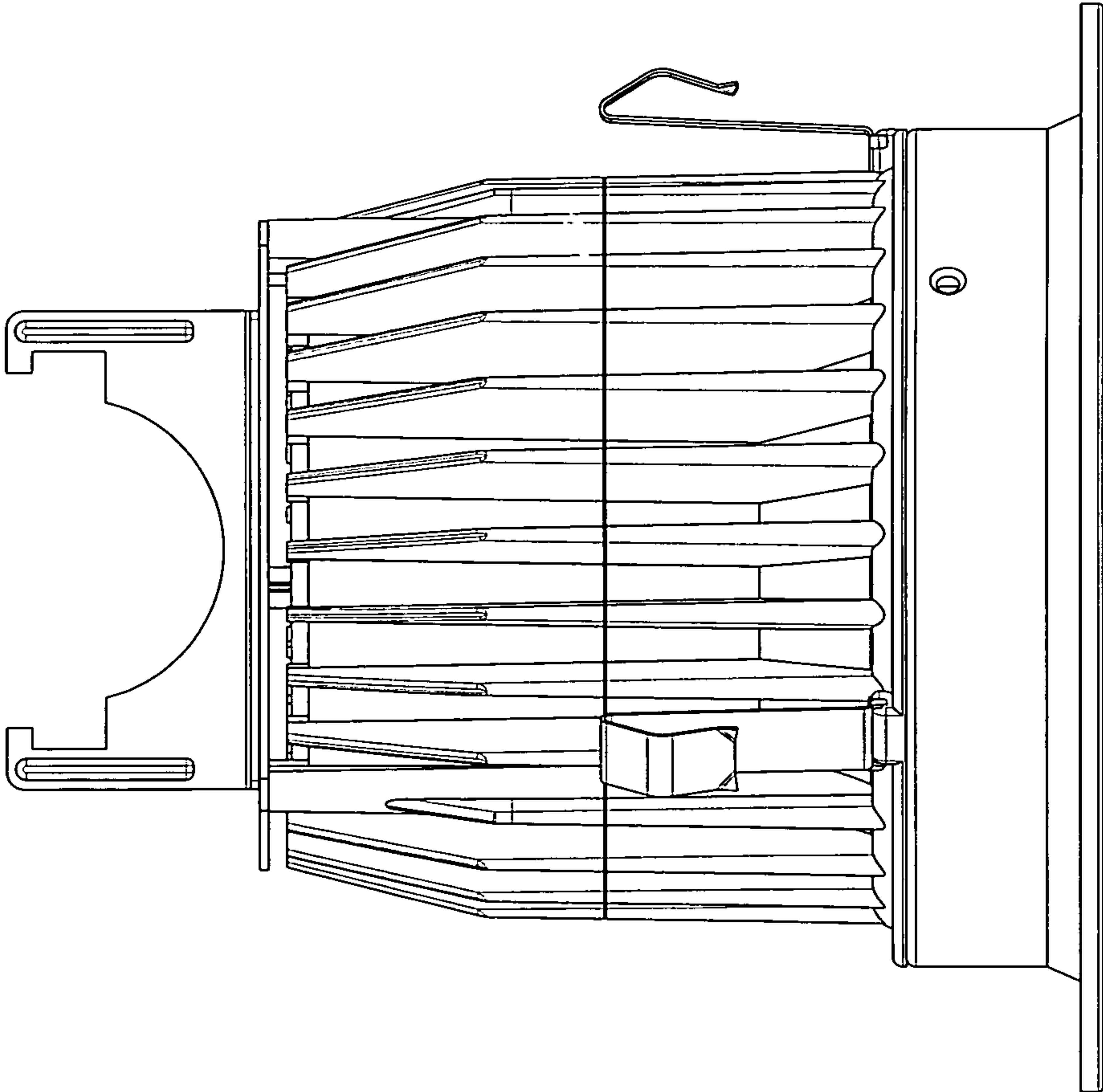


FIG. 5

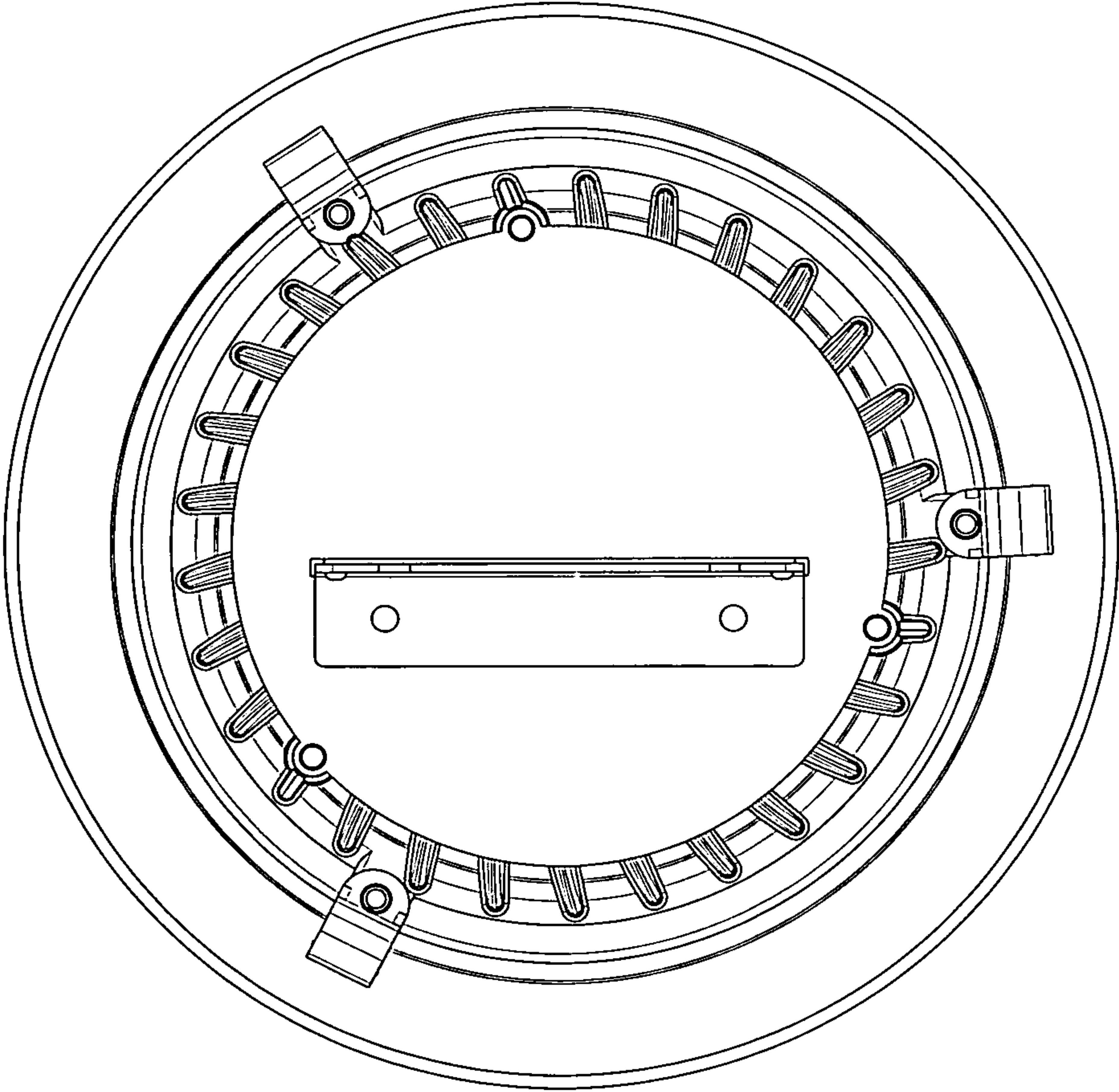


FIG. 6

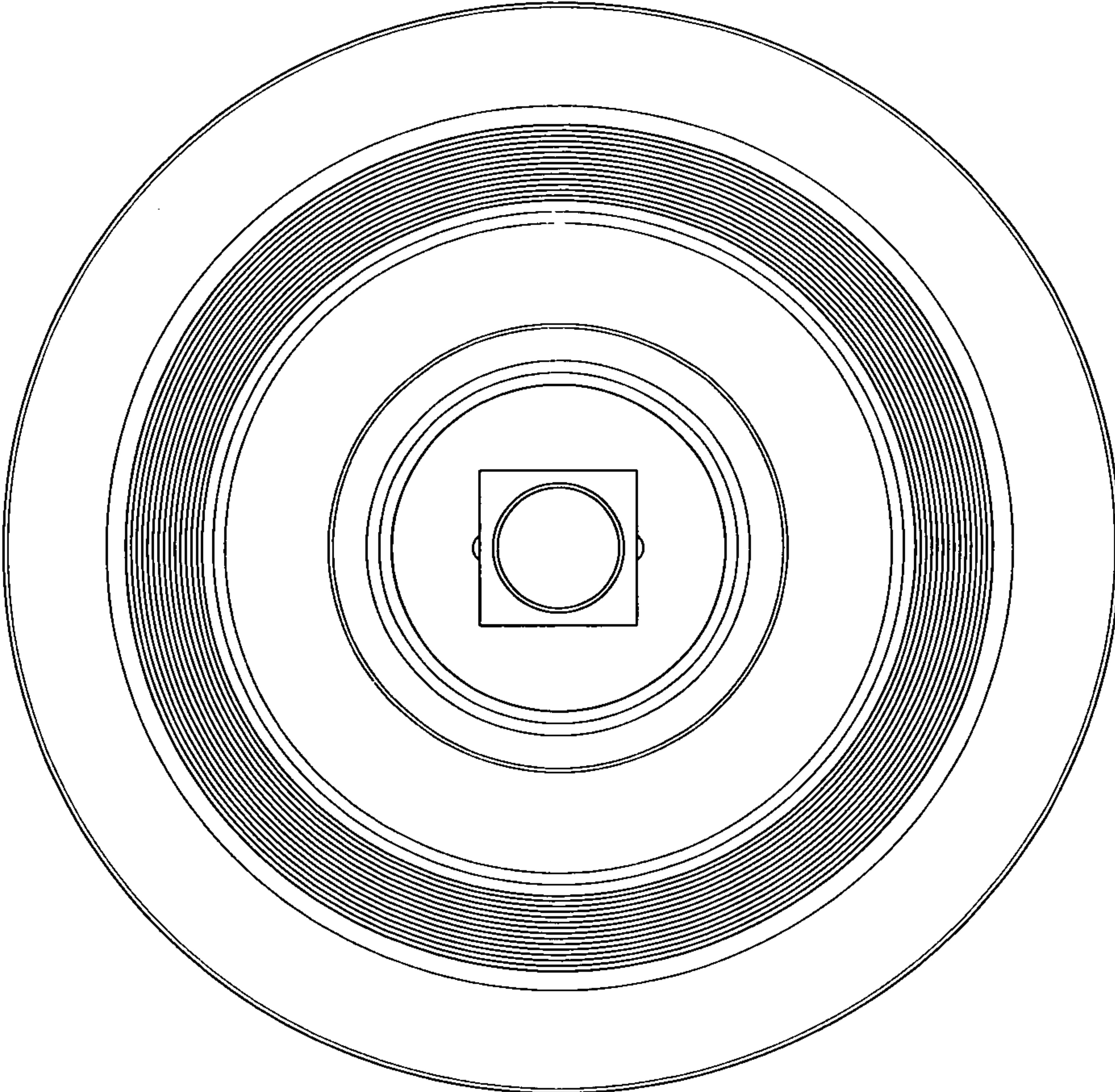
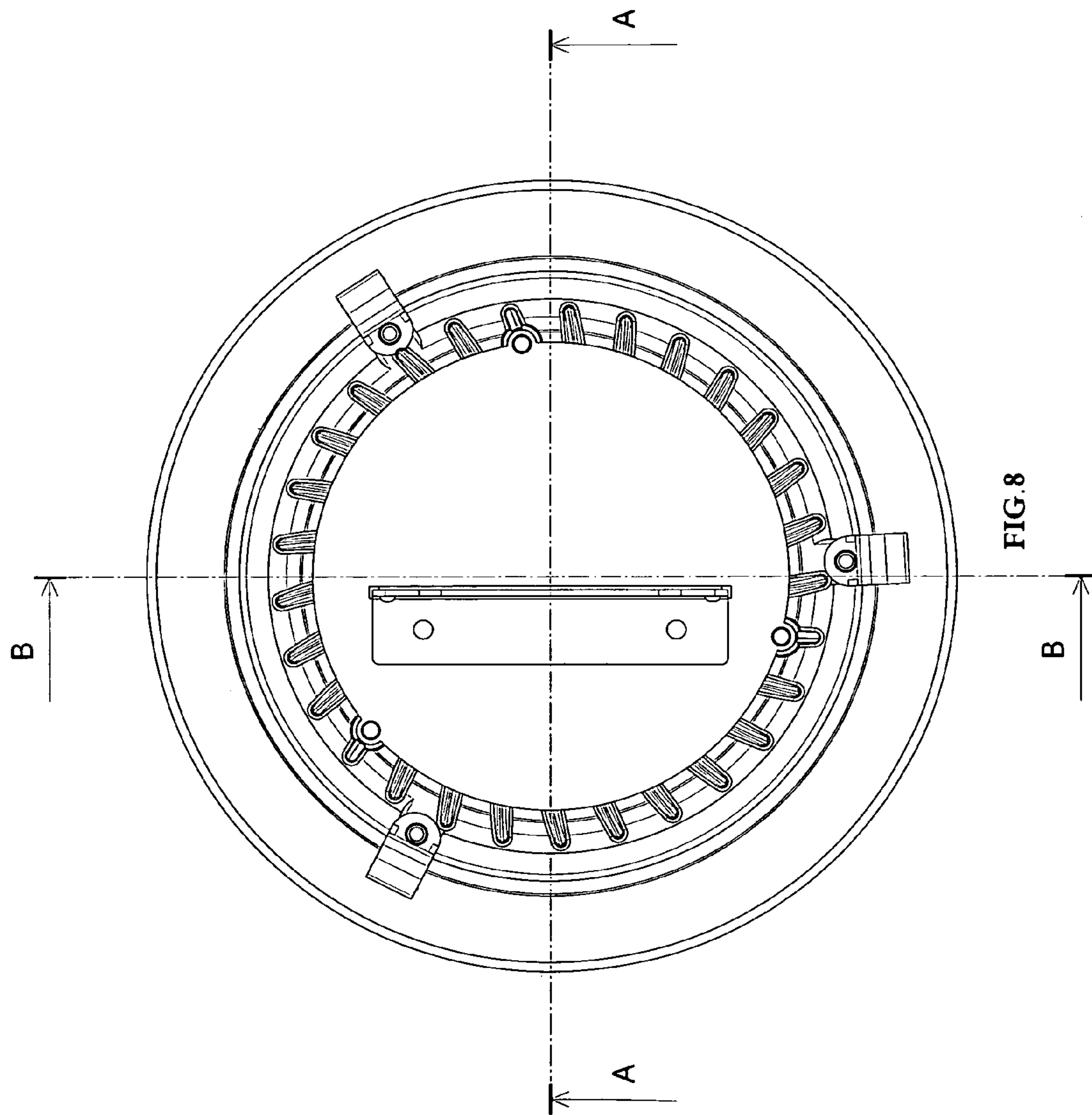


FIG.7



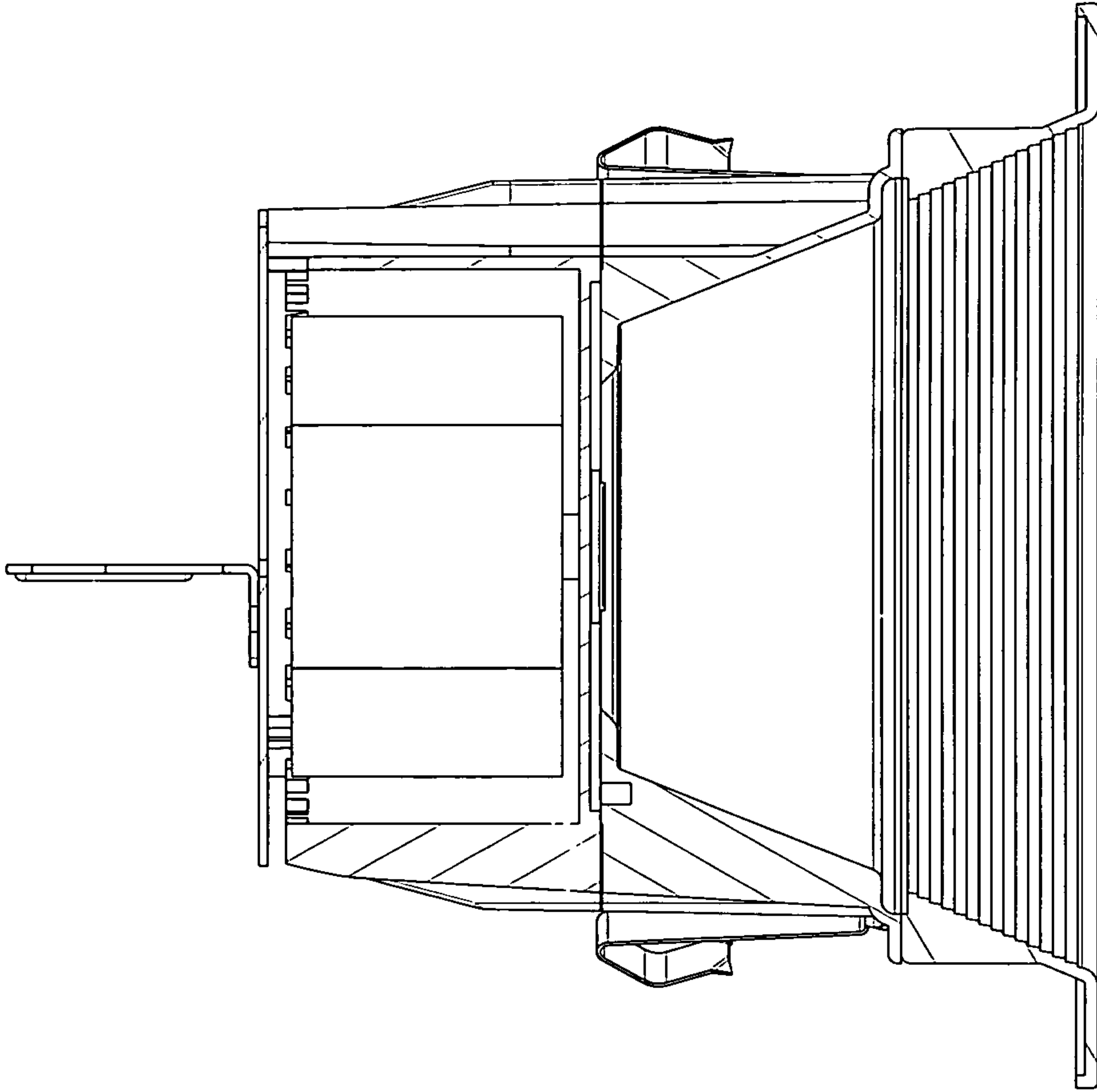


FIG. 9

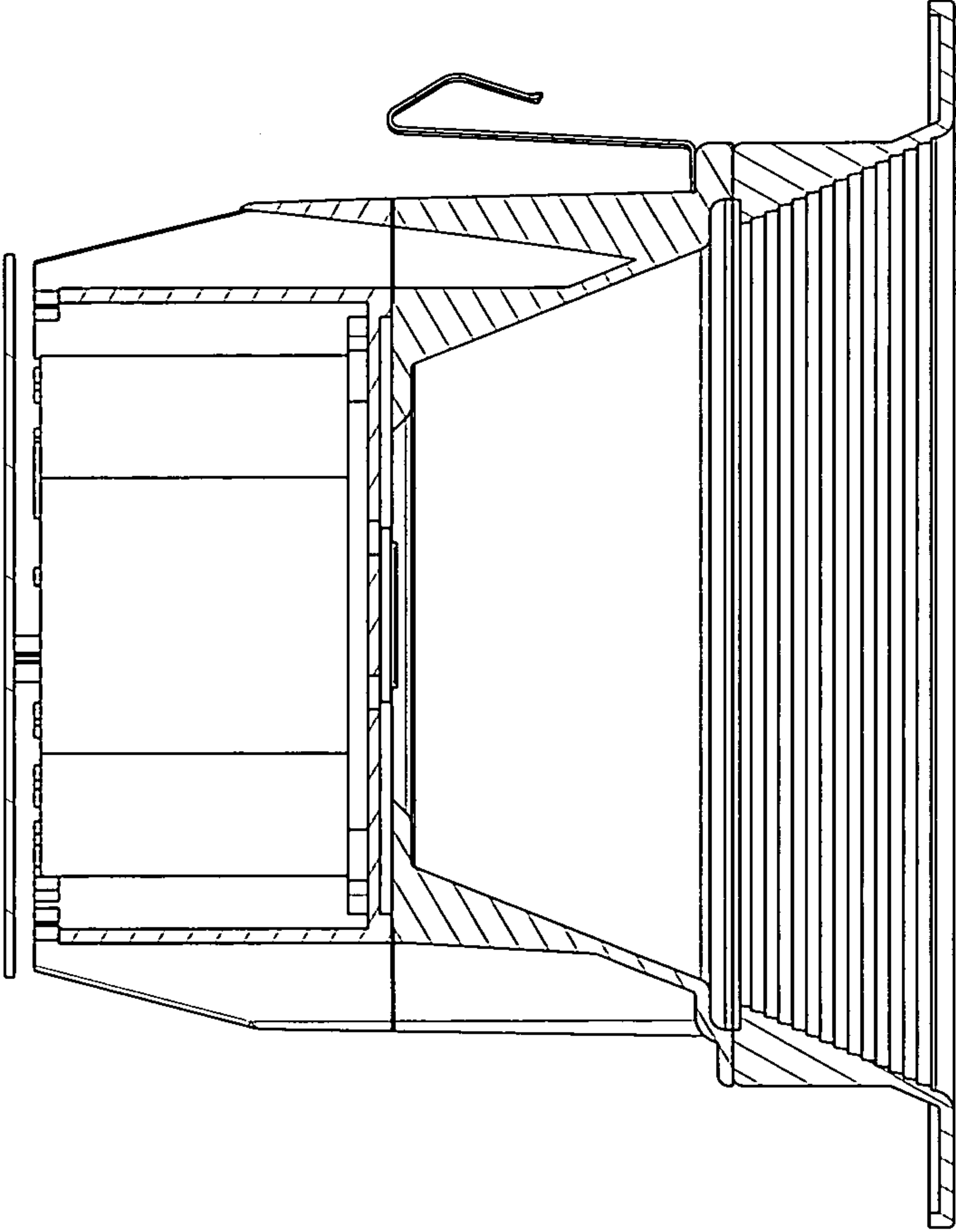


FIG.10

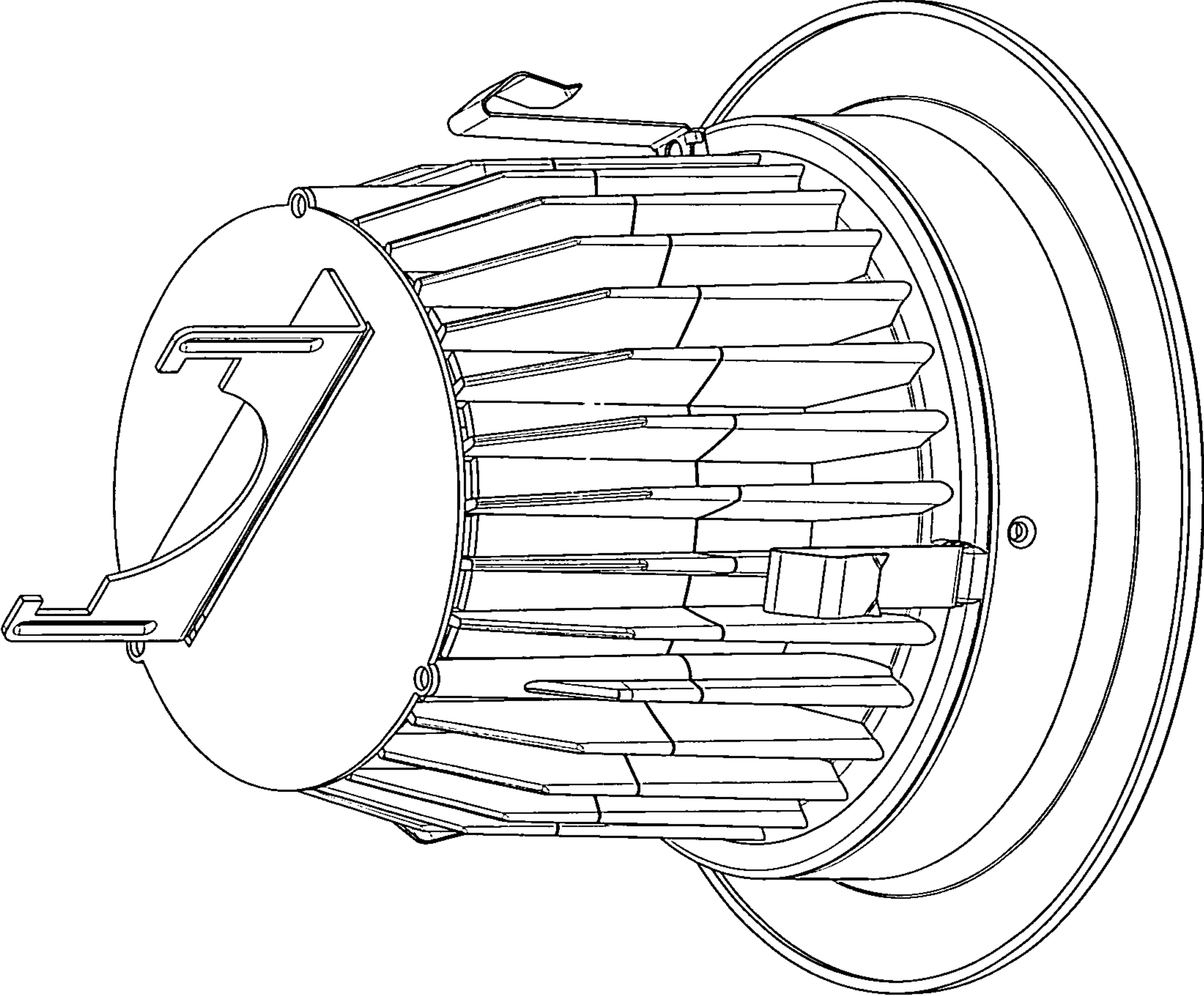


FIG.11

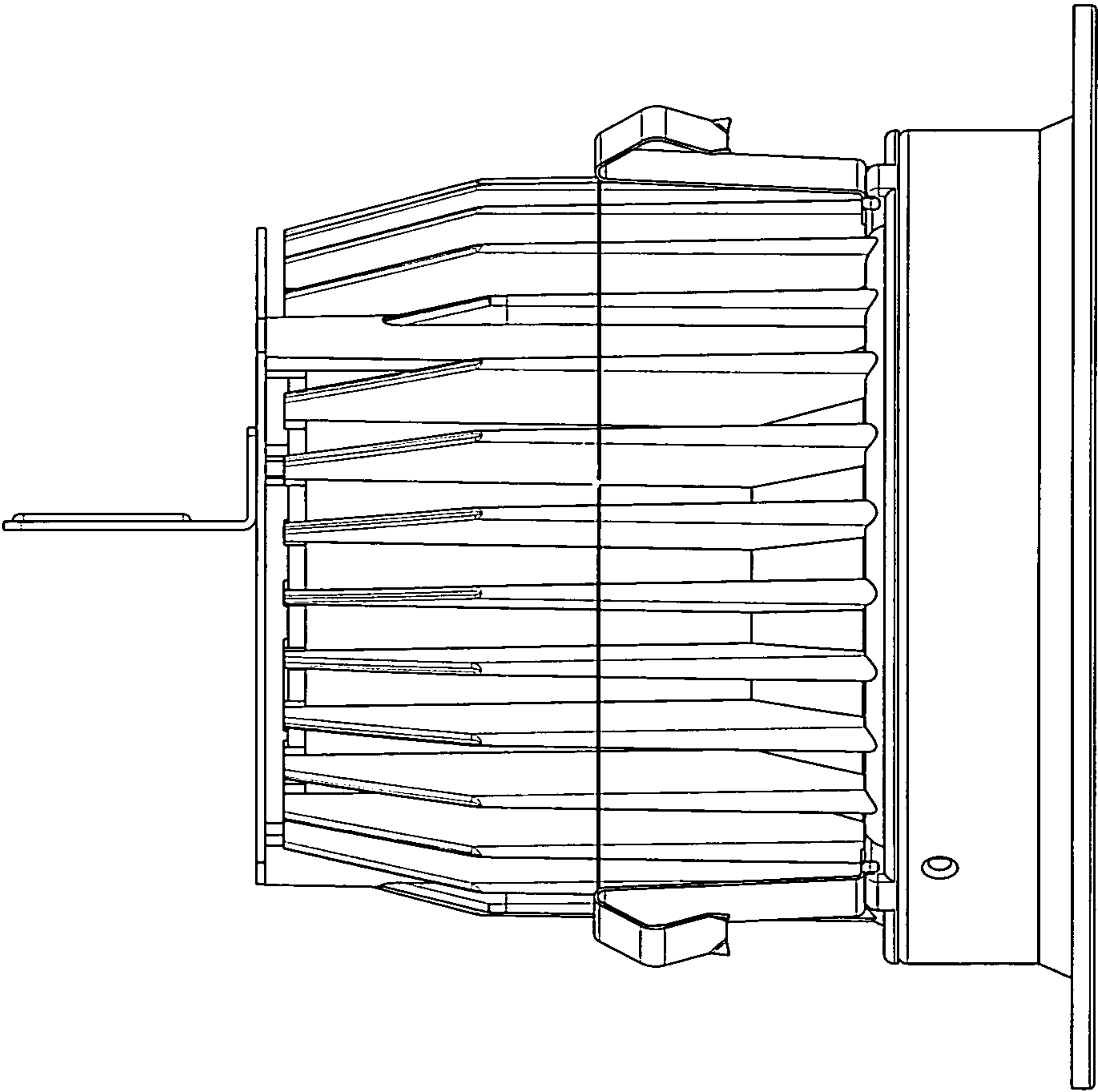


FIG.12

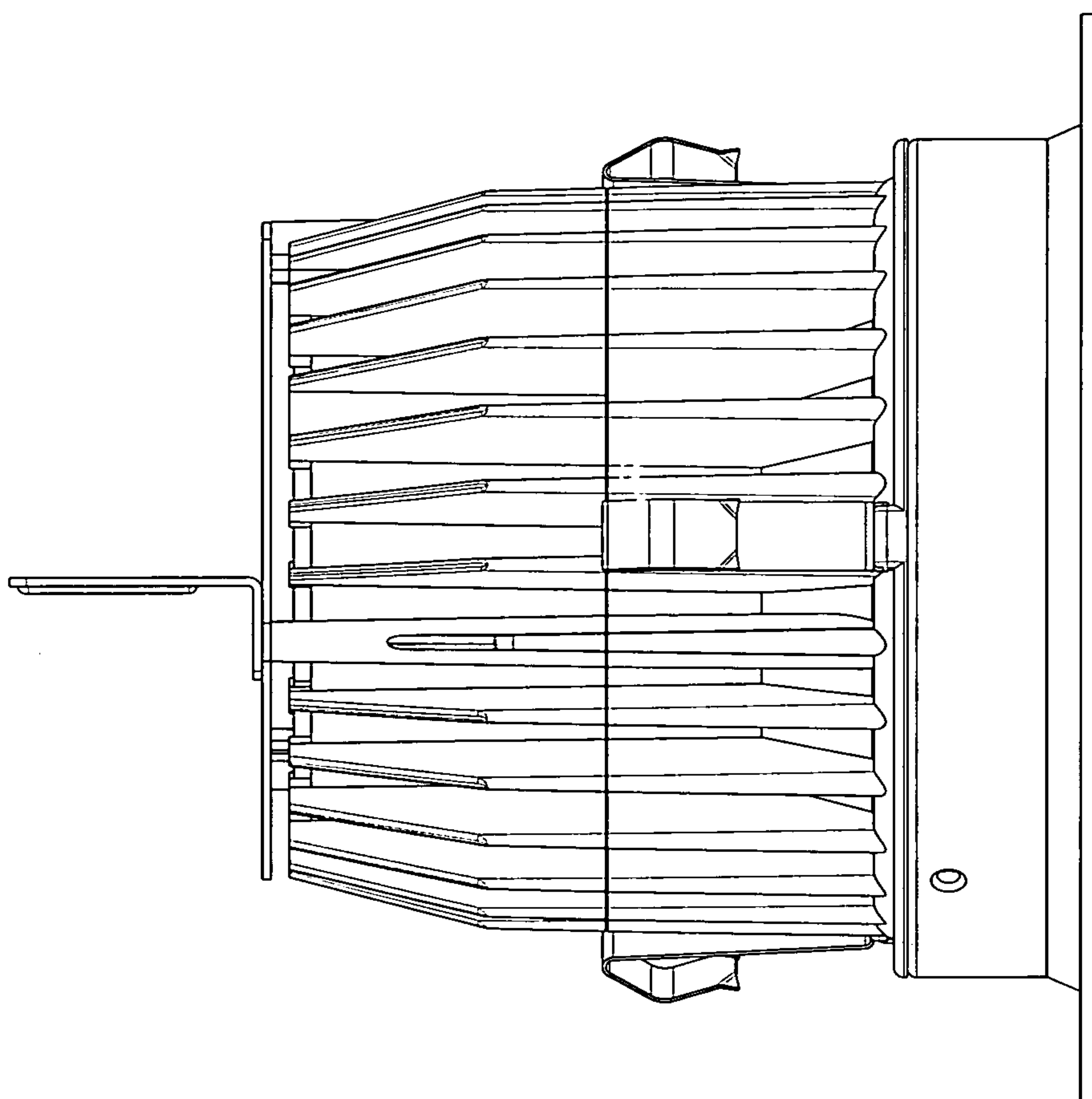


FIG.13

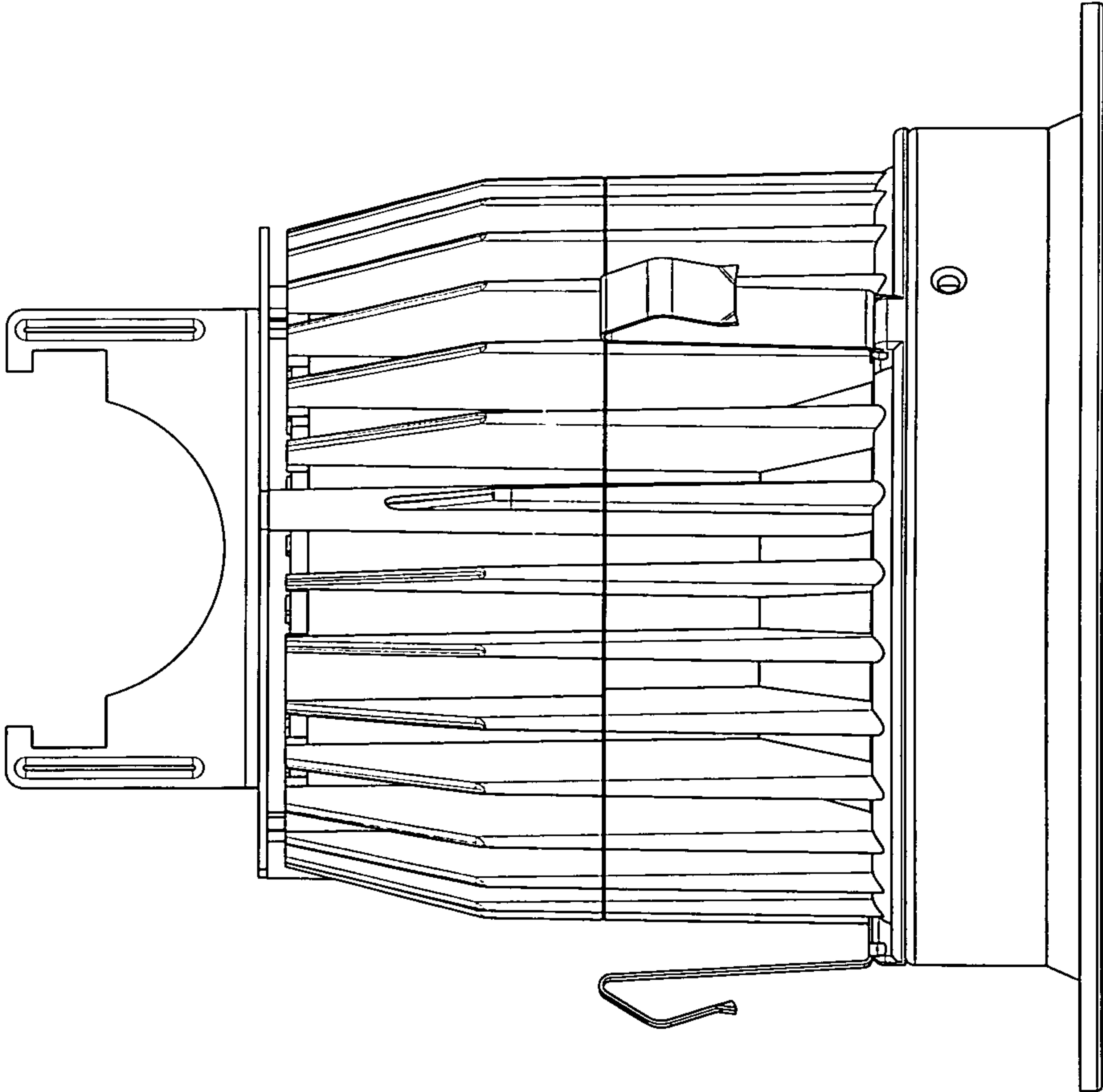


FIG.14

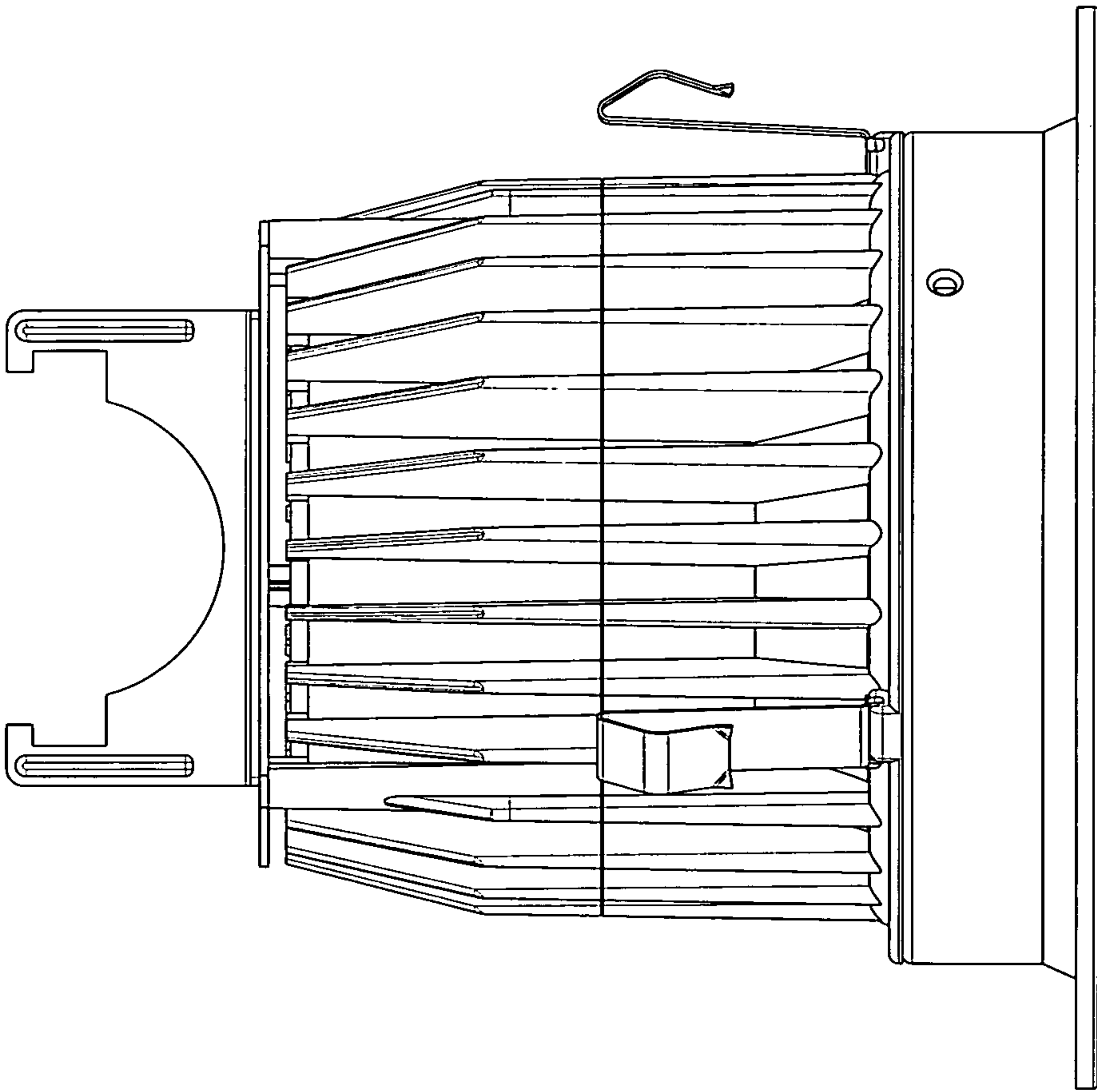


FIG.15

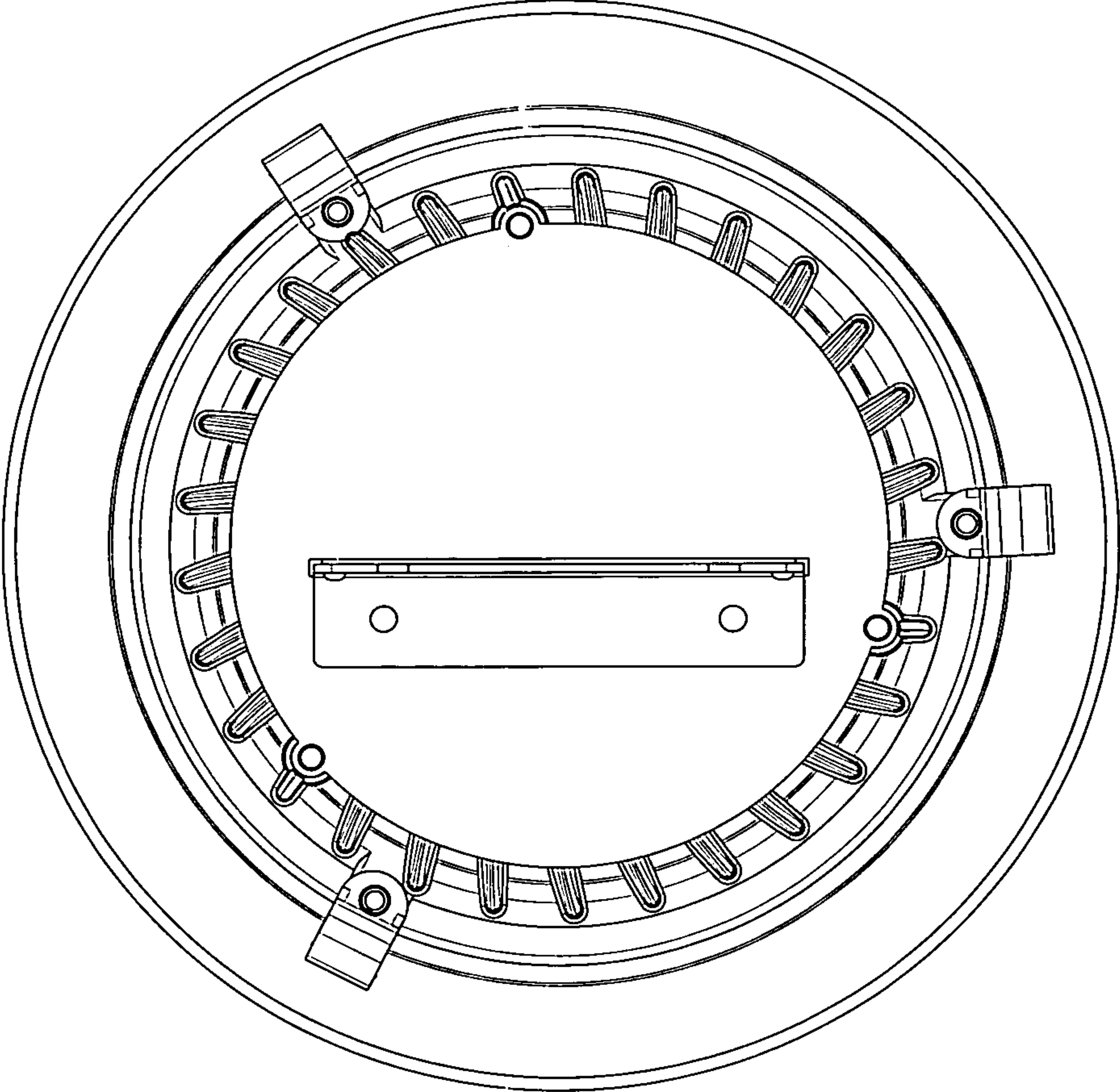


FIG.16

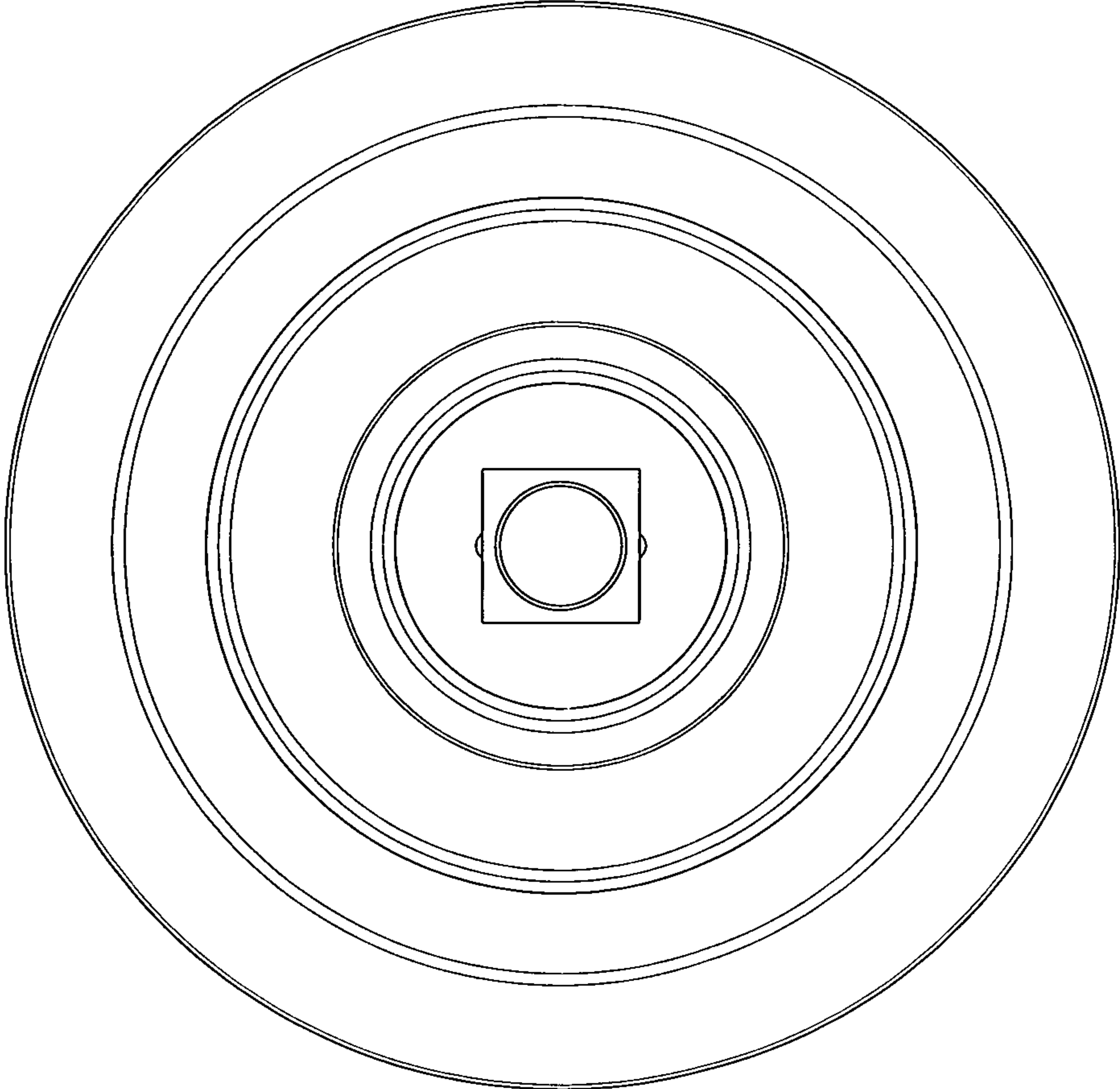


FIG.17

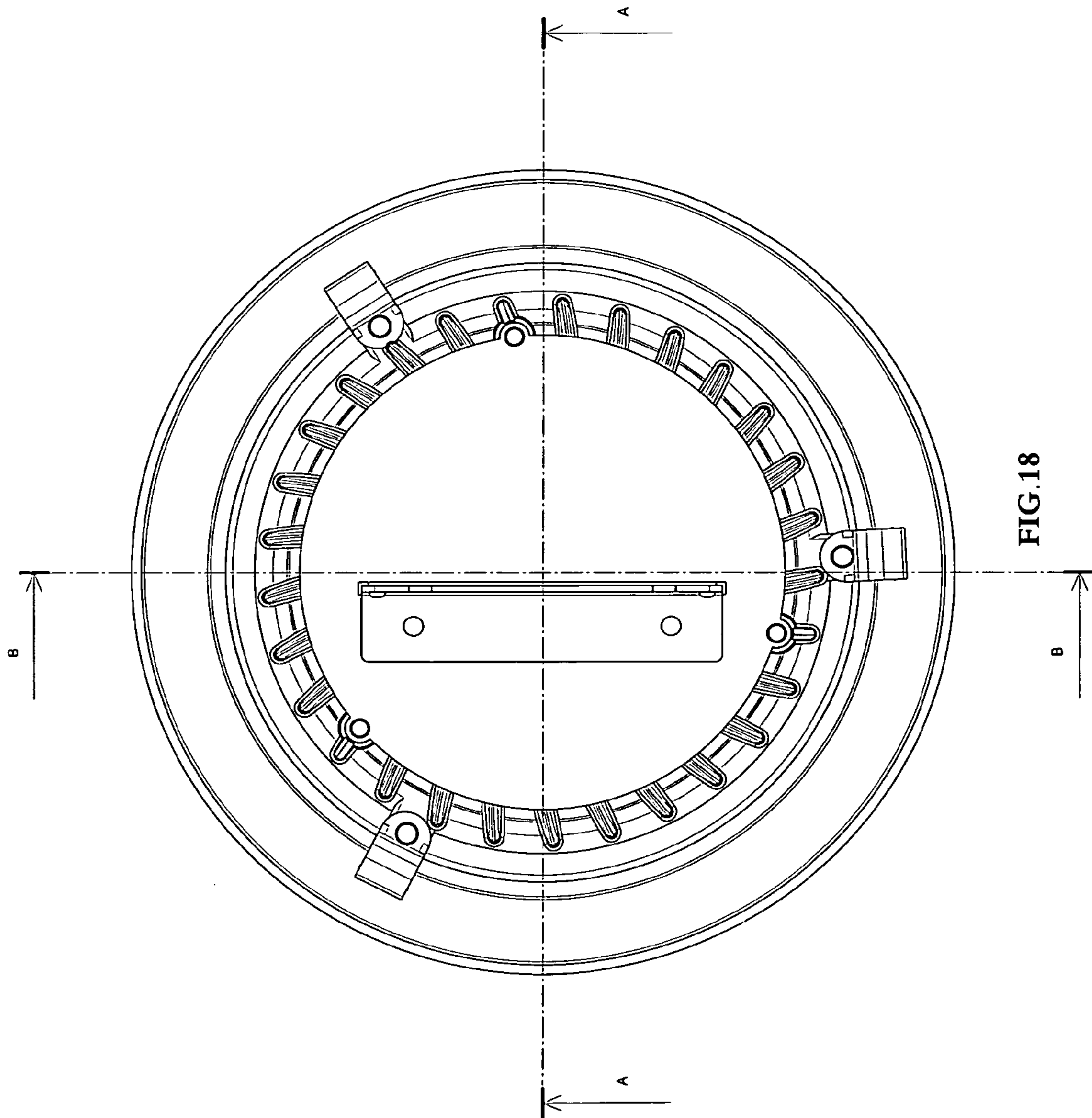


FIG. 18

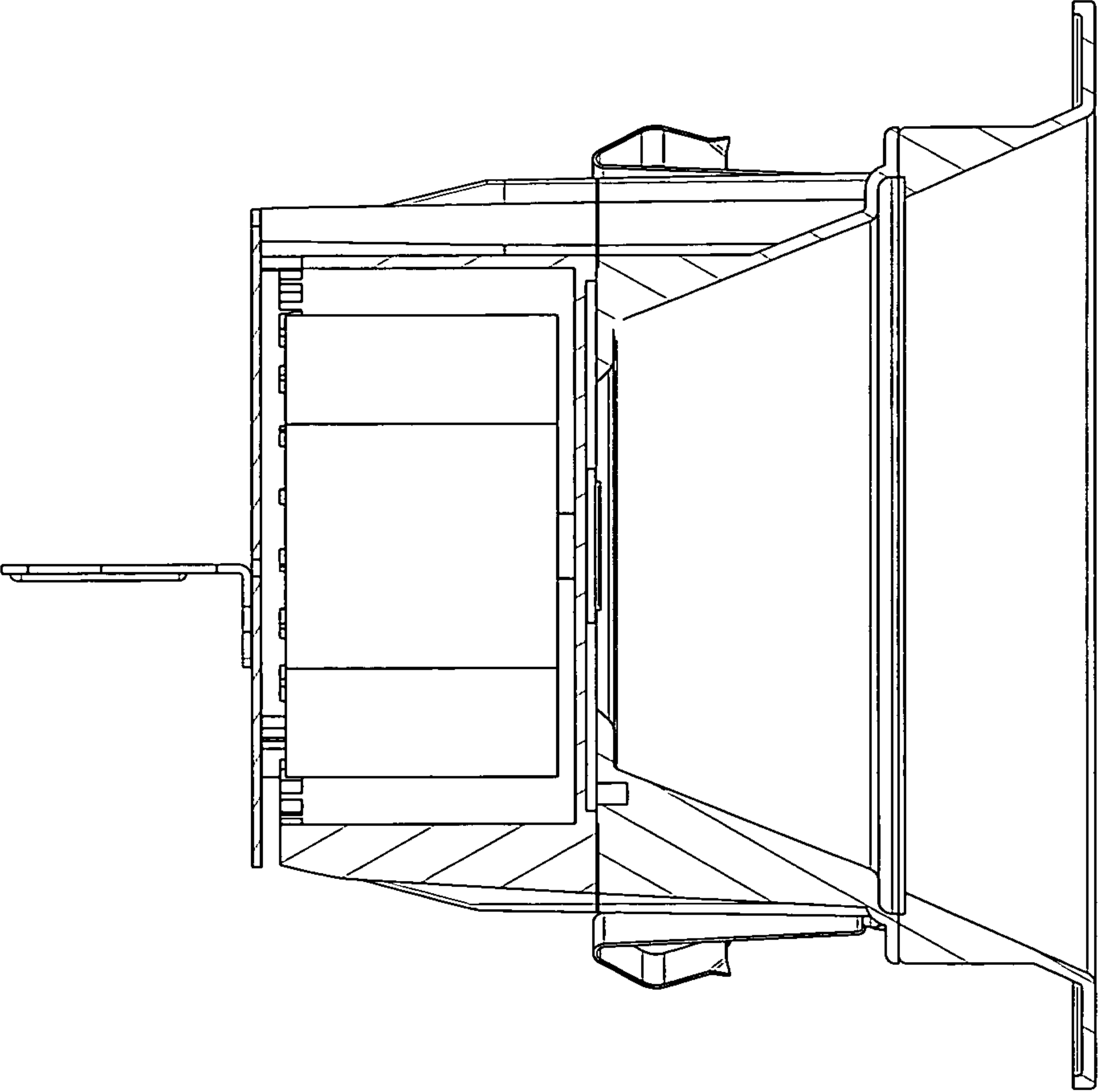


FIG.19

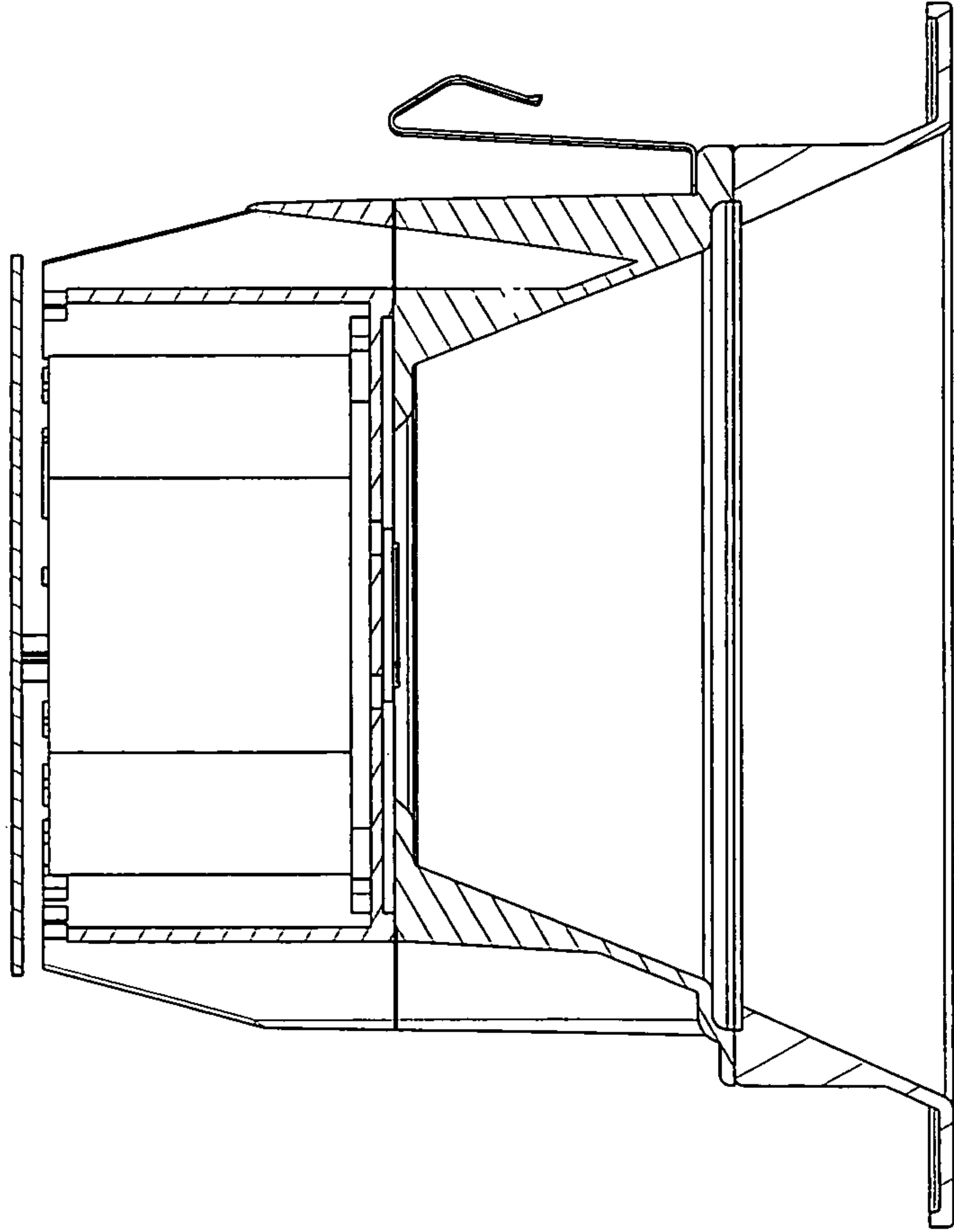


FIG.20