



US00D684285S

(12) **United States Design Patent**
Maxik et al.

(10) **Patent No.:** **US D684,285 S**
(45) **Date of Patent:** **** Jun. 11, 2013**

(54) **ROADWAY LAMP**

(75) Inventors: **Fredric S. Maxik**, Indialantic, FL (US);
Mark Andrew Oostdyk, Cape
Canaveral, FL (US); **Ran Zhou**,
Melbourne, FL (US); **Addy S. Widjaja**,
Palm Bay, FL (US); **Robert R. Soler**,
Cocoa Beach, FL (US); **David E.**
Bartine, Cocoa, FL (US)

(73) Assignee: **Lighting Science Group Corporation**,
Satellite Beach, FL (US)

(**) Term: **14 Years**

(21) Appl. No.: **29/419,300**

(22) Filed: **Apr. 26, 2012**

(51) **LOC (9) Cl.** **26-05**

(52) **U.S. Cl.**
USPC **D26/71**

(58) **Field of Classification Search**
USPC D26/67-71, 92; 362/249.01-249.06,
362/294, 373, 431

See application file for complete search history.

(56) **References Cited**

U.S. PATENT DOCUMENTS

D171,952	S	*	4/1954	Pettengill	D26/71
2,916,609	A	*	12/1959	Freier et al.	362/374
D203,065	S	*	11/1965	Izzi et al.	D26/71
D638,565	S	*	5/2011	Bembridge	D26/71
D645,190	S	*	9/2011	Van Klinken et al.	D26/71

D645,601	S	*	9/2011	Bacon	D26/71
D650,110	S	*	12/2011	Zhu	D26/71
D660,495	S	*	5/2012	Walker et al.	D26/71

* cited by examiner

Primary Examiner — Clare E Heflin

(74) *Attorney, Agent, or Firm* — Mark R. Malek; Zies
Widerman & Malek

(57) **CLAIM**

The ornamental design for a roadway lamp, as shown and
described.

DESCRIPTION

FIG. 1 is a perspective view of a roadway lamp according to
the present invention.

FIG. 2 is an exploded perspective view of the roadway lamp
illustrated in FIG. 1.

FIG. 3 is a top plan view of the roadway lamp illustrated in
FIG. 1.

FIG. 4 is a bottom plan view of the roadway lamp illustrated
in FIG. 1.

FIG. 5 is a left-side elevation view of the roadway lamp
illustrated in FIG. 1.

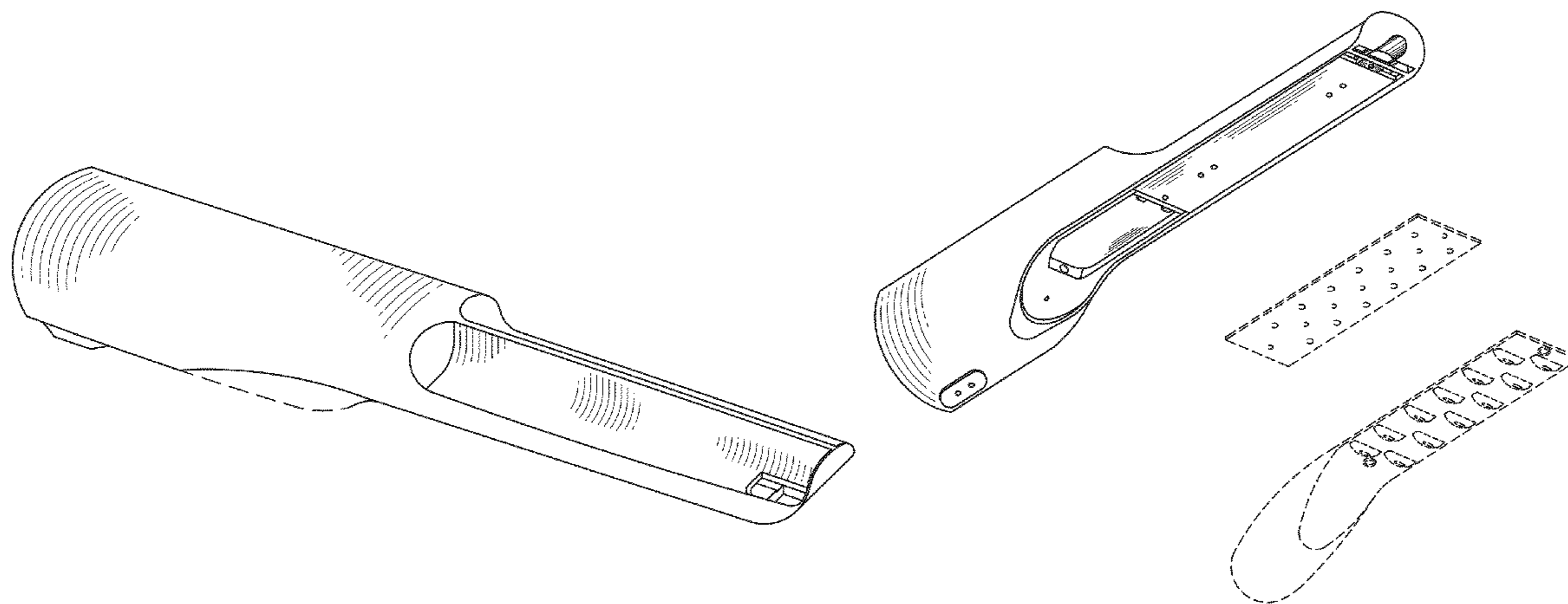
FIG. 6 is a right-side elevation view of the roadway lamp
illustrated in FIG. 1.

FIG. 7 is a front elevation view of the roadway lamp illus-
trated in FIG. 1; and,

FIG. 8 is a rear elevation view of the roadway lamp illustrated
in FIG. 1.

The broken lines illustrate elements that form no part of the
claimed design.

1 Claim, 4 Drawing Sheets



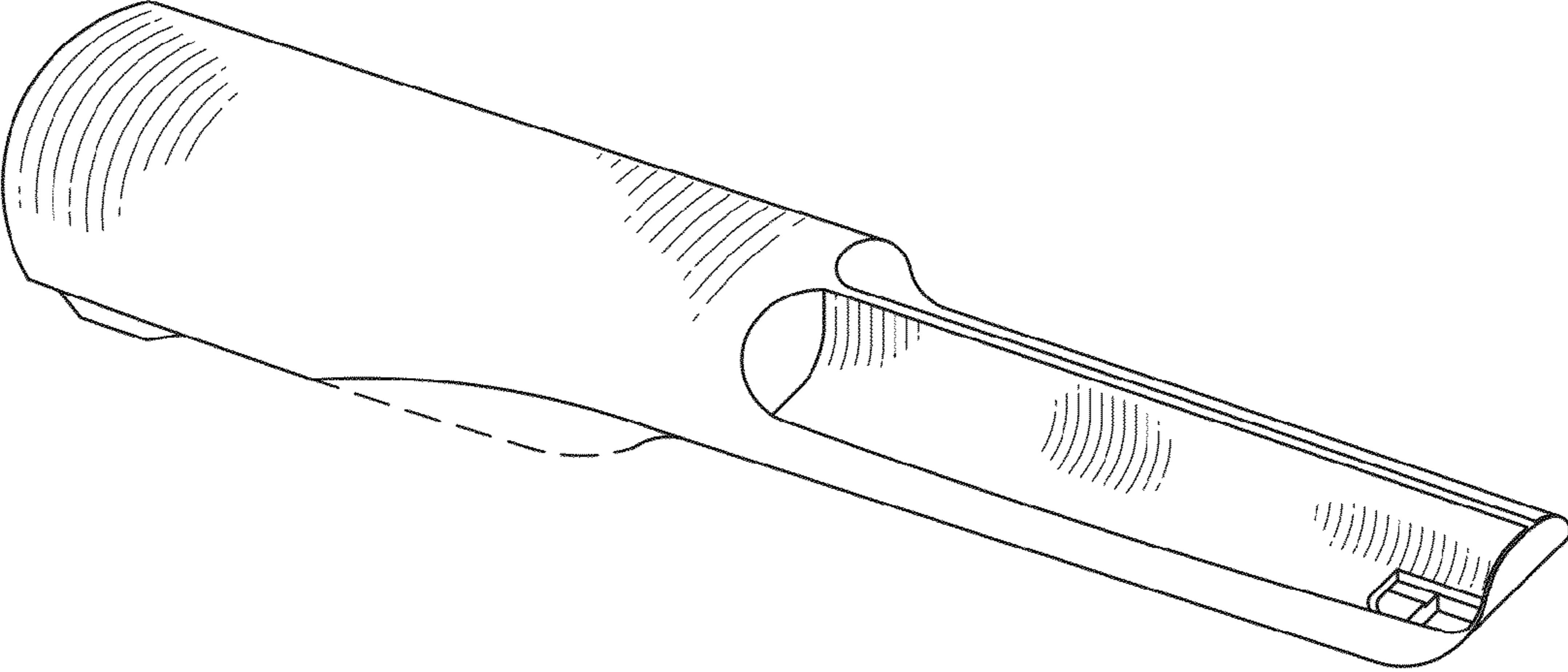


Fig. 1

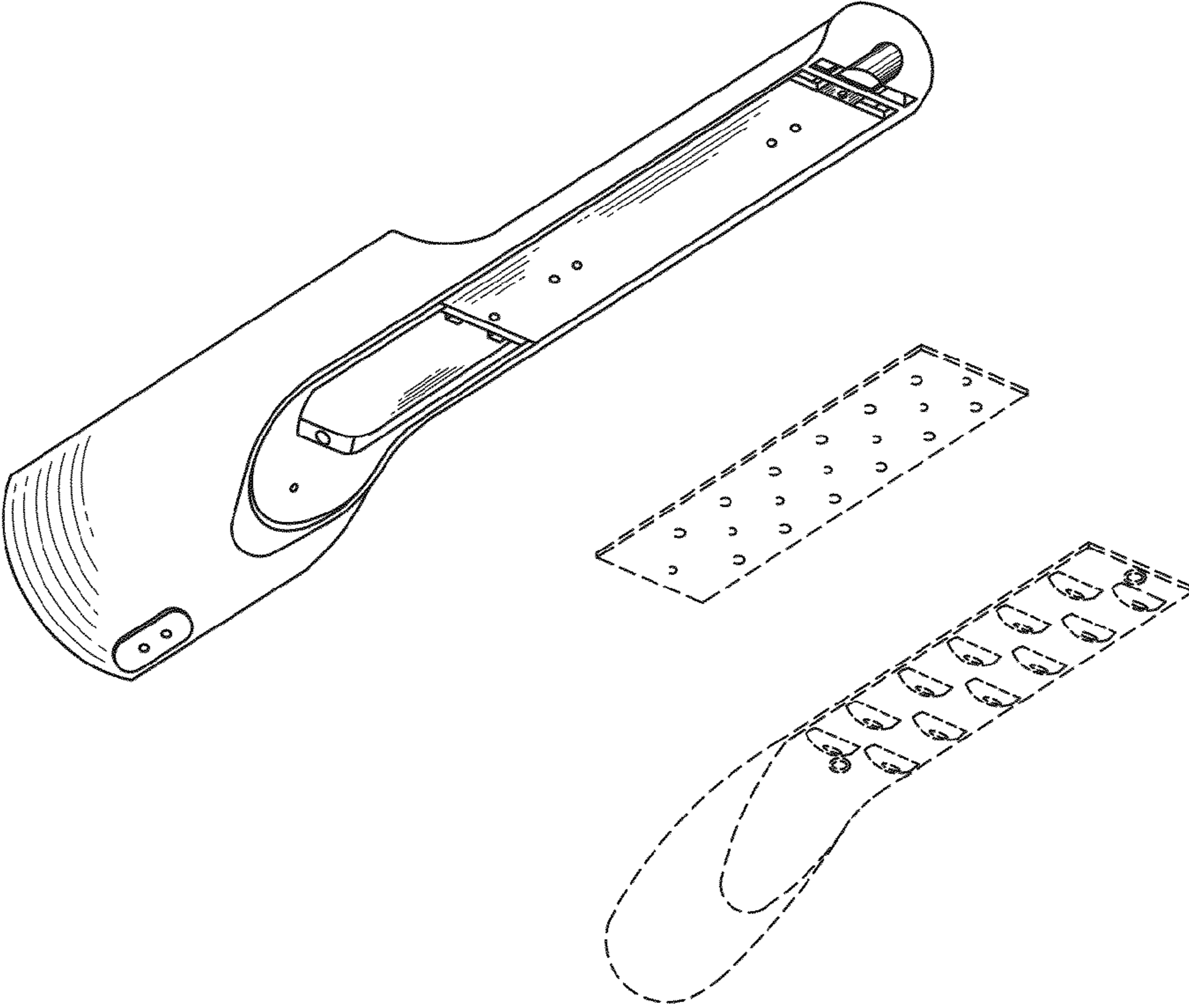


Fig. 2

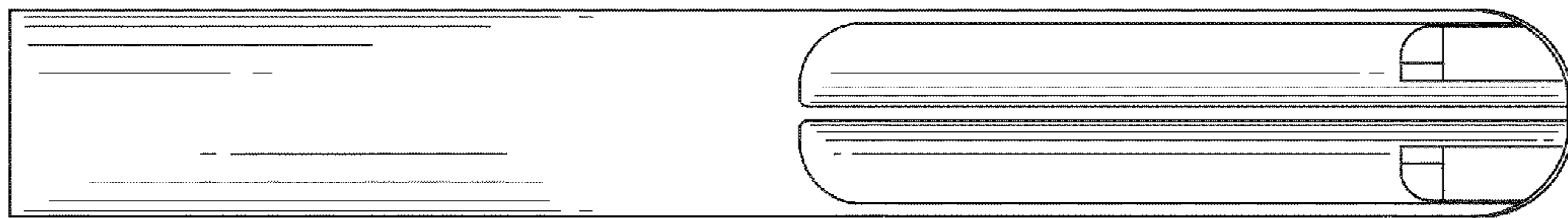


Fig. 3

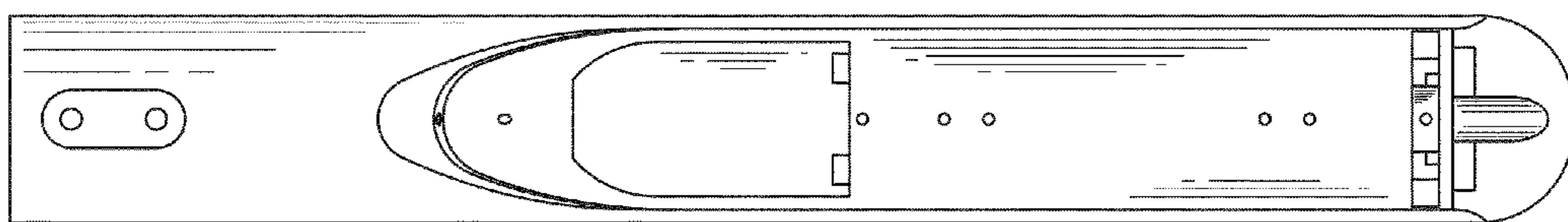


Fig. 4

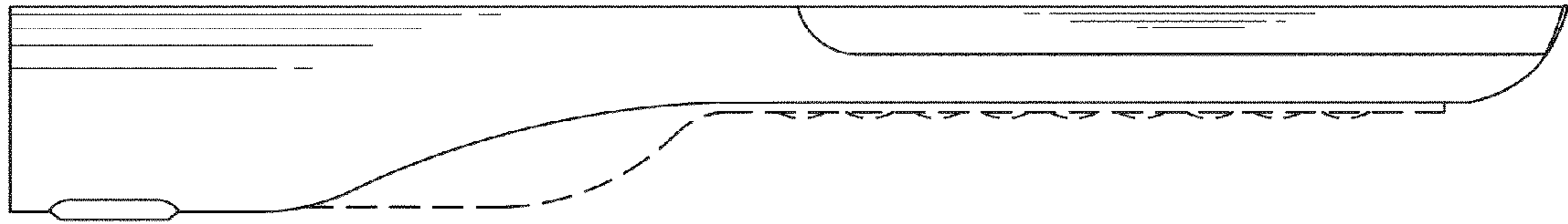


Fig. 5

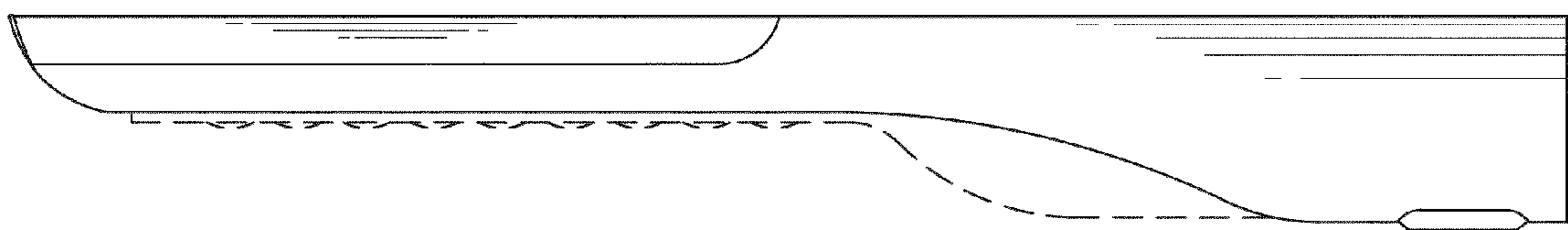


Fig. 6

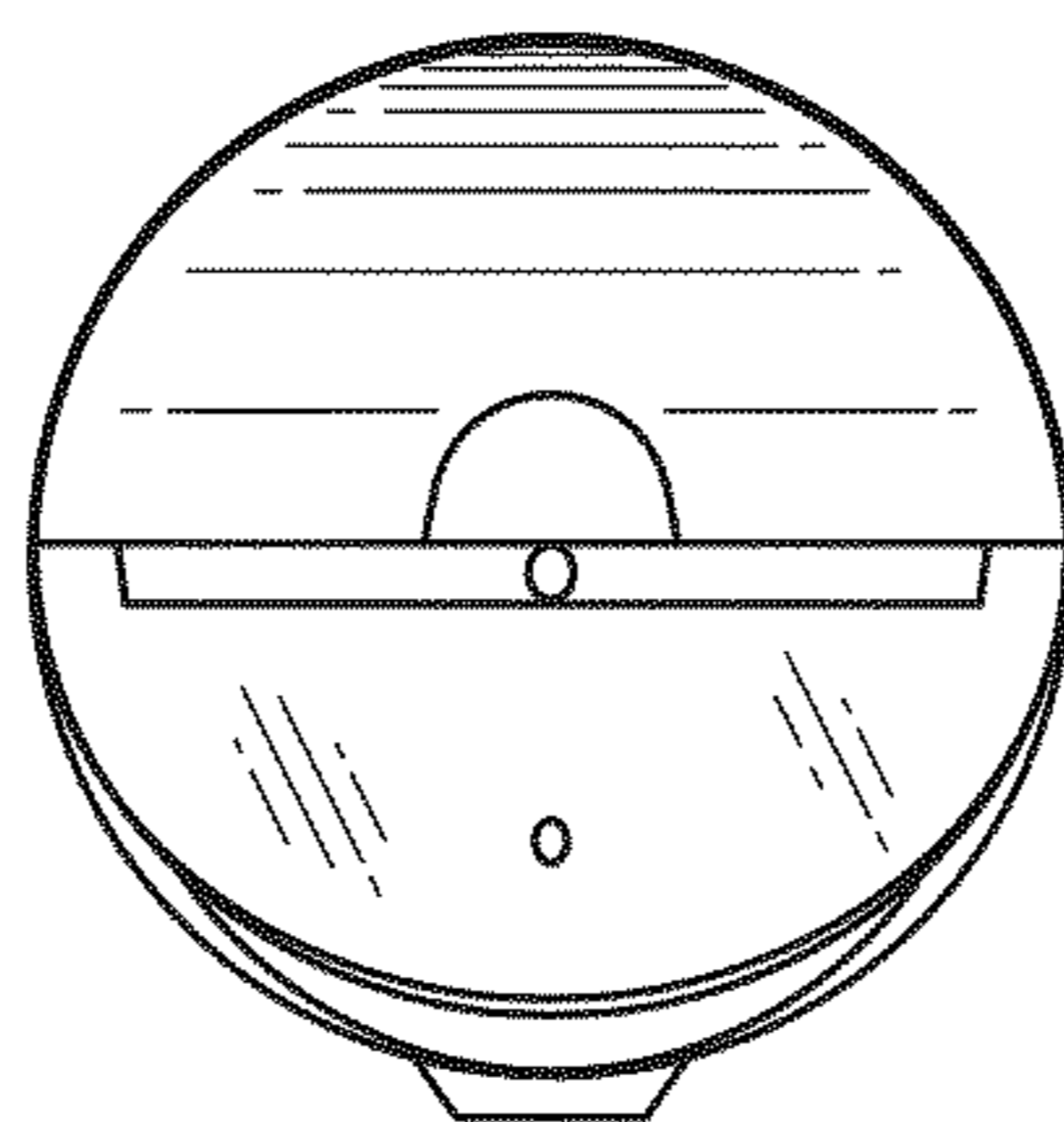


Fig. 7

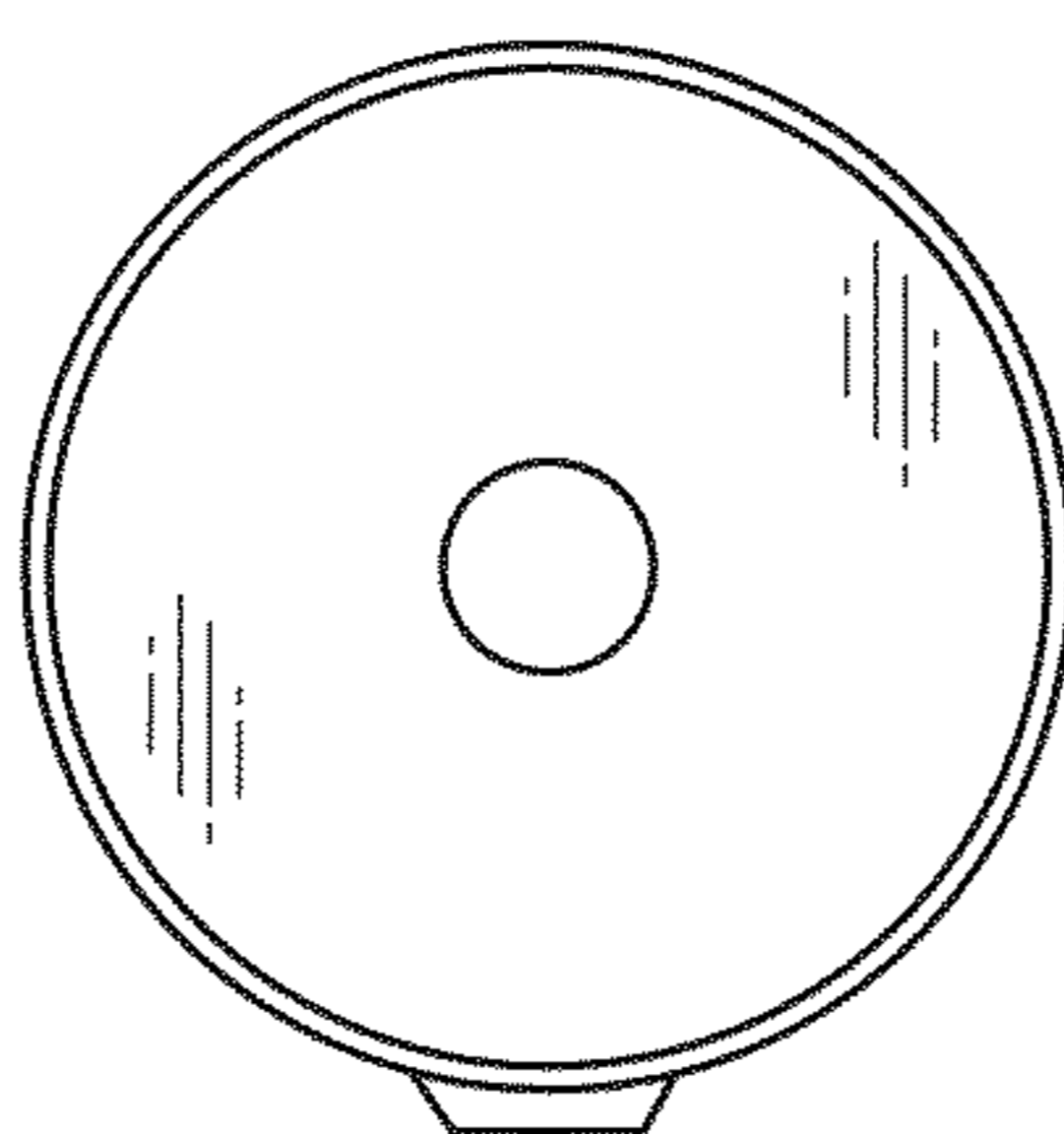


Fig. 8