



US00D684284S

(12) **United States Design Patent**
Borovicka

(10) **Patent No.:** **US D684,284 S**
(45) **Date of Patent:** **** Jun. 11, 2013**

(54) **GRILL LIGHT**

(75) Inventor: **Cory Thomas Borovicka**, Oakland, CA (US)

(73) Assignee: **Charcoal Companion Incorporated**, Berkely, CA (US)

(**) Term: **14 Years**

(21) Appl. No.: **29/400,962**

(22) Filed: **Sep. 2, 2011**

(51) **LOC (9) Cl.** **26-05**

(52) **U.S. Cl.**
USPC **D26/60**

(58) **Field of Classification Search**

USPC D26/60, 61, 28, 34, 35, 37, 38, 41, D26/51; 362/800, 157, 362, 418, 430, 640, 362/647, 232, 249.01–249.04, 249.11, 368, 362/372, 253, 184, 188–191, 198, 199, 200, 362/473–477, 287, 288, 197, 399

See application file for complete search history.

(56) **References Cited**

U.S. PATENT DOCUMENTS

6,132,055	A *	10/2000	Grisamore et al.	362/92
D464,754	S *	10/2002	Cavins	D26/60
6,851,820	B2 *	2/2005	Choi et al.	362/92
6,935,327	B1 *	8/2005	Williams et al.	362/92
D536,467	S	2/2007	Geringer	
7,500,759	B2 *	3/2009	Lin	362/33
7,572,024	B2 *	8/2009	Ko et al.	362/92
D609,830	S *	2/2010	McKechnie	D26/28
7,699,492	B2 *	4/2010	Levine	362/191
D616,127	S *	5/2010	Taiga	D26/60
D642,714	S *	8/2011	Chuah	D26/60
D647,233	S *	10/2011	Taiga	D26/60

OTHER PUBLICATIONS

Knog.com, Frog Light Strobe Light, 2011 online catalog, <http://www.knog.com.au/gear-lights/frog-strobe.php>, AU.

* cited by examiner

Primary Examiner — Susan M Lee

Assistant Examiner — Linda G Brooks

(74) *Attorney, Agent, or Firm* — Donald L. Beeson; Beeson Skinner Beverly, LLP

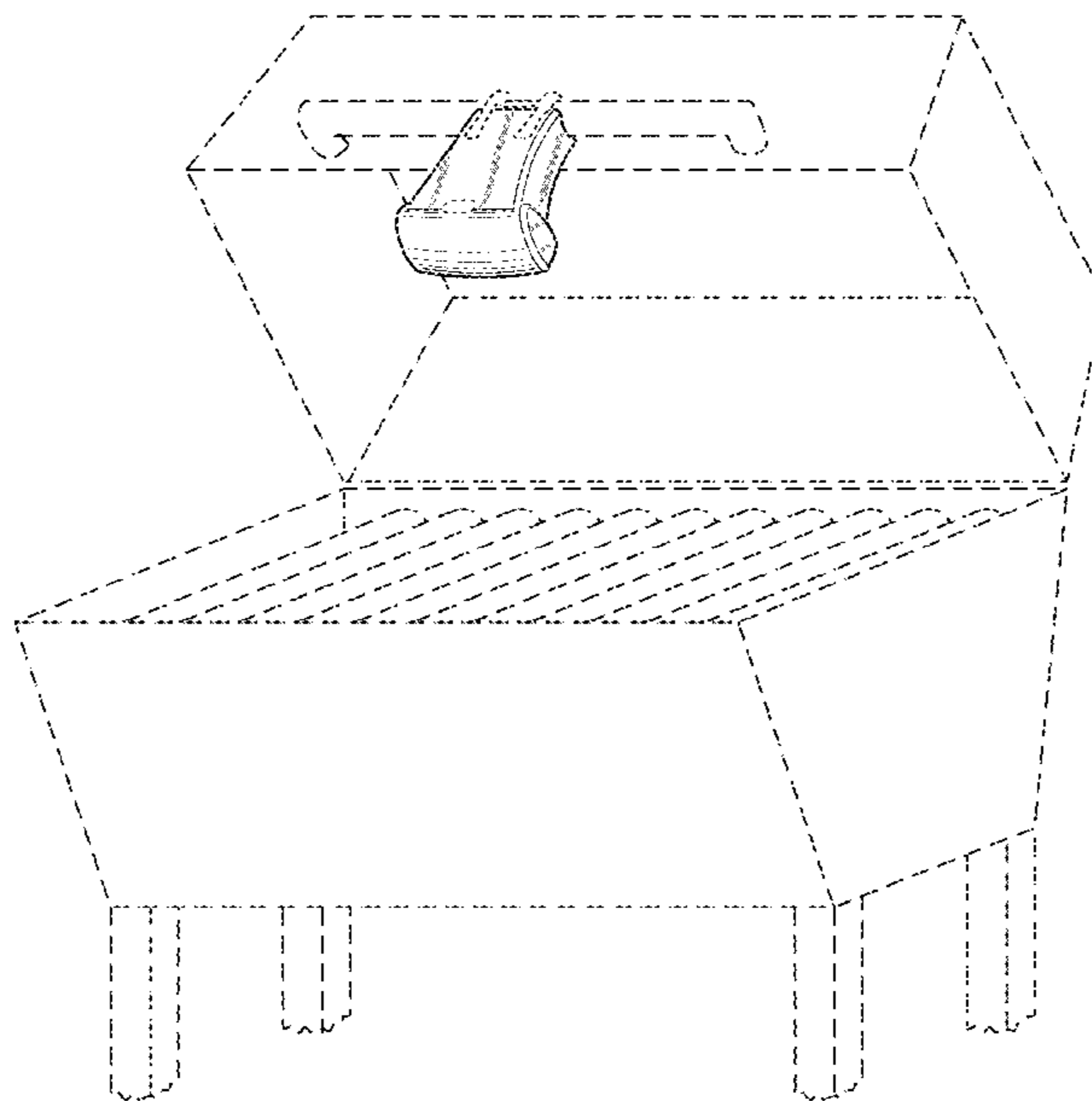
(57) **CLAIM**

The ornamental design for a grill light, as shown and described.

DESCRIPTION

FIG. 1 is a rear bottom perspective view of a grill light showing my new design, with the broken line showing of a barbecue grill indicating a use for the grill light; FIG. 2 is an enlarged rear bottom perspective view thereof; FIG. 3 is an enlarged front top perspective view thereof; FIG. 4 is an enlarged front elevational view thereof; FIG. 5 is an enlarged right side elevational view thereof, the left side being a mirror image; FIG. 6 is an enlarged rear elevational view thereof; FIG. 7 is an enlarged bottom plan view thereof; and, FIG. 8 is an enlarged top plan view thereof. The broken line showing of a stretch handle, of handle attachment hooks, of a push-button power switch, and, in FIG. 1, of a barbecue grill, are for illustrative purposes only; the broken lines form no part of the claimed design. The LED's shown in broken lines form no part of the claimed design.

1 Claim, 4 Drawing Sheets



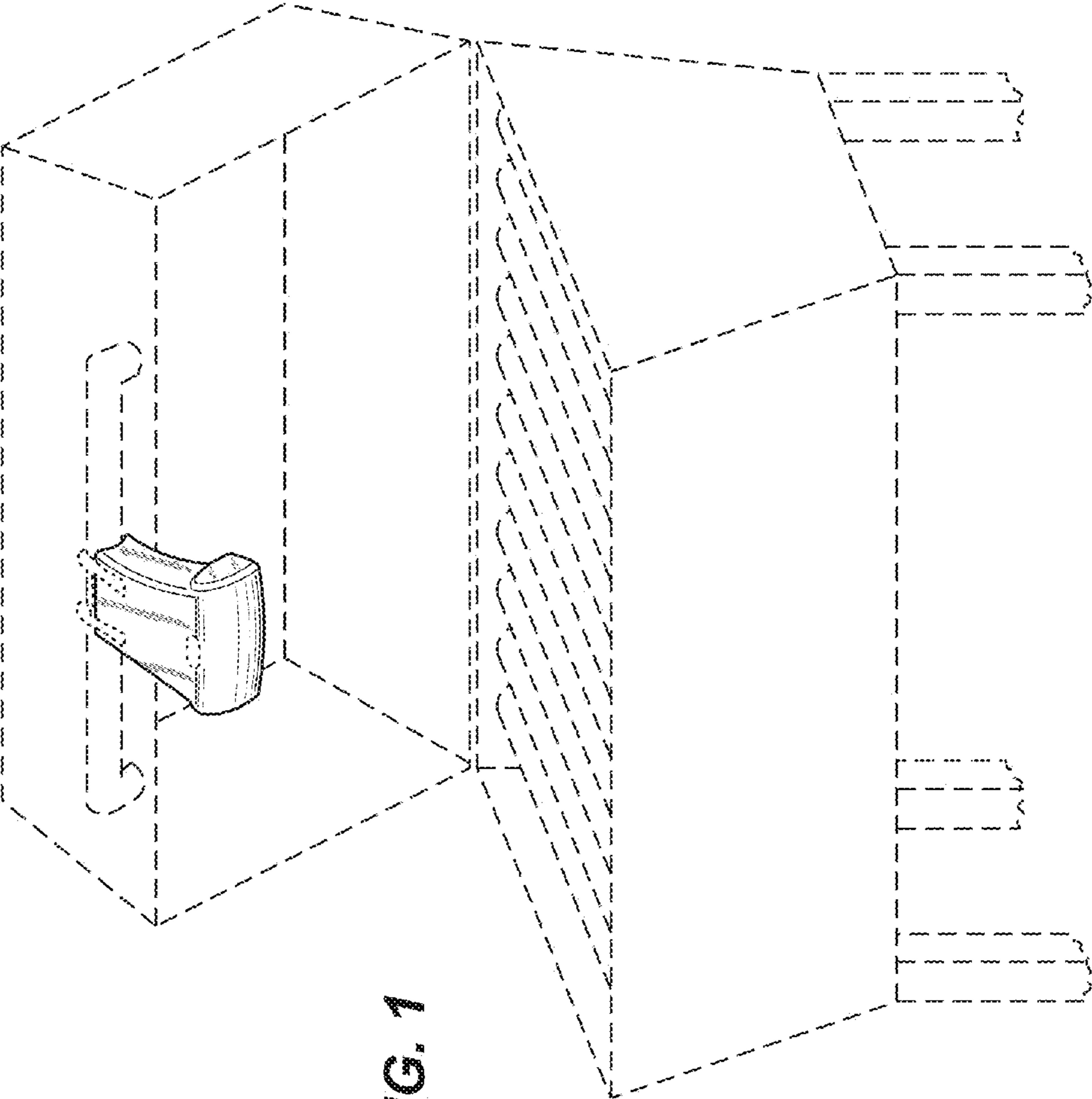


FIG. 1

FIG. 3

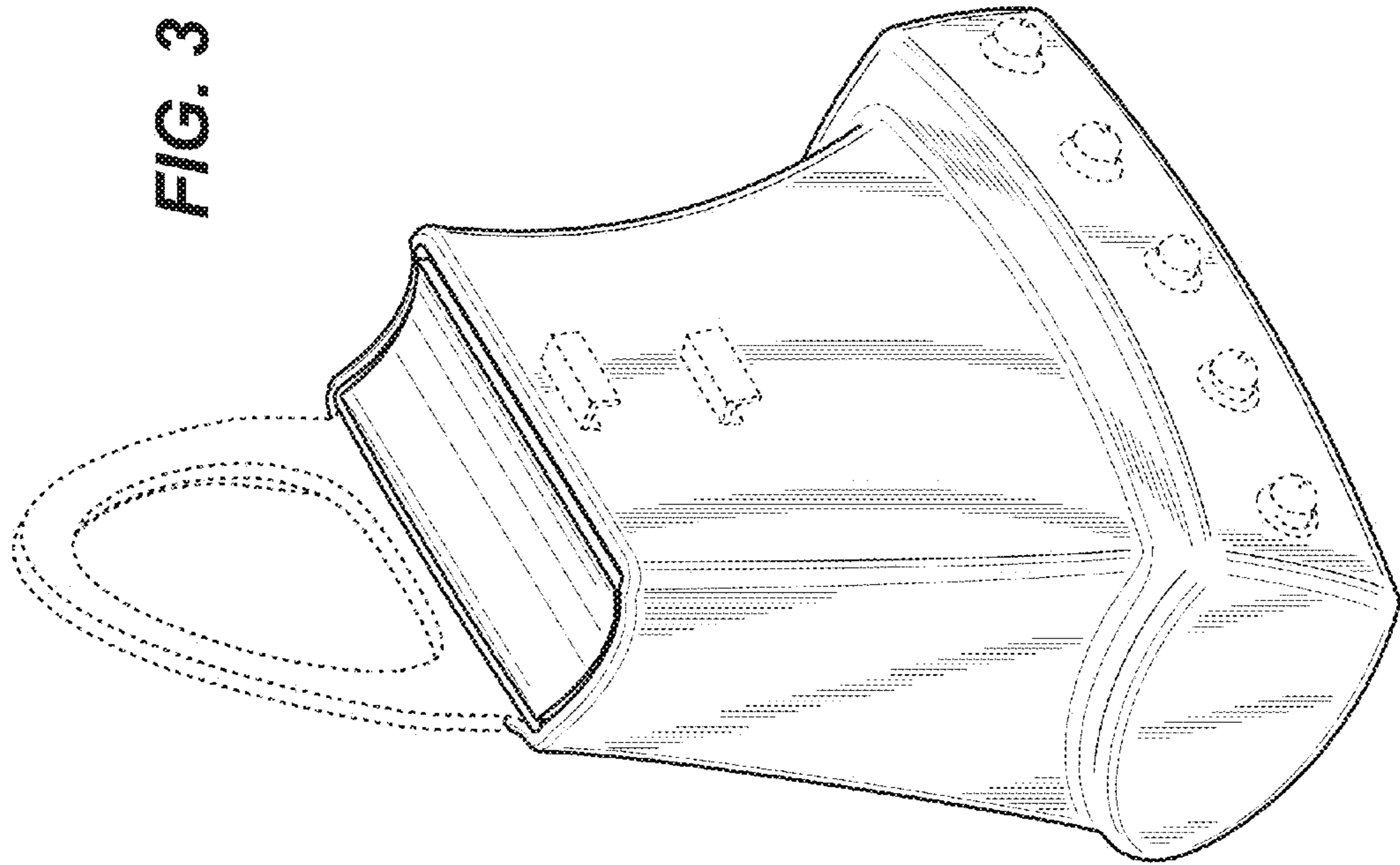
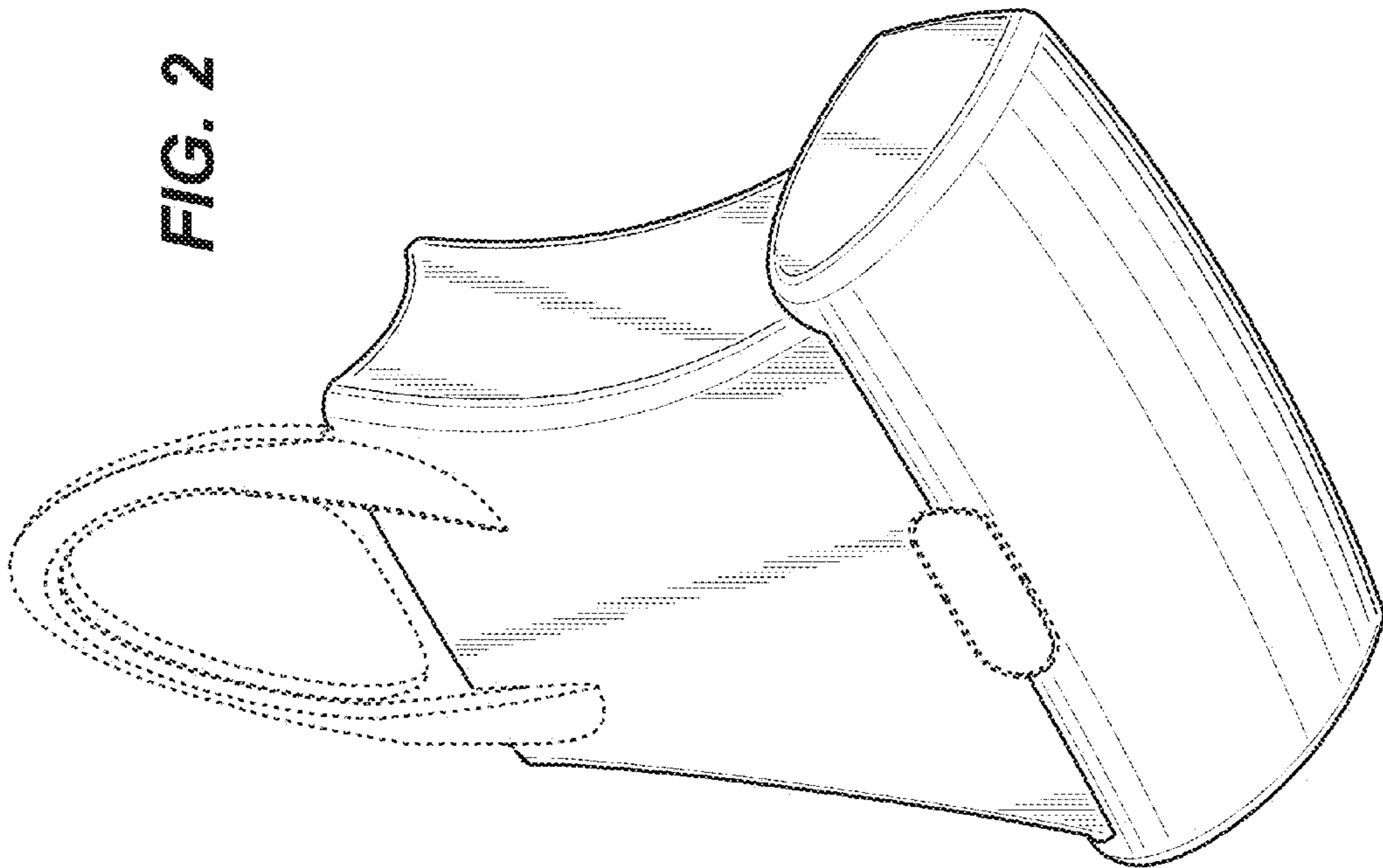


FIG. 2



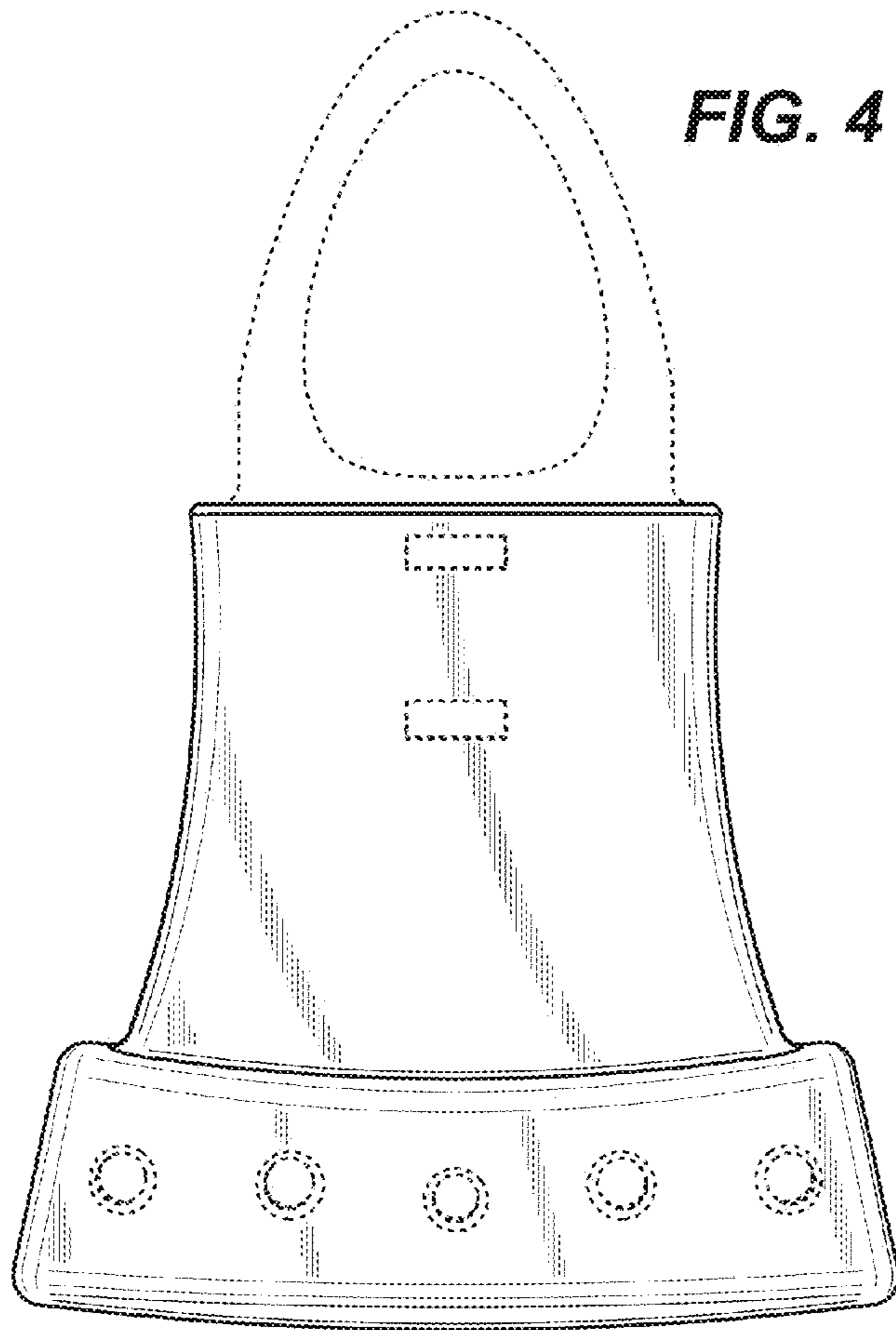


FIG. 4

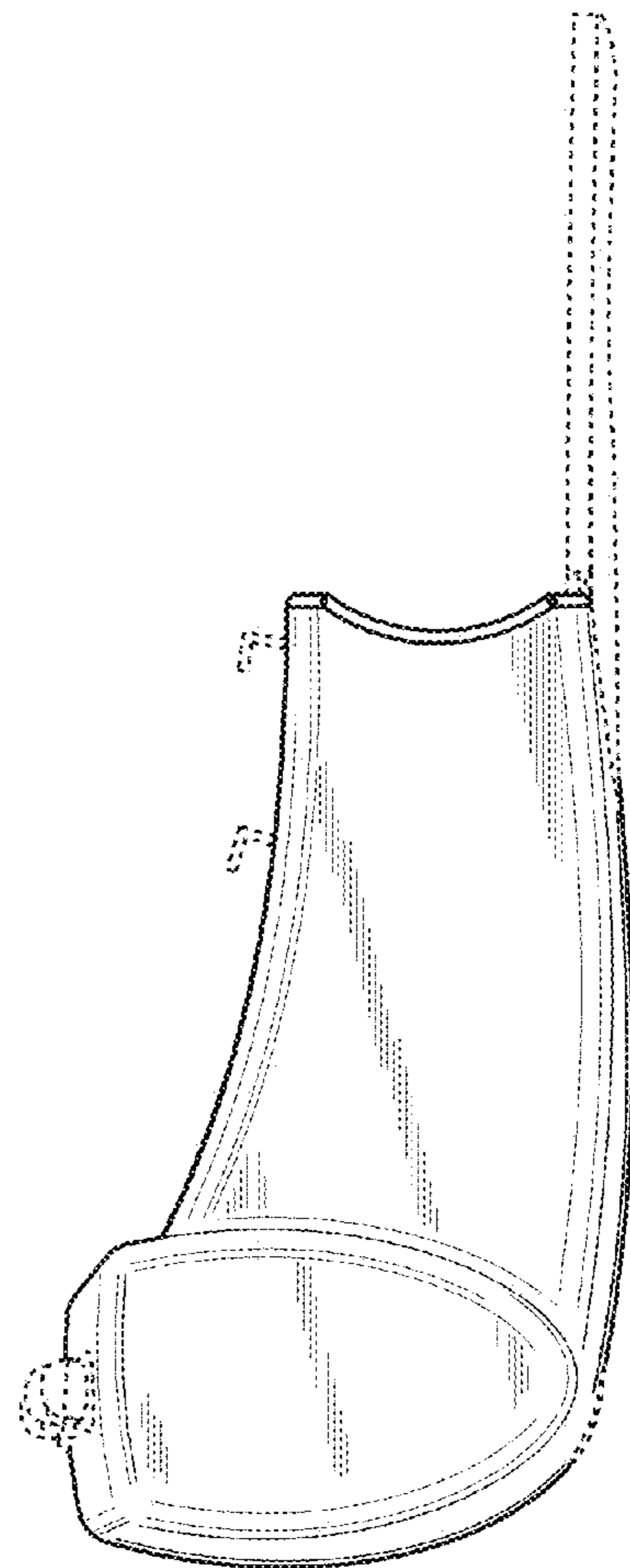


FIG. 5

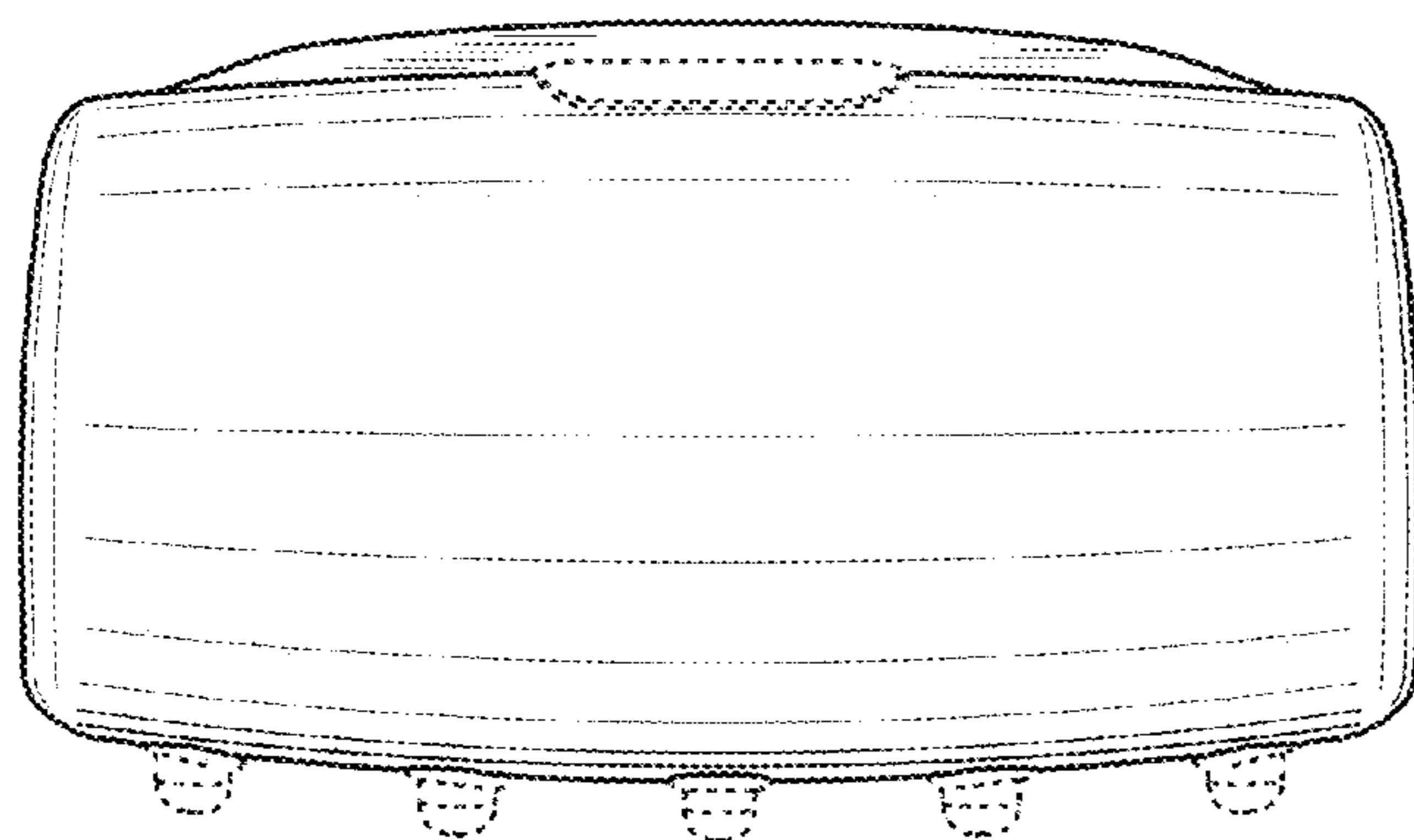


FIG. 7

