



US00D684281S

(12) **United States Design Patent**
Rioux et al.

(10) **Patent No.:** **US D684,281 S**

(45) **Date of Patent:** **** Jun. 11, 2013**

(54) **LAMP AND HEAT SINK FOR A LAMP**

(75) Inventors: **Philip Rioux**, Brentwood, NH (US);
Shiyong Zhang, Acton, MA (US);
Yichong Zeng, Chelmsford, MA (US)

(73) Assignee: **OSRAM SYLVANIA Inc.**, Danvers,
MA (US)

(**) Term: **14 Years**

(21) Appl. No.: **29/427,553**

(22) Filed: **Jul. 19, 2012**

Related U.S. Application Data

(63) Continuation of application No. 29/395,473, filed on
Jan. 27, 2012, now Pat. No. Des. 667,969, and a
continuation of application No. 29/395,476, filed on
Jan. 27, 2012.

(51) **LOC (9) Cl.** **26-04**

(52) **U.S. Cl.**
USPC **D26/2**

(58) **Field of Classification Search**
USPC D26/1-4; 313/313, 315, 316, 317,
313/318, 493; 315/52, 53, 56, 57, 58
See application file for complete search history.

(56) **References Cited**

U.S. PATENT DOCUMENTS

D433,167 S * 10/2000 Yim D26/2
D463,584 S * 9/2002 Yim D26/2
D535,038 S * 1/2007 Egawa et al. D26/2
2010/0133578 A1 6/2010 Pickard et al.

FOREIGN PATENT DOCUMENTS

EP 2256403 A2 12/2010
WO 2011029724 A1 3/2011

OTHER PUBLICATIONS

Sylvania Ultra LED Narrow Beam Par 38 Lamps, shown on May 7,
2012 at Las Vegas Light Fair Trade Show (1 page).

* cited by examiner

Primary Examiner — Marcus Jackson

(74) *Attorney, Agent, or Firm* — Edward S. Podszus

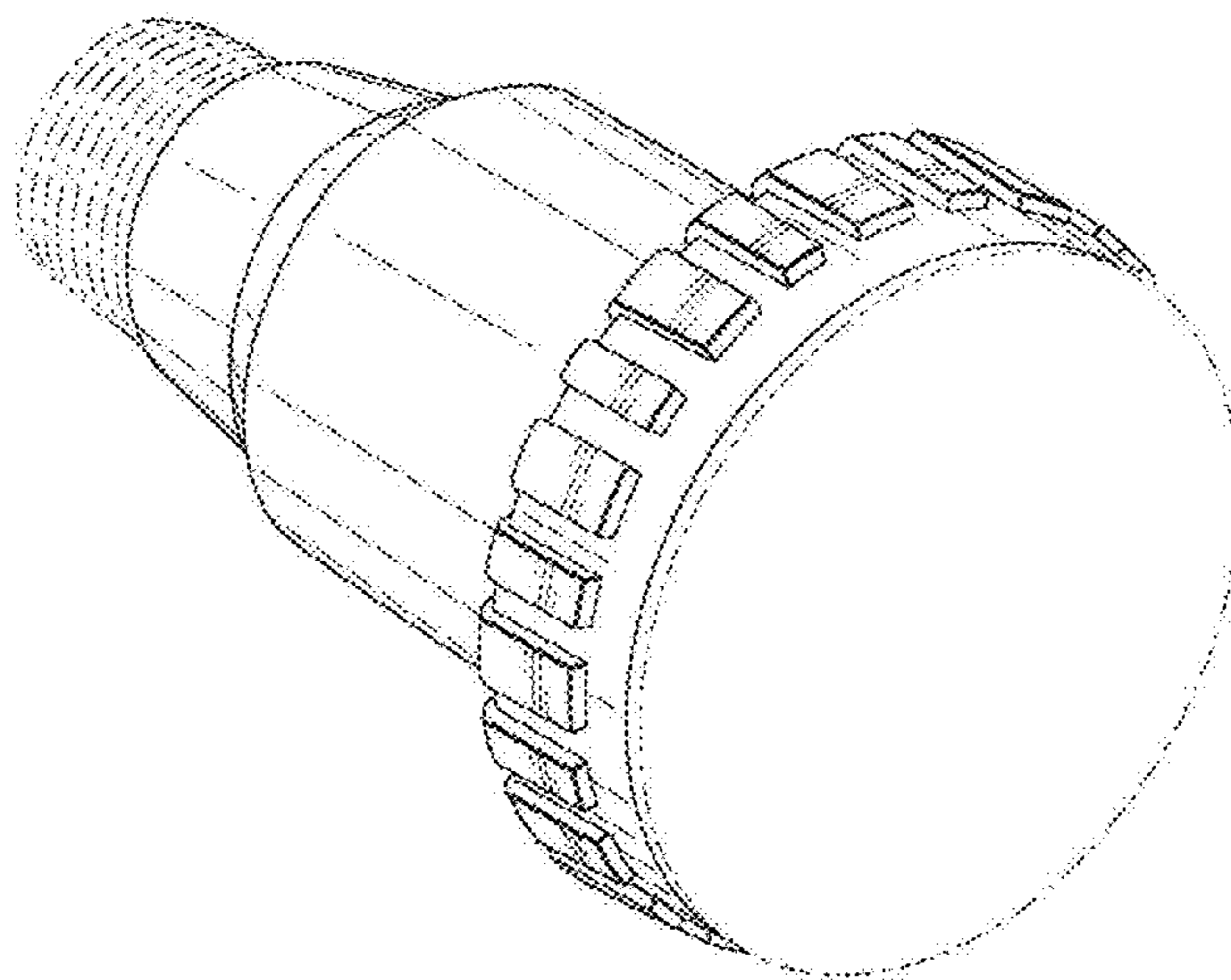
(57) **CLAIM**

The ornamental design for a lamp and heat sink for a lamp, as
shown and described.

DESCRIPTION

FIG. 1 is a perspective view of the design for a lamp as seen
from the front, top;
FIG. 2 is a rear perspective view as seen from the rear, side
thereof;
FIG. 3 is a side elevational view thereof;
FIG. 4 is a top plan view thereof; and,
FIG. 5 is a rear plan view thereof.
The broken line disclosure is for environmental purposes only
and does not form a part of the claimed design.

1 Claim, 5 Drawing Sheets



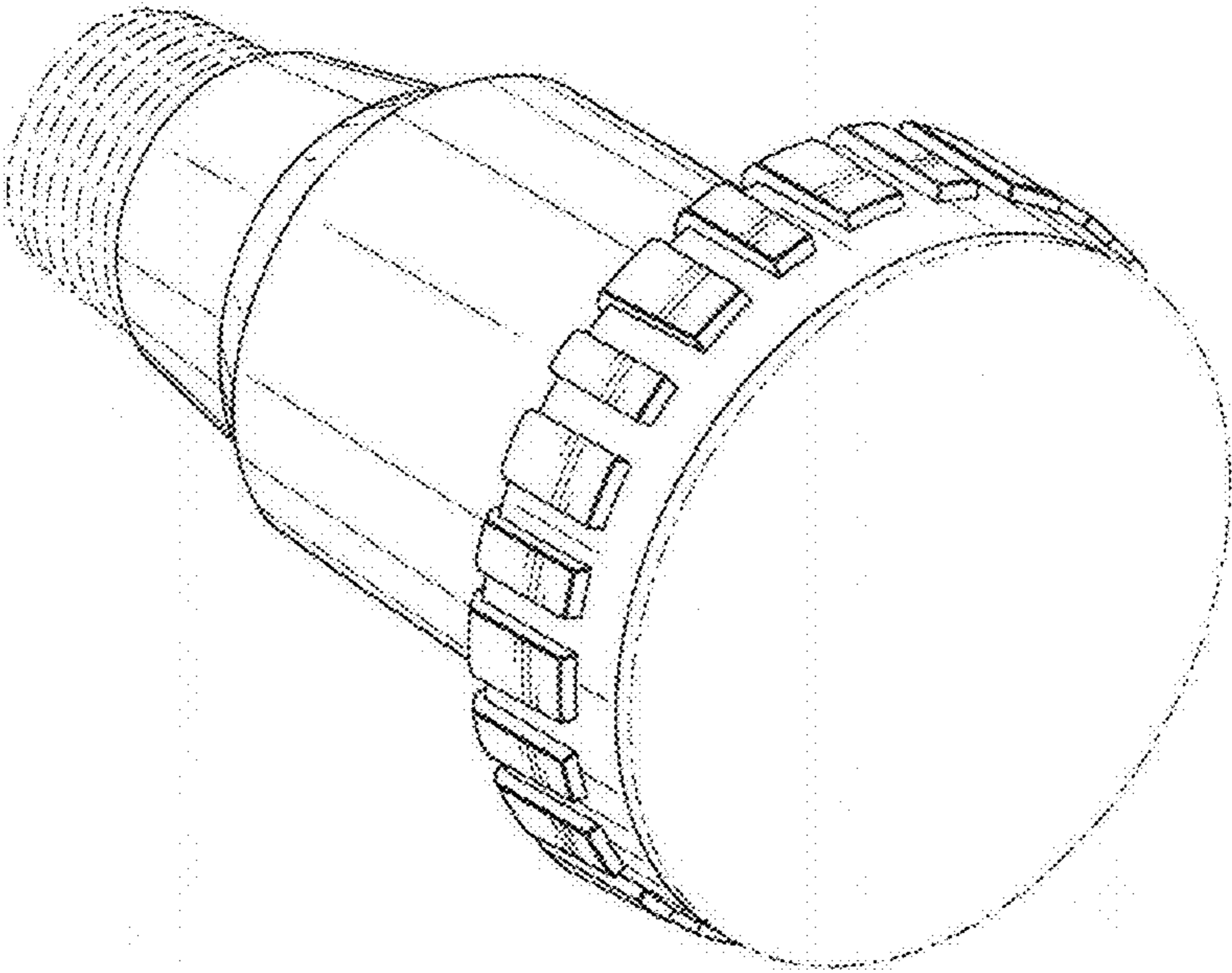


FIG. 1

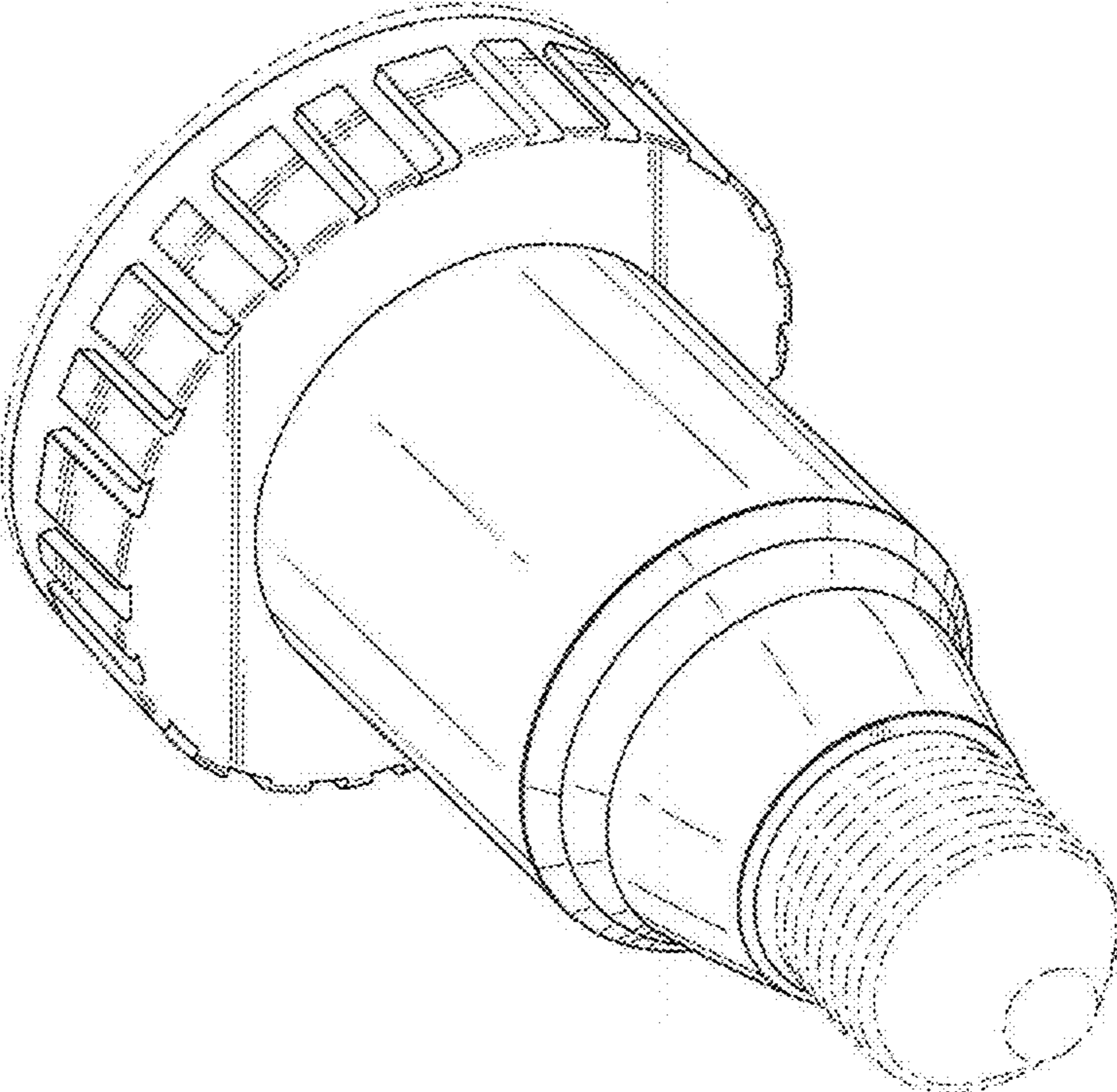


FIG. 2

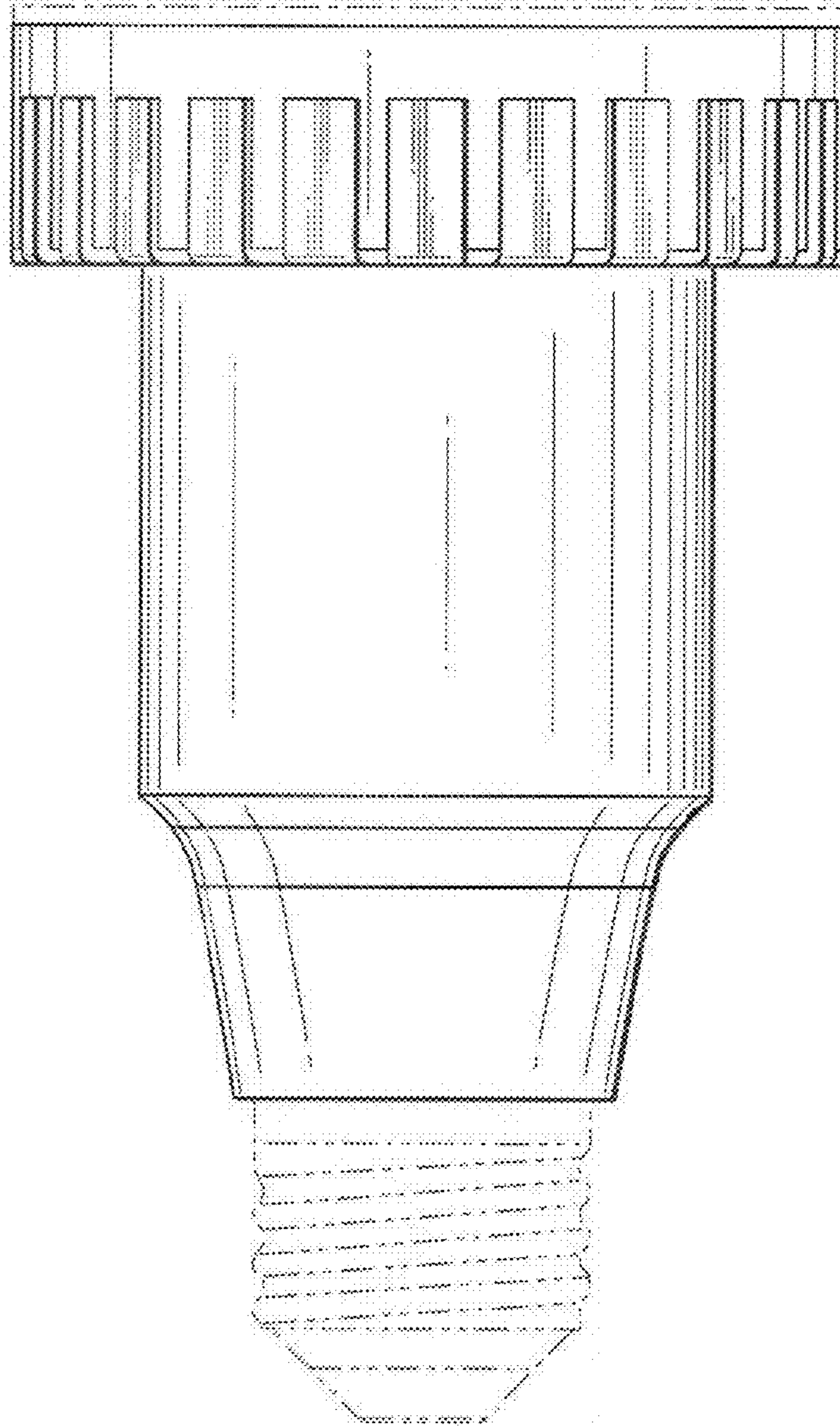


FIG. 3

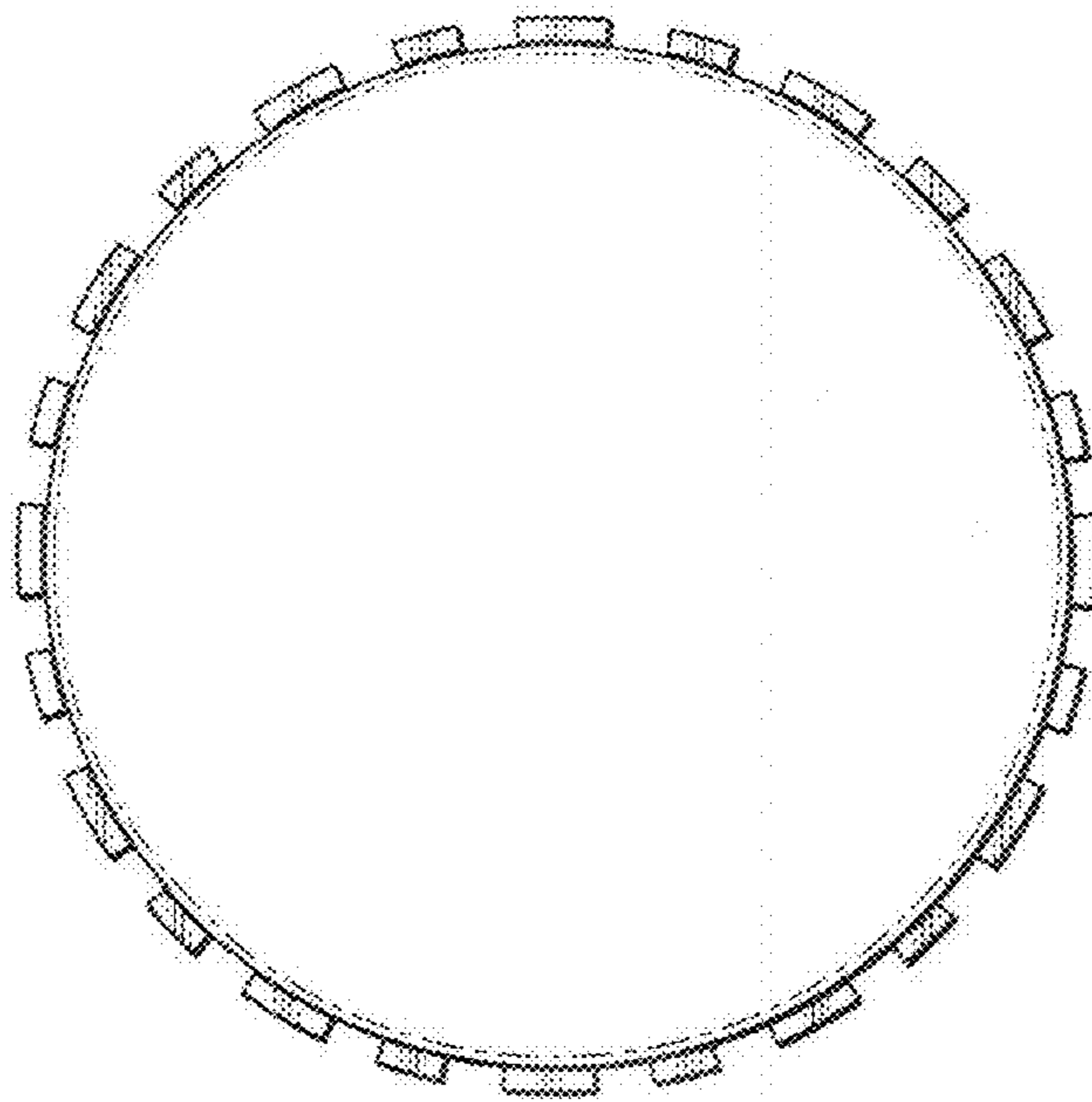


FIG. 4

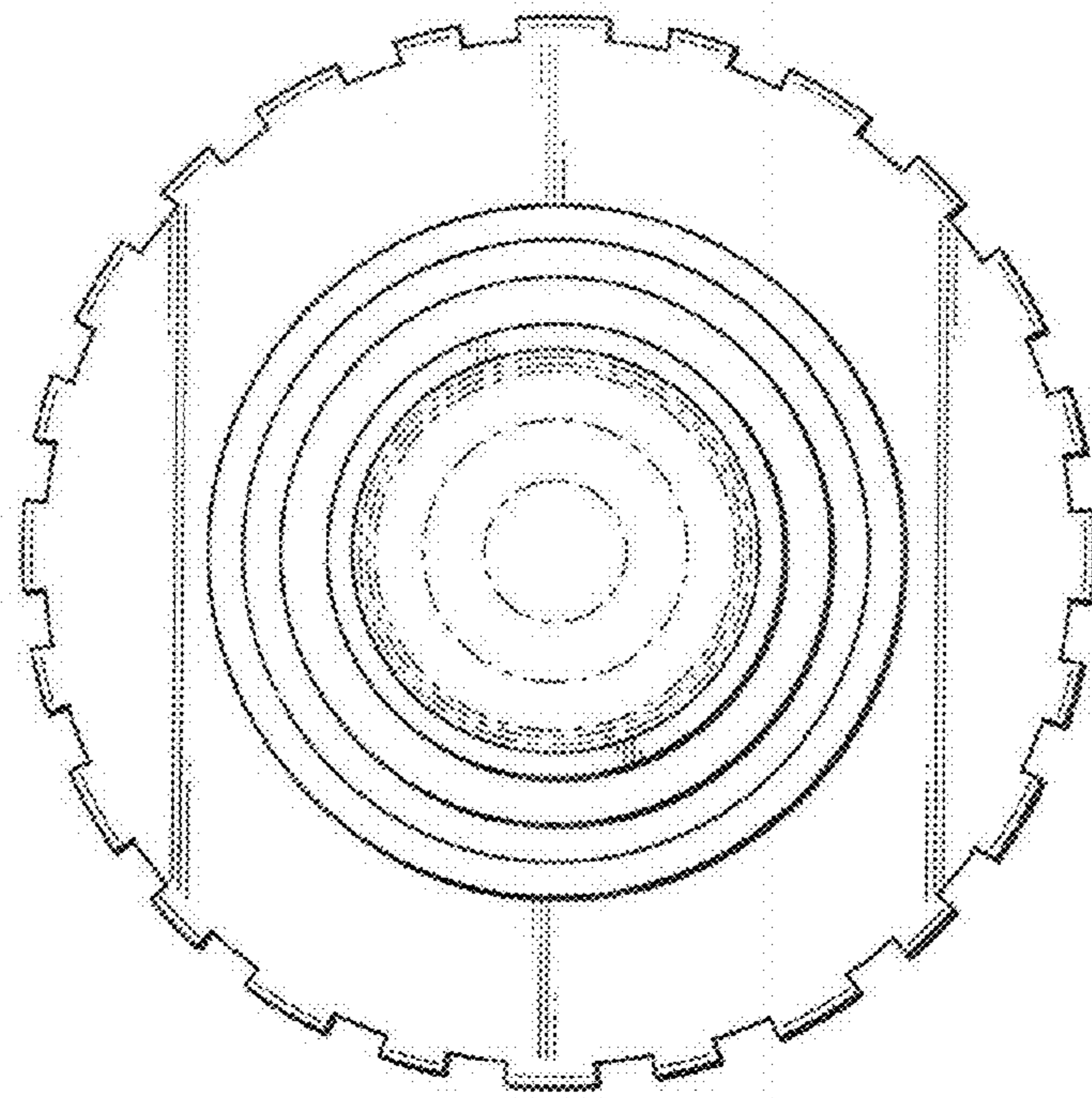


FIG. 5