



US00D684280S

(12) **United States Design Patent**  
**Moore**

(10) **Patent No.:** **US D684,280 S**  
(45) **Date of Patent:** **\*\* Jun. 11, 2013**

(54) **VENTED TRANSITION FLASHING**

6,955,010 B2 \* 10/2005 Martin ..... 52/94

(76) Inventor: **Mark D. Moore**, Livonia, MI (US)

\* cited by examiner

(\*\*) Term: **14 Years**

*Primary Examiner* — Doris Clark

(74) *Attorney, Agent, or Firm* — QuickPatents; Kevin Prince

(21) Appl. No.: **29/416,308**

(57) **CLAIM**

I claim the ornamental design for a vented transition flashing, as shown and described.

(22) Filed: **Mar. 21, 2012**

**DESCRIPTION**

(51) **LOC (9) Cl.** ..... **25-01**

(52) **U.S. Cl.**  
USPC ..... **D25/199**

(58) **Field of Classification Search**  
USPC ..... D25/199; D23/373; 52/11, 12, 23,  
52/58, 61, 62, 95, 96  
See application file for complete search history.

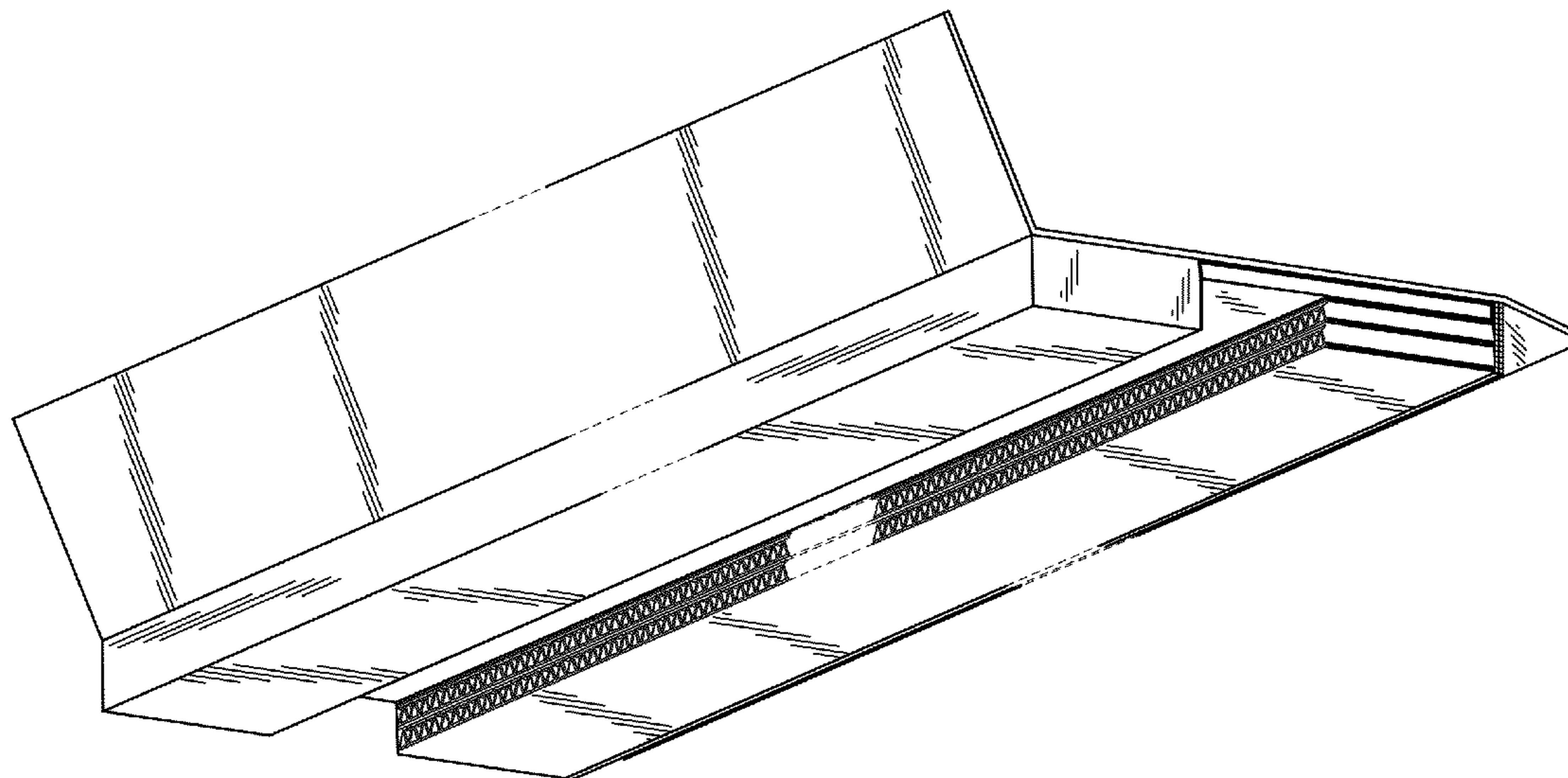
FIG. 1 is a bottom perspective view of a vented transition flashing, showing my new design;  
FIG. 2 is a right-side elevational view thereof, the left-side elevational view being a mirror image thereof;  
FIG. 3 is a top plan view thereof;  
FIG. 4 is a front elevational view thereof;  
FIG. 5 is a bottom plan view thereof; and,  
FIG. 6 is a rear elevational view thereof.  
The broken lines depict the design being of indeterminate length.

(56) **References Cited**

**U.S. PATENT DOCUMENTS**

5,272,846 A \* 12/1993 Kelley et al. .... 52/96  
D448,095 S \* 9/2001 Merideth ..... D25/199

**1 Claim, 3 Drawing Sheets**



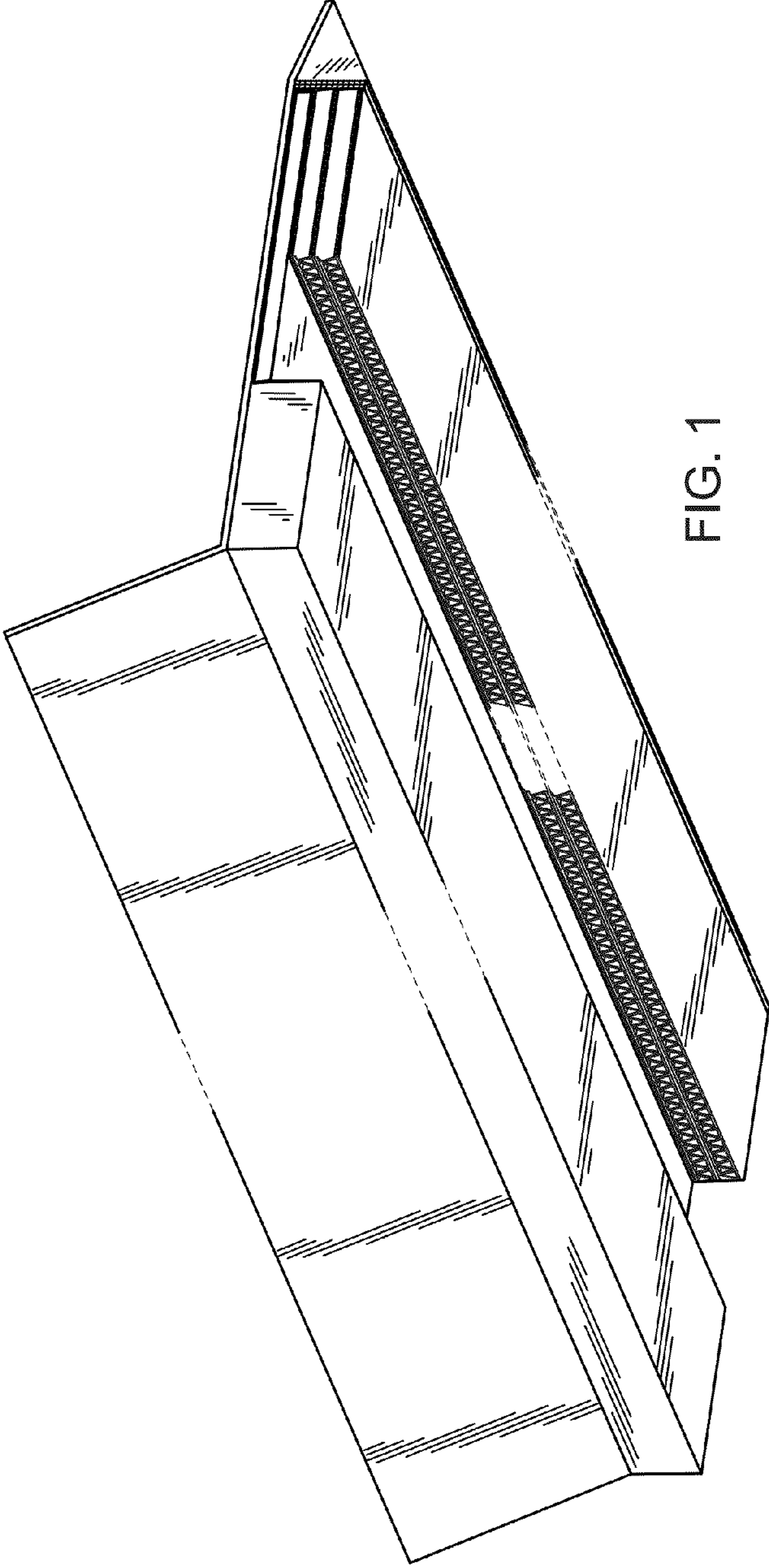


FIG. 1

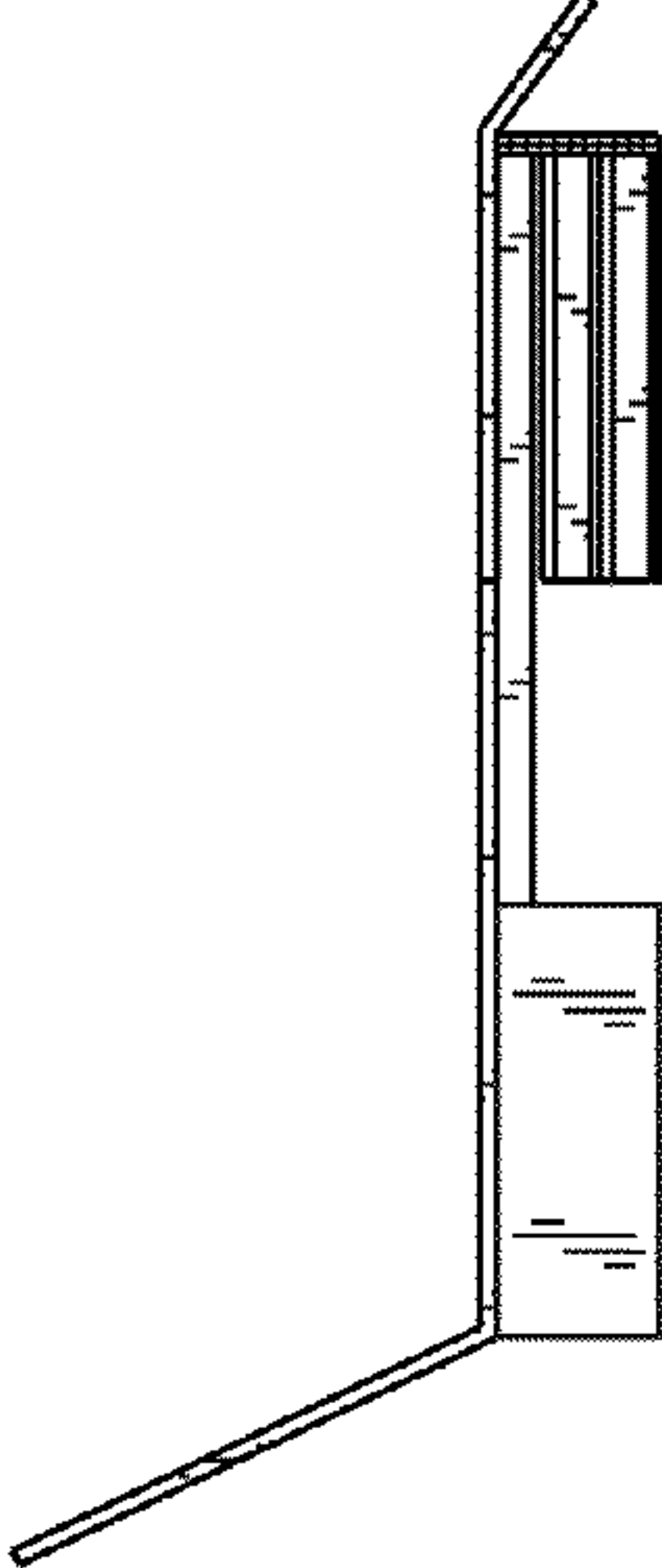


FIG. 2

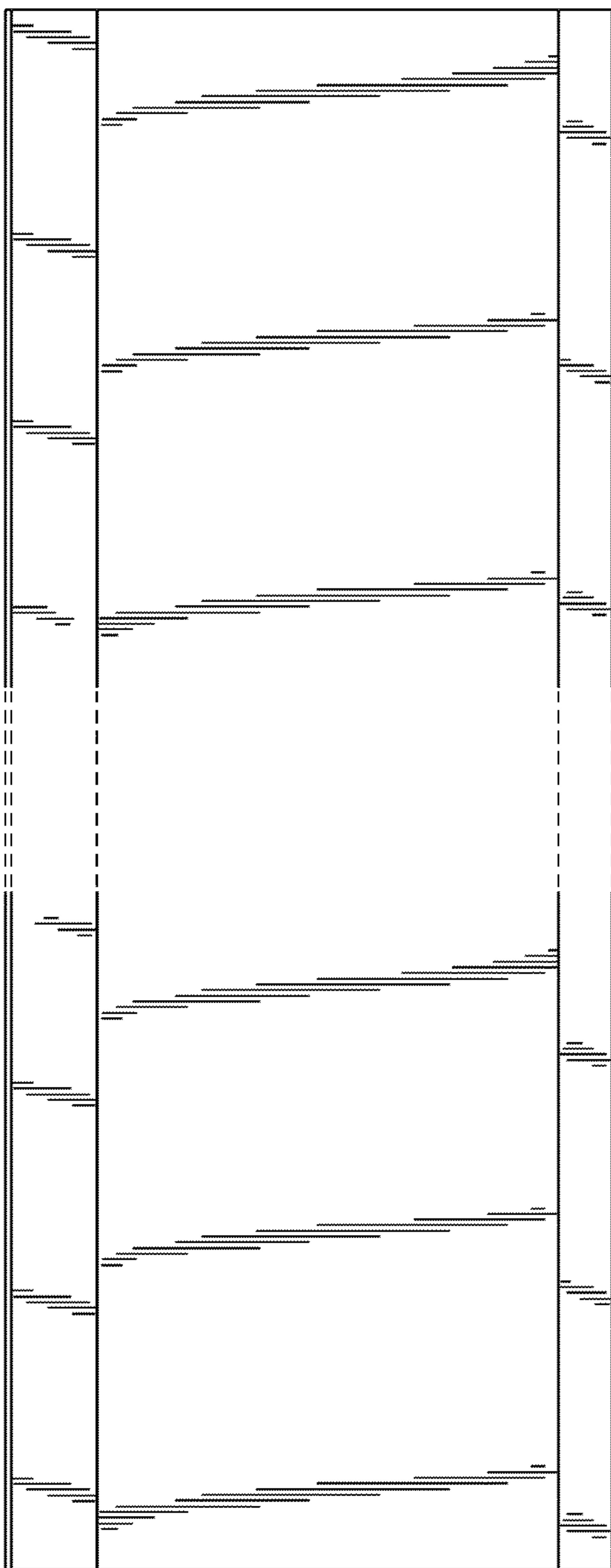


FIG. 3

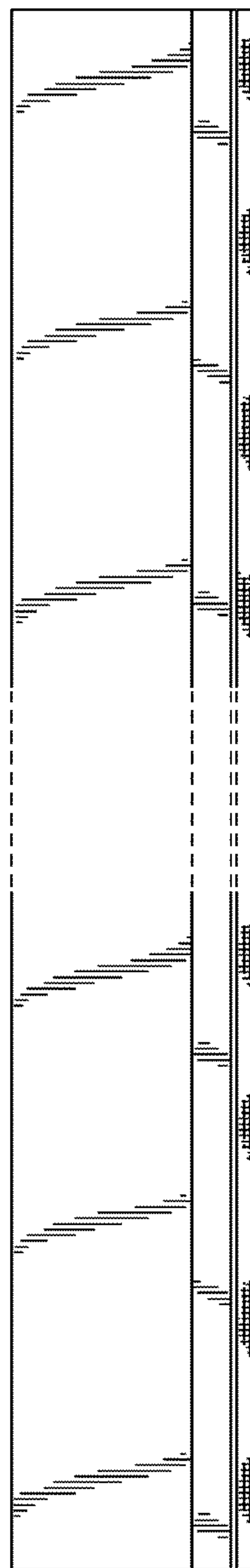


FIG. 4

