



US00D684278S

(12) **United States Design Patent**  
**Kieffer et al.**

(10) **Patent No.:** **US D684,278 S**  
(45) **Date of Patent:** **\*\* Jun. 11, 2013**

(54) **COLLAPSIBLE FIVE LEGGED STEPSTOOL**

(56) **References Cited**

(75) Inventors: **Mitchell I. Kieffer**, Minneapolis, MN  
(US); **John Pat McCool**, Brooklyn, NY  
(US); **Allen Caldwell**, Shakopee, MN  
(US); **Matthew Decker**, Minneapolis,  
MN (US); **Matthew Kunkel**,  
Minneapolis, MN (US)

U.S. PATENT DOCUMENTS

3,016,976	A	*	1/1962	Munson	.....	182/194
5,062,499	A	*	11/1991	Tu	.....	182/166
6,073,726	A	*	6/2000	McCrystal	.....	182/195
D449,385	S	*	10/2001	Rosko	.....	D25/64
D564,676	S	*	3/2008	Farber et al.	.....	D25/65

\* cited by examiner

*Primary Examiner* — Doris Clark  
(74) *Attorney, Agent, or Firm* — Fredrikson & Byron, P.A.

(73) Assignee: **Core Distribution, Inc.**, Minneapolis,  
MN (US)

(57) **CLAIM**

We claim the ornamental design for a collapsible five legged stepstool, as shown and described.

(\*\*) Term: **14 Years**

**DESCRIPTION**

(21) Appl. No.: **29/411,463**

FIG. 1 is a front perspective view of the collapsible five legged stepstool of our design;  
FIG. 2 is a right-side elevation view thereof, the left-side elevation view being a mirror image thereof;  
FIG. 3 is a front elevational view thereof;  
FIG. 4 is a rear elevational view thereof;  
FIG. 5 is a top plan view thereof; and,  
FIG. 6 is a bottom plan view thereof.  
Where included, broken lines showing environment or structure are for illustrative purposes only and form no part of the claimed design.

(22) Filed: **Jan. 20, 2012**

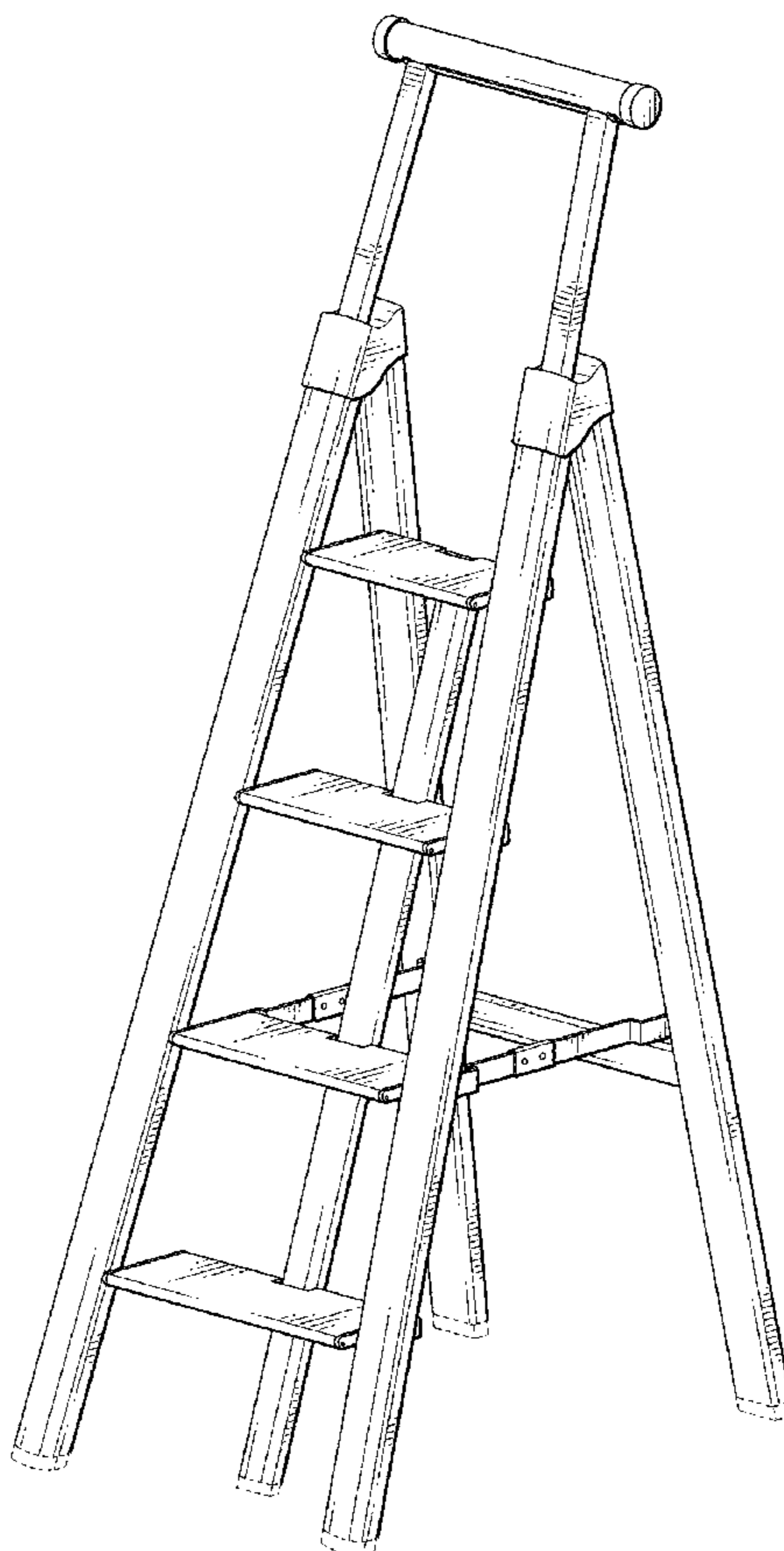
(51) **LOC (9) Cl.** ..... **25-04**

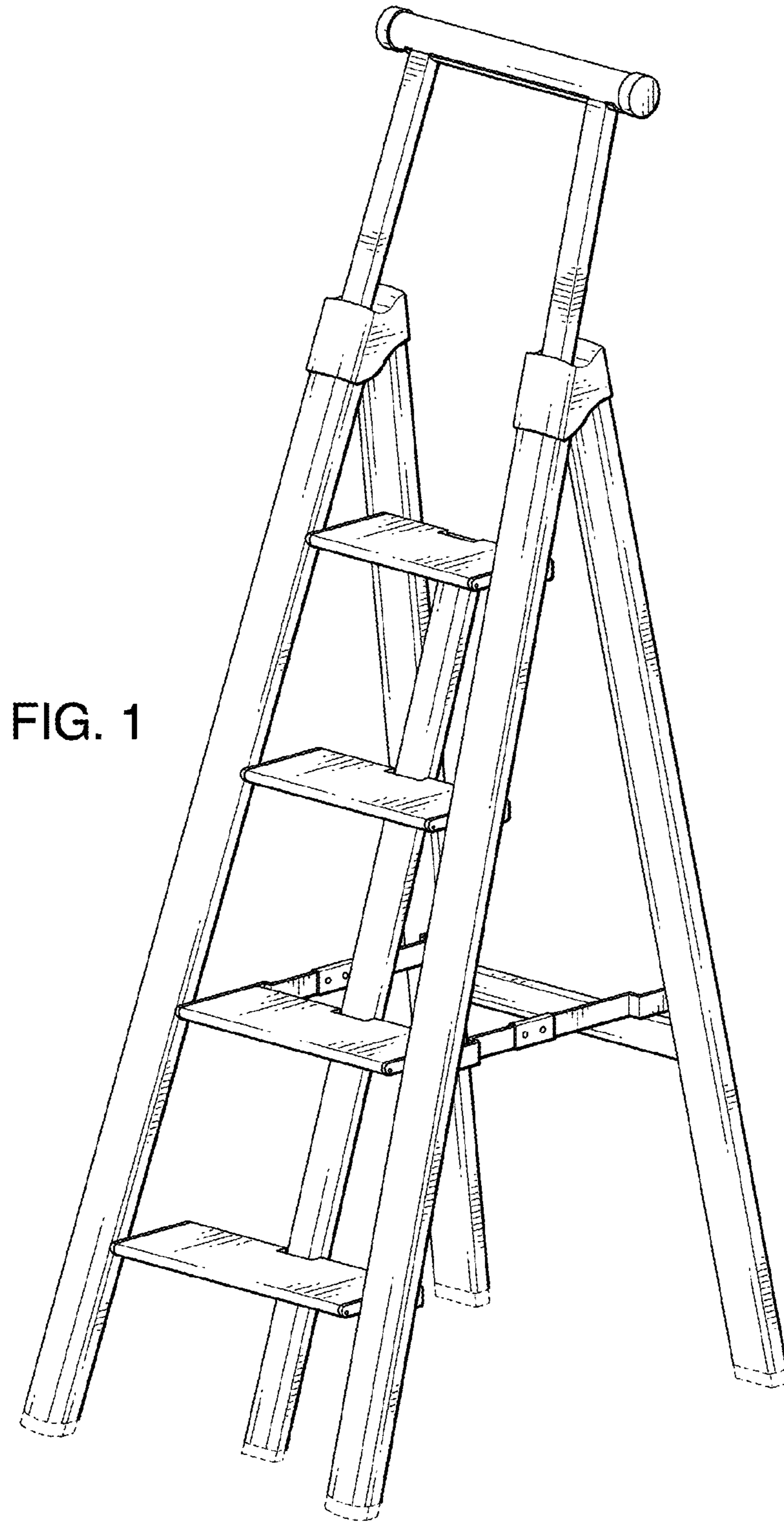
(52) **U.S. Cl.**  
USPC ..... **D25/65**

(58) **Field of Classification Search**  
USPC ..... D25/64, 65; 182/194, 209, 210, 180.1,  
182/186.8, 195, 207

See application file for complete search history.

**1 Claim, 5 Drawing Sheets**





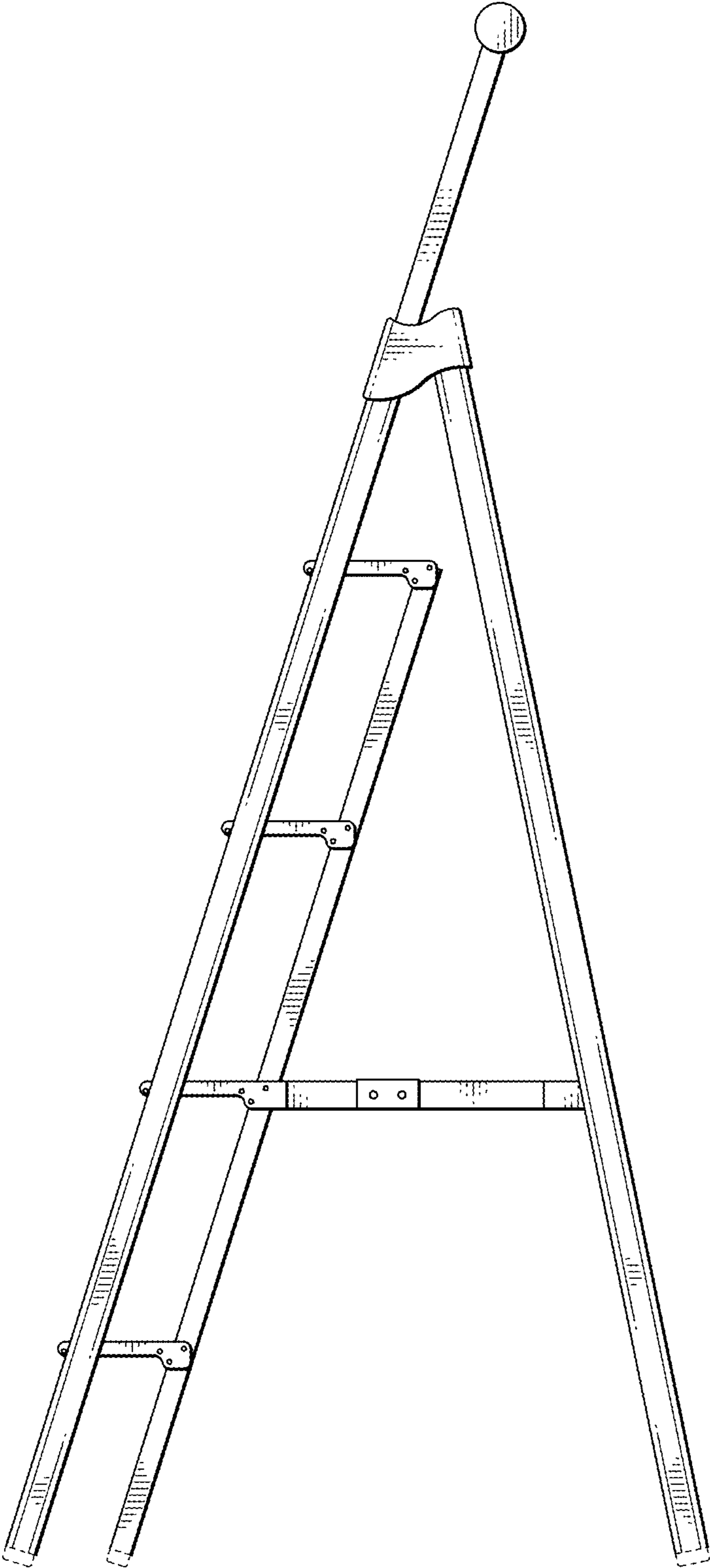


FIG. 2

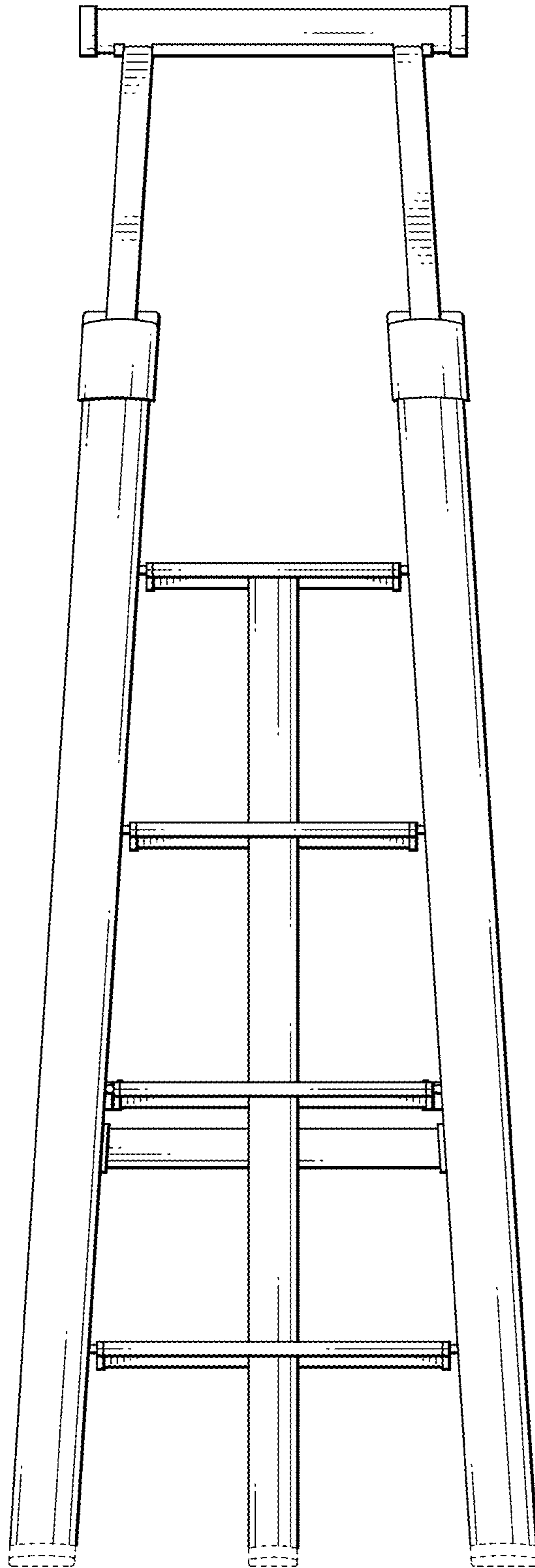


FIG. 3

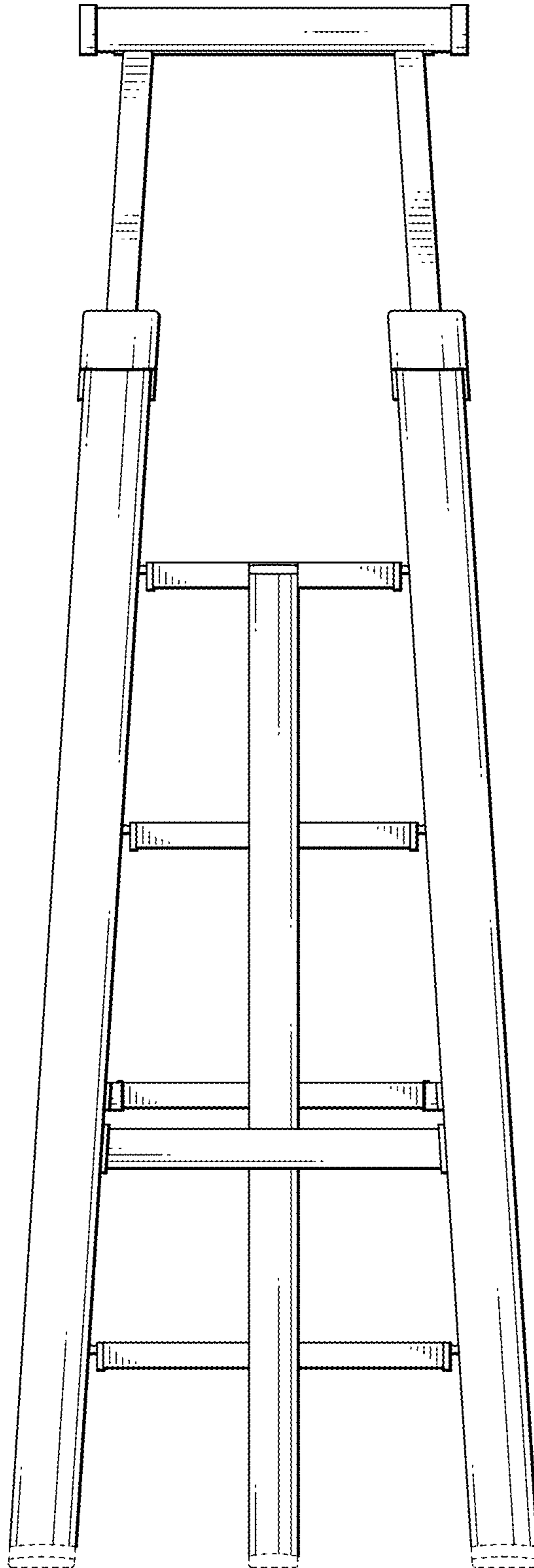


FIG. 4

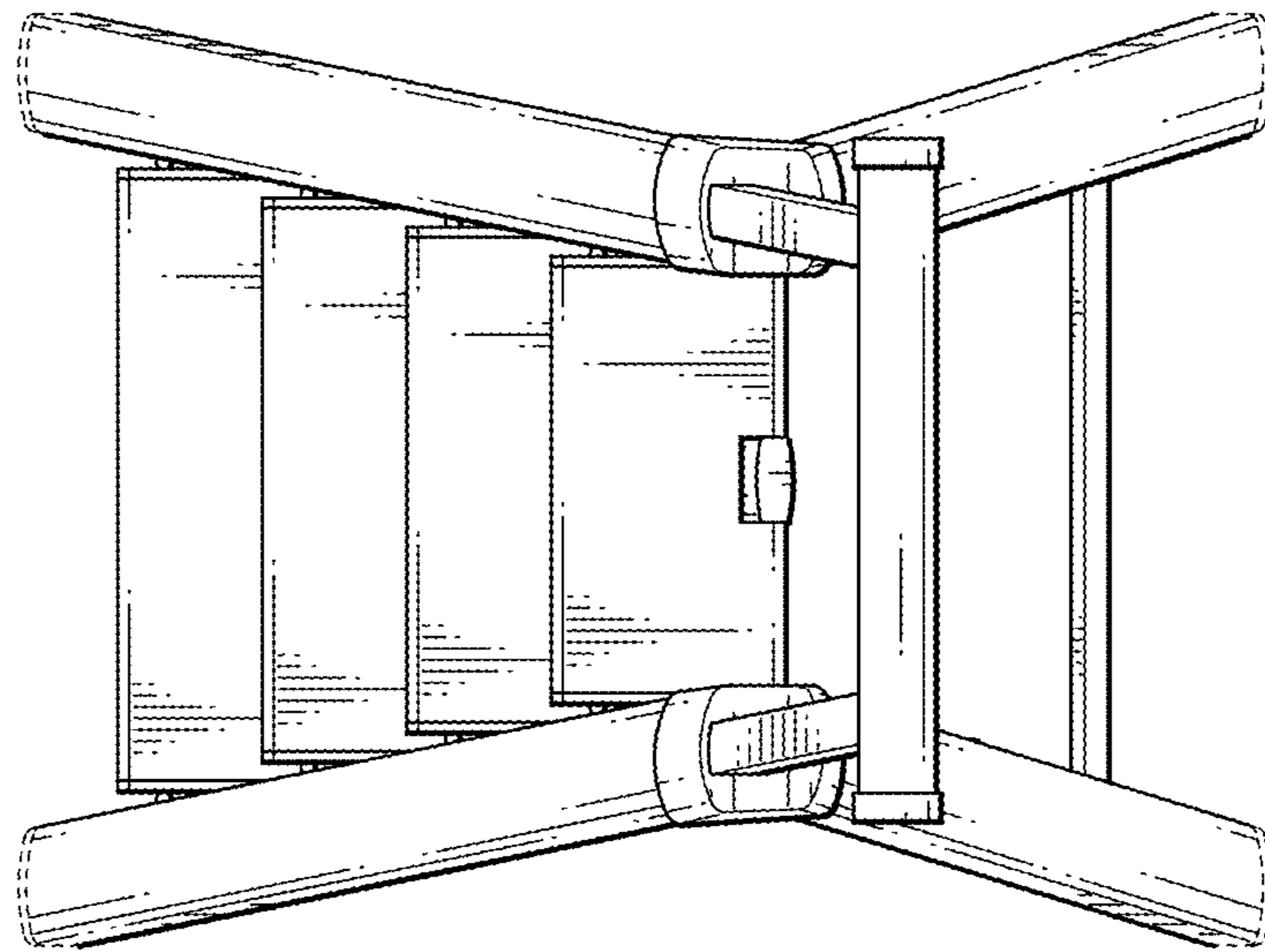


FIG. 5

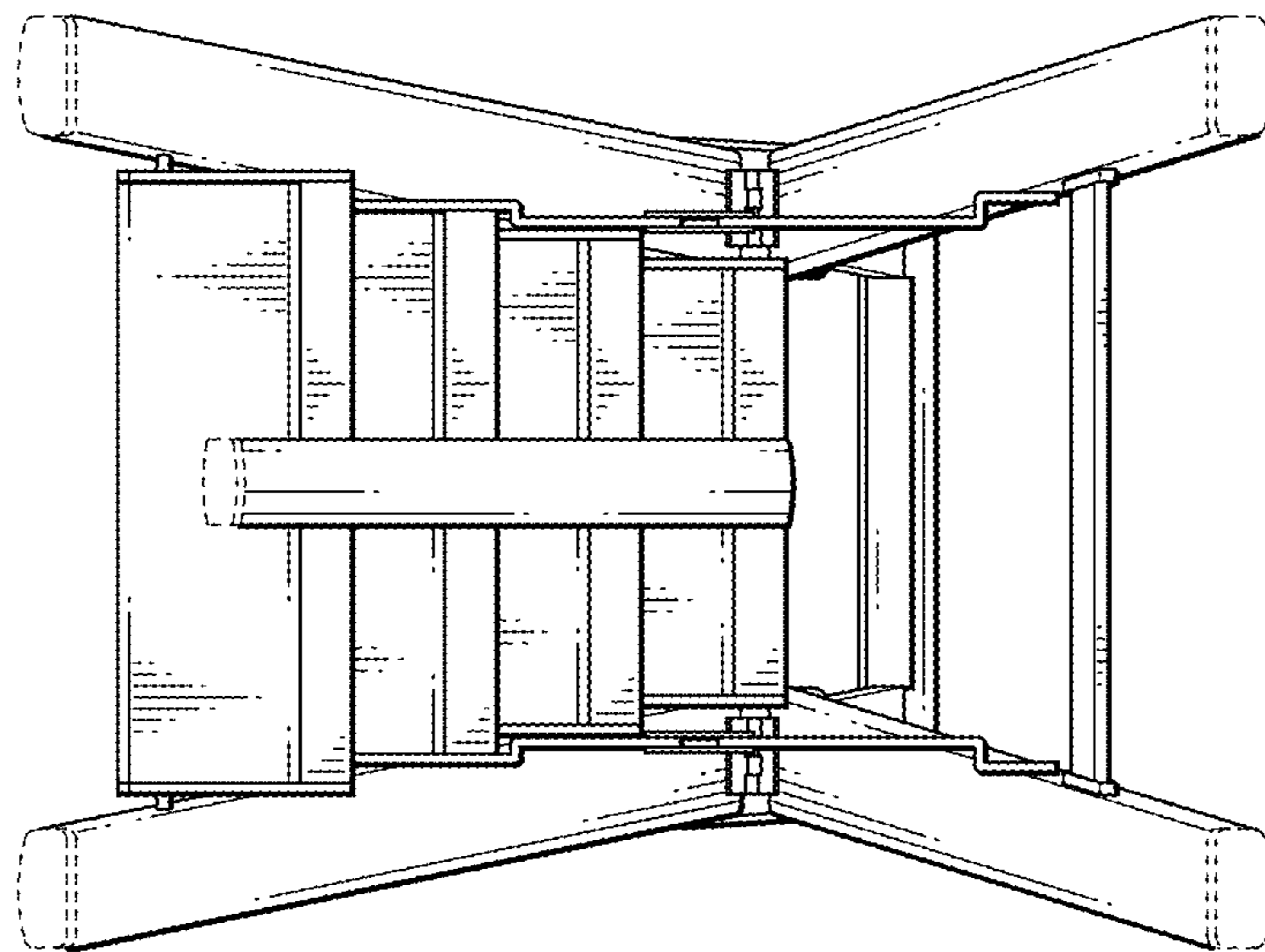


FIG. 6