



US00D684277S

(12) **United States Design Patent**
Mazaheri

(10) **Patent No.:** **US D684,277 S**
(45) **Date of Patent:** **** Jun. 11, 2013**

(54) **CHORD FOR TRUSSES**

2,508,066 A * 5/1950 Holmstrom 52/844
D374,292 S * 10/1996 Koo et al. D25/61

(76) Inventor: **Majid Mazaheri**, Tehran (IR)

* cited by examiner

(**) Term: **14 Years**

Primary Examiner — Doris Clark

(21) Appl. No.: **29/411,121**

(57) **CLAIM**

The ornamental design for a chord for trusses, as shown and described.

(22) Filed: **Jan. 17, 2012**

(51) **LOC (9) Cl.** **25-02**

(52) **U.S. Cl.**
USPC **D25/61**

(58) **Field of Classification Search**
USPC D25/61; 52/690, 692, 695, 634, 635,
52/636, 638, 647, 694

See application file for complete search history.

(56) **References Cited**

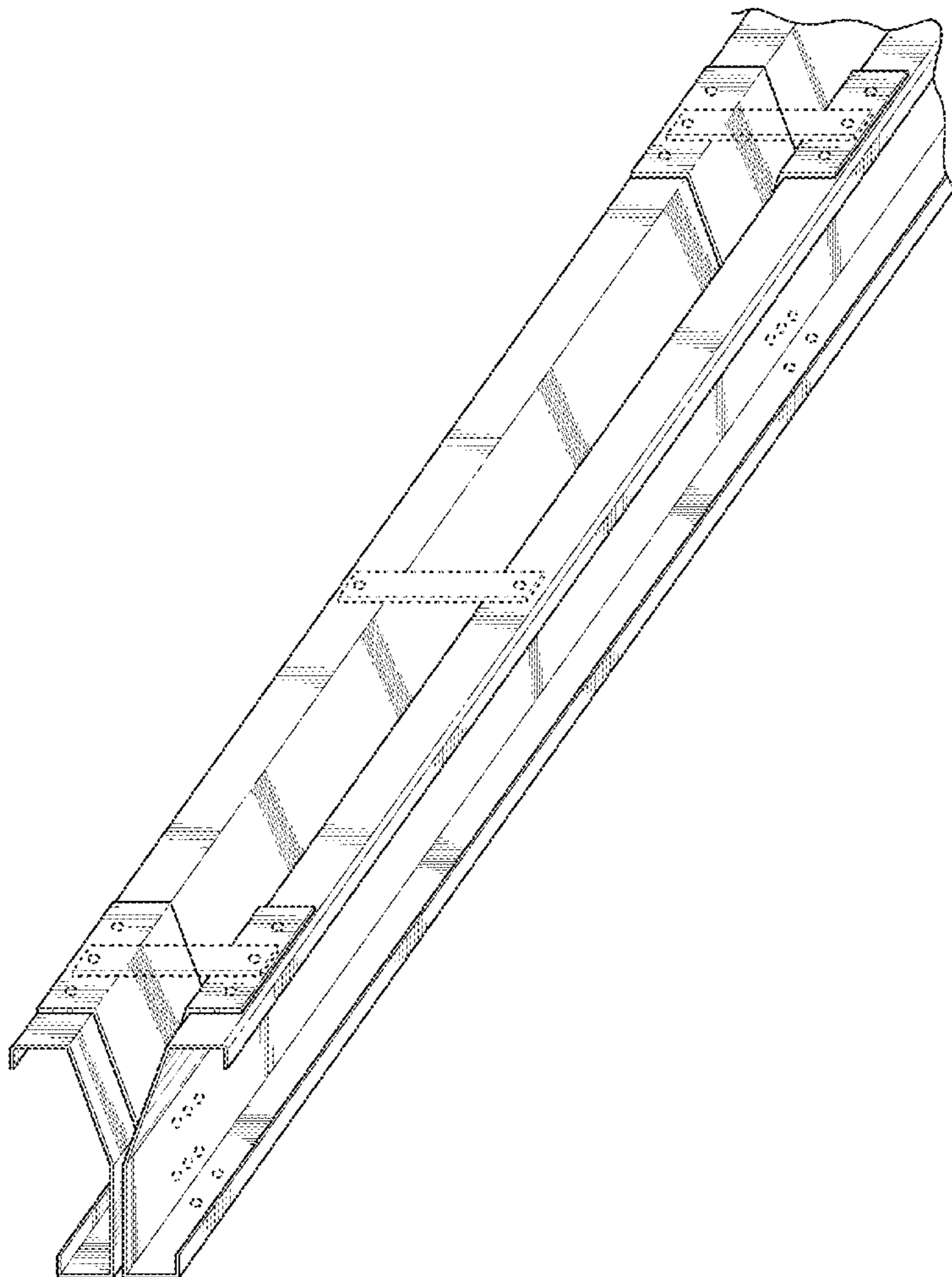
U.S. PATENT DOCUMENTS

1,500,235 A * 7/1924 Clark 244/131
1,675,825 A * 7/1928 Schlafly 52/694

DESCRIPTION

FIG. 1 is a top, front perspective view of the chord for trusses.
FIG. 2 is a top view thereof.
FIG. 3 is a bottom view thereof.
FIG. 4 is a front view thereof, with the back view being the same.
FIG. 5 is a right-side view thereof; and,
FIG. 6 is a left-side view thereof.
The broken lines represent unclaimed subject matter and form no part of the claimed design.

1 Claim, 3 Drawing Sheets



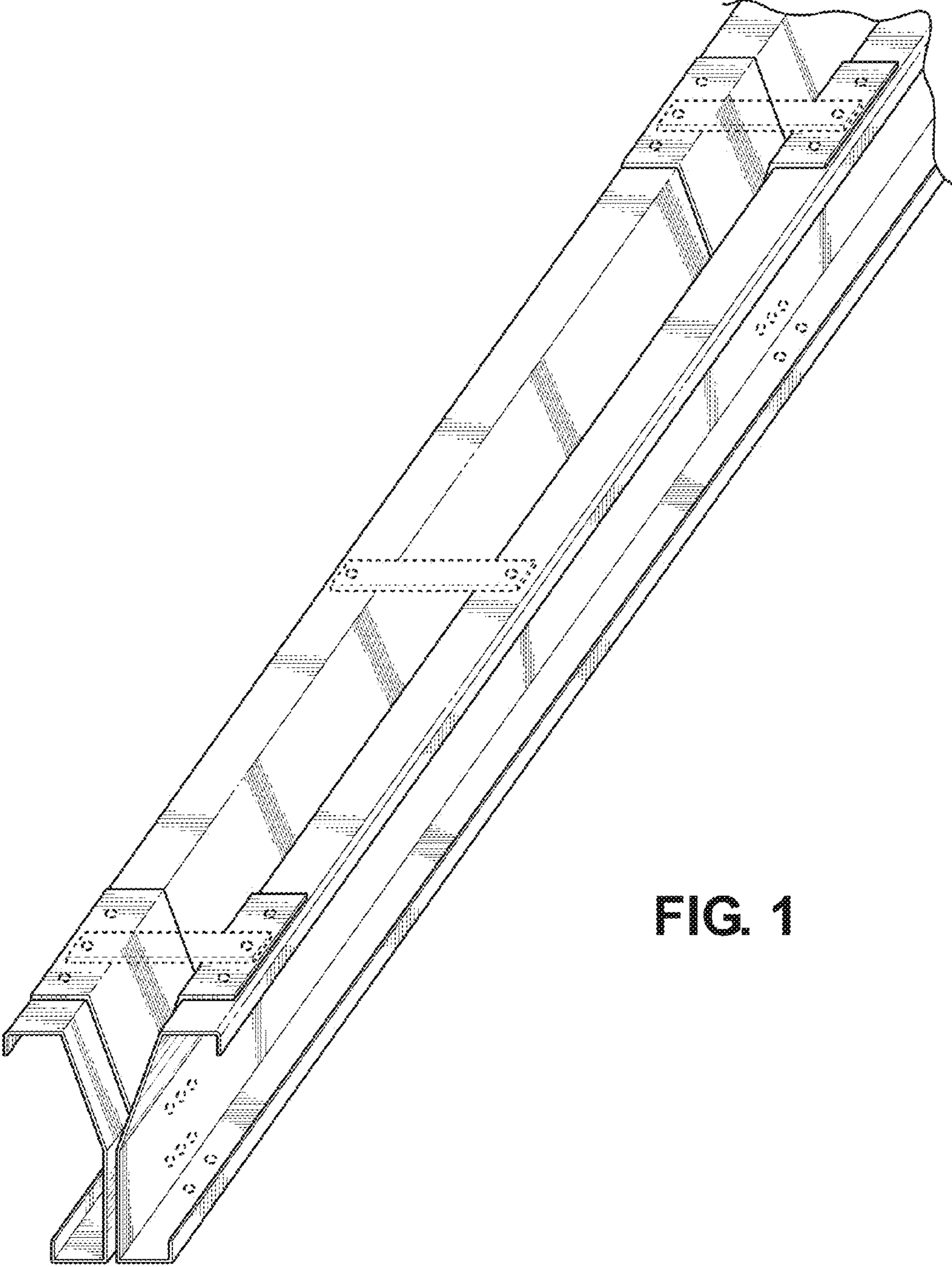


FIG. 1

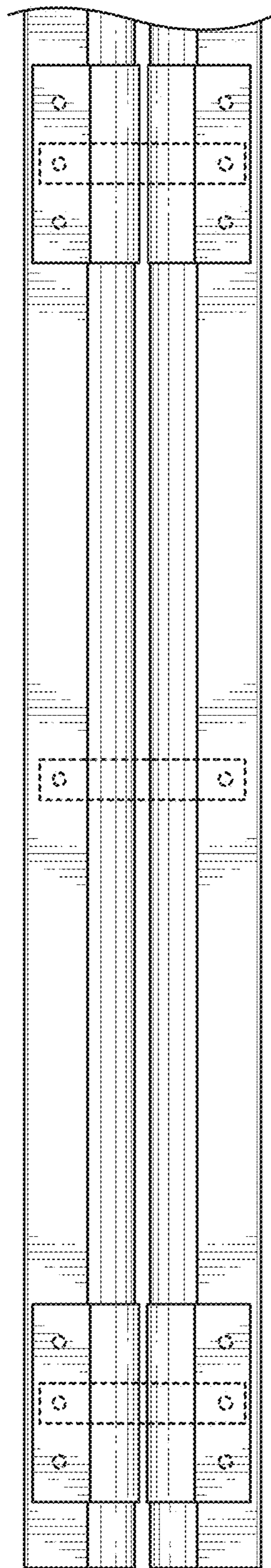


FIG. 2

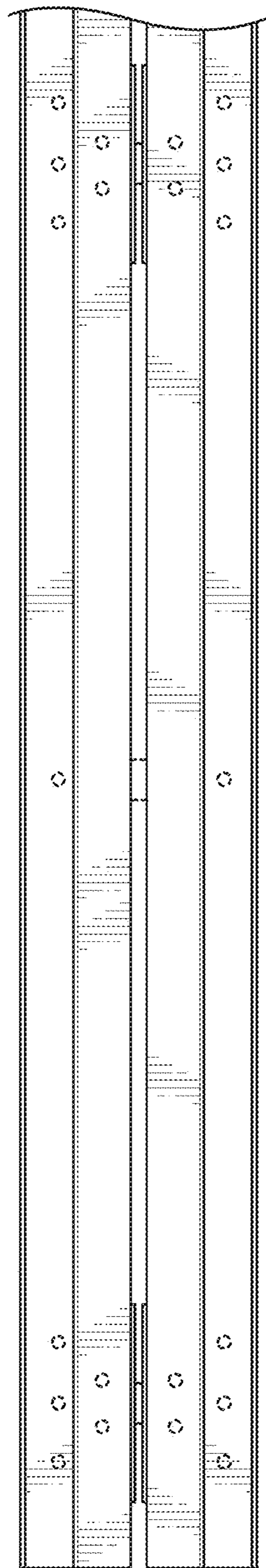


FIG. 3

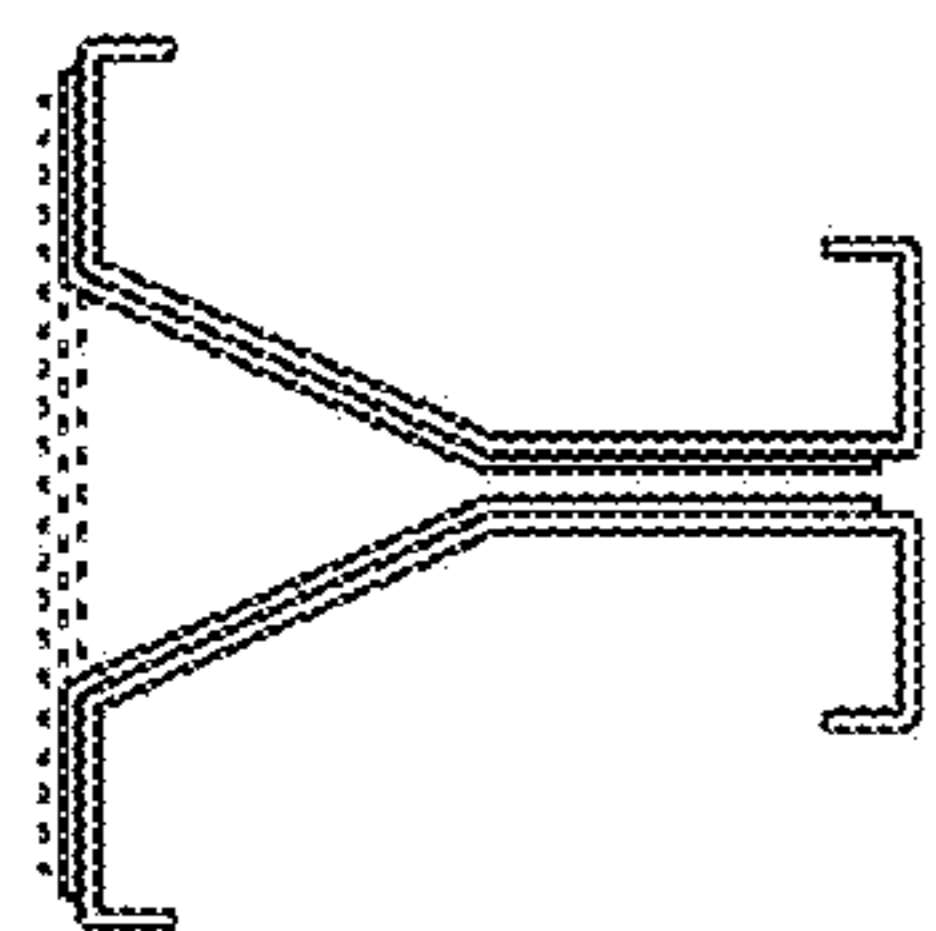


FIG. 4

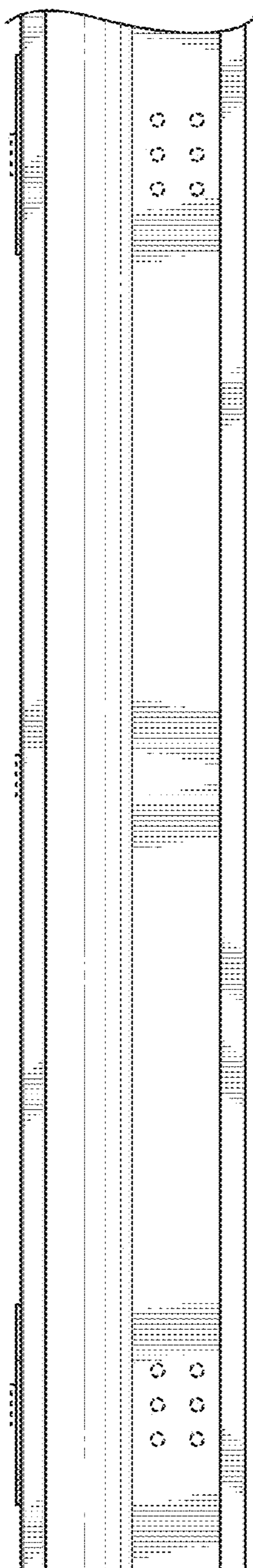


FIG. 5

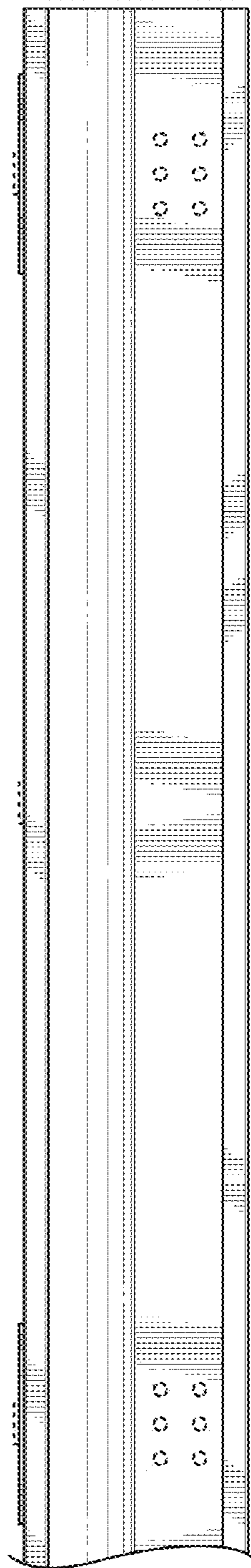


FIG. 6