



US00D684276S

(12) **United States Design Patent**  
**Hudson et al.**

(10) **Patent No.:** **US D684,276 S**  
(45) **Date of Patent:** **\*\* Jun. 11, 2013**

(54) **MODULAR DRIED MATRIX SPOTTING  
DEVICE**

(75) Inventors: **William C. Hudson**, Tustin, CA (US);  
**Robert Lee Grenz**, Santa Ana, CA (US);  
**Paul Boguszewski**, Northwood (GB)

(73) Assignee: **Agilent Technologies, Inc.**, Santa Clara,  
CA (US)

(\*\*) Term: **14 Years**

(21) Appl. No.: **29/414,532**

(22) Filed: **Feb. 29, 2012**

(51) **LOC (9) Cl.** ..... **24-01**

(52) **U.S. Cl.**  
USPC ..... **D24/226**

(58) **Field of Classification Search**  
USPC ..... D24/216–217, 219, 223–226, 227,  
D24/229–231, 232, 107, 121–123; D10/81;  
422/547–554, 556, 558, 559, 500  
See application file for complete search history.

(56) **References Cited**

**U.S. PATENT DOCUMENTS**

2,971,638	A *	2/1961	Allison et al.	206/532
3,802,220	A *	4/1974	Pompo	62/530
D239,548	S *	4/1976	Schiff	D24/225
D290,042	S *	5/1987	Ford	D24/225
D340,289	S *	10/1993	Gerber	D24/223
5,547,555	A *	8/1996	Schwartz et al.	422/68.1
D420,745	S *	2/2000	Cardy	D24/225

D464,734	S *	10/2002	Berna et al.	D24/216
D491,276	S *	6/2004	Langille	D24/225
D596,758	S *	7/2009	Constable	D24/230
7,985,387	B2 *	7/2011	Haywood et al.	422/549
2001/0039057	A1 *	11/2001	Douglas et al.	436/169
2012/0045792	A1 *	2/2012	Cohen et al.	435/287.7

\* cited by examiner

*Primary Examiner* — Anhdao Doan

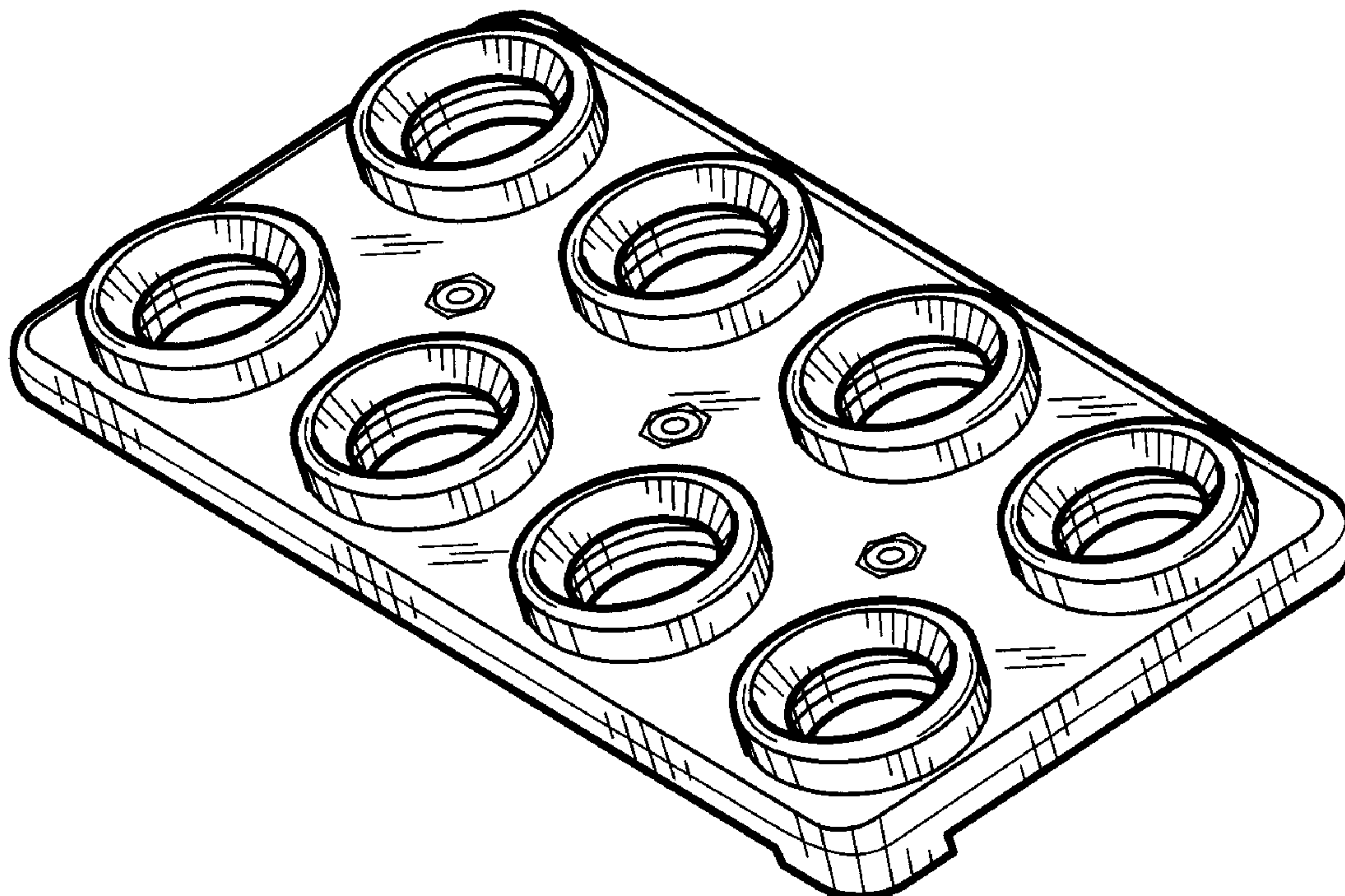
(57) **CLAIM**

The ornamental design for a modular dried matrix spotting device, as shown and described.

**DESCRIPTION**

FIG. 1 is a top view of a modular dried matrix spotting device showing our new design;  
FIG. 2 is a bottom view thereof;  
FIG. 3 is a front view thereof;  
FIG. 4 is a rear view thereof;  
FIG. 5 is a right side view thereof;  
FIG. 6 is a left side view thereof;  
FIG. 7 is a top perspective view thereof;  
FIG. 8 is a bottom perspective view thereof;  
FIG. 9 is a top perspective view of the upper plate thereof shown separately for clarity of the illustration;  
FIG. 10 is a bottom perspective view of the upper plate thereof shown separately for clarity of the illustration;  
FIG. 11 is a top perspective view of the lower plate thereof shown separately for clarity of the illustration; and,  
FIG. 12 is a bottom perspective view of the lower plate thereof shown separately for clarity of the illustration.

**1 Claim, 5 Drawing Sheets**



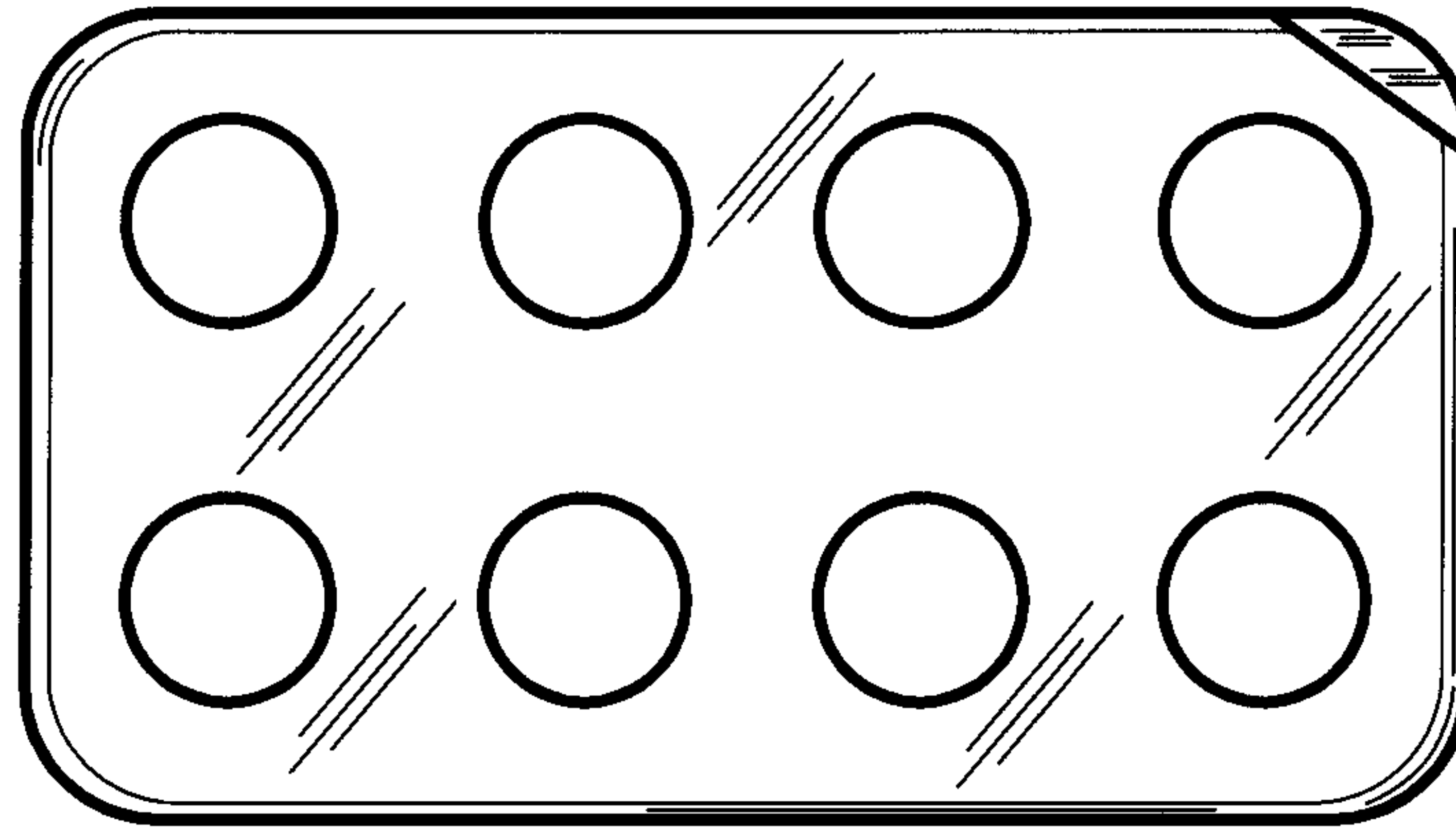


FIG. 1

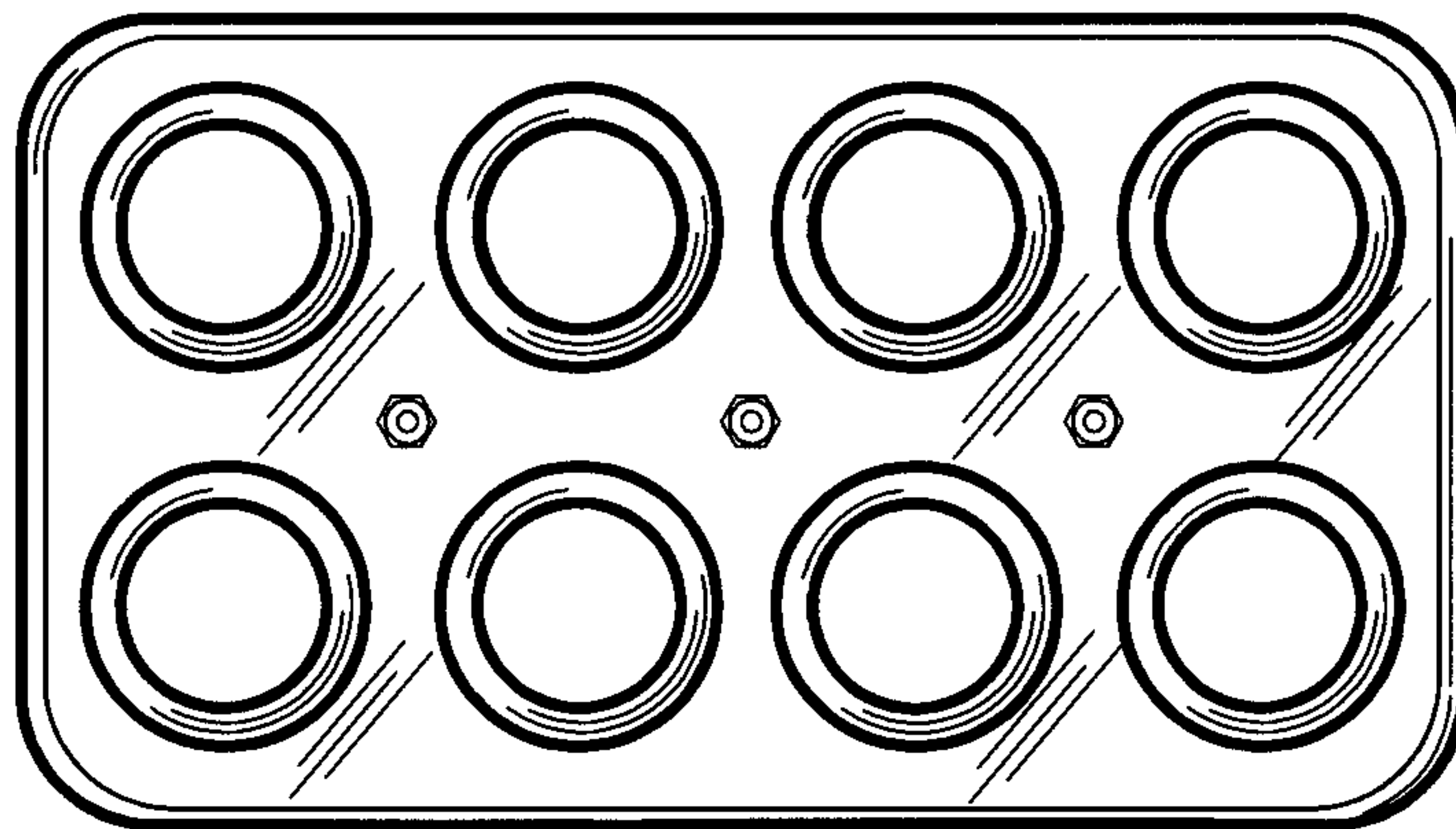


FIG. 2

FIG. 3

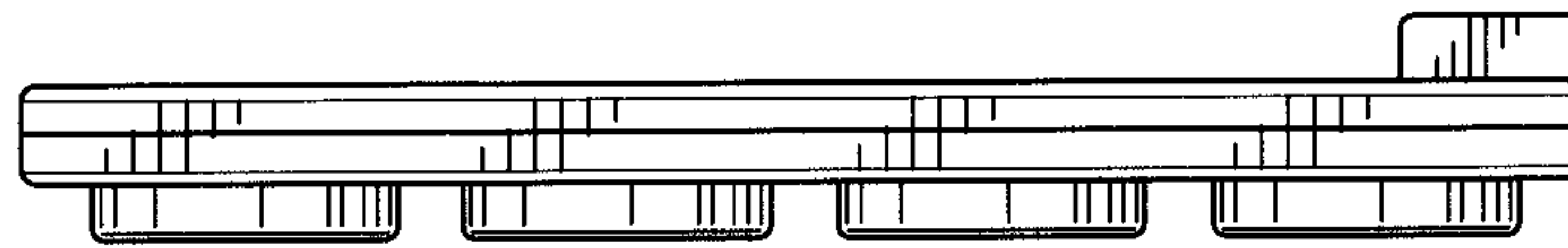


FIG. 4

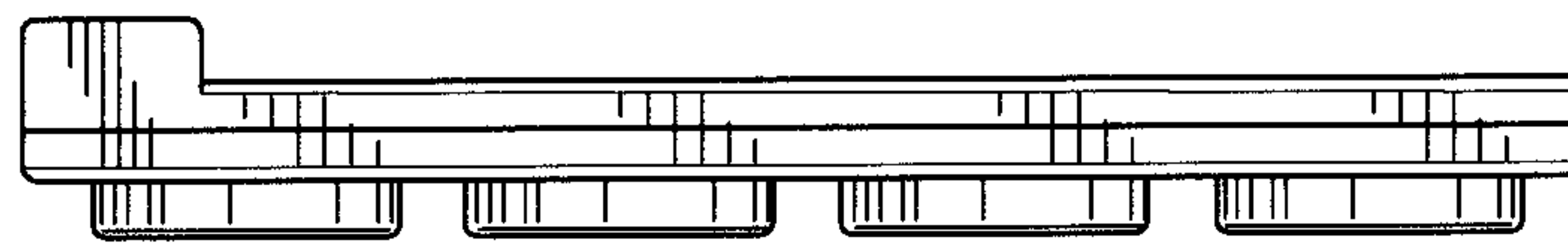


FIG. 5

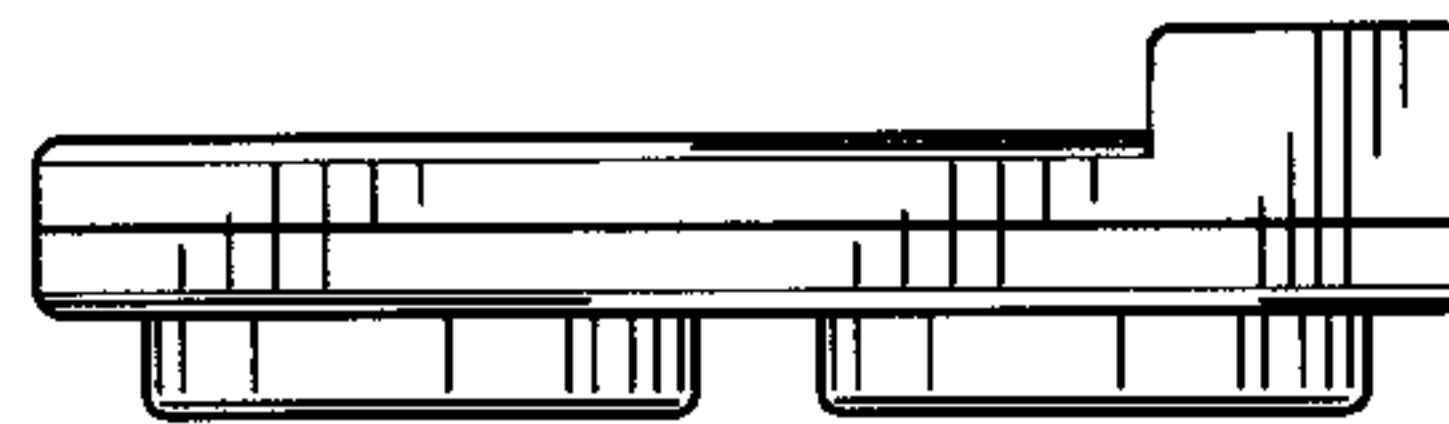


FIG. 6

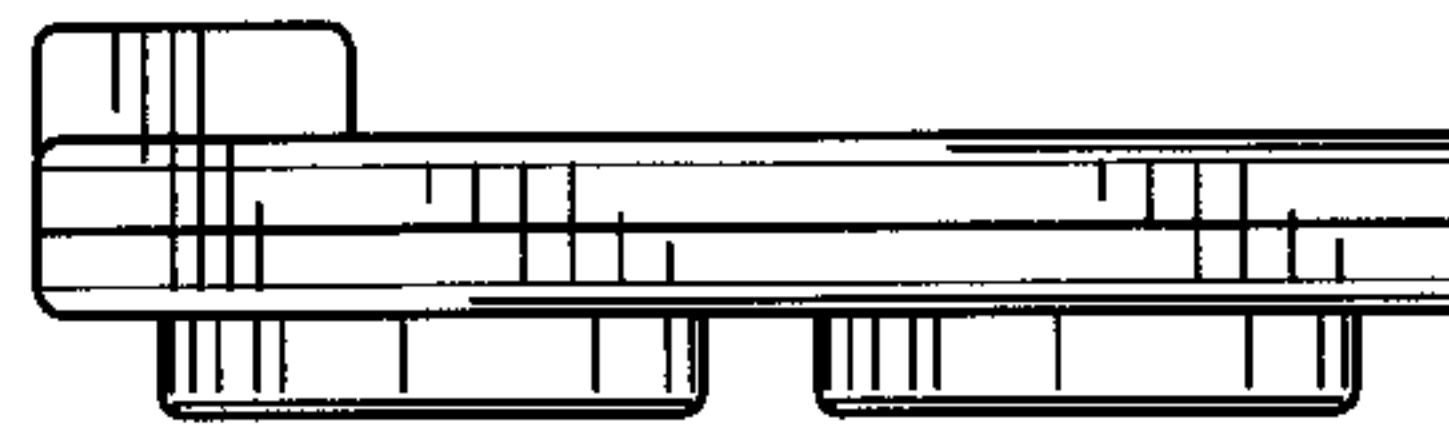


FIG. 7

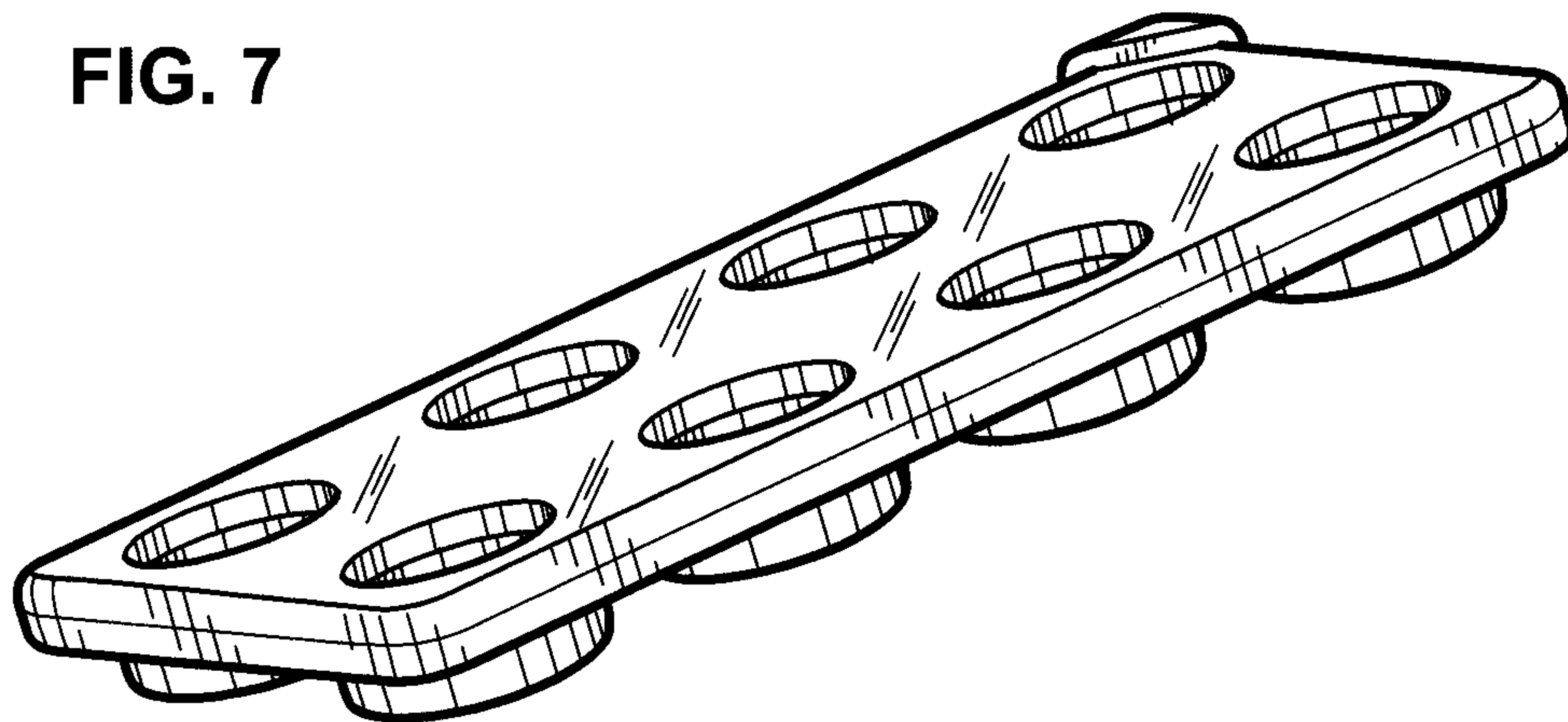
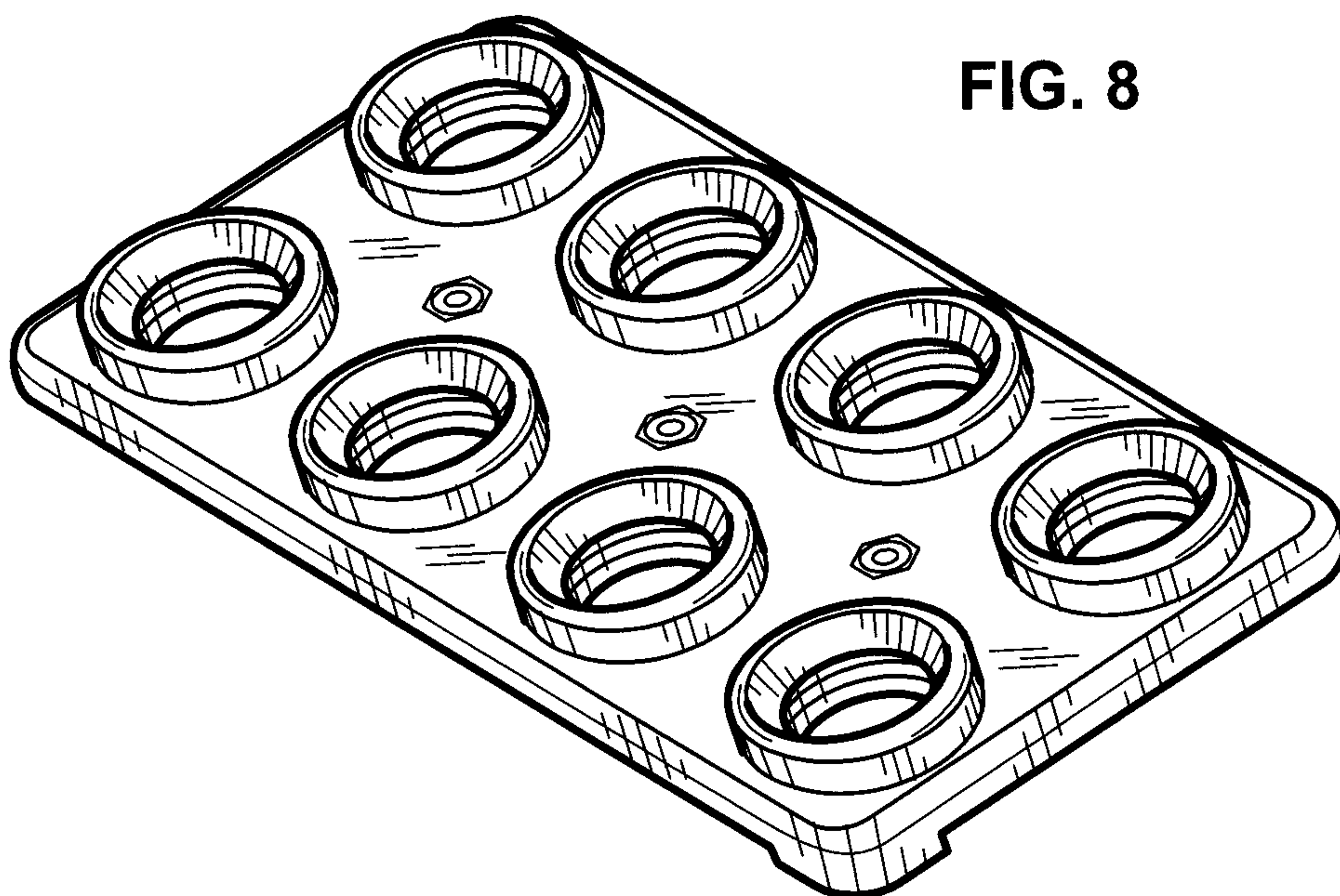
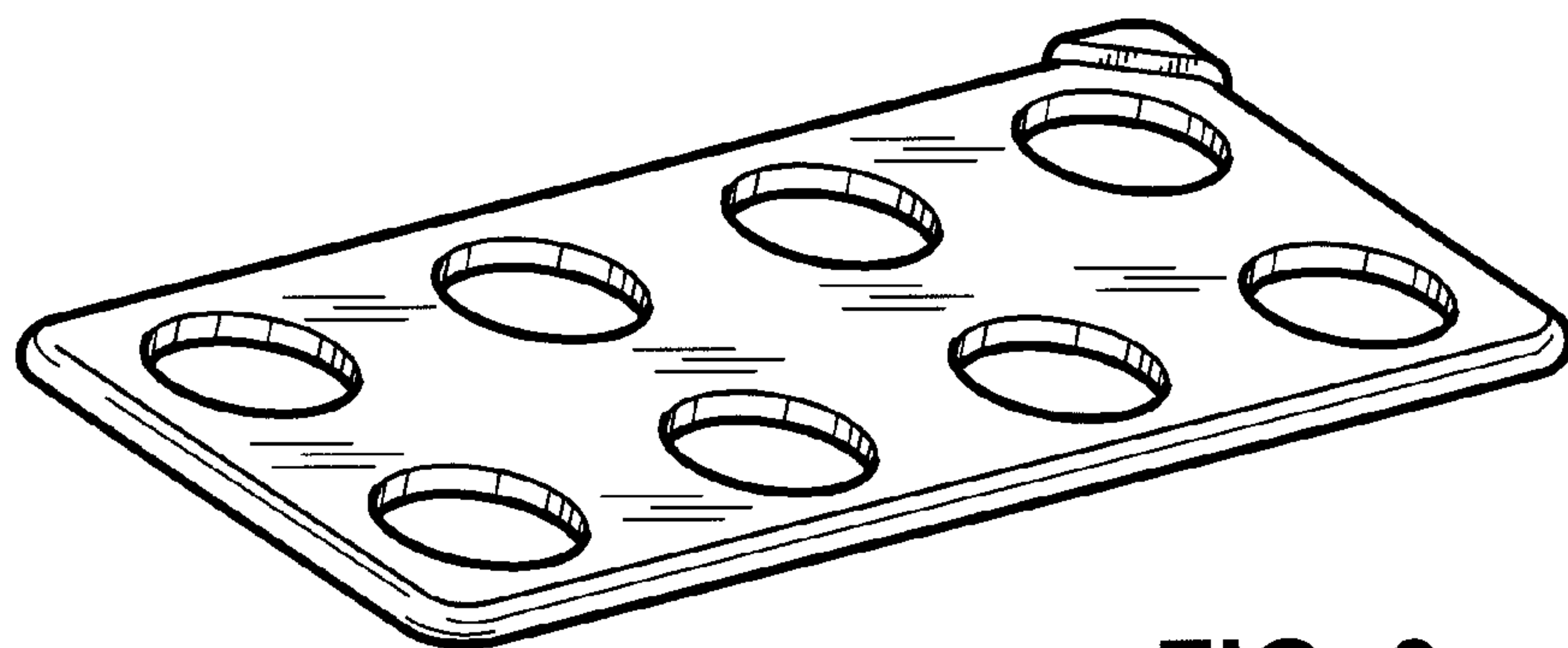


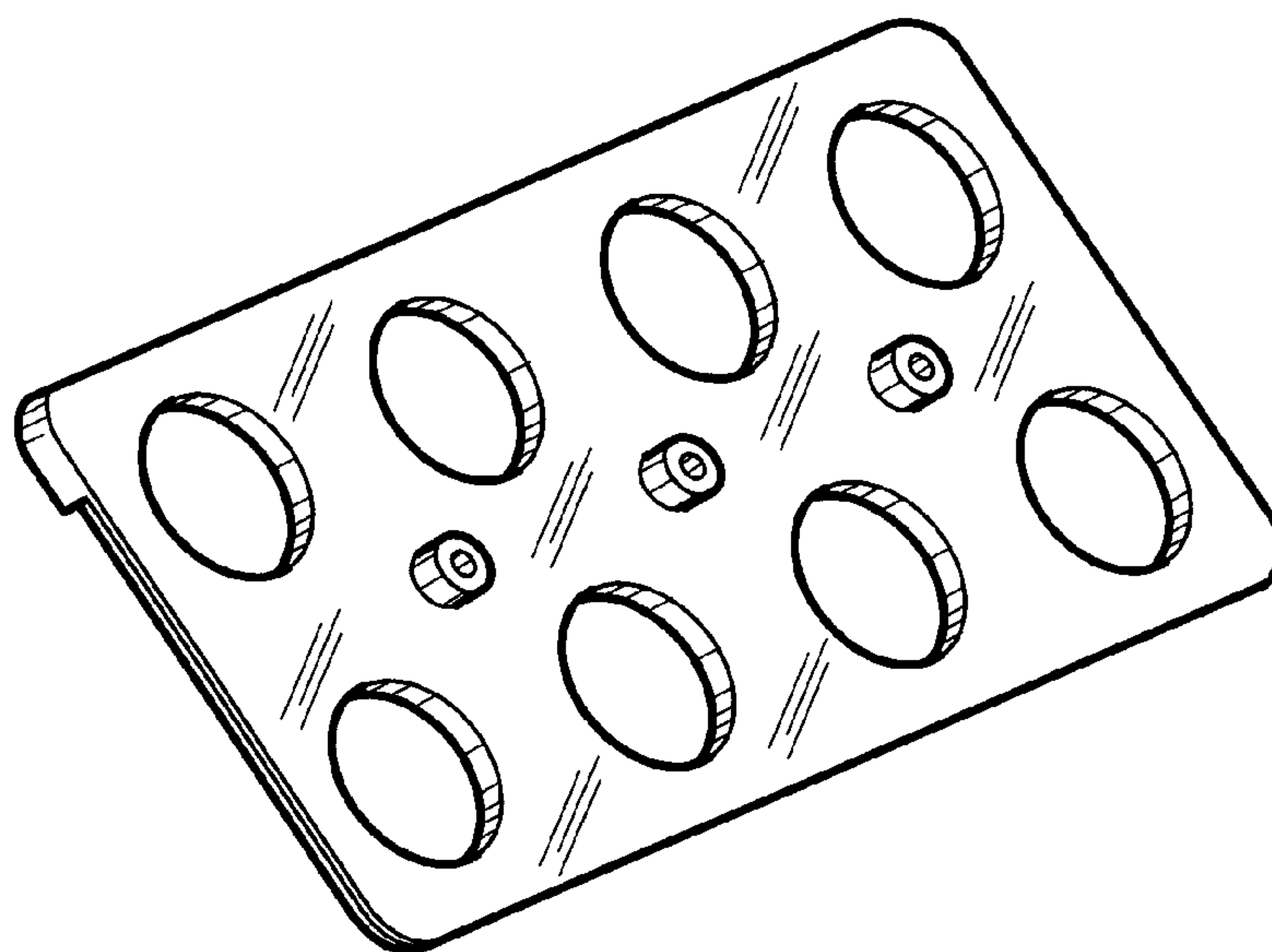
FIG. 8







**FIG. 9**



**Fig. 10**

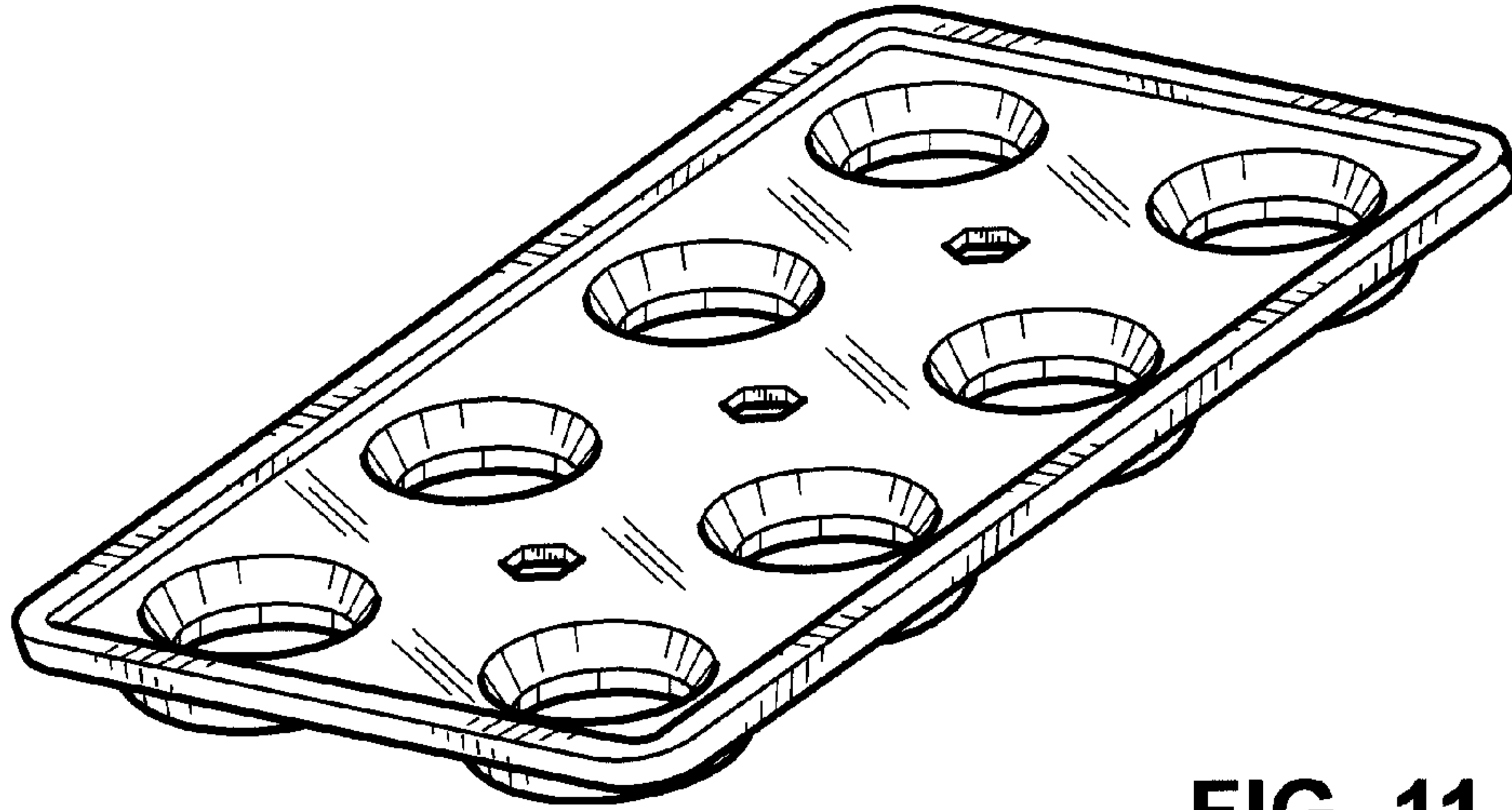


FIG. 11

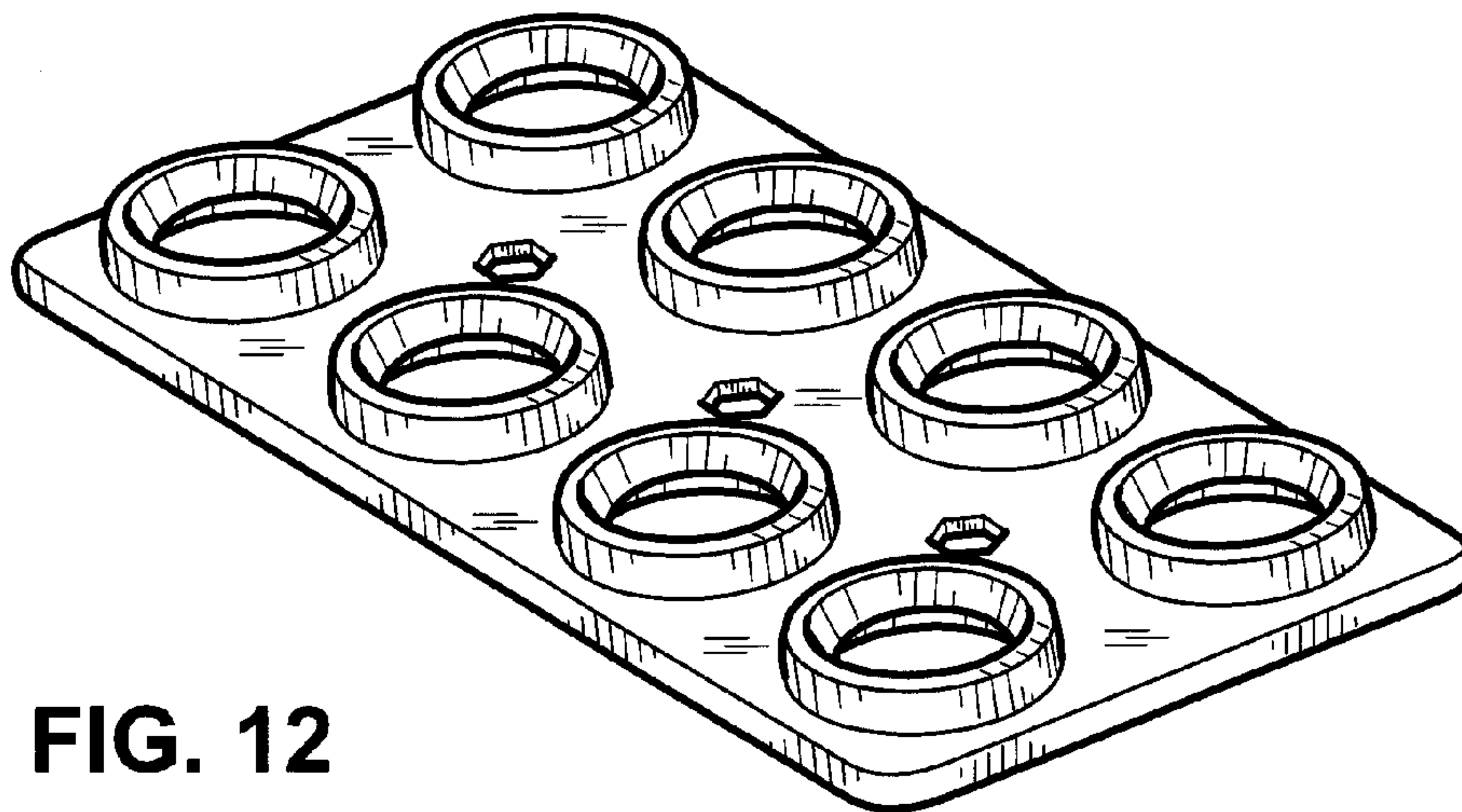


FIG. 12