



US00D684274S

(12) **United States Design Patent**
Hosoya et al.

(10) **Patent No.:** **US D684,274 S**
(45) **Date of Patent:** **** Jun. 11, 2013**

(54) **SAMPLE HOLDER FOR AN ELECTRON MICROSCOPE**

(75) Inventors: **Kotaro Hosoya**, Hitachinaka (JP);
Yoshihiro Takahoko, Hitachinaka (JP)

(73) Assignee: **Hitachi High-Technologies Corporation**, Tokyo (JP)

(**) Term: **14 Years**

(21) Appl. No.: **29/411,276**

(22) Filed: **Jan. 19, 2012**

(30) **Foreign Application Priority Data**

Sep. 30, 2011 (JP) 2011-022529

(51) **LOC (9) Cl.** **24-01**

(52) **U.S. Cl.**
USPC **D24/224**

(58) **Field of Classification Search**
USPC D24/216–217, 219, 223–226, 227,
D24/229–231, 232, 107, 121–123; D10/81;
422/547–554, 556, 558, 559, 500, 560, 561;
359/391, 398

See application file for complete search history.

(56) **References Cited**

U.S. PATENT DOCUMENTS

| | | | | | | |
|-----------|---|---|---------|----------------|-------|---------|
| D249,708 | S | * | 9/1978 | Smith et al. | | D24/224 |
| D290,042 | S | * | 5/1987 | Ford | | D24/225 |
| 4,981,345 | A | * | 1/1991 | Berry et al. | | 359/391 |
| D333,187 | S | * | 2/1993 | Omi | | D24/225 |
| D431,300 | S | * | 9/2000 | Fisch | | D24/225 |
| D628,709 | S | * | 12/2010 | Burdett et al. | | D24/216 |

* cited by examiner

Primary Examiner — Anhdao Doan

(74) *Attorney, Agent, or Firm* — Antonelli, Terry, Stout & Kraus, LLP.

(57) **CLAIM**

The ornamental design for a sample holder for an electron microscope, as shown and described.

DESCRIPTION

FIG. 1 is a front, top and right side perspective view of a sample holder for an electron microscope showing our new design;

FIG. 2 is a front elevational view thereof;

FIG. 3 is a rear elevational view thereof;

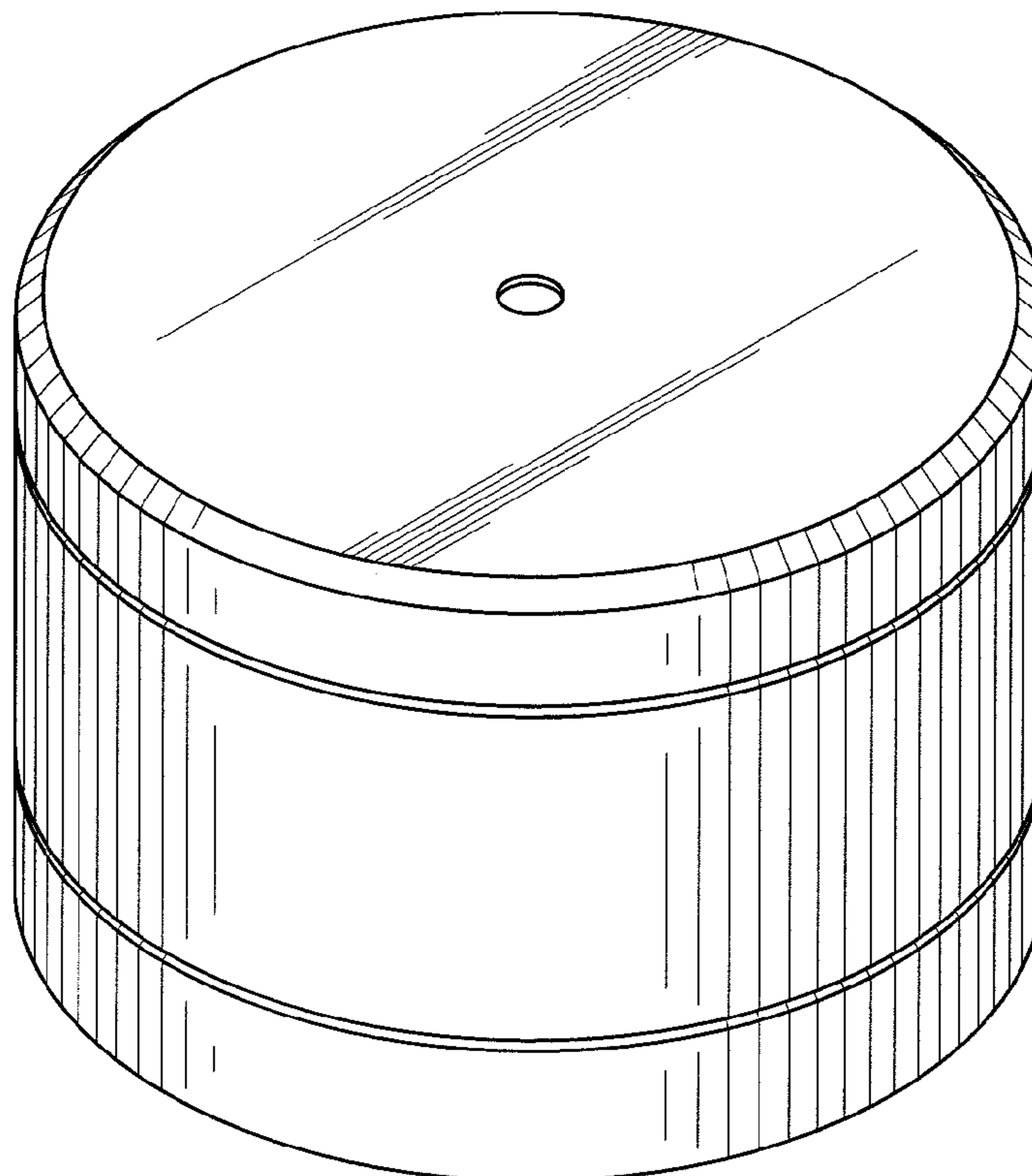
FIG. 4 is a left side elevational view thereof;

FIG. 5 is a right side elevational view thereof;

FIG. 6 is a top plan view thereof; and,

FIG. 7 is a bottom plan view thereof.

1 Claim, 4 Drawing Sheets



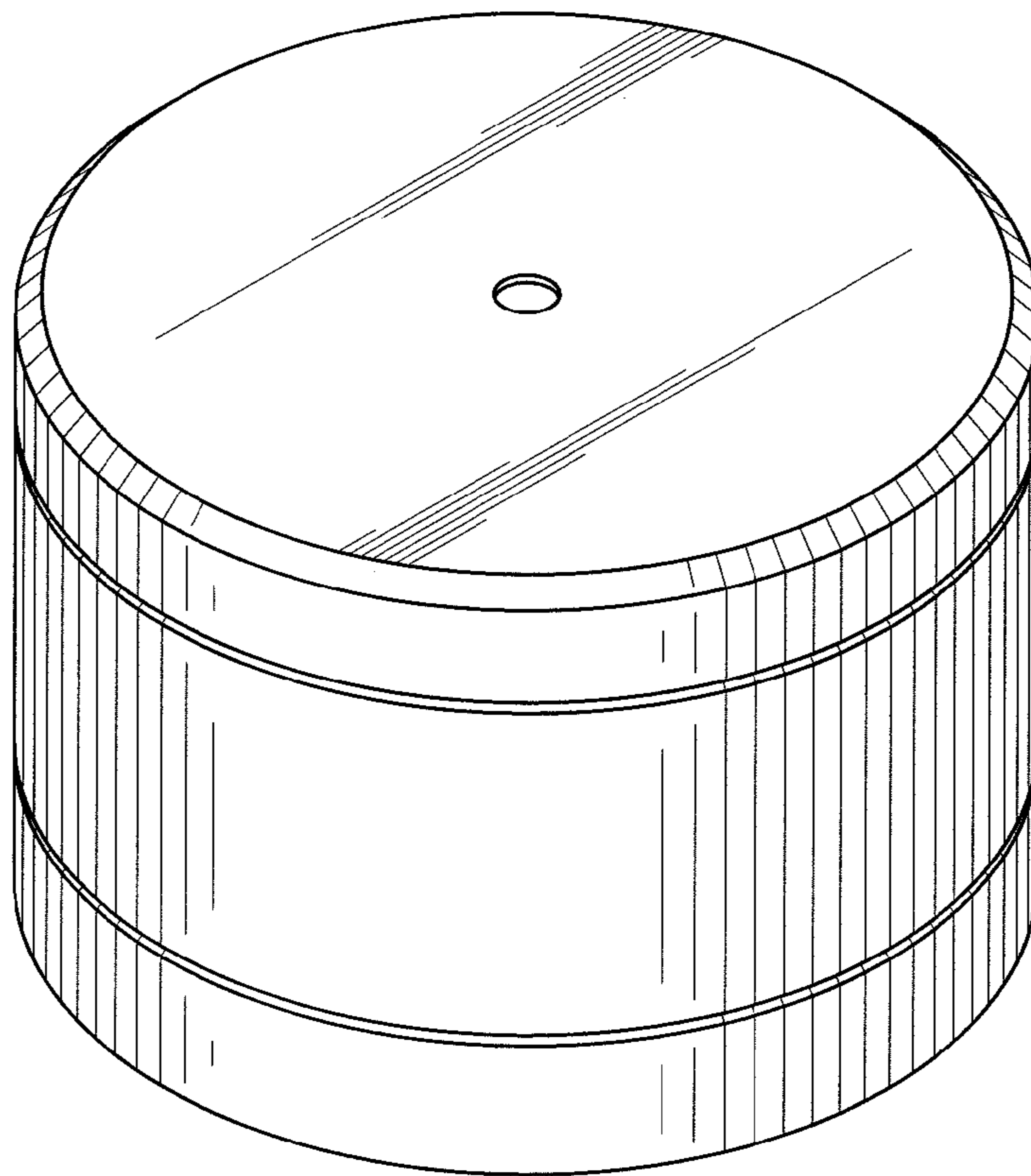


FIG. 1

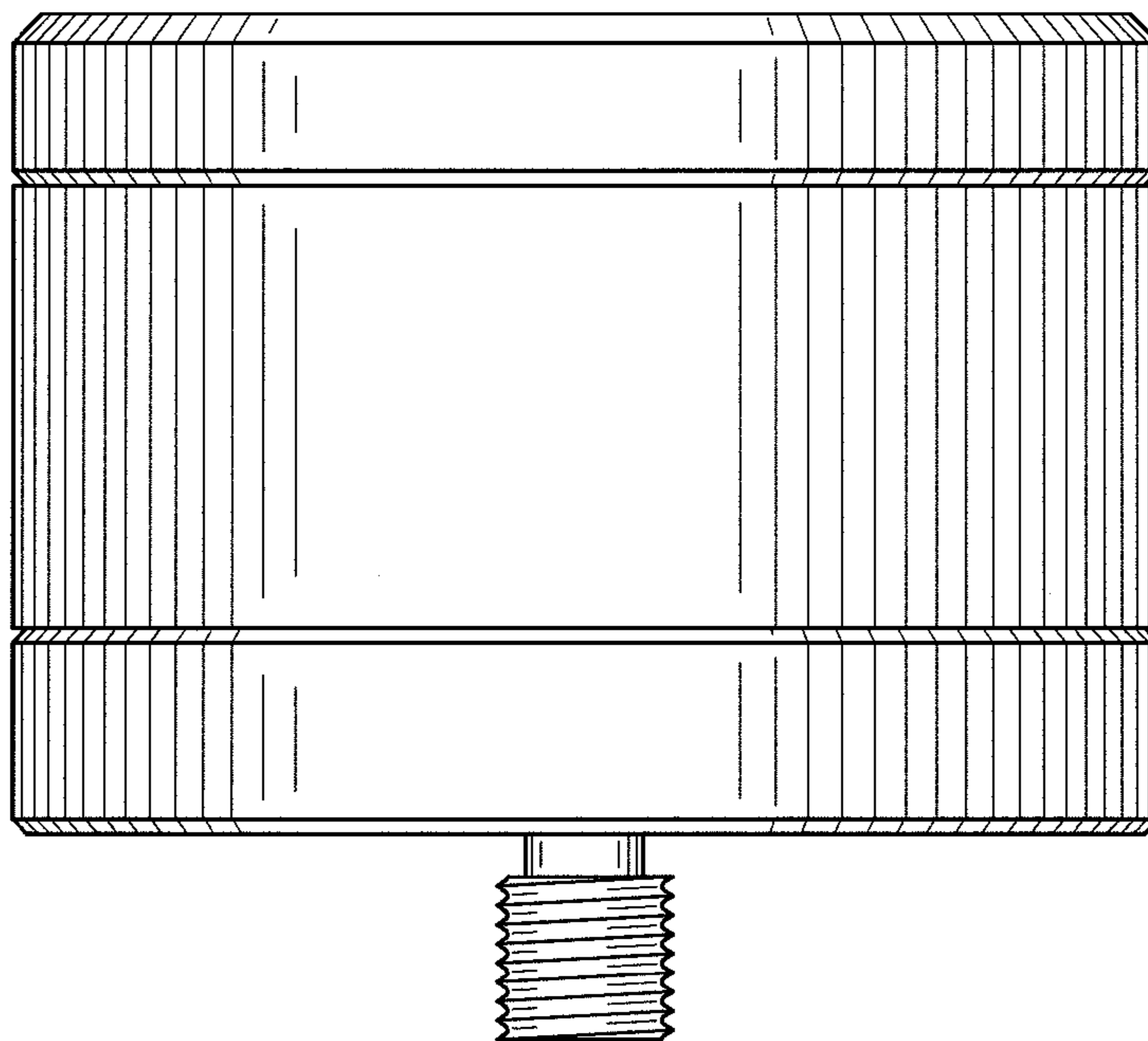


FIG. 2

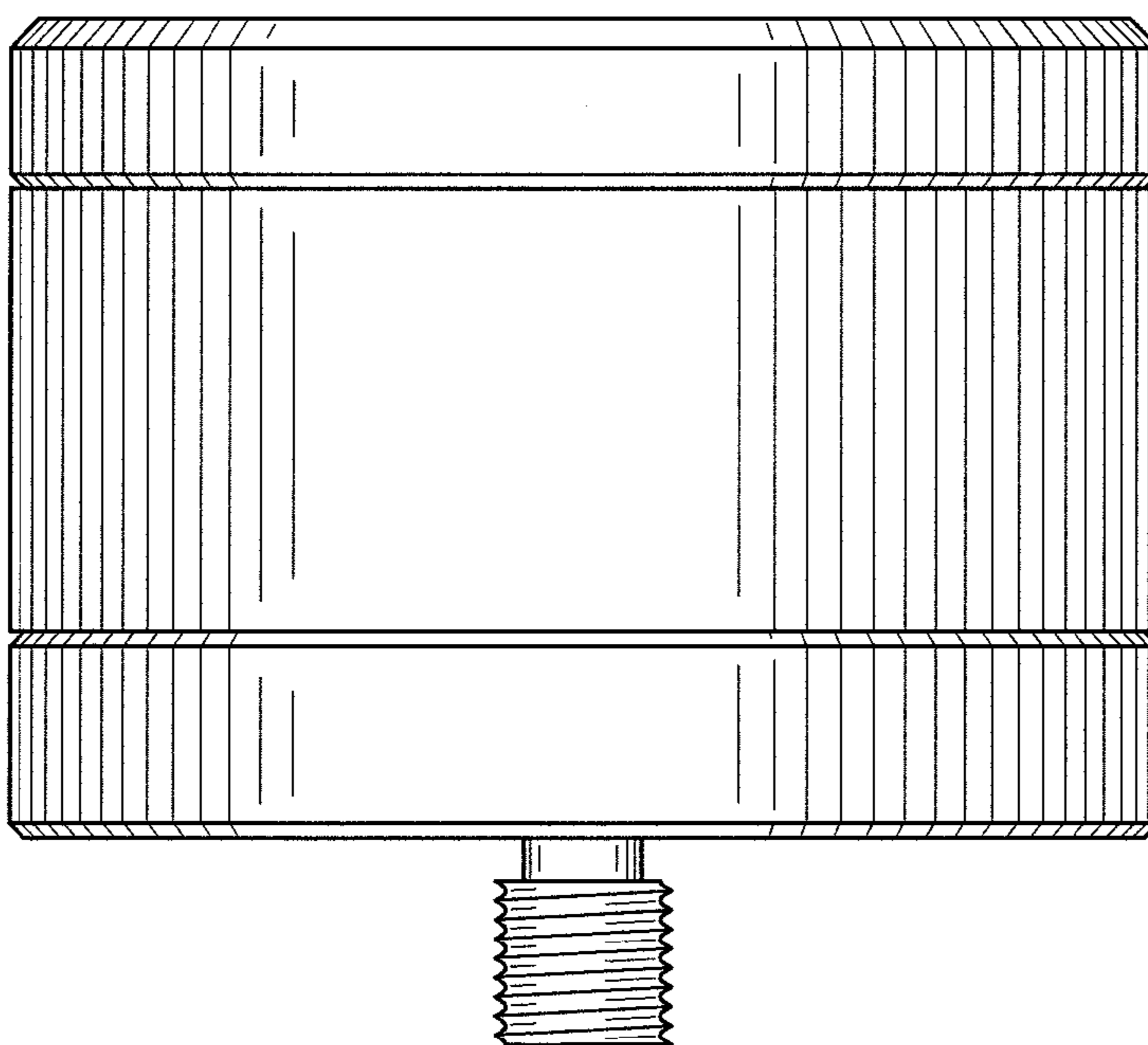


FIG. 3

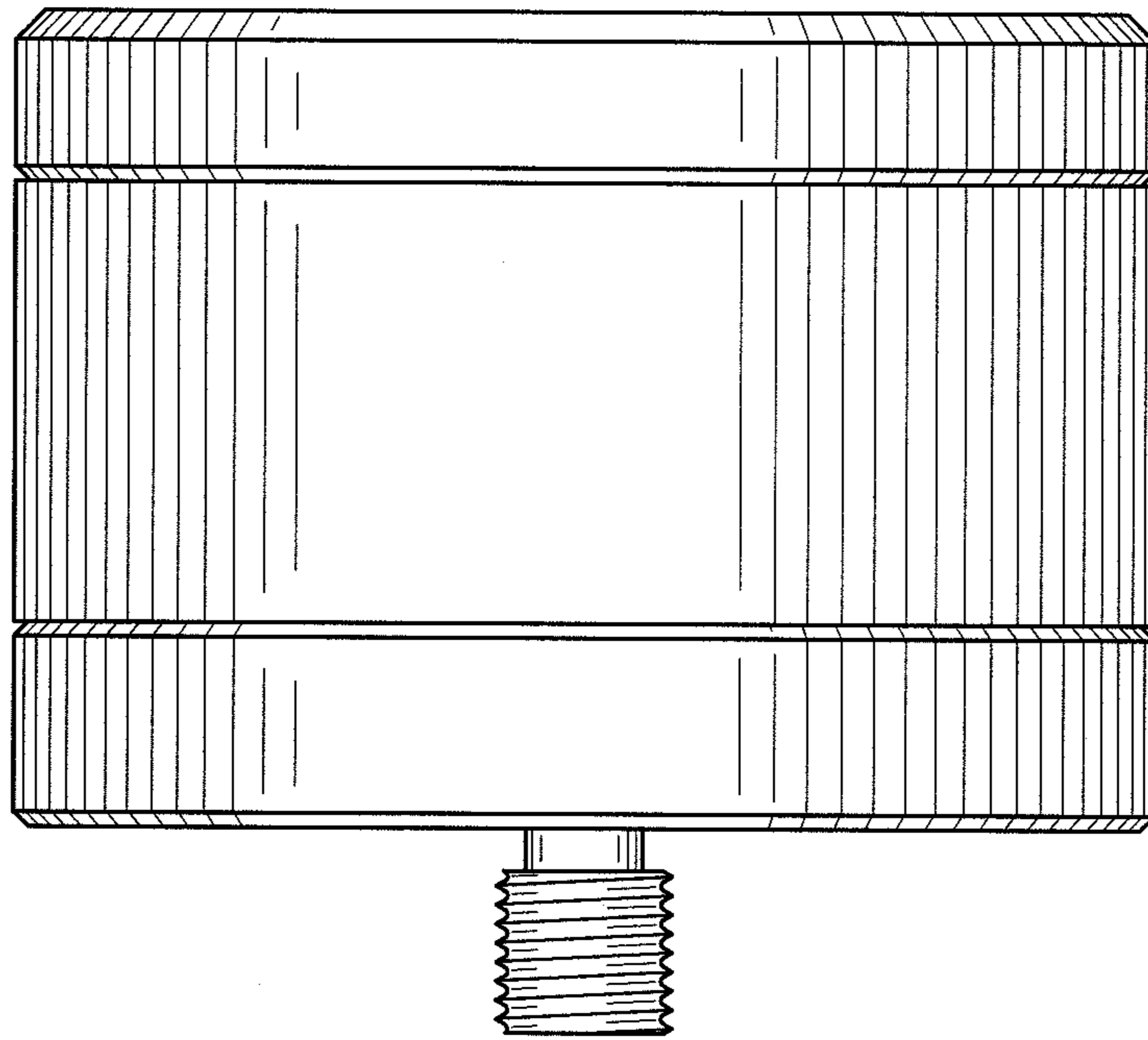


FIG. 4

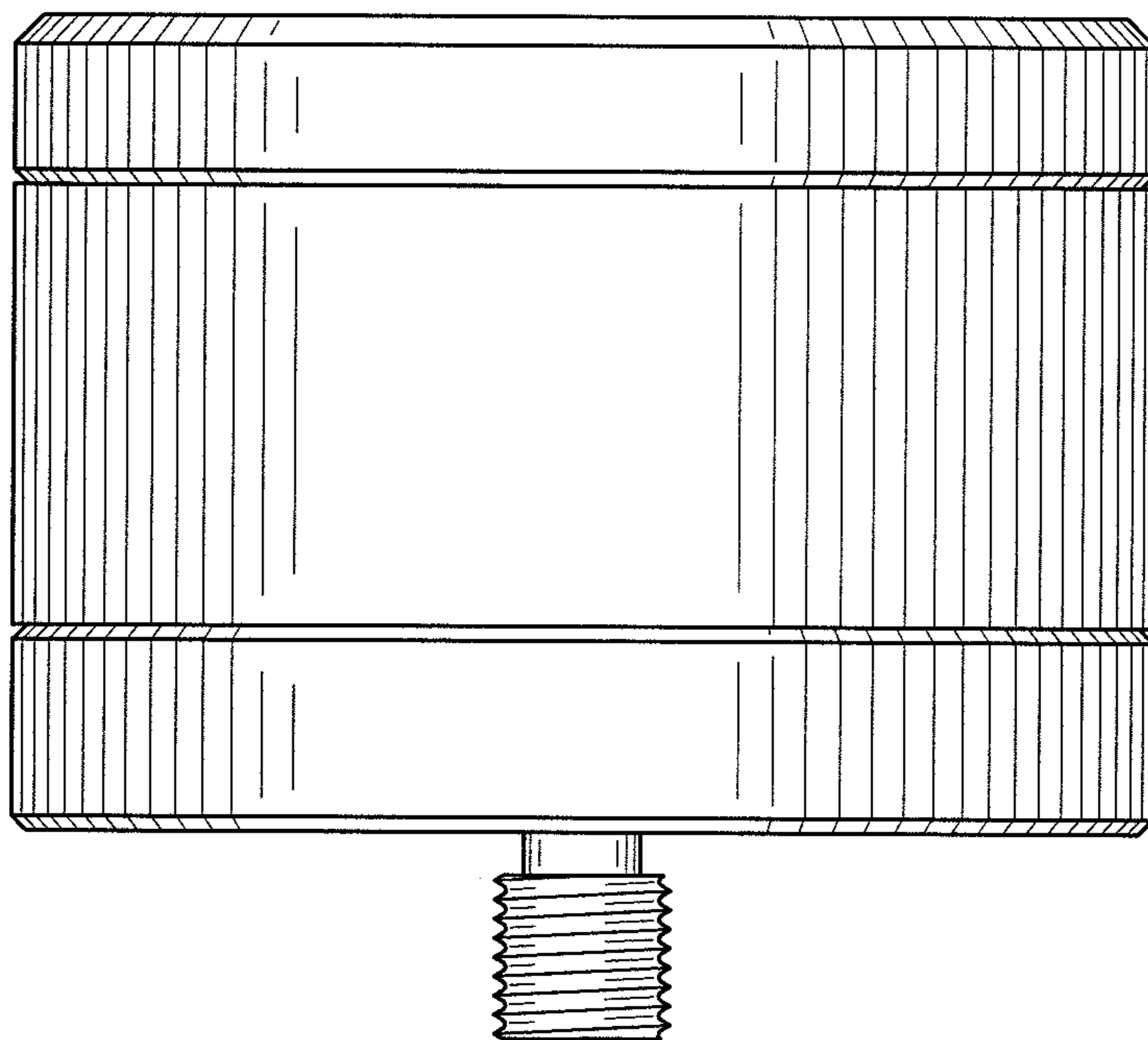


FIG. 5

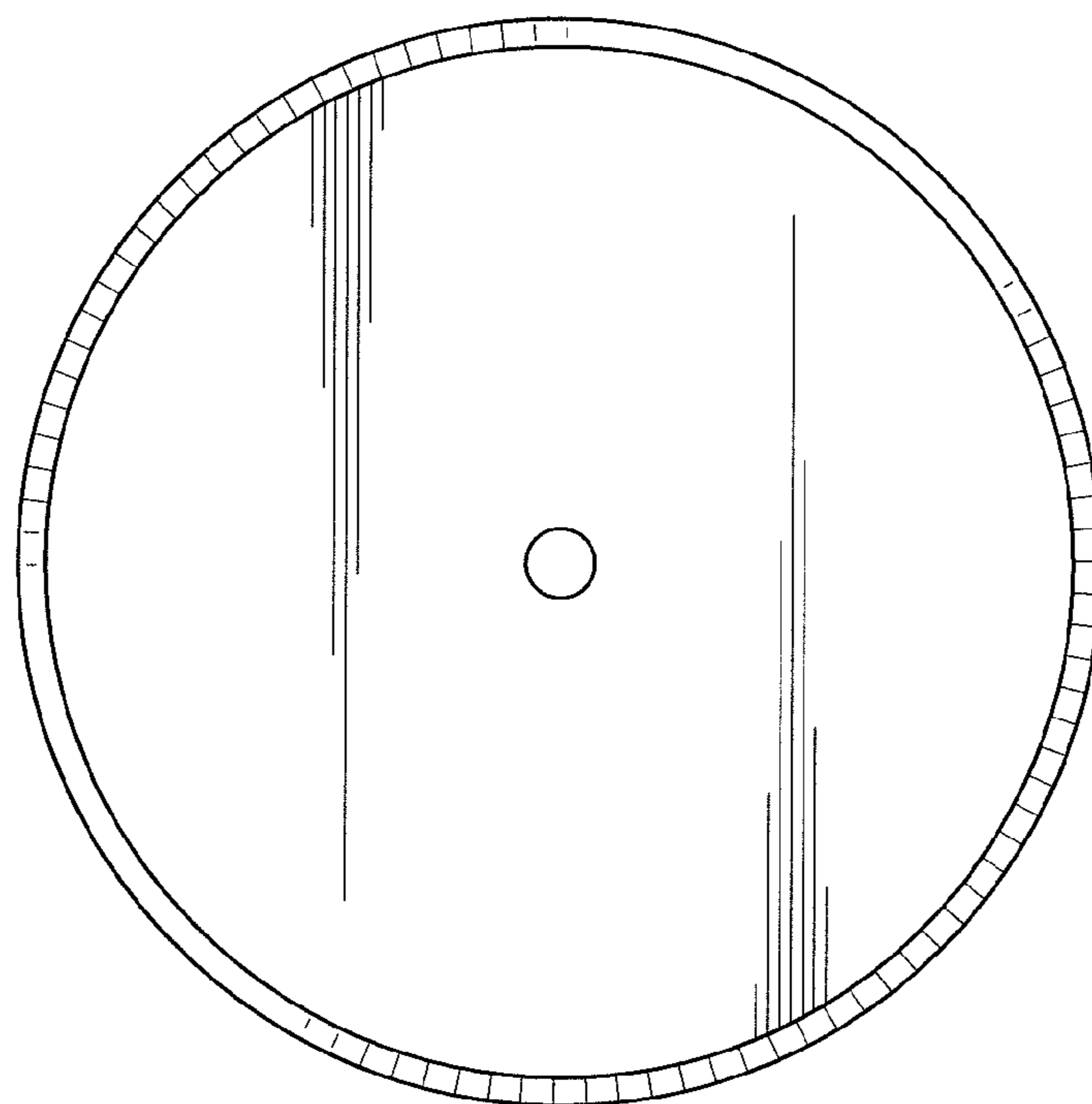


FIG. 6

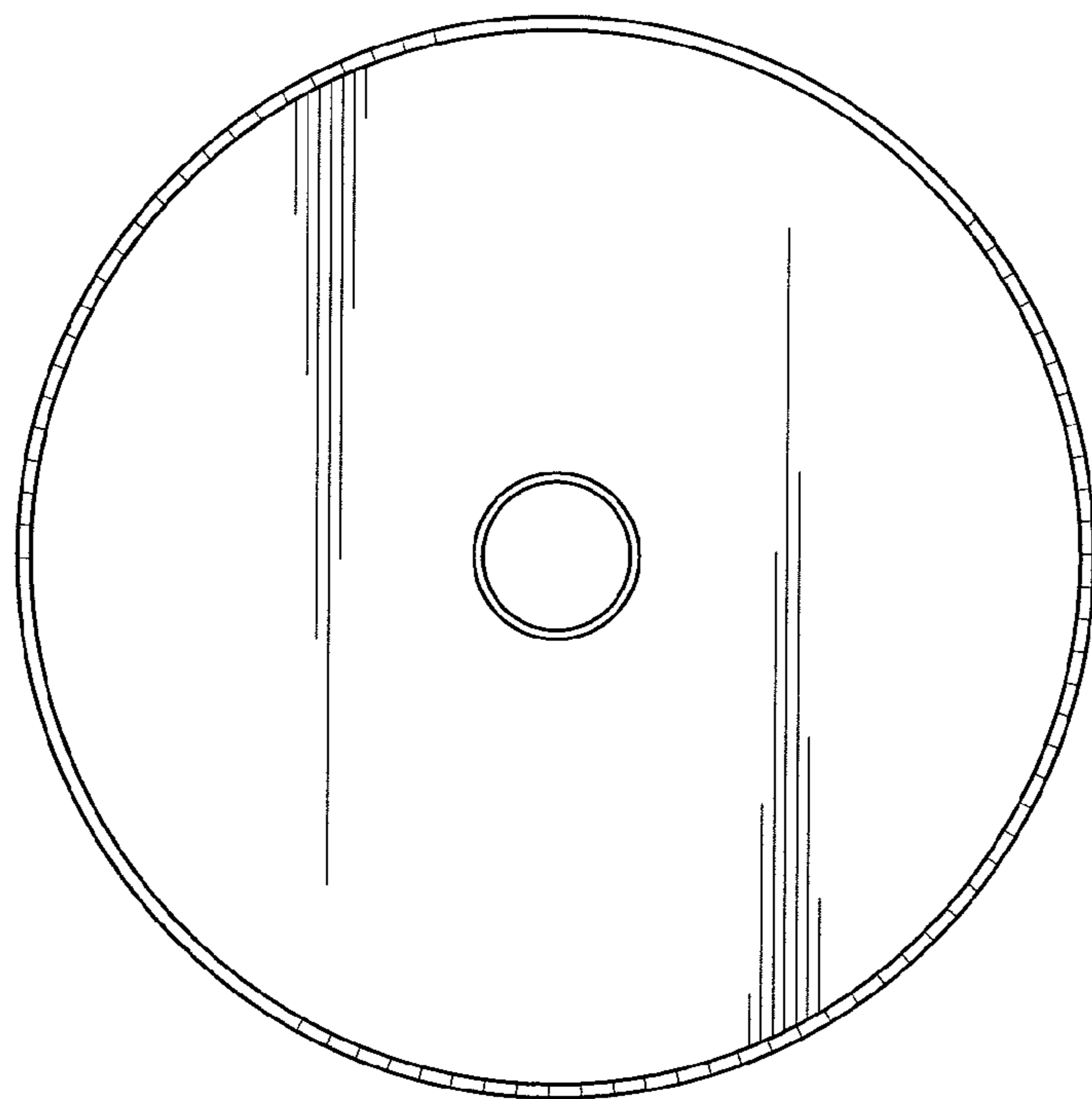


FIG. 7