



US00D684273S

(12) **United States Design Patent**
Tajima

(10) **Patent No.:** **US D684,273 S**

(45) **Date of Patent:** **** Jun. 11, 2013**

(54) **REACTION VESSEL FOR AMPLIFYING NUCLEIC ACID**

(75) Inventor: **Hideji Tajima**, Matsudo (JP)

(73) Assignee: **Universal Bio Research Co., Ltd.**,
Matusudo-Shi, Chiba (JP)

(**) Term: **14 Years**

(21) Appl. No.: **29/399,847**

(22) Filed: **Aug. 19, 2011**

(30) **Foreign Application Priority Data**

Feb. 22, 2011 (JP) 2011-003688

(51) **LOC (9) Cl.** **24-01**

(52) **U.S. Cl.**

USPC **D24/224**

(58) **Field of Classification Search**

USPC D24/216–217, 219, 223–226, 227,
D24/229–231, 232, 107, 121–123; D10/81;
422/500, 547, 554, 556; 435/288.1, 304.1,
435/304.3; D9/500, 516, 519–521, 545, 549,
D9/558

See application file for complete search history.

(56) **References Cited**

U.S. PATENT DOCUMENTS

D247,578	S	*	3/1978	Sponseller	D24/224
D286,072	S	*	10/1986	Miller	D24/224
D287,639	S	*	1/1987	Moore et al.	D24/224
D301,117	S	*	5/1989	Baxter	D24/224
4,928,856	A	*	5/1990	White	222/174
5,164,318	A	*	11/1992	Sato et al.	435/286.4
D401,697	S	*	11/1998	Cloonan et al.	D24/224
6,319,475	B1	*	11/2001	Katoh et al.	422/551
6,758,244	B2	*	7/2004	Workman et al.	138/89
D511,214	S	*	11/2005	Sasano et al.	D24/224
2006/0121612	A1	*	6/2006	Tajima et al.	435/459
2010/0137165	A1	*	6/2010	Tajima	506/32

* cited by examiner

Primary Examiner — Anhdao Doan

(74) *Attorney, Agent, or Firm* — Haynes and Boone, LLP

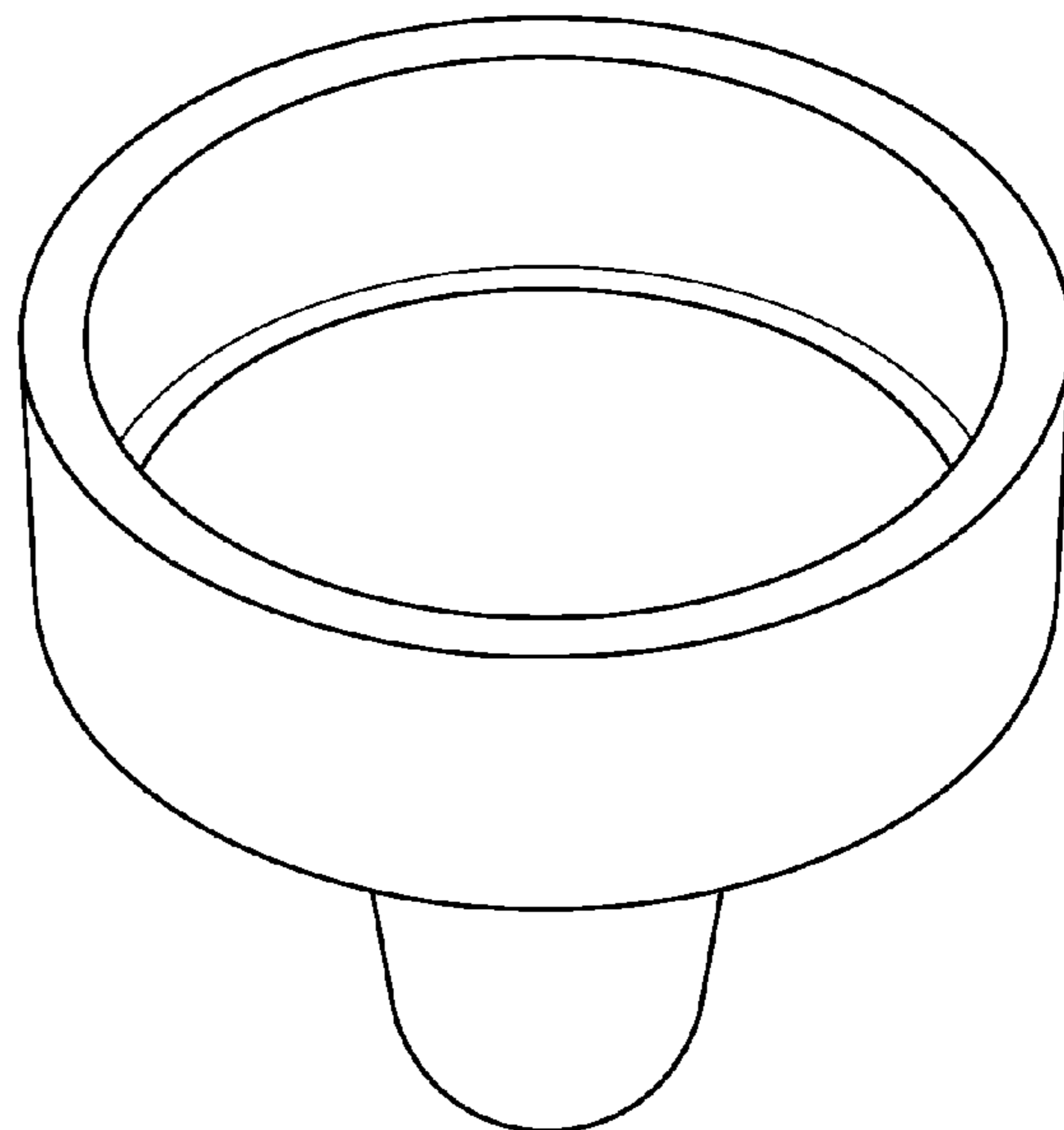
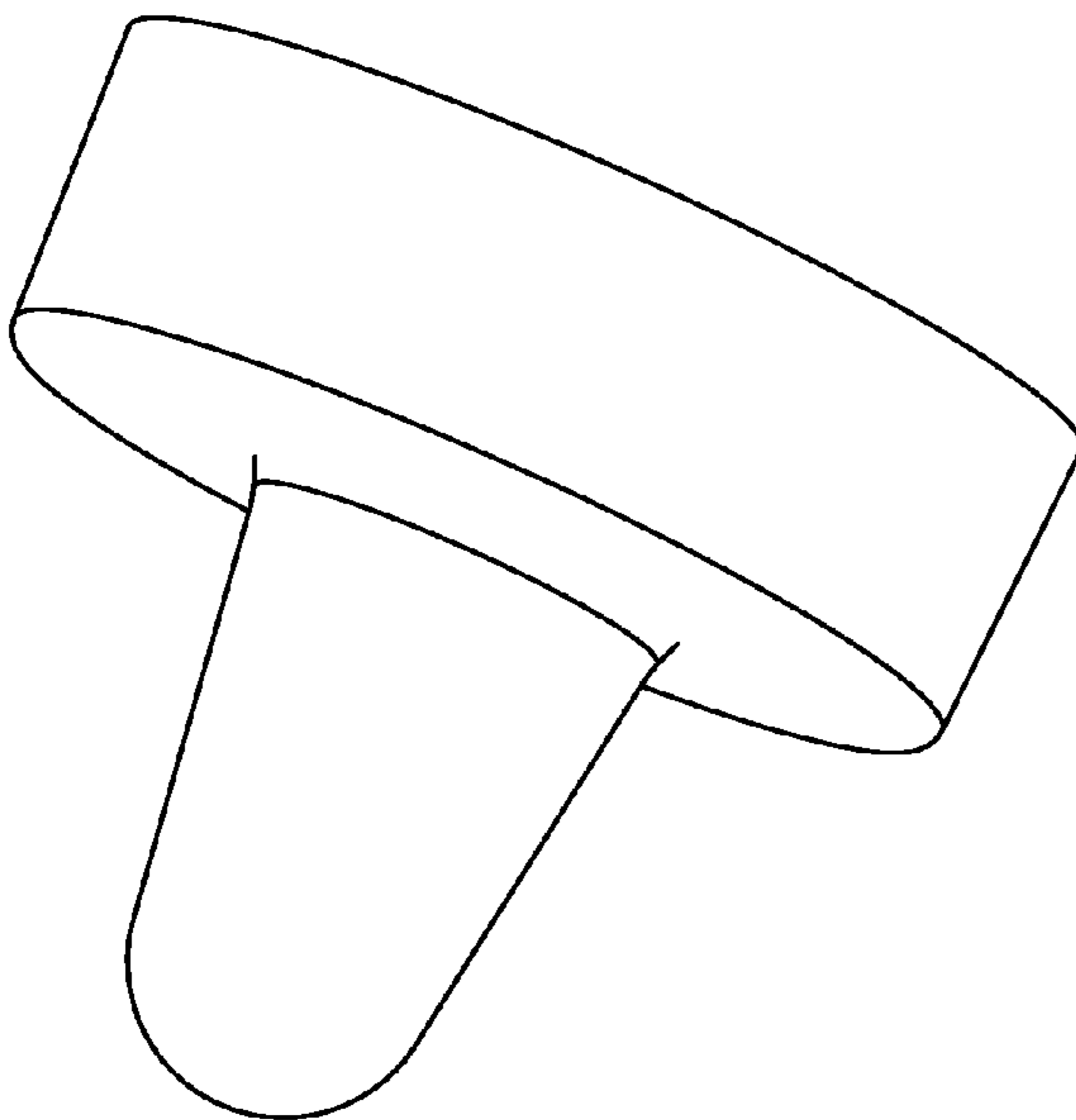
(57) **CLAIM**

The ornamental design for a reaction vessel for amplifying nucleic acid, as shown and described.

DESCRIPTION

FIG. 1 is a perspective view of the reaction vessel for amplifying nucleic acid showing my new design;
FIG. 2 is another perspective view thereof;
FIG. 3 is a front elevational view thereof, the right side, left side, and rear elevational views thereof being the same;
FIG. 4 is a top plan view thereof;
FIG. 5 is a bottom plan view thereof; and,
FIG. 6 is a sectional view thereof.

1 Claim, 3 Drawing Sheets



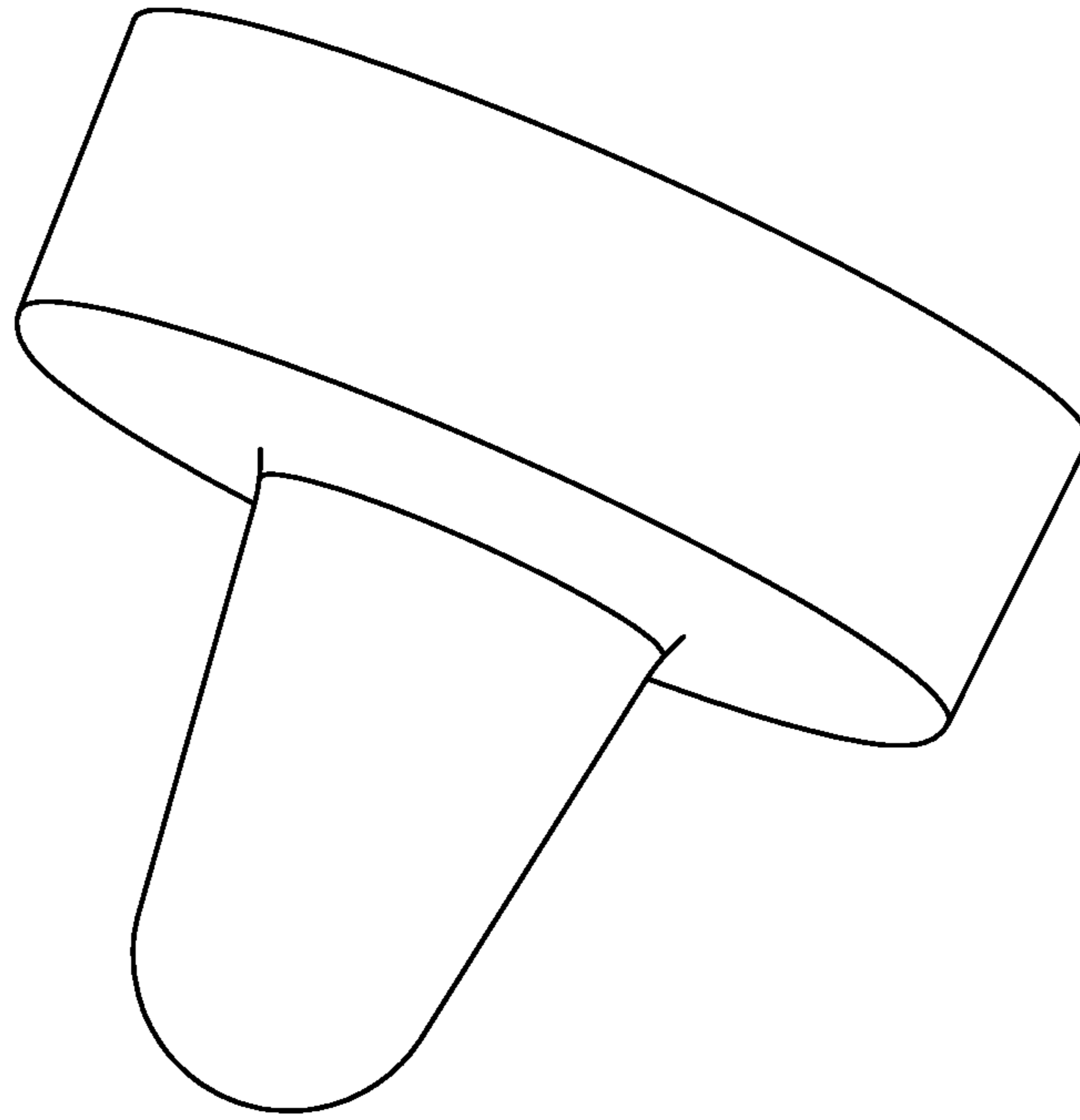


Fig. 1

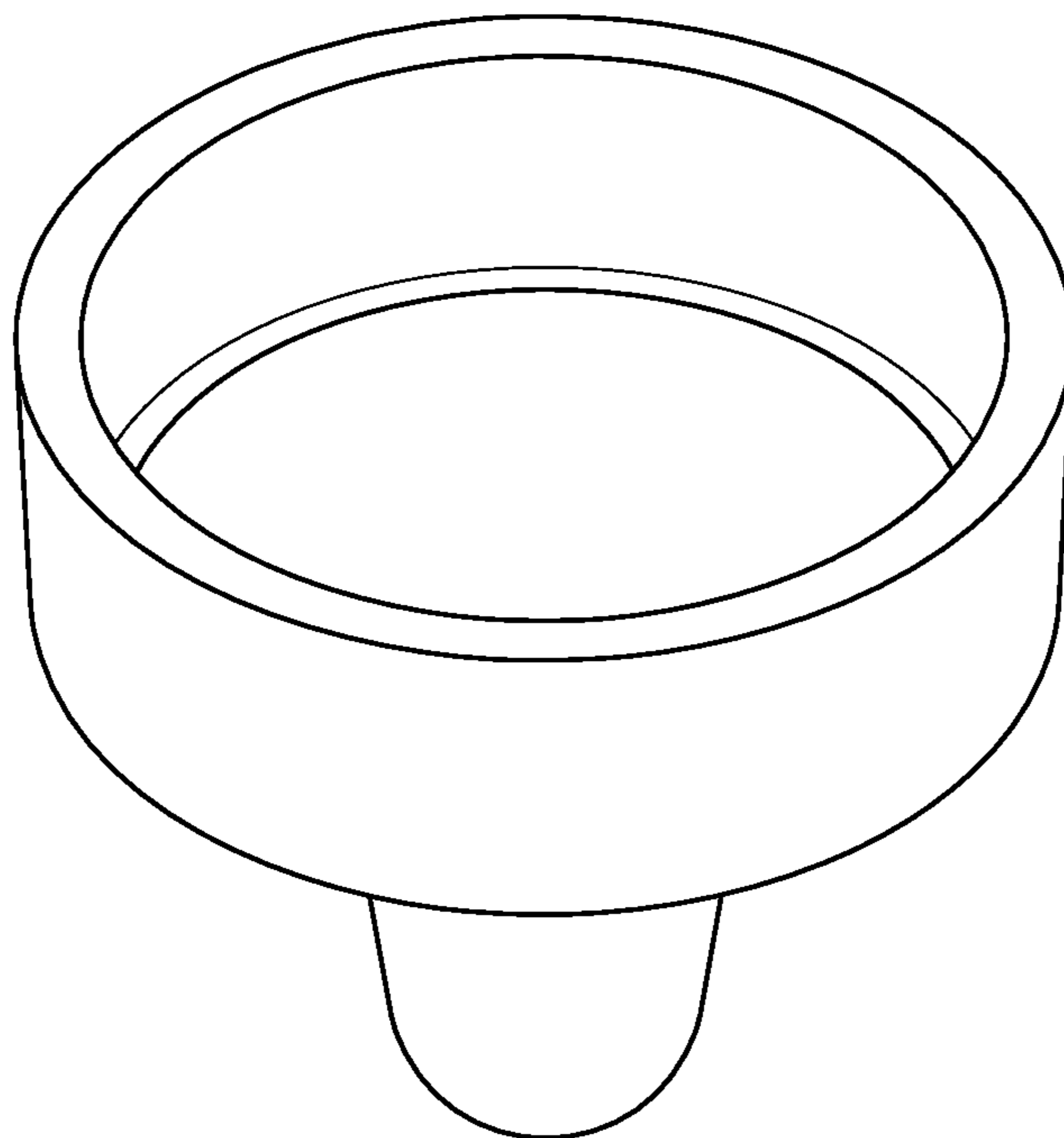


Fig. 2

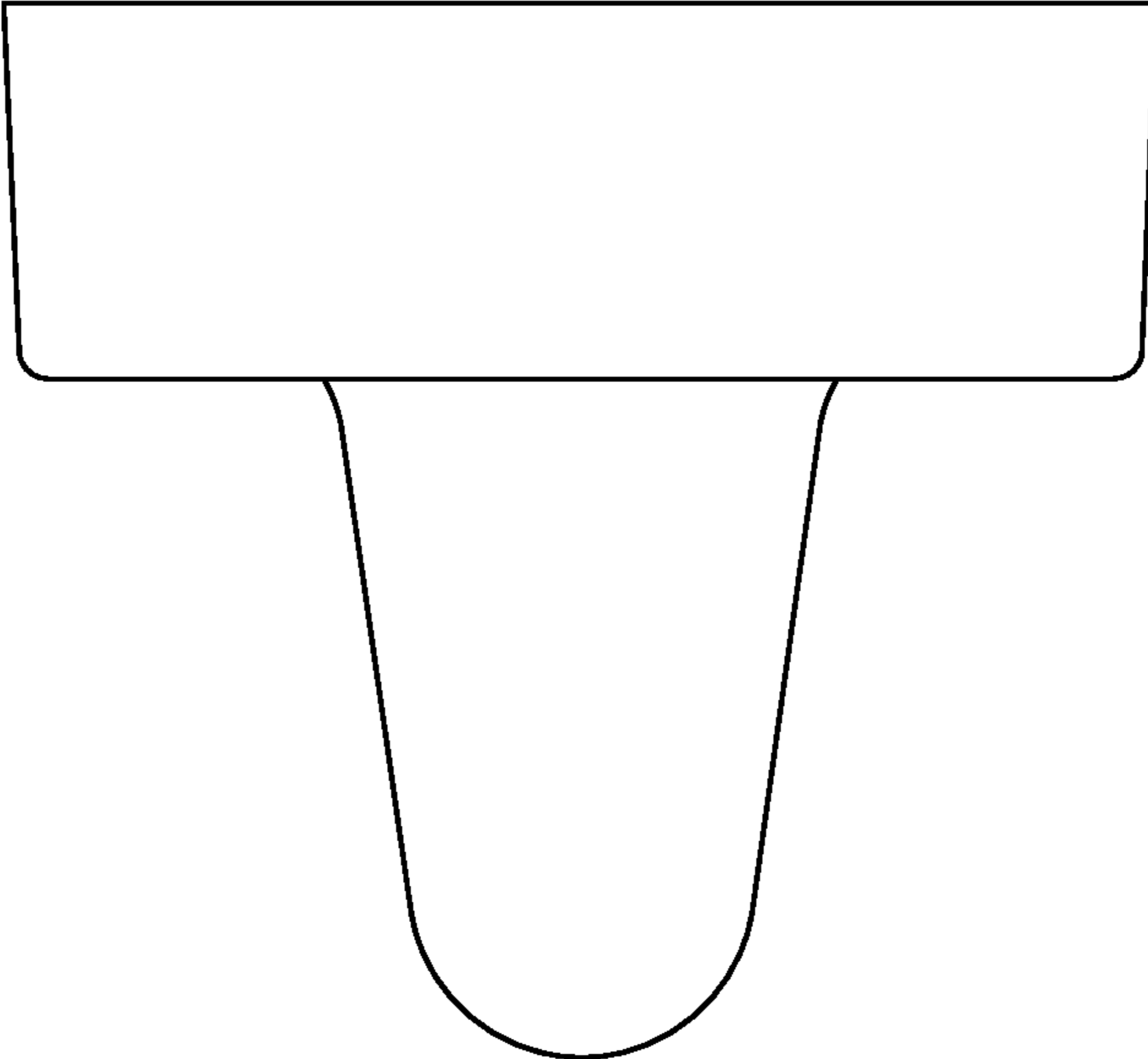


Fig. 3

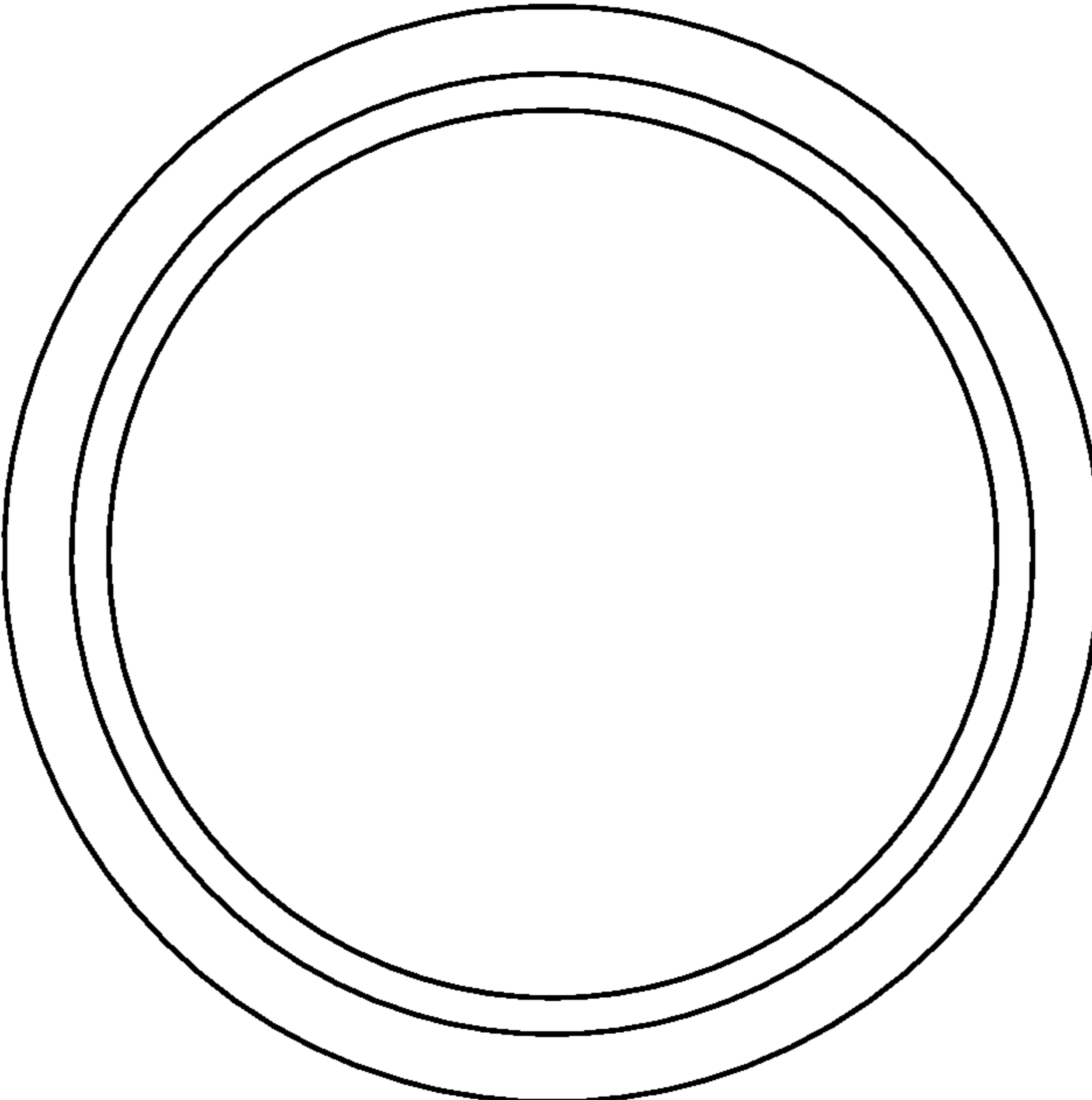


Fig. 4

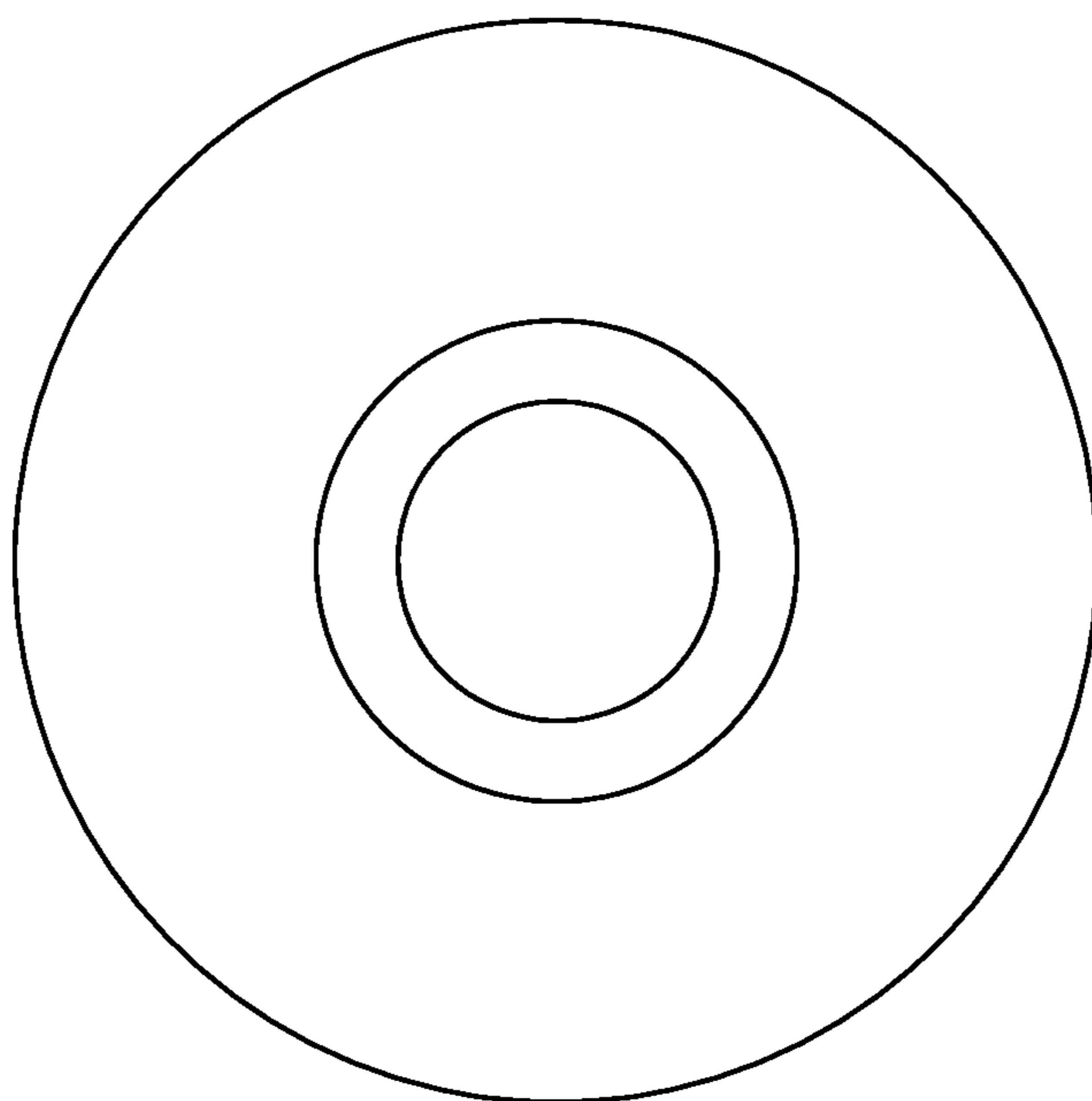


Fig. 5

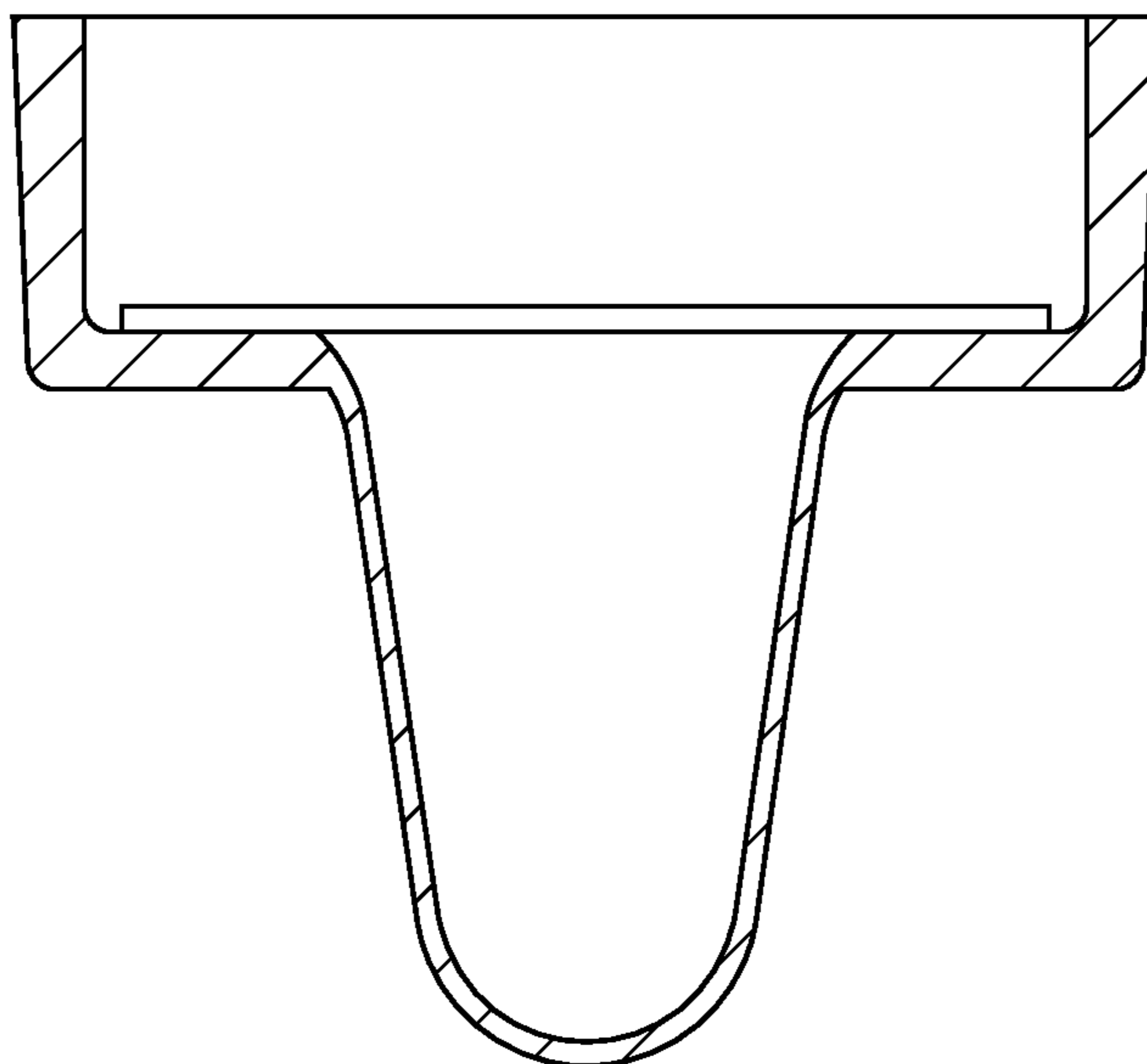


Fig. 6