



US00D684271S

(12) **United States Design Patent**
Kosugi et al.

(10) **Patent No.:** **US D684,271 S**
(45) **Date of Patent:** **** Jun. 11, 2013**

(54) **CENTRIFUGE**

(75) Inventors: **Shingo Kosugi**, Hitachinaka (JP);
Takeshi Taniguchi, Hitachinaka (JP);
Yuki Shimizu, Hitachinaka (JP)

(73) Assignee: **Hitachi Koki Co., Ltd.**, Tokyo (JP)

(**) Term: **14 Years**

(21) Appl. No.: **29/419,711**

(22) Filed: **May 1, 2012**

(30) **Foreign Application Priority Data**

Nov. 2, 2011 (JP) 2011-025389

(51) **LOC (9) Cl.** **24-01**

(52) **U.S. Cl.**
USPC **D24/219**

(58) **Field of Classification Search**
USPC D24/216, 217, 219, 231, 232, 107,
D24/169, 186; D10/81; 422/62-65, 67, 72;
436/43, 45, 47; 494/9, 11, 12, 20, 84
See application file for complete search history.

(56) **References Cited**

U.S. PATENT DOCUMENTS

D324,107 S * 2/1992 Koreeda et al. D24/219
D367,867 S * 3/1996 Suzuki et al. D24/219

D415,840 S * 10/1999 Lamond et al. D24/219
D432,243 S * 10/2000 Suzuki et al. D24/219
D525,890 S * 8/2006 Inagaki D10/81
7,090,633 B2 * 8/2006 Hall et al. 494/12
7,314,442 B2 * 1/2008 Shimizu et al. 494/60
D617,909 S * 6/2010 Taniguchi et al. D24/219
D660,976 S * 5/2012 Henssler et al. D24/219

* cited by examiner

Primary Examiner — Anhdao Doan

(74) *Attorney, Agent, or Firm* — Sughrue Mion, PLLC

(57) **CLAIM**

The ornamental design for a centrifuge, as shown and described.

DESCRIPTION

FIG. 1 is a perspective view of front, right side and top of a centrifuge showing our new design;
FIG. 2 is a perspective view of rear, left side and top thereof;
FIG. 3 is a front view thereof;
FIG. 4 is a rear view thereof;
FIG. 5 is a left side view thereof;
FIG. 6 is a right side view thereof;
FIG. 7 is a top view thereof; and,
FIG. 8 is a bottom view thereof.

The portions of the article in broken lines are shown for illustrative purposes only and form no part of the claimed design.

1 Claim, 8 Drawing Sheets

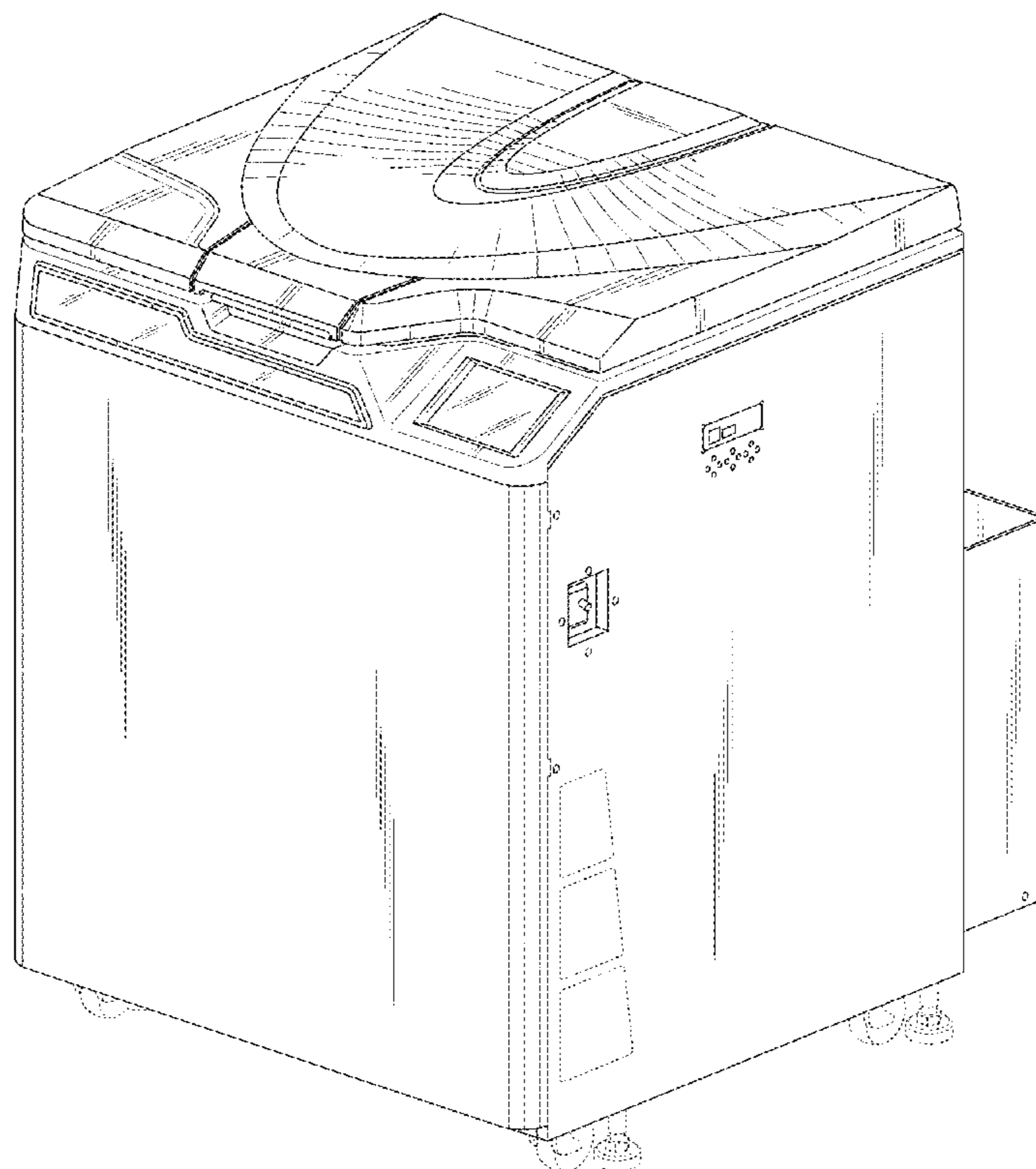


Fig. 1

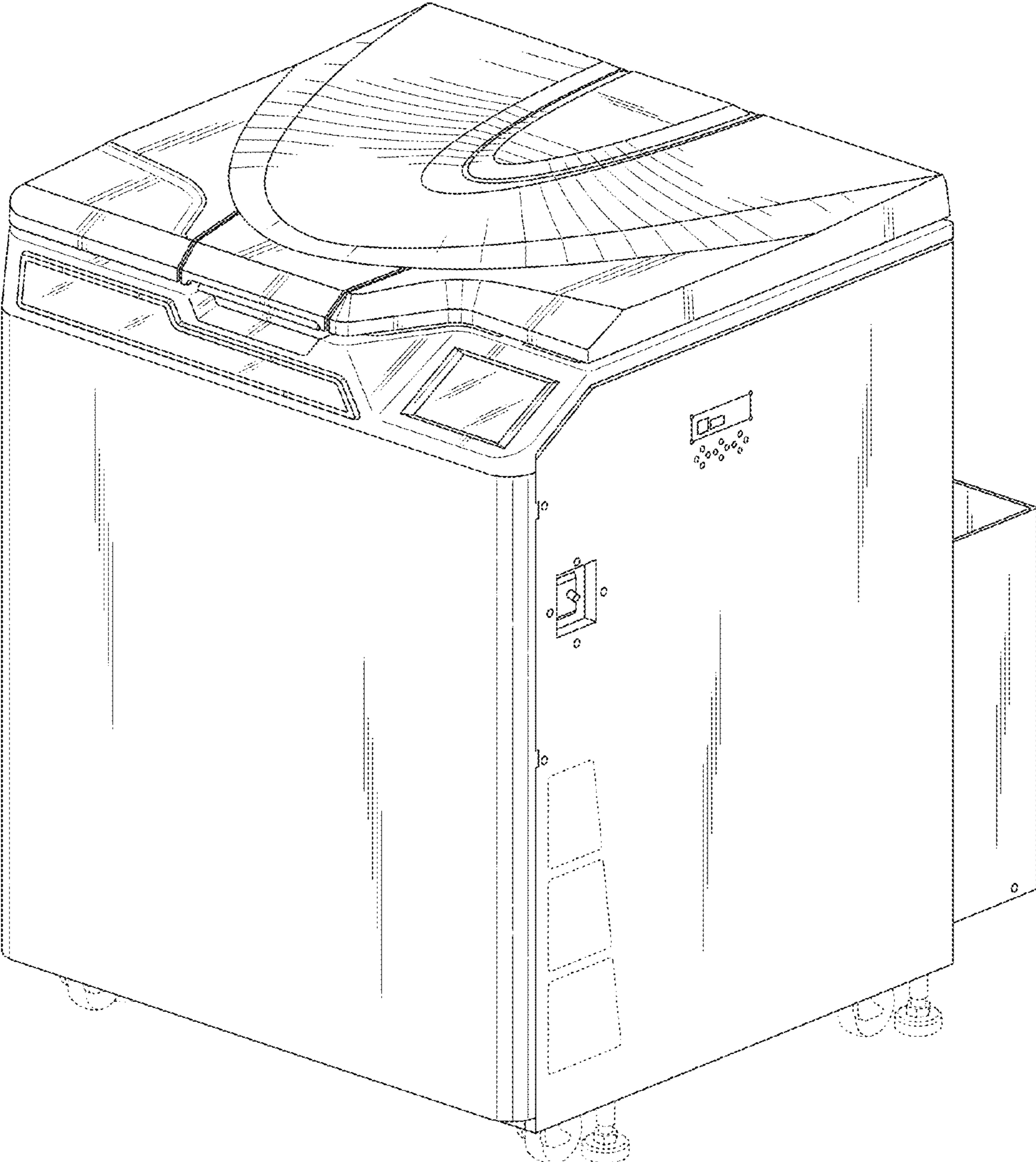


Fig. 2

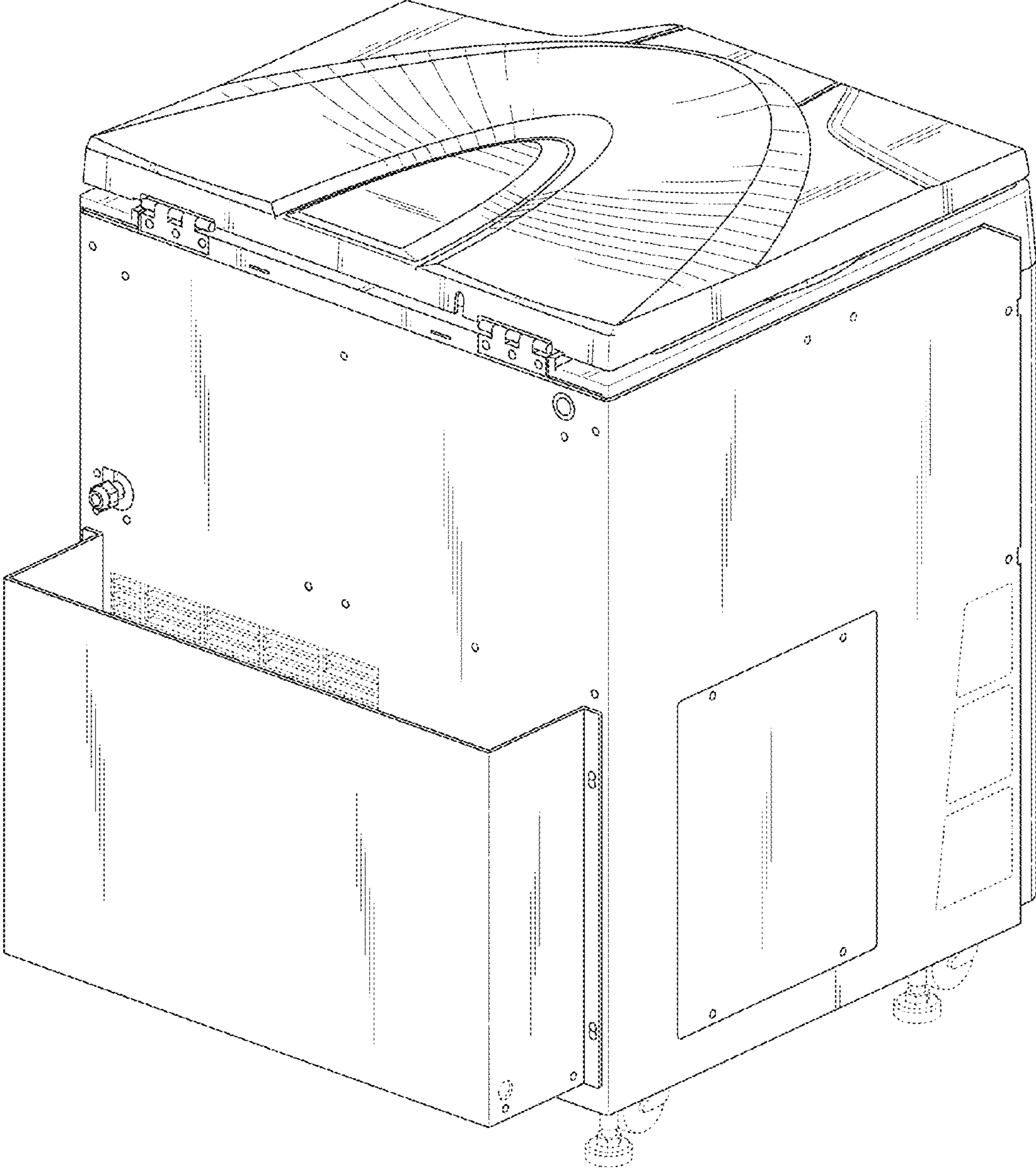


Fig. 3

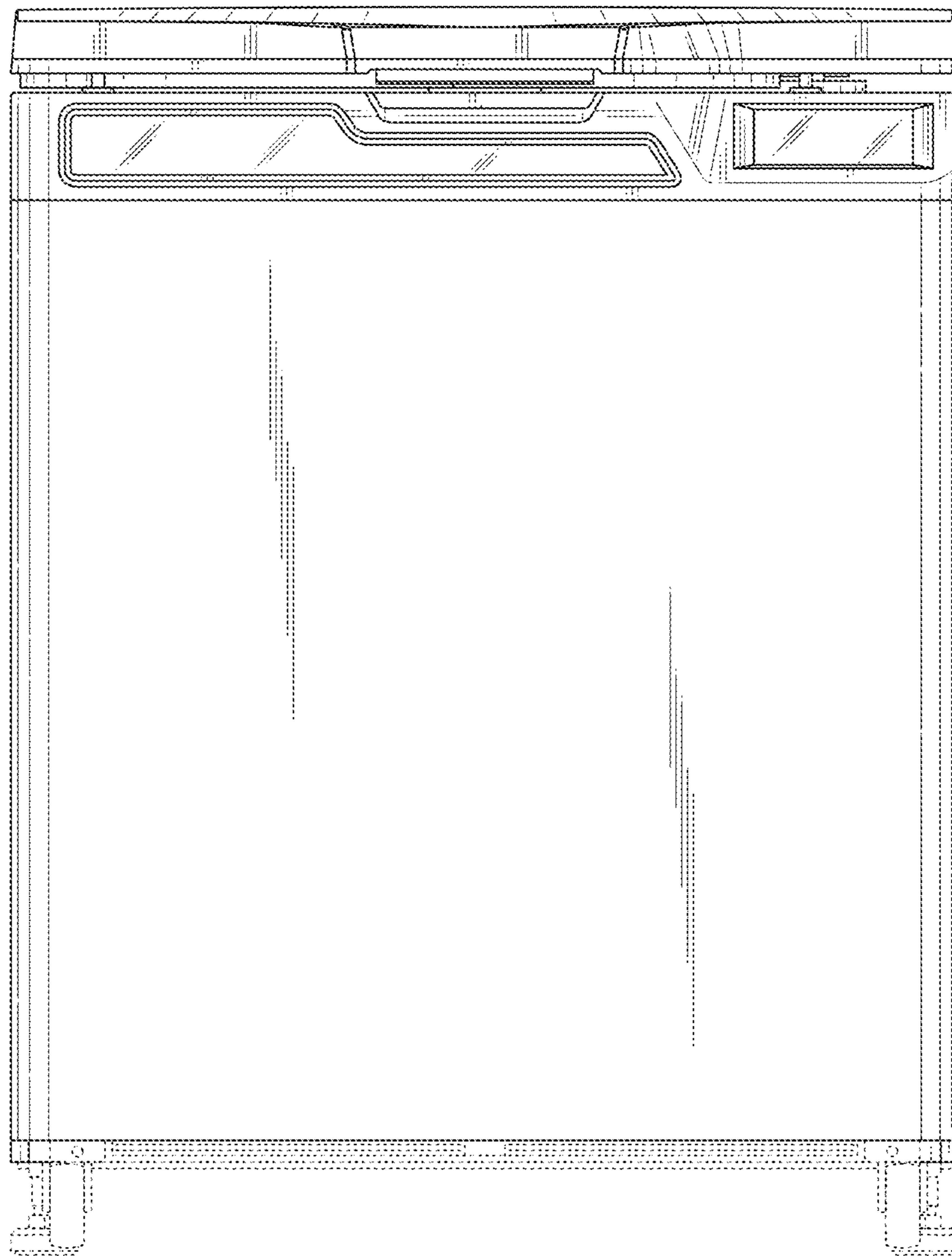


Fig. 4

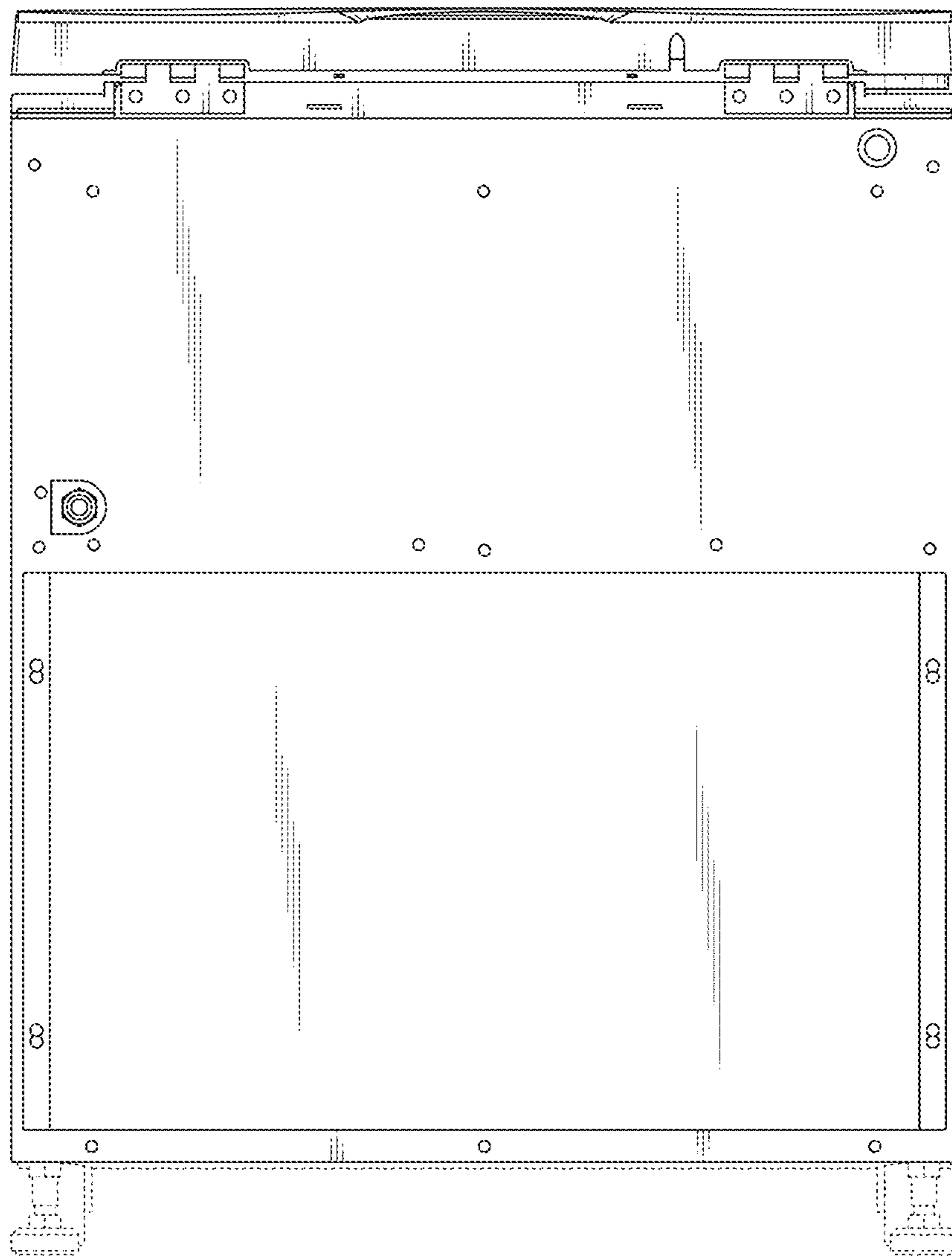


Fig. 5

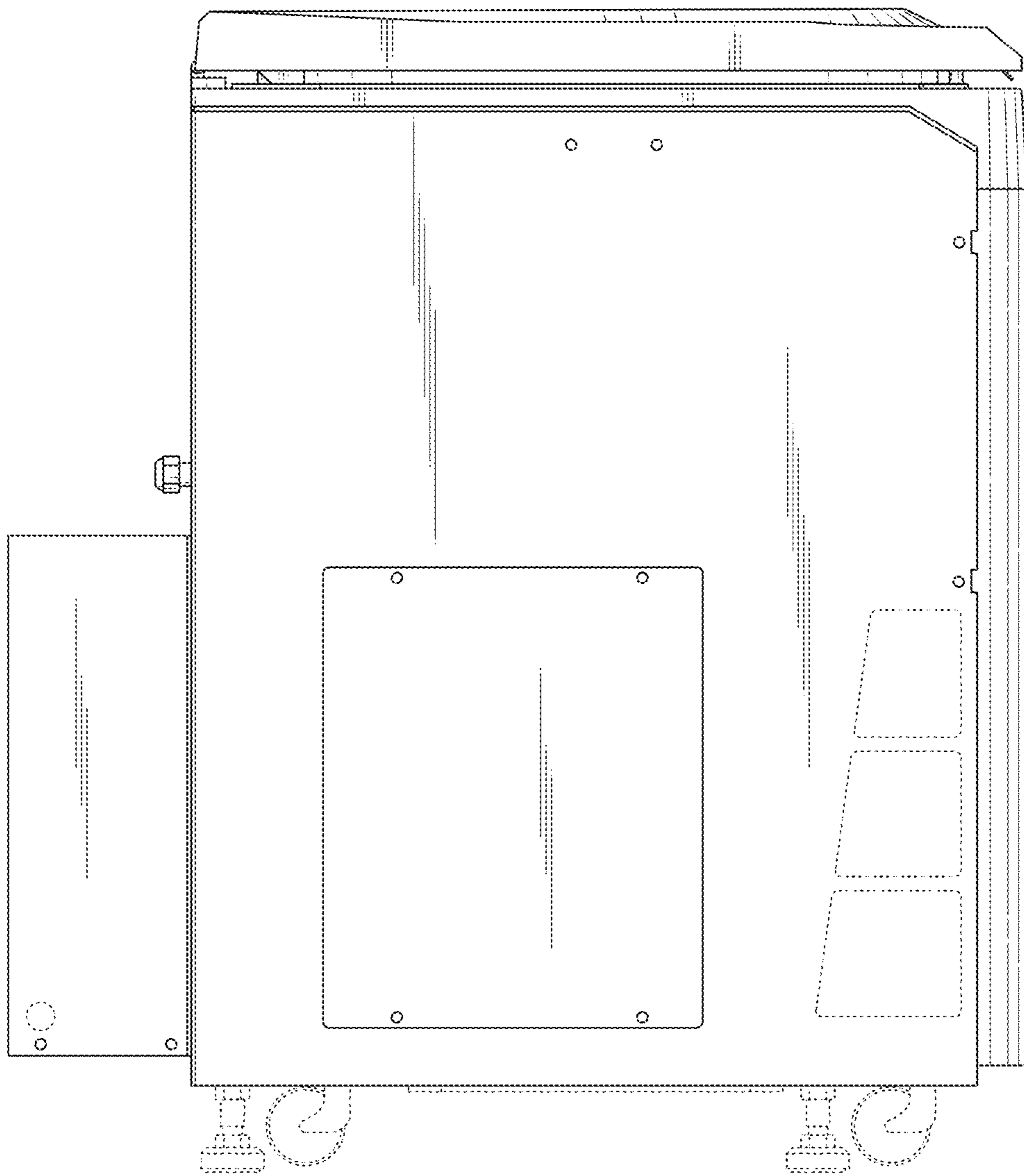


Fig. 6

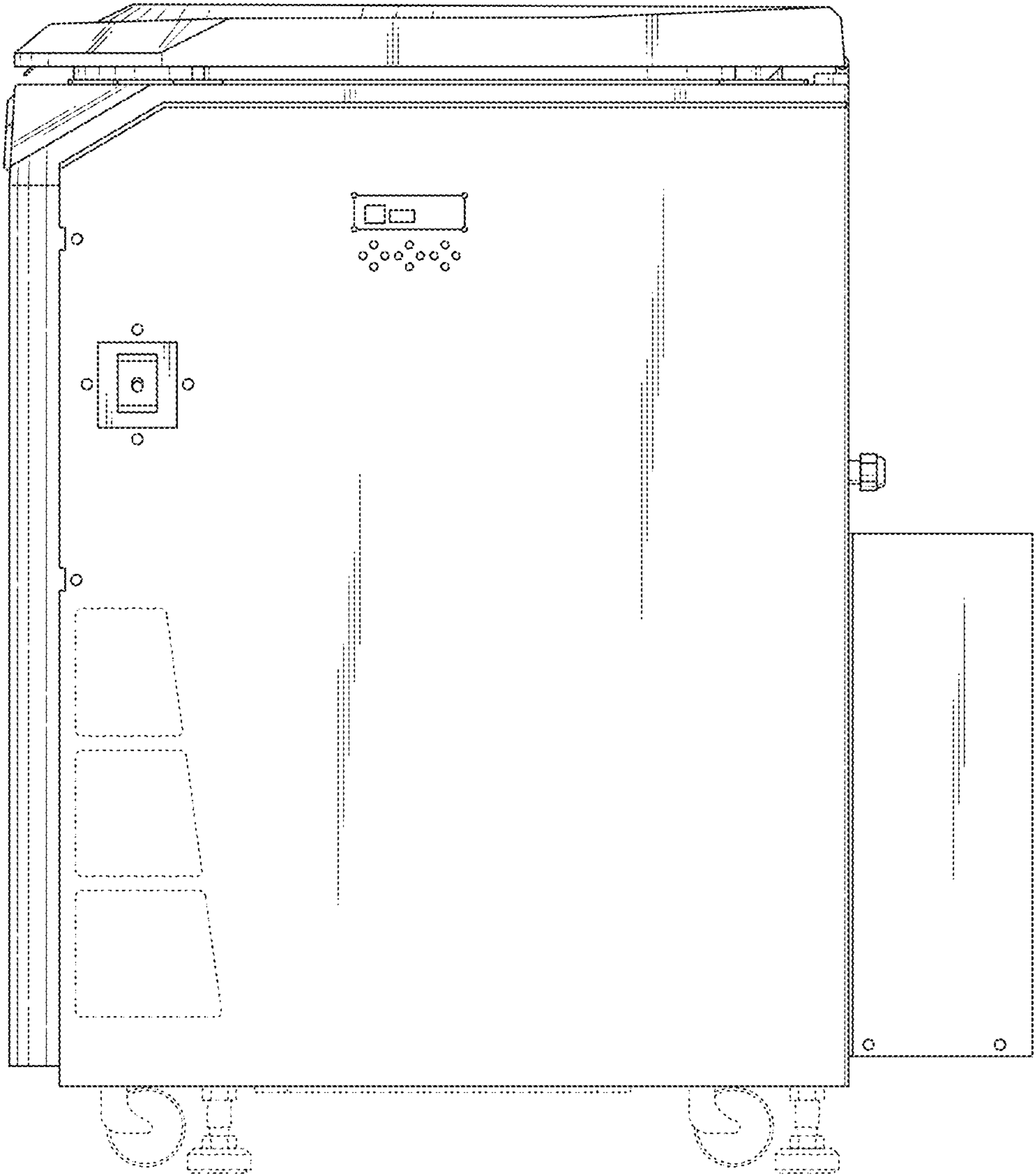


Fig. 7

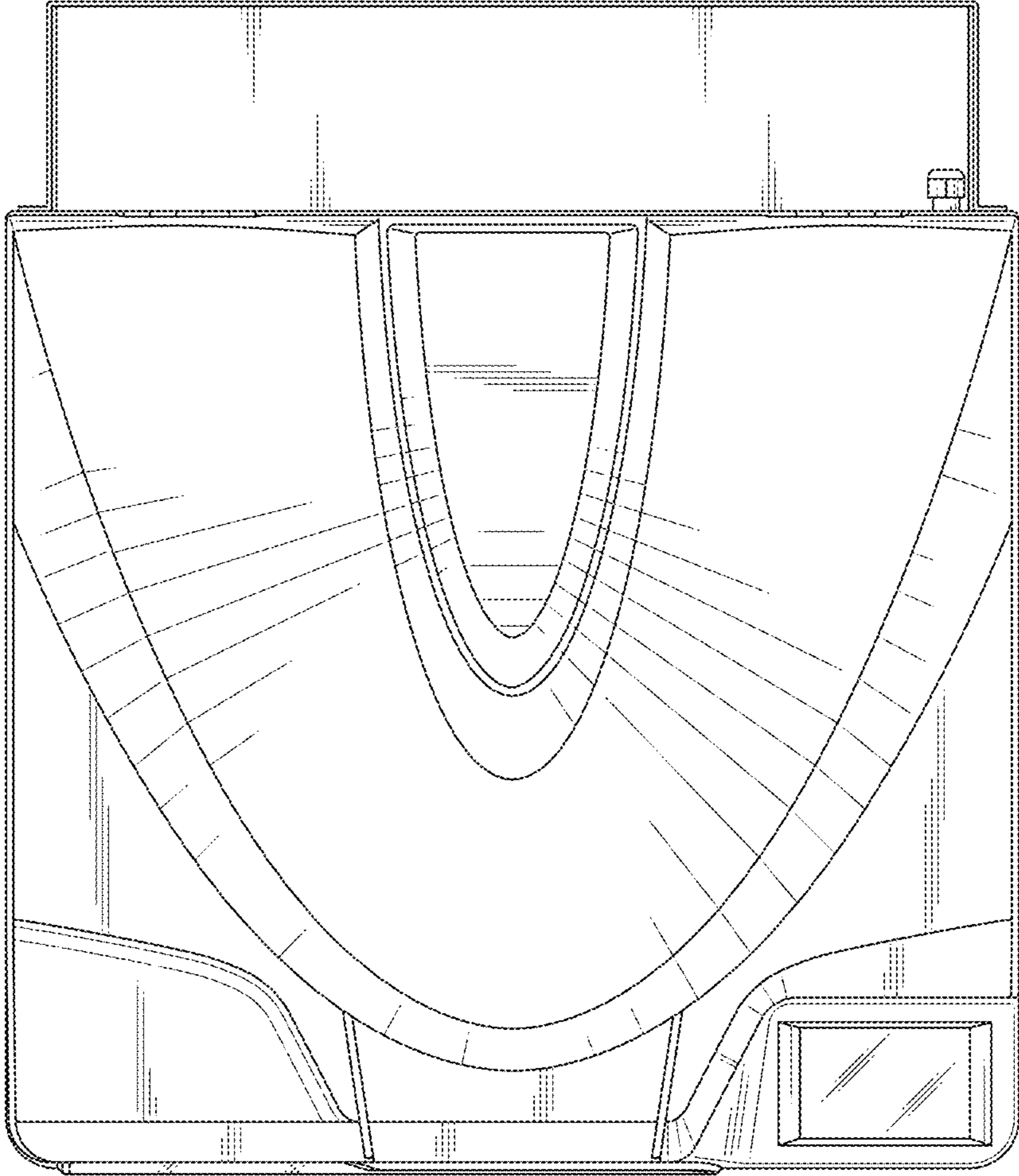


Fig. 8

