



US00D684269S

(12) **United States Design Patent**
Wang et al.

(10) **Patent No.:** **US D684,269 S**
(45) **Date of Patent:** **** Jun. 11, 2013**

(54) **LED SPA LIGHT DEVICE**

(56) **References Cited**

(75) Inventors: **Chun-Chieh Wang**, New Taipei (TW);
Ming-Chieh Tu, Keelung (TW);
Chung-Pei Lee, Taipei (TW);
Jung-Chien Chang, New Taipei (TW);
Ciou-Jyun Liou, Miaoli County (TW)

U.S. PATENT DOCUMENTS

5,730,520	A *	3/1998	Hsu et al.	362/545
6,350,046	B1 *	2/2002	Lau	362/294
6,354,711	B1 *	3/2002	McCoy	362/800
D455,854	S *	4/2002	Smith	D26/37
D544,618	S *	6/2007	Coushaine	D26/37
D579,572	S *	10/2008	Wittenbrock et al.	D24/209
7,462,993	B2 *	12/2008	Sotiriou	362/545
D607,600	S *	1/2010	Keith	D26/104
D649,652	S *	11/2011	Hayton et al.	D24/209
D666,332	S *	8/2012	Kim et al.	D26/2
D666,333	S *	8/2012	Kim et al.	D26/2
D666,334	S *	8/2012	Kim et al.	D26/2
8,382,335	B2 *	2/2013	Harbers et al.	362/294

(73) Assignee: **Forward Electronics Co., Ltd.**, Taipei (TW)

(**) Term: **14 Years**

* cited by examiner

(21) Appl. No.: **29/422,522**

Primary Examiner — David Muller

(22) Filed: **May 22, 2012**

(74) *Attorney, Agent, or Firm* — Bacon & Thomas, PLLC

(30) **Foreign Application Priority Data**

(57) **CLAIM**

Mar. 13, 2012 (TW) 101301361

The ornamental design for the LED spa light device, as shown and described.

(51) **LOC (9) Cl.** **28-03**

DESCRIPTION

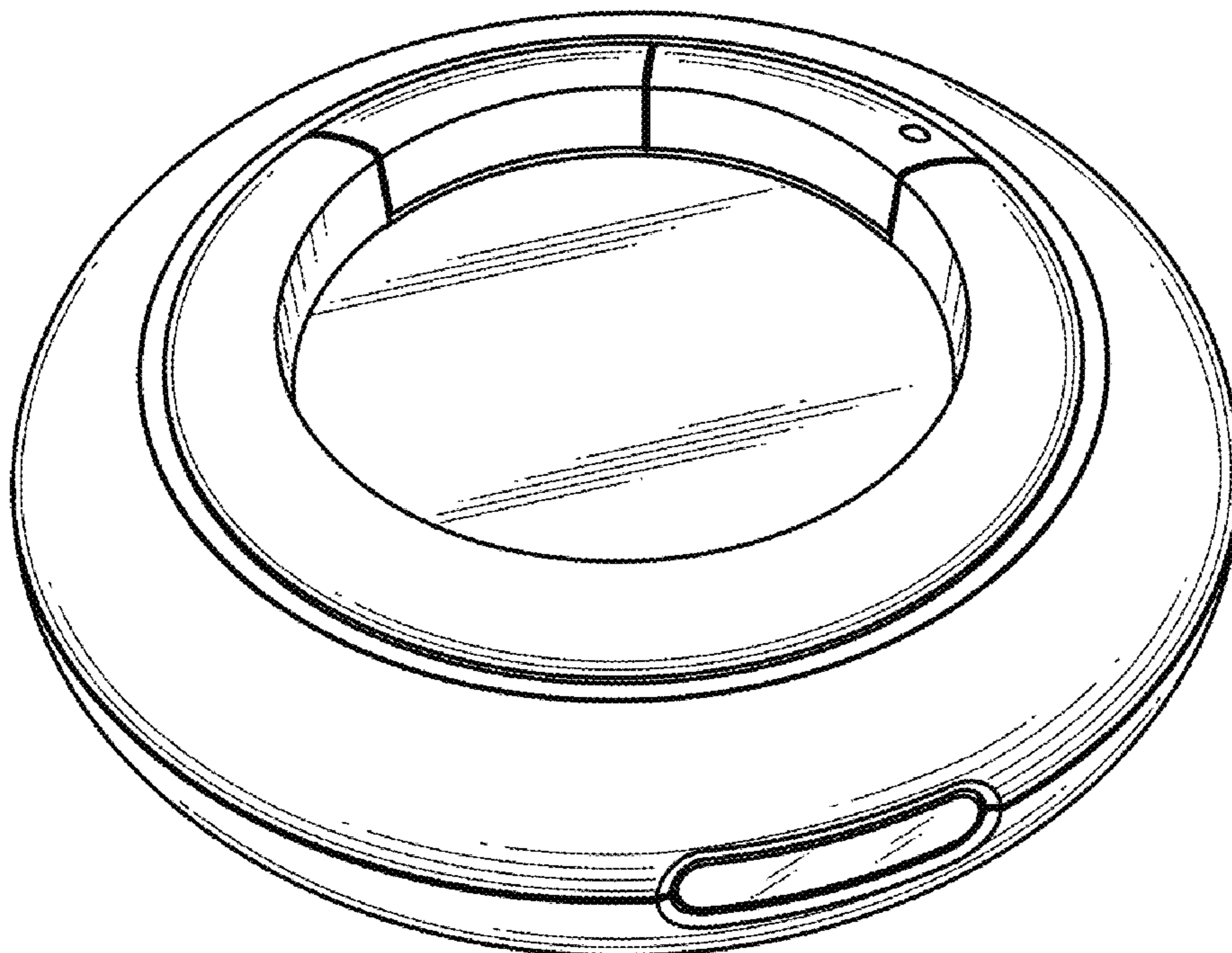
(52) **U.S. Cl.**
USPC **D24/209**

FIG. 1 is a perspective view of a LED spa light device showing my new design;
FIG. 2 is a front elevational view thereof;
FIG. 3 is a rear elevational view thereof;
FIG. 4 is a left side elevational view thereof;
FIG. 5 is a right side elevational view thereof;
FIG. 6 is a top plan view thereof; and,
FIG. 7 is a bottom plan view.

(58) **Field of Classification Search**
USPC D24/209, 210, 200, 158, 176; 362/555,
362/545, 800, 294, 249, 267; D26/2, 29,
D26/37, 39, 41, 104; 606/2-4, 16, 131;
607/88-95; 433/29; 601/15

See application file for complete search history.

1 Claim, 4 Drawing Sheets



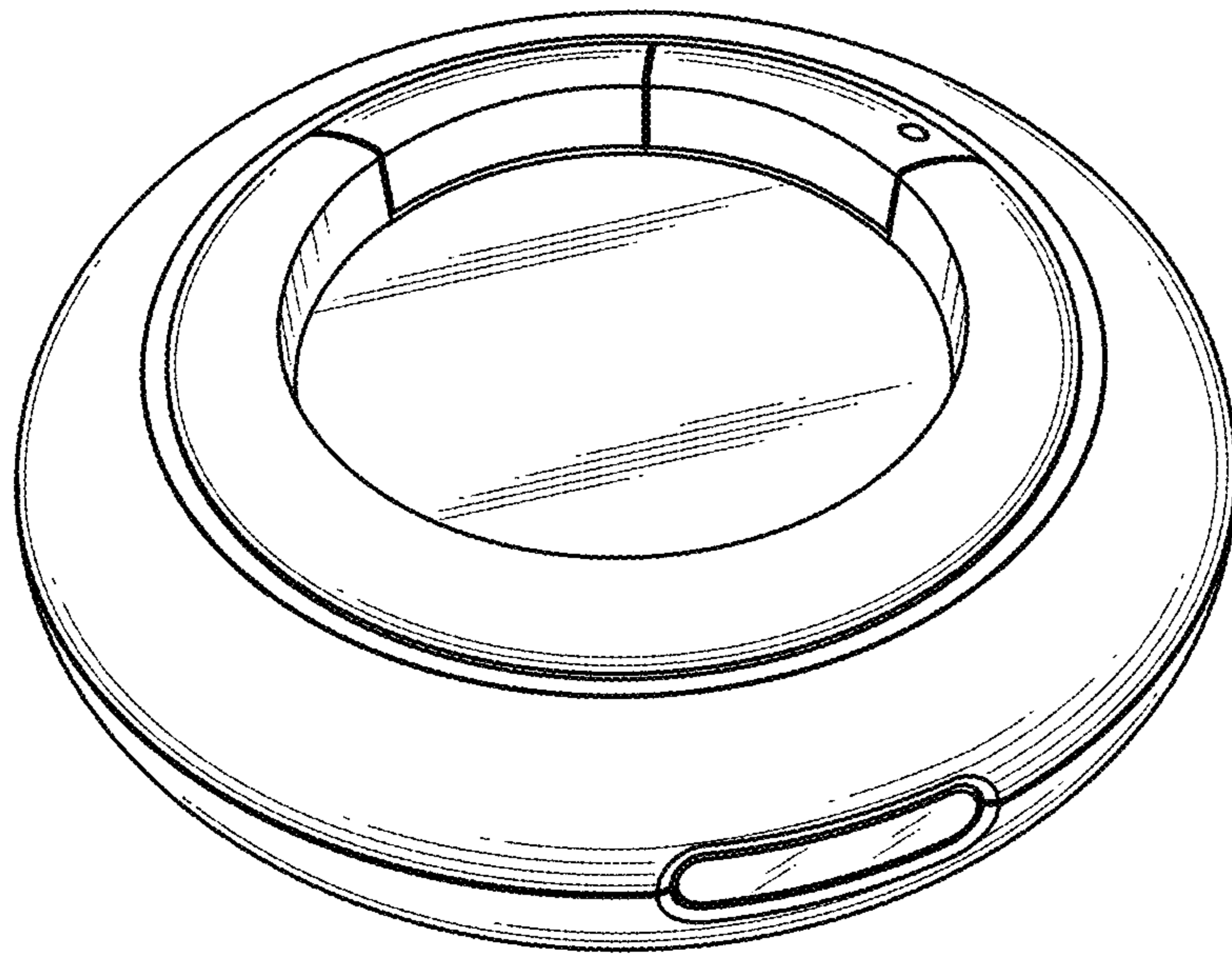


FIG. 1

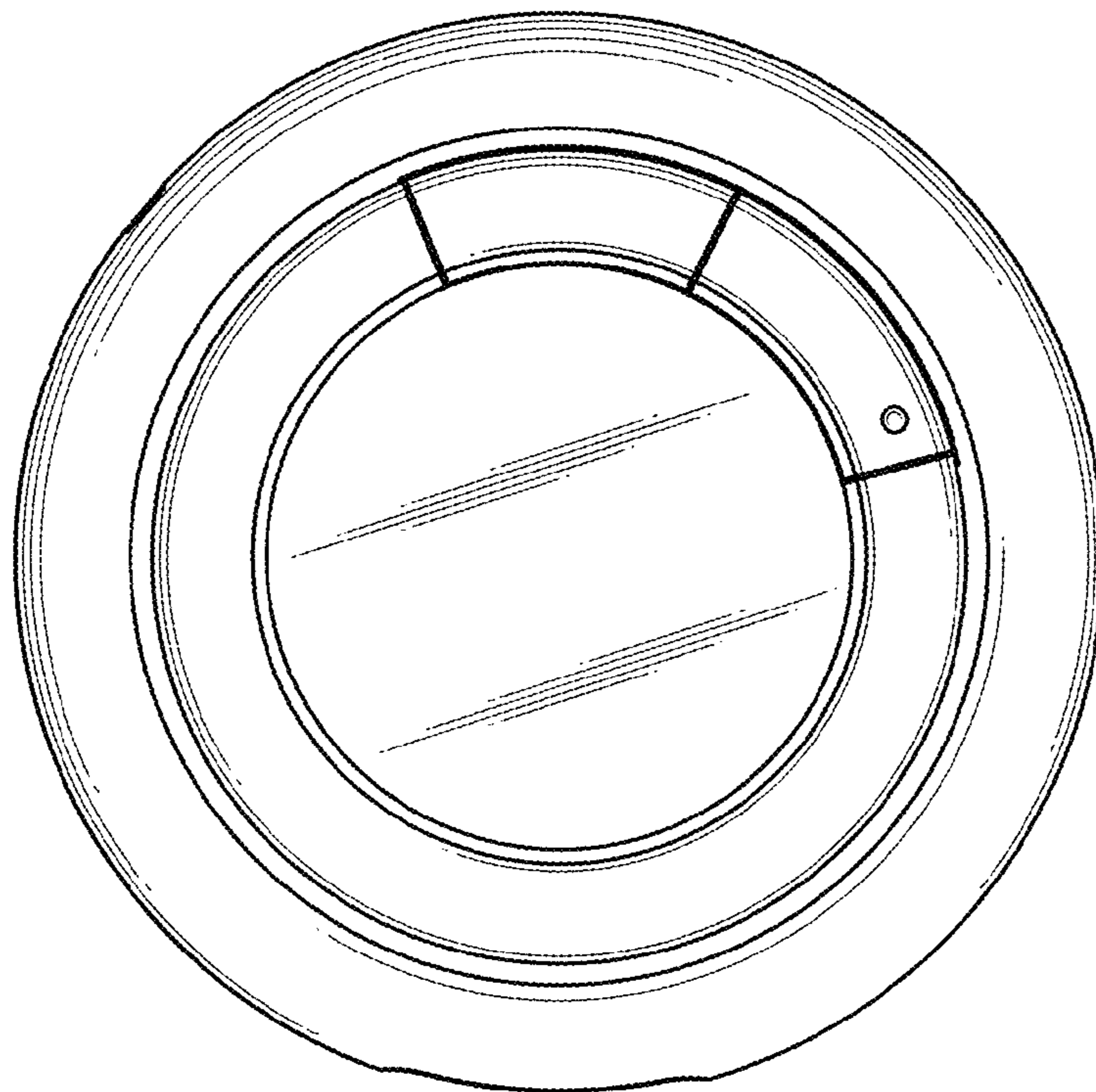


FIG. 2

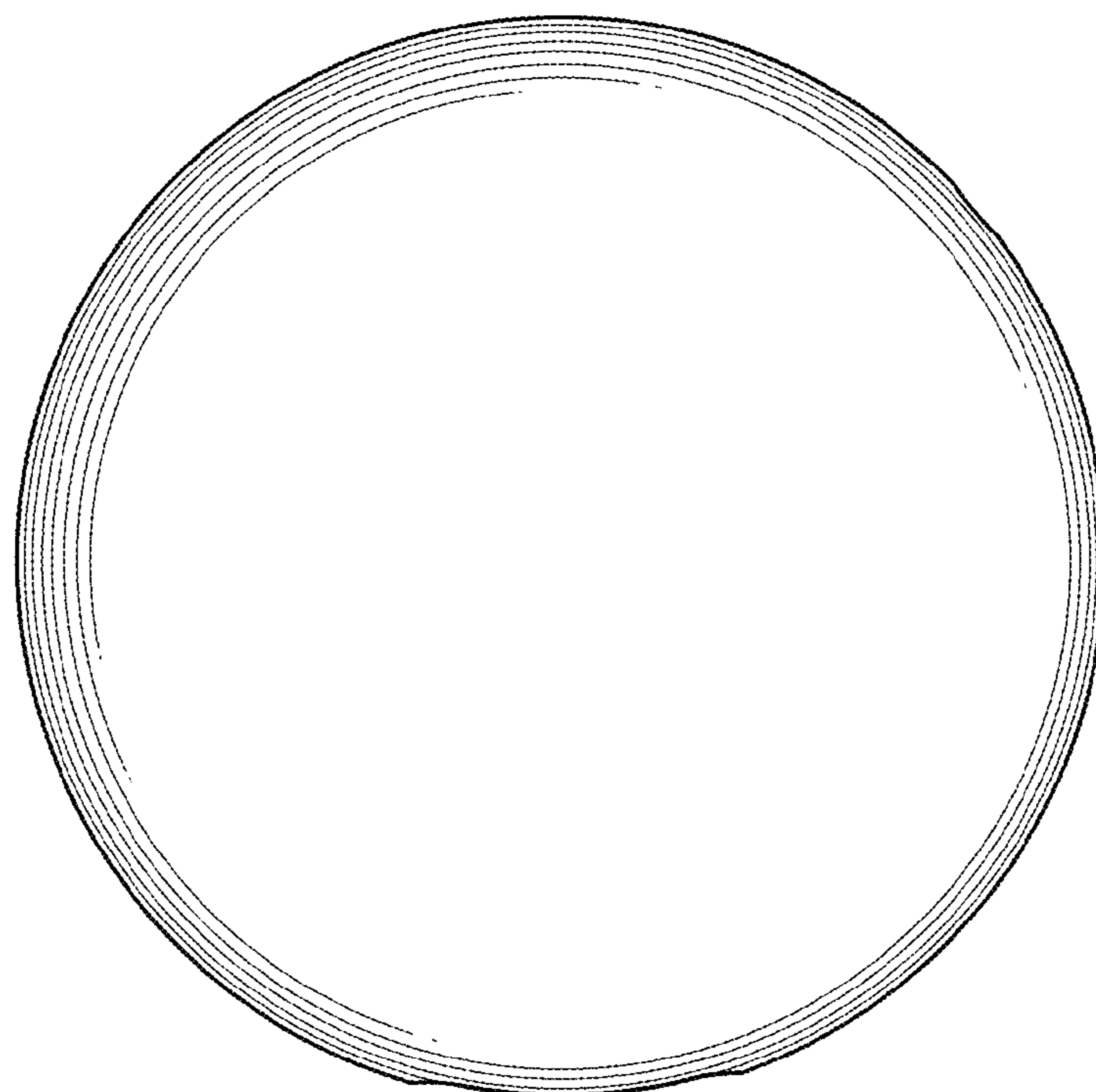


FIG. 3

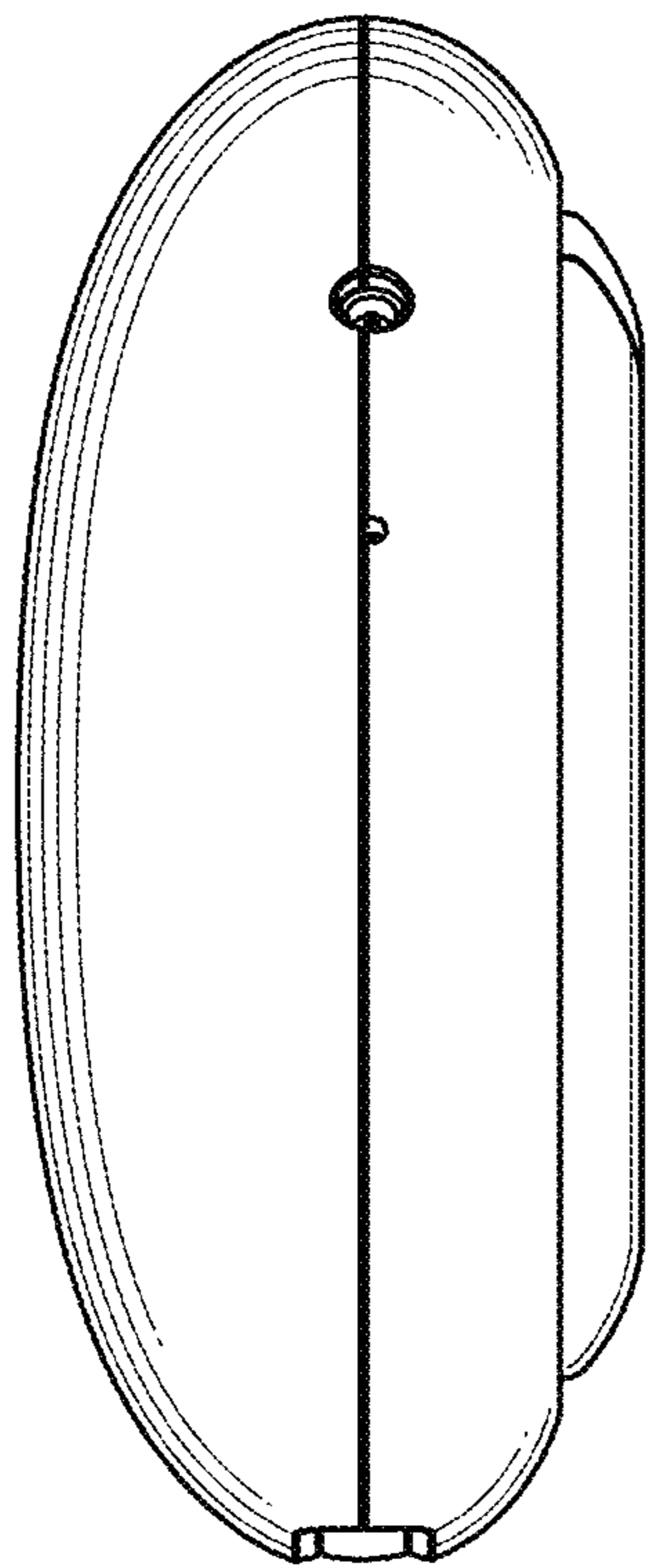


FIG. 4

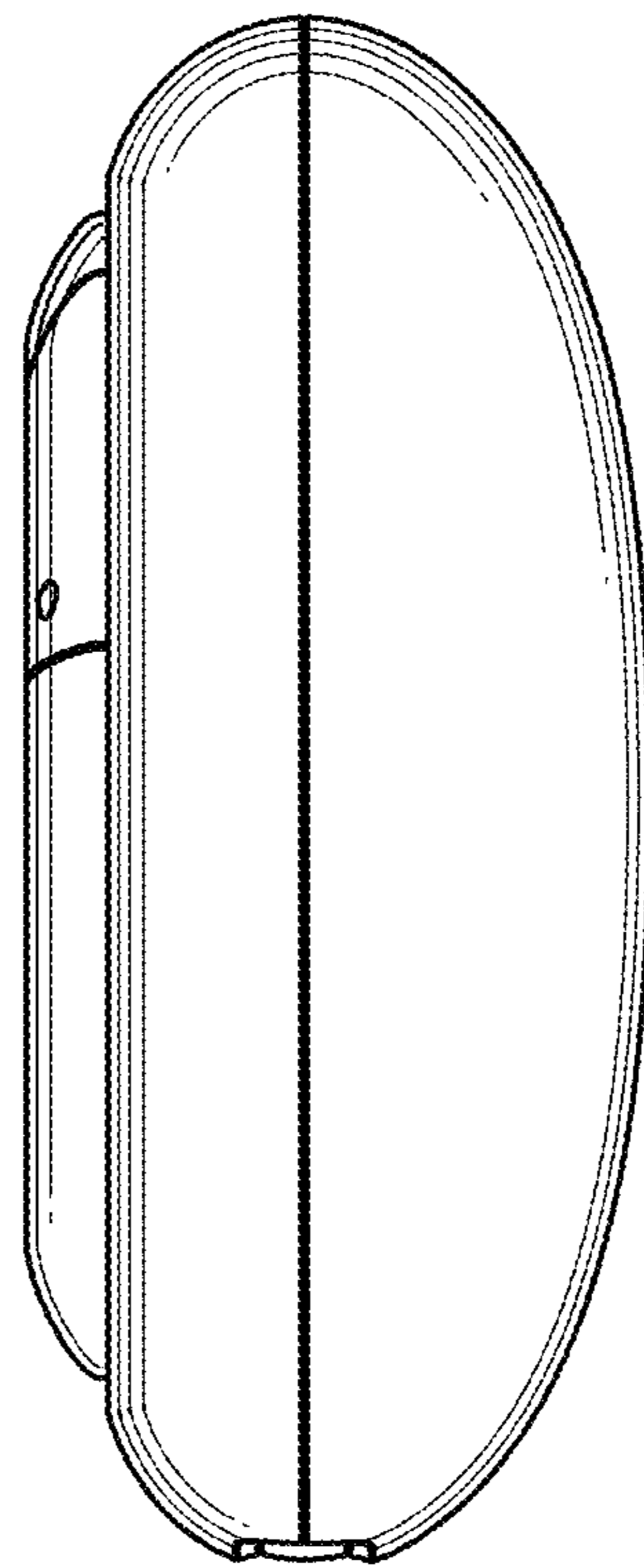


FIG. 5

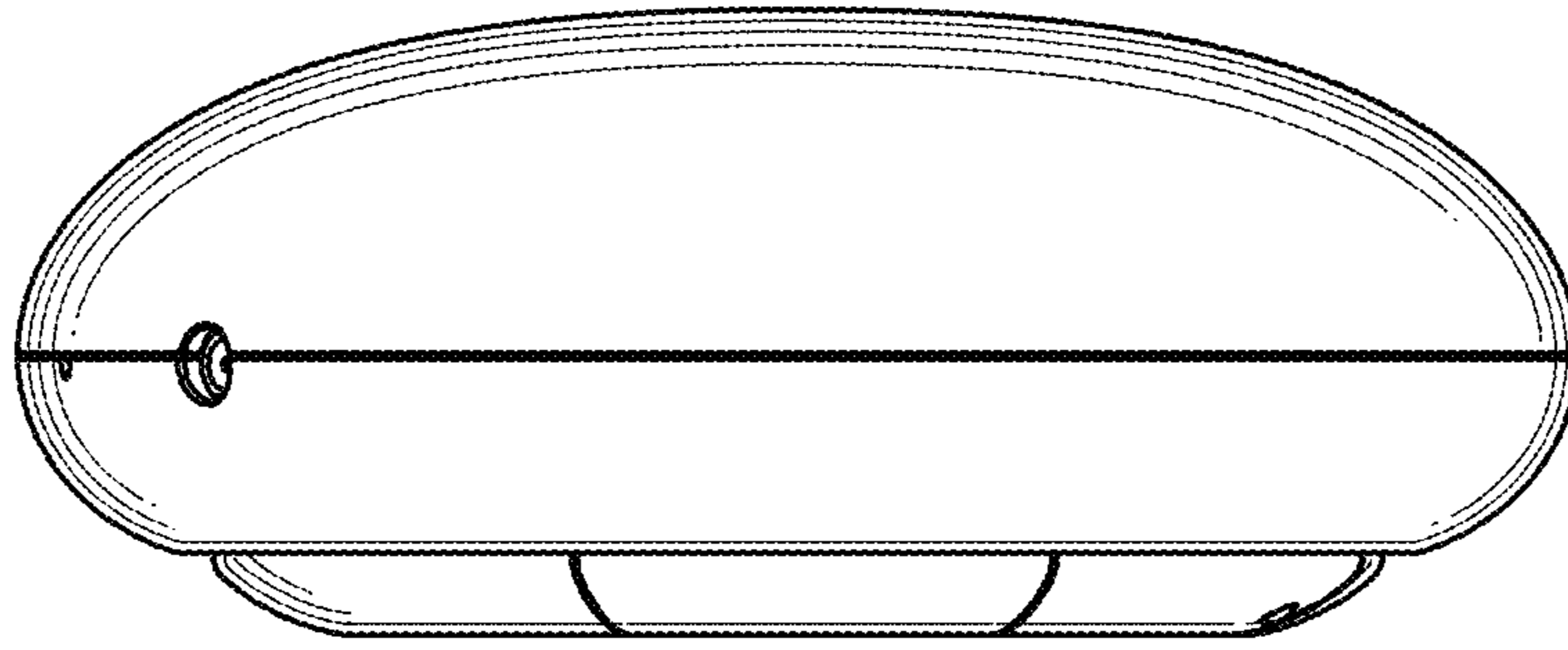


FIG. 6

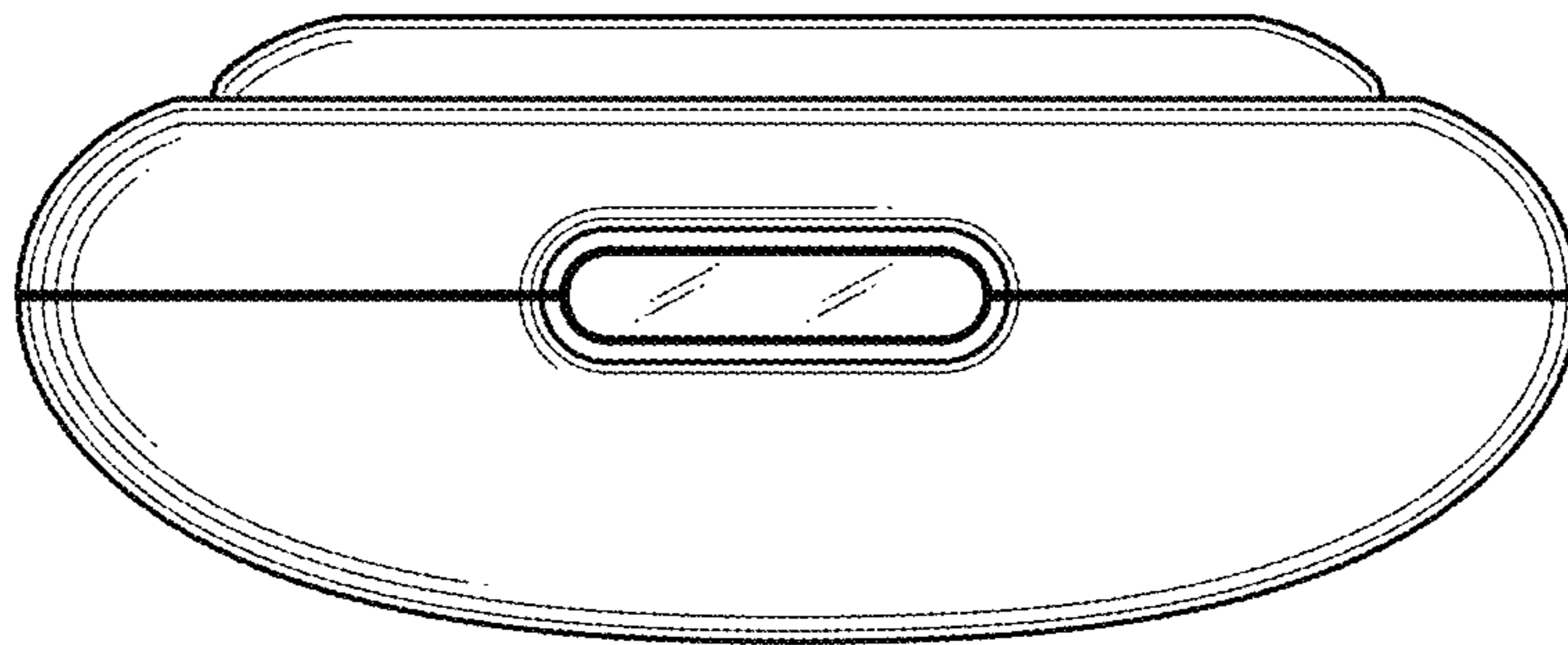


FIG. 7