



US00D684260S

(12) **United States Design Patent**
Lund et al.

(10) **Patent No.:** **US D684,260 S**
(45) **Date of Patent:** **** Jun. 11, 2013**

(54) **URINE COLLECTION BAG**

(75) Inventors: **Jesper Groendahl Lund**, Bagsvaerd (DK); **Bo Kjaer Vigant Lorentsen**, Helsingoer (DK); **Jens Knudstrup Trolle**, Copenhagen N (DK); **Thomas Harrit**, Birkerood (DK)

(73) Assignee: **Coloplast A/S**, Humlebaek (DK)

(**) Term: **14 Years**

(21) Appl. No.: **29/385,856**

(22) Filed: **Feb. 22, 2011**

(51) **LOC (9) Cl.** **24-02**

(52) **U.S. Cl.**
USPC **D24/118**

(58) **Field of Classification Search**
USPC D24/118, 127, 108, 128, 111, 121, D24/122, 189-192, 206; 604/317, 327, 408, 604/403, 108, 339, 92, 415, 410, 332, 333; 128/DIG. 24; 383/22, 23, 35; D9/707, 709, D9/696; 206/219; D18/56
See application file for complete search history.

(56) **References Cited**

U.S. PATENT DOCUMENTS

3,897,785	A *	8/1975	Barto, Jr.	604/327
4,319,573	A *	3/1982	Whitlock	D24/118
4,511,358	A *	4/1985	Johnson et al.	604/327
D303,841	S *	10/1989	Cawood et al.	D24/118
D358,467	S *	5/1995	Davis, Sr.	D24/118
5,439,456	A *	8/1995	Fabricant	604/327
5,643,236	A *	7/1997	Hadley	604/327
D395,356	S *	6/1998	Tang	D3/327
D399,952	S *	10/1998	McMillian	D24/122
D433,133	S *	10/2000	Dyer	D24/128

D438,616 S * 3/2001 Williams D24/128
7,517,340 B2 * 4/2009 Barrientos 604/317
8,226,621 B2 * 7/2012 Timmons 604/327

* cited by examiner

Primary Examiner — David Muller

(74) *Attorney, Agent, or Firm* — Coloplast Corp., Coloplast A/S; Nick Baumann

(57) **CLAIM**

The ornamental design for a urine collection bag, as shown and described.

DESCRIPTION

FIG. 1 is an isometric view of a urine collection bag illustrating a fill port, a drain port, and a mechanism configured to attach the bag around an appendage, such as a leg of a user, for example, according to one embodiment;

FIG. 2 is a front side view thereof;

FIG. 3 is a back side view thereof;

FIG. 4 is a top side view thereof;

FIG. 5 is a bottom side view thereof;

FIG. 6 is a right side view thereof;

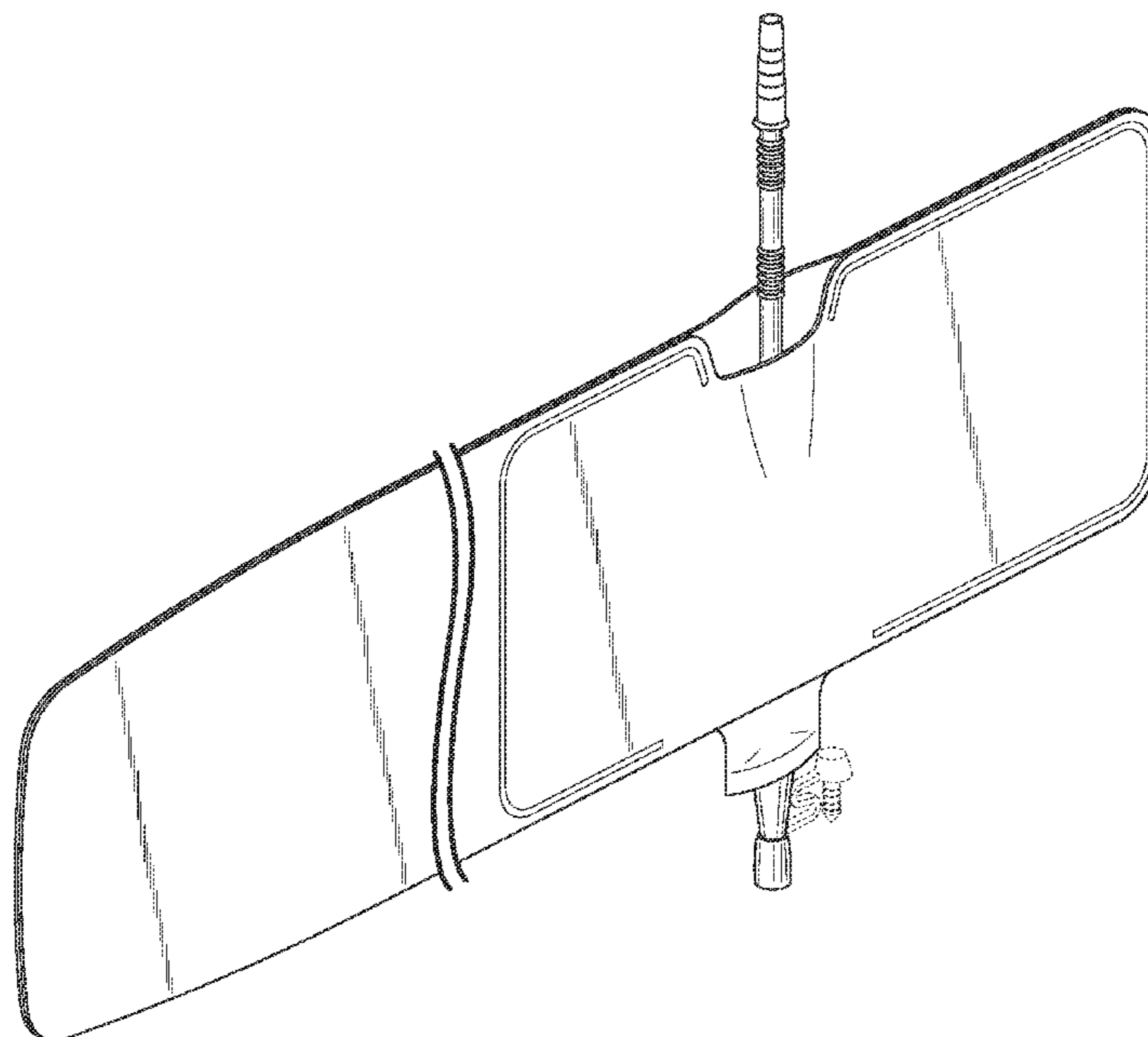
FIG. 7 is a left side view thereof; and,

FIG. 8 is an isometric view of the urine collection bag secured to a leg of a user according to one embodiment.

In FIGS. 3-7 the broken lines illustrating adhesive zones and other secural mechanisms of the urine collection bag depict environmental subject matter only and form no part of the claimed design. In FIGS. 1-6 and 8 the broken lines illustrating a drain port cap/plug of the urine collection bag depict environmental subject matter only and form no part of the claimed design.

The claimed design is broken in two to indicate that no particular length is claimed.

1 Claim, 6 Drawing Sheets



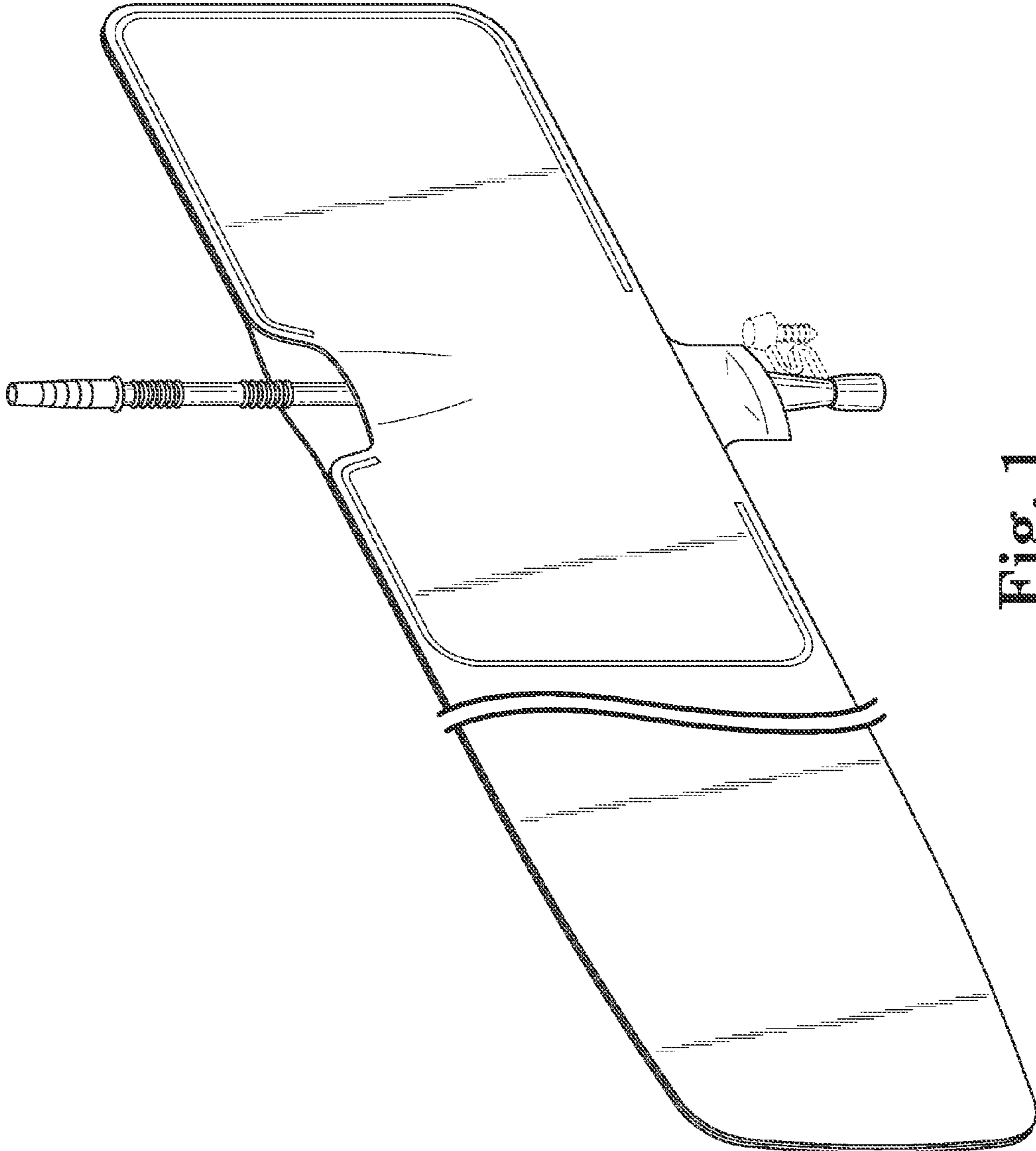


Fig. 1

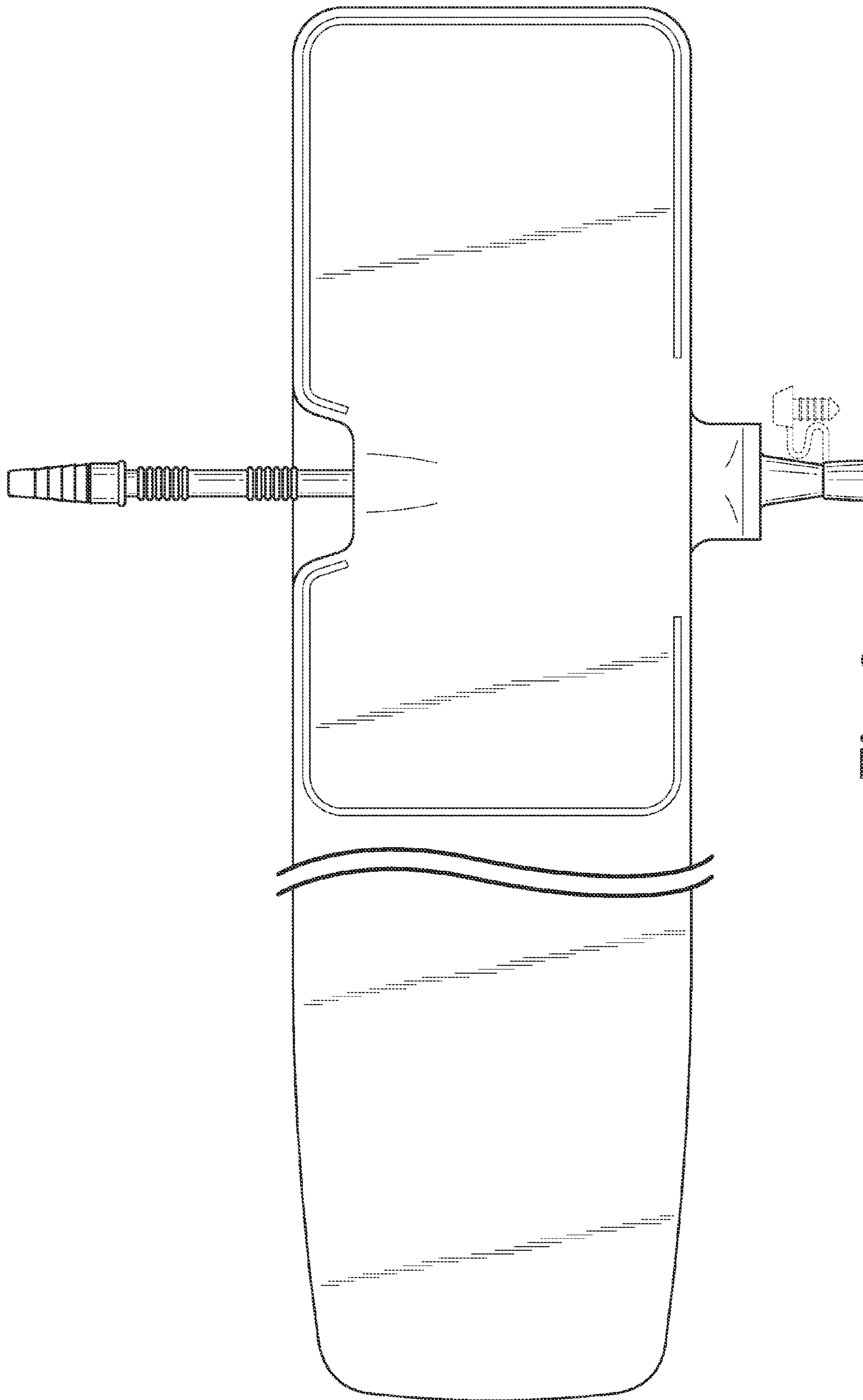


Fig. 2

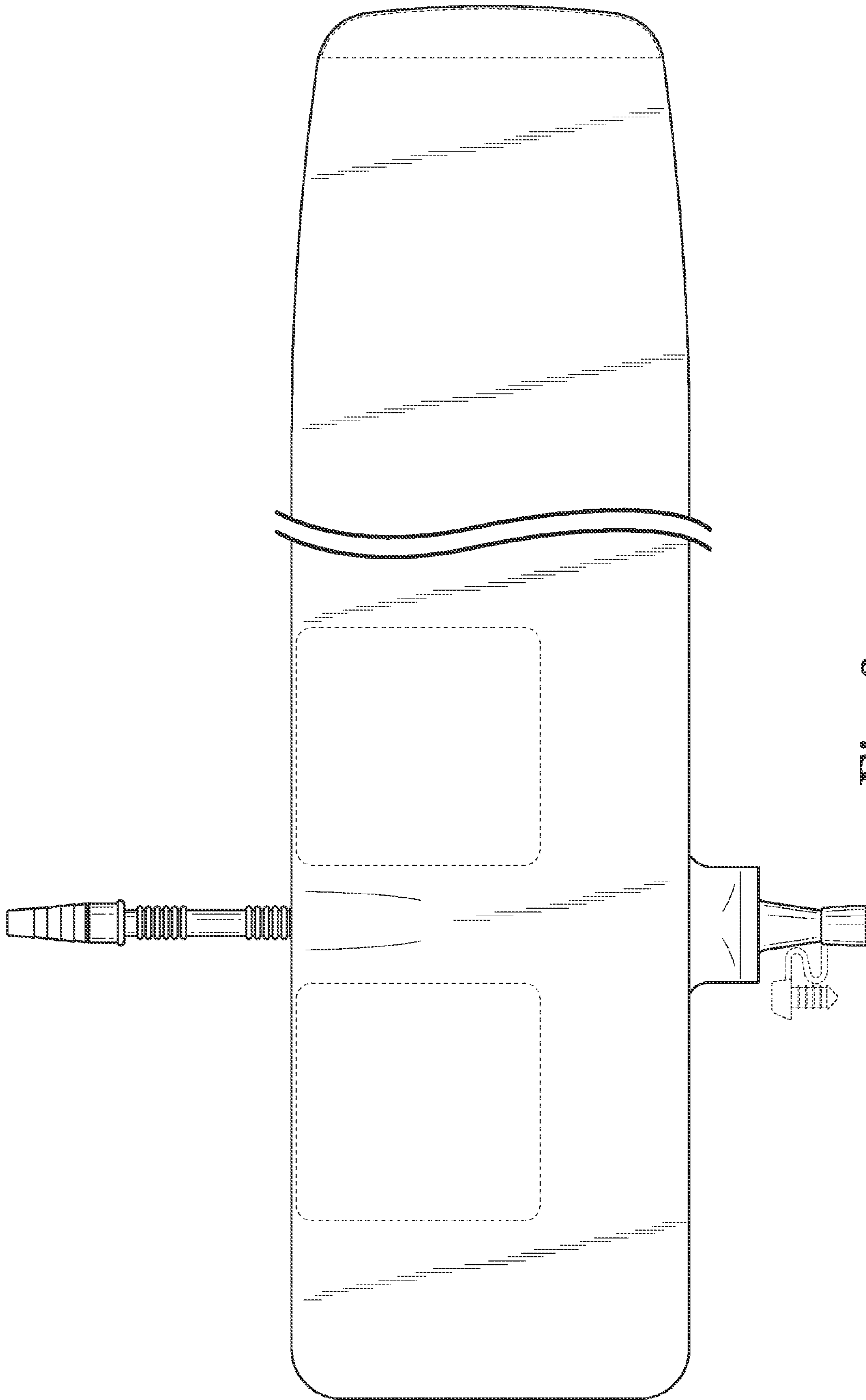


Fig. 3

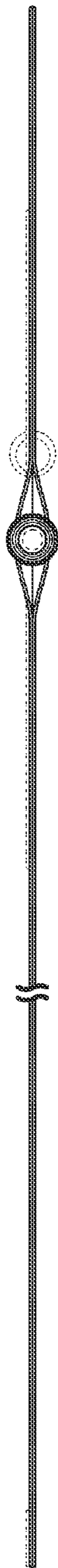


Fig. 4

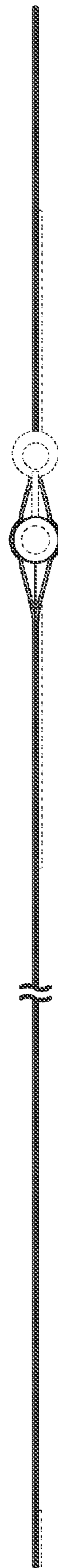


Fig. 5



Fig. 7



Fig. 6

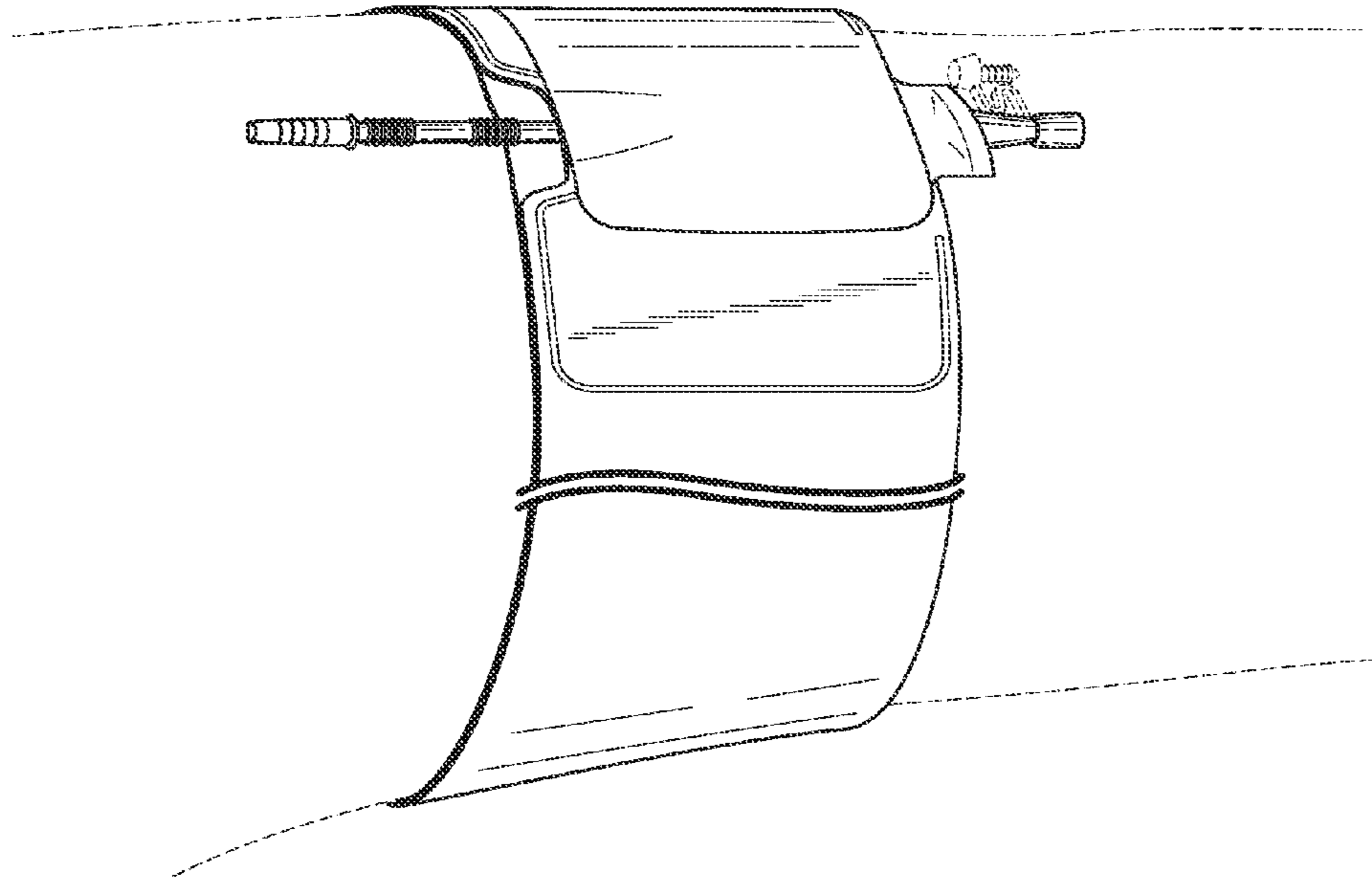


Fig. 8