



US00D684259S

(12) **United States Design Patent**  
**Mehta**

(10) **Patent No.:** **US D684,259 S**  
(45) **Date of Patent:** **\*\* Jun. 11, 2013**

(54) **AMPOULE WITH A TRANSLUCENT STRUCTURE**

(76) Inventor: **Ketan C. Mehta**, Santa Rosa, CA (US)

(\*\*) Term: **14 Years**

(21) Appl. No.: **29/399,729**

(22) Filed: **Aug. 17, 2011**

**Related U.S. Application Data**

(63) Continuation of application No. 13/183,387, filed on Jul. 14, 2011.

(51) **LOC (9) Cl.** ..... **24-02**

(52) **U.S. Cl.**  
USPC ..... **D24/115**

(58) **Field of Classification Search**  
USPC ..... D24/117, 115, 223, 226; 222/209, 222/207, 215, 541.6, 541.4, 541.9; D9/695-699, D9/529; 206/528; 604/3, 298; 215/47, 48; 128/200.24

See application file for complete search history.

(56) **References Cited**

**U.S. PATENT DOCUMENTS**

3,993,223	A *	11/1976	Welker et al.	.....	206/528
5,046,627	A *	9/1991	Hansen	.....	206/528
D362,390	S *	9/1995	Weiler	.....	D9/696
5,908,124	A	6/1999	Klauke et al.		
D436,526	S *	1/2001	Ko	.....	D9/696
D492,406	S *	6/2004	Masuda et al.	.....	D24/115
D492,407	S *	6/2004	Masuda et al.	.....	D24/115
D515,936	S *	2/2006	Ko	.....	D9/696
D517,207	S *	3/2006	Poynter	.....	D24/115

7,100,600	B2 *	9/2006	Loeffler et al.	.....	128/200.24
7,516,846	B2 *	4/2009	Hansen	.....	206/528
7,731,103	B2 *	6/2010	Amron	.....	222/215
D624,418	S *	9/2010	Sridhar	.....	D24/115
7,810,680	B2	10/2010	Stull et al.		
8,047,394	B2 *	11/2011	Hansen	.....	215/47
2002/0100741	A1	8/2002	Weiler		
2003/0146245	A1	8/2003	Weiler et al.		

**OTHER PUBLICATIONS**

Authorized officer Chang Yong Ryu, International Search Report and Written Opinion in PCT/US2011/046221, mailed Jun. 28, 2012, 7 pages.

\* cited by examiner

*Primary Examiner* — David Muller

(74) *Attorney, Agent, or Firm* — Fish & Richardson P.C.

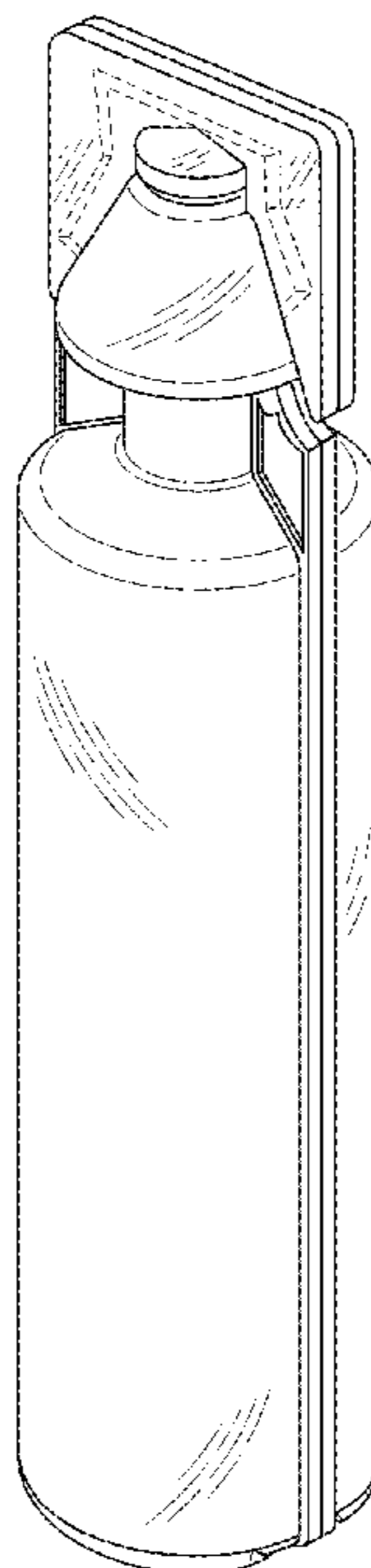
(57) **CLAIM**

The ornamental design for an ampoule with translucent structure, as shown and described.

**DESCRIPTION**

FIG. 1 is a perspective view of an ampoule of the design. FIG. 2 is a front view of the ampoule of FIG. 1, the rear view being a mirror image. FIG. 3 is a first side view of the ampoule of FIG. 1, the opposite side view being a mirror image. FIG. 4 is a top view of the ampoule of FIG. 1. FIG. 5 is a bottom view of the ampoule FIG. 1; and, FIG. 6 is a bottom perspective view of the ampoule FIG. 1. The broken line showing of parts of the drawings is included for the purpose of illustrating use and environment and forms no part of the claimed design.

**1 Claim, 5 Drawing Sheets**



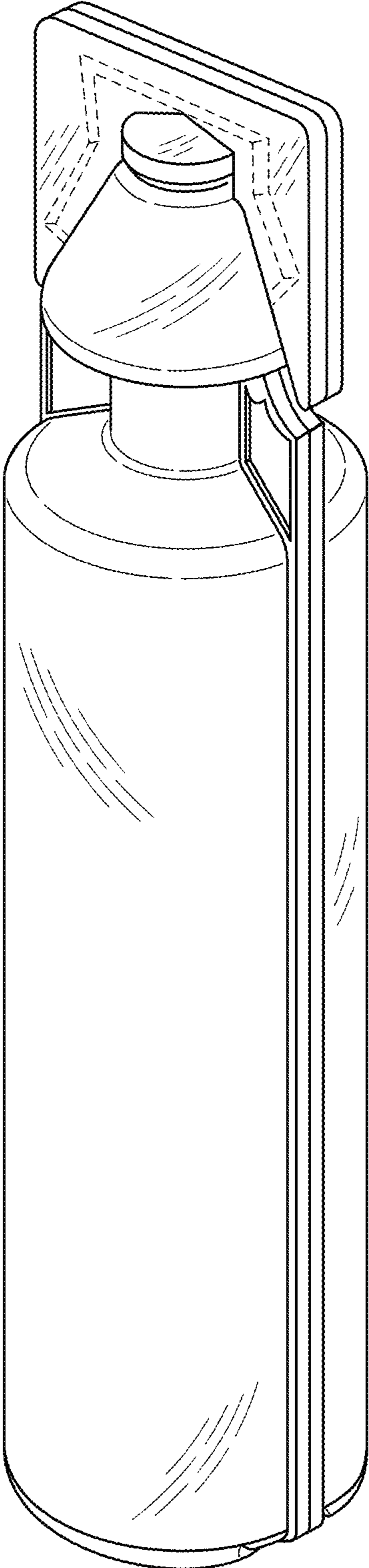


FIG. 1

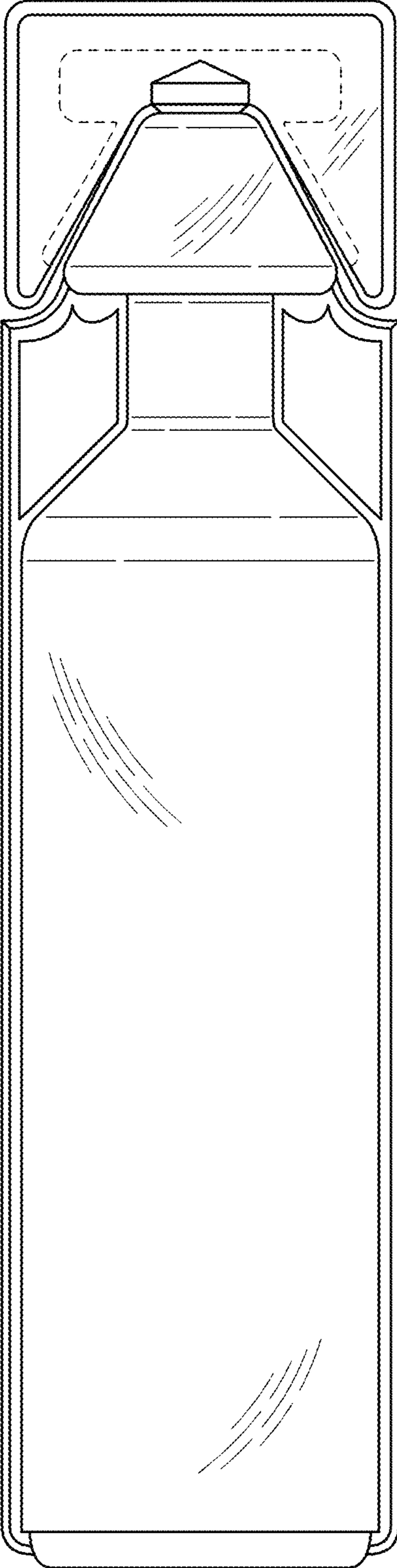


FIG. 2

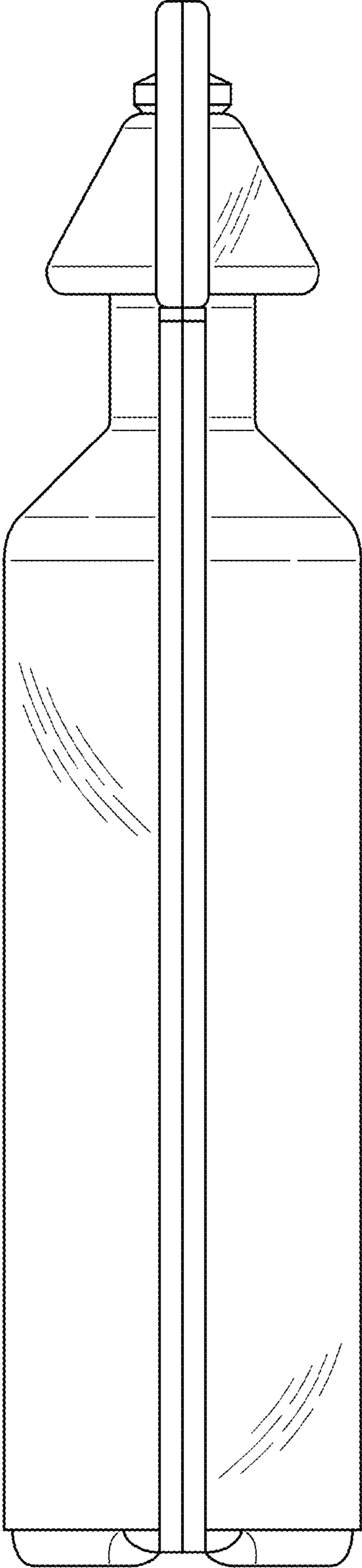


FIG. 3

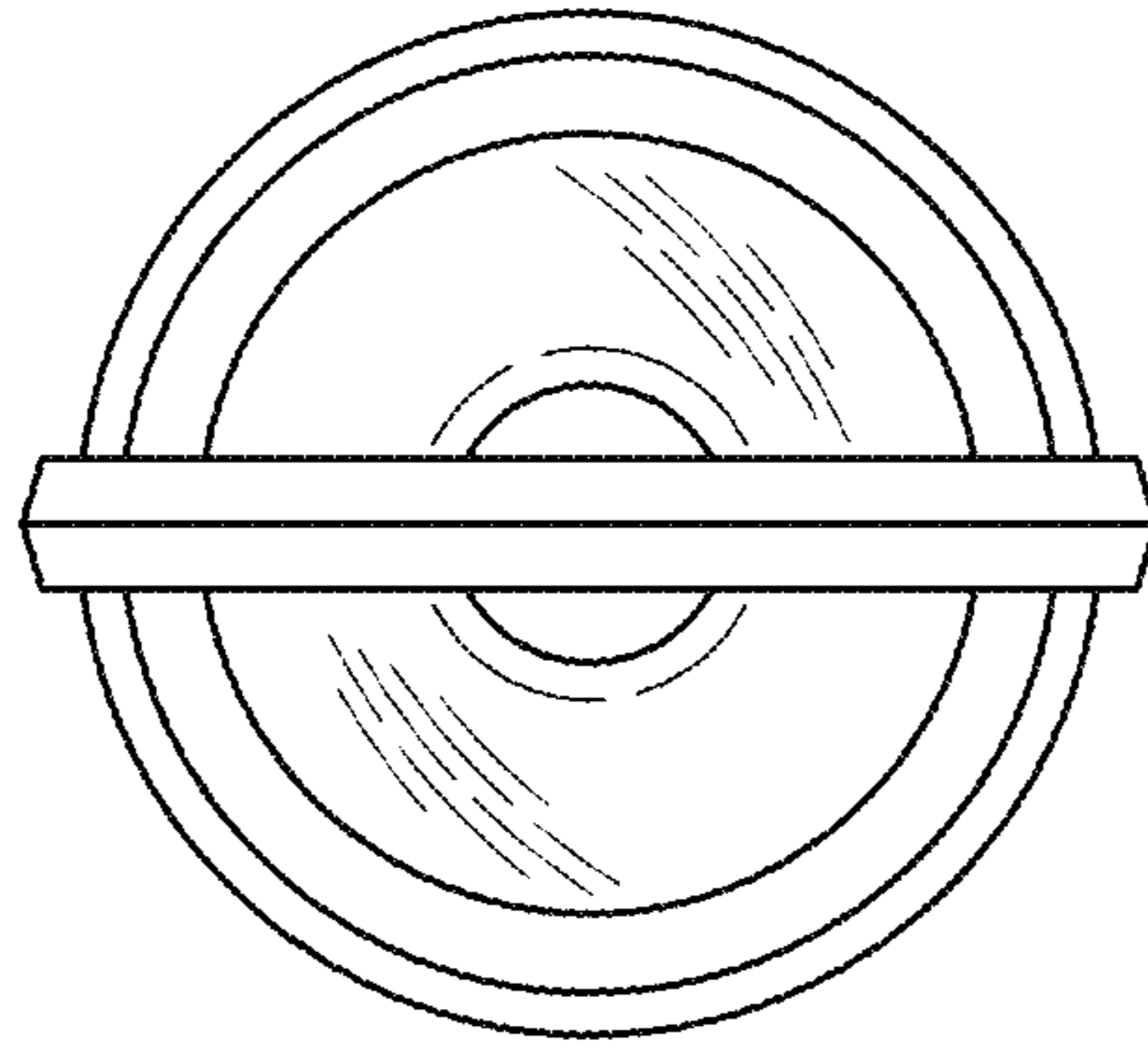


FIG. 4

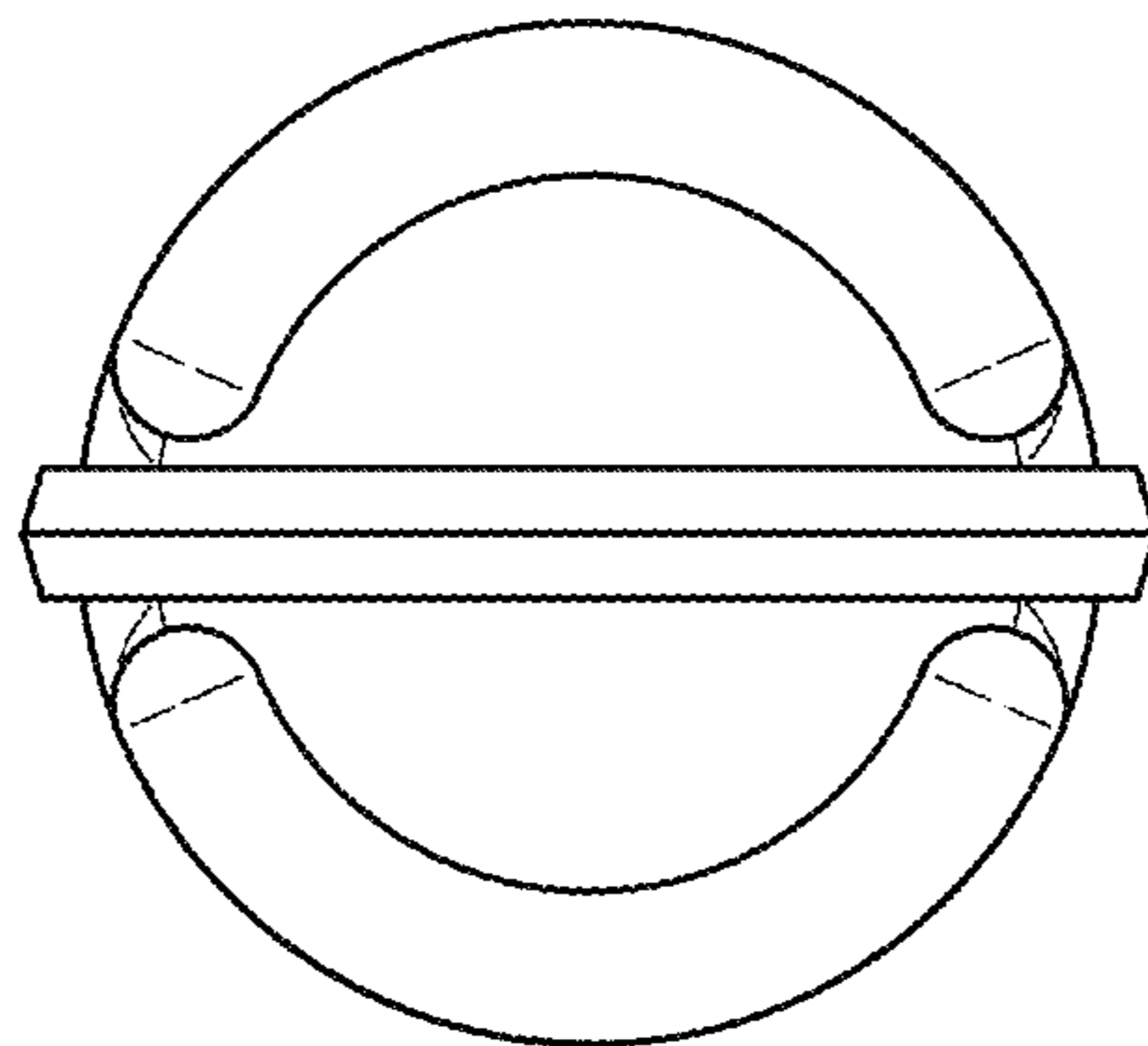


FIG. 5

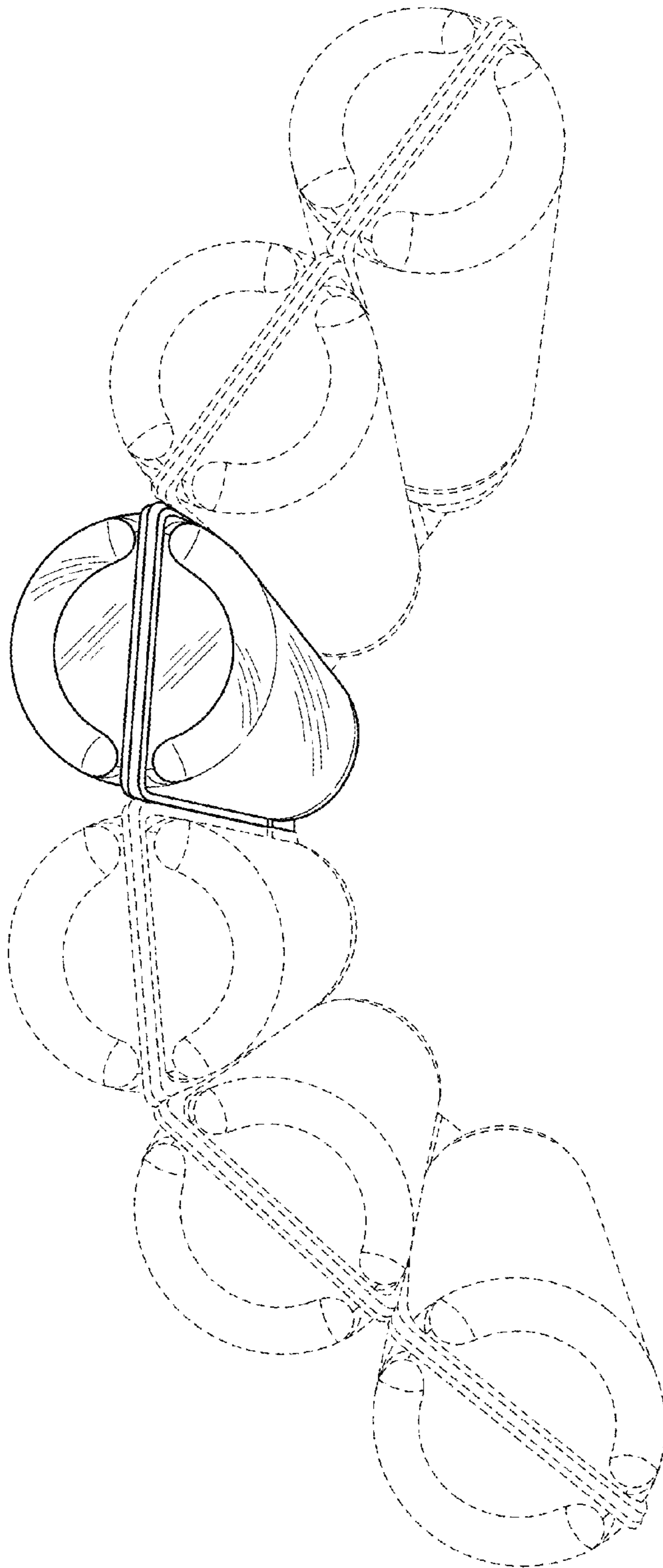


FIG. 6