



US00D684257S

(12) **United States Design Patent**
Clarke et al.

(10) **Patent No.:** **US D684,257 S**
(45) **Date of Patent:** **** Jun. 11, 2013**

(54) **FOREHEAD PAD ASSEMBLY FOR A NASAL MASK ASSEMBLY**

(75) Inventors: **Jaime Clarke**, New Castle, PA (US);
Joshua Greenberg, Pittsburgh, PA (US);
Maureen Harp, Freedom, PA (US)

(73) Assignee: **Koninklijke Philips Electronics N.V.**,
Eindhoven (NL)

(**) Term: **14 Years**

(21) Appl. No.: **29/406,721**

(22) Filed: **Nov. 18, 2011**

(30) **Foreign Application Priority Data**

May 26, 2011 (EM) 001869173-0002

(51) **LOC (9) Cl.** **29-02**

(52) **U.S. Cl.**
USPC **D24/110.1**

(58) **Field of Classification Search**
USPC D24/110, 110.1, 110.4; D19/36; D25/118;
D28/83; 128/206.21, 206.24, 206.28, 207.11,
128/207.13, 207.17, 857
See application file for complete search history.

(56) **References Cited**

U.S. PATENT DOCUMENTS

D280,245 S * 8/1985 Buchet D28/78
D309,777 S * 8/1990 Woods D23/403
5,035,009 A * 7/1991 Wingo et al. 2/414

D321,761 S * 11/1991 Shimizu D24/187
5,113,528 A * 5/1992 Burke et al. 2/9
D331,418 S * 12/1992 Winston D18/15
5,383,475 A * 1/1995 Austin 128/848
5,603,117 A * 2/1997 Hudner et al. 2/6.6
D405,636 S * 2/1999 Stewart D6/604
D460,100 S * 7/2002 Ho D16/330
D617,503 S * 6/2010 Szalkowski et al. D29/122
D631,411 S * 1/2011 Hiramori et al. D12/180
8,171,934 B1 * 5/2012 Ho 128/207.11

* cited by examiner

Primary Examiner — Ian Simmons

Assistant Examiner — Richelle Shelton

(74) *Attorney, Agent, or Firm* — Michael W. Haas

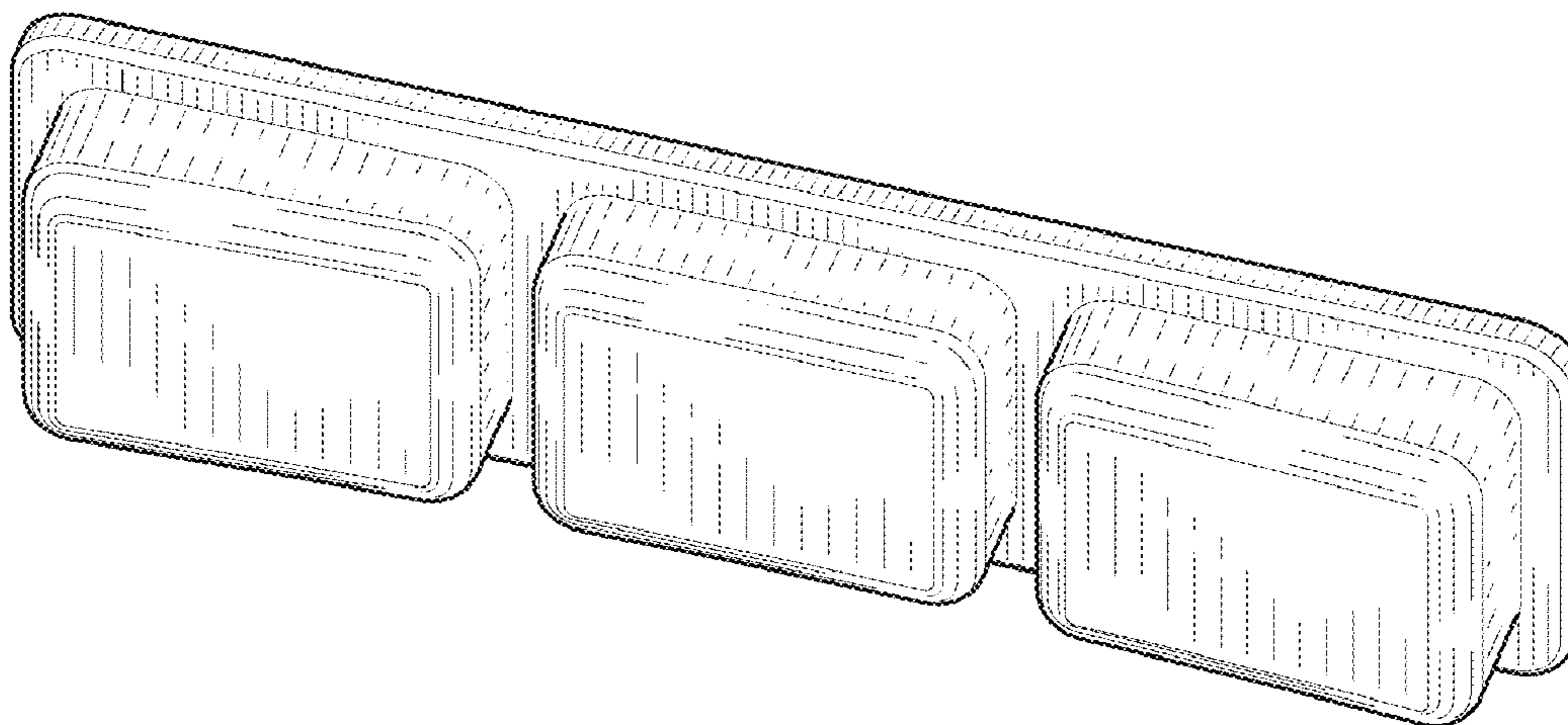
(57) **CLAIM**

The ornamental design for a forehead pad assembly for a nasal mask assembly, as shown.

DESCRIPTION

FIG. 1 is a perspective view of a forehead pad assembly for a nasal mask assembly showing our design;
FIG. 2 is a front elevational view thereof;
FIG. 3 is a rear elevational view thereof;
FIG. 4 is a left side elevational view thereof;
FIG. 5 is a right side elevational view thereof;
FIG. 6 is a top plan view thereof; and,
FIG. 7 is a bottom plan view thereof.

1 Claim, 3 Drawing Sheets



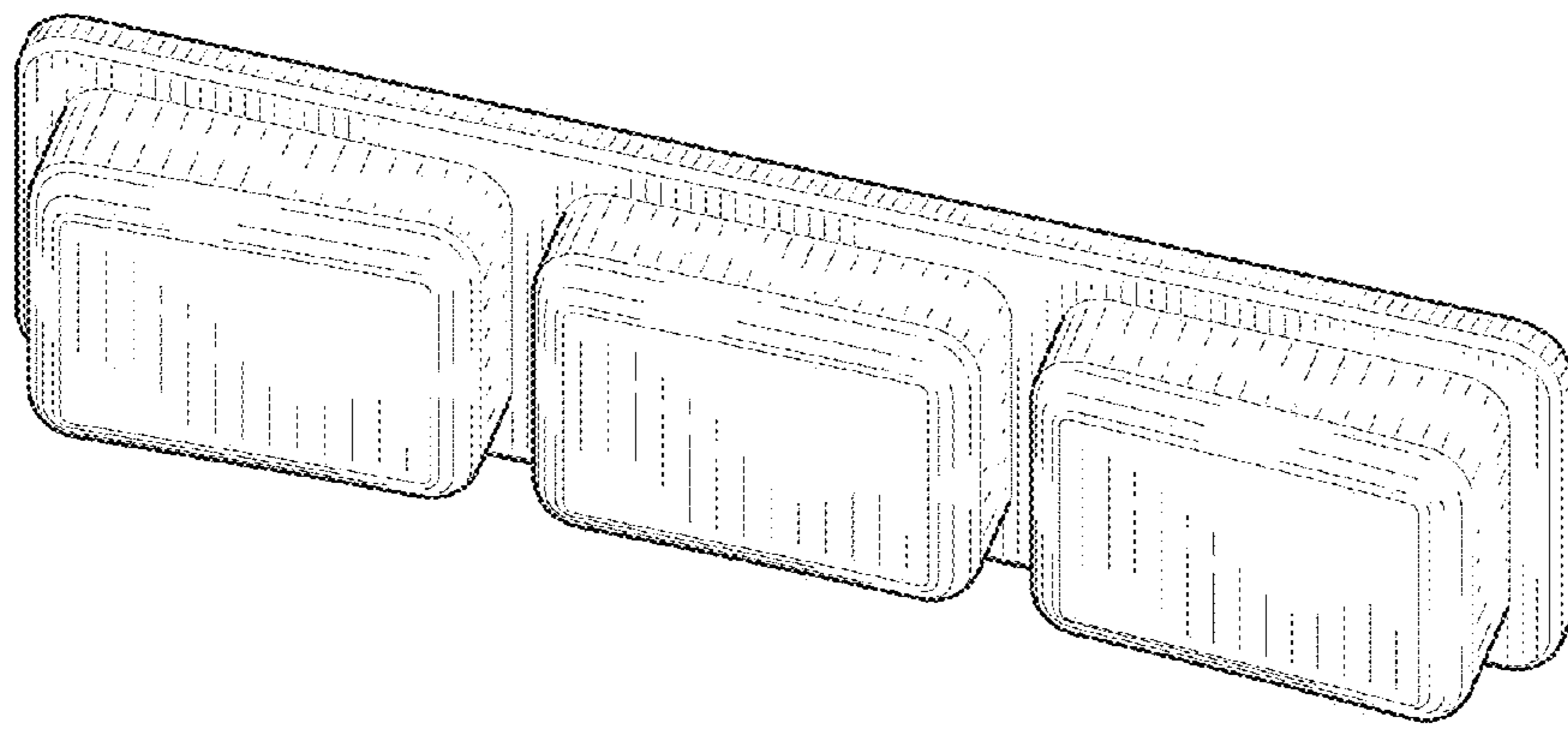


FIG. 1

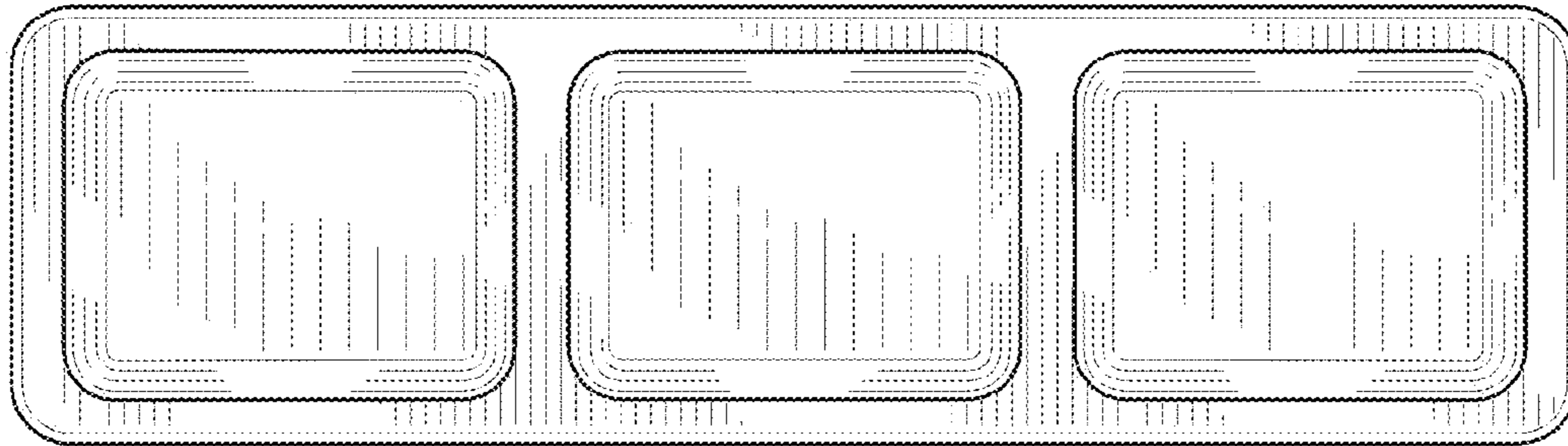


FIG. 2

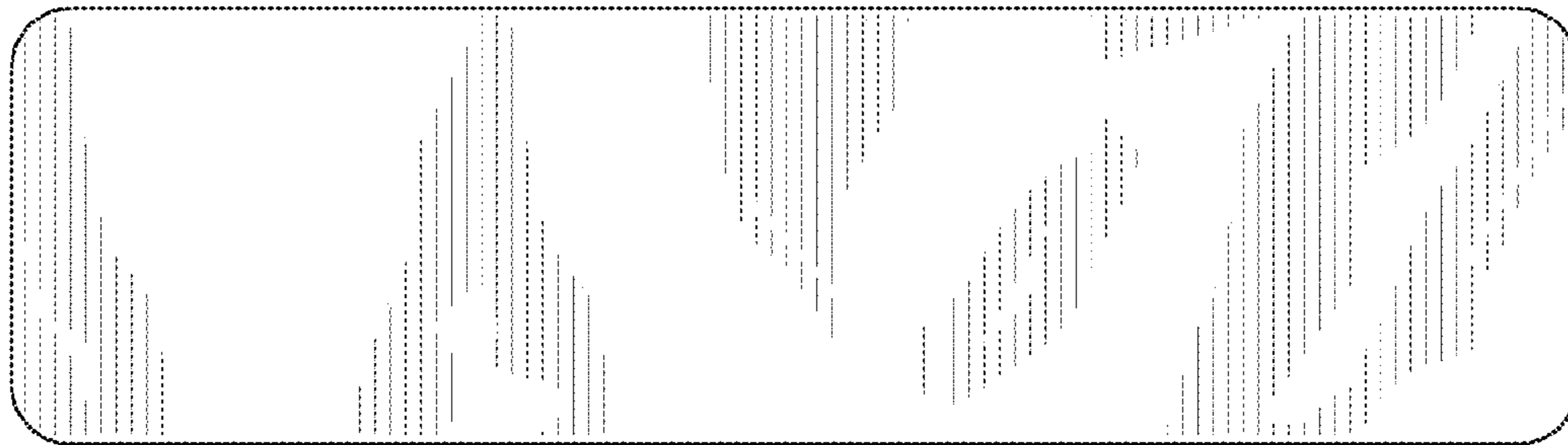


FIG. 3

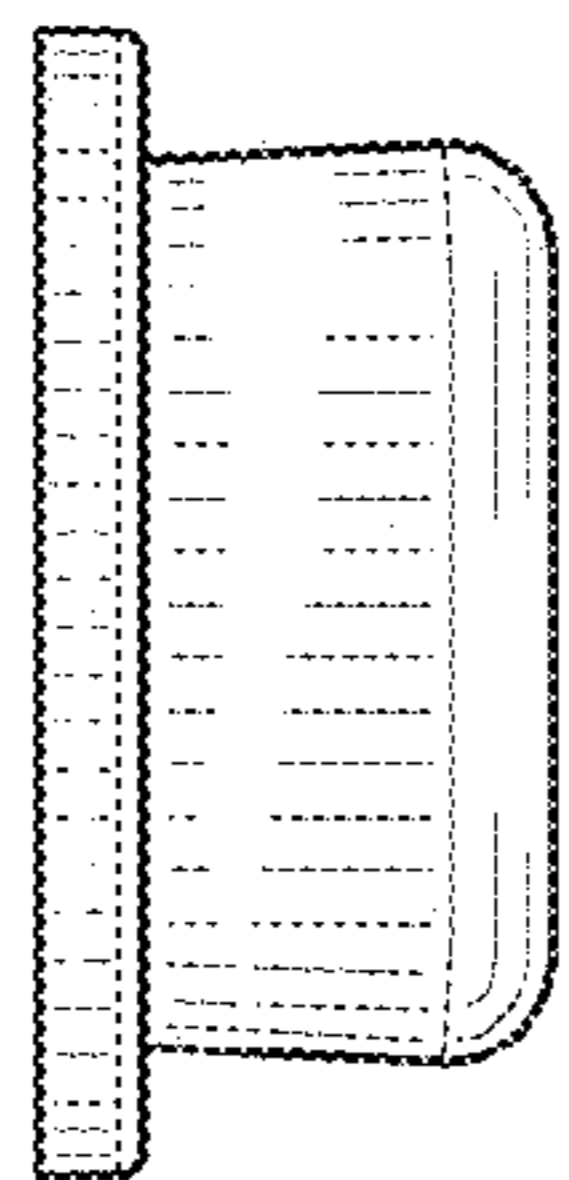


FIG. 4

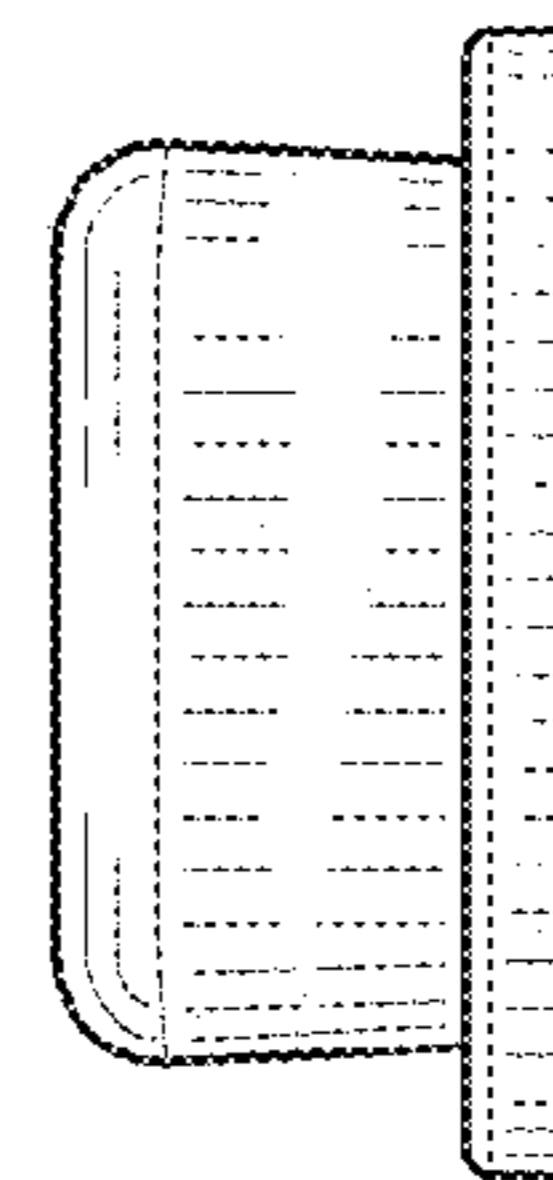


FIG. 5

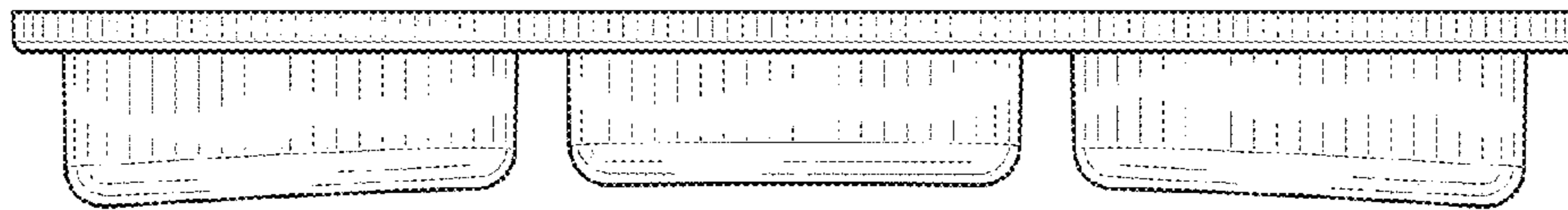


FIG. 6

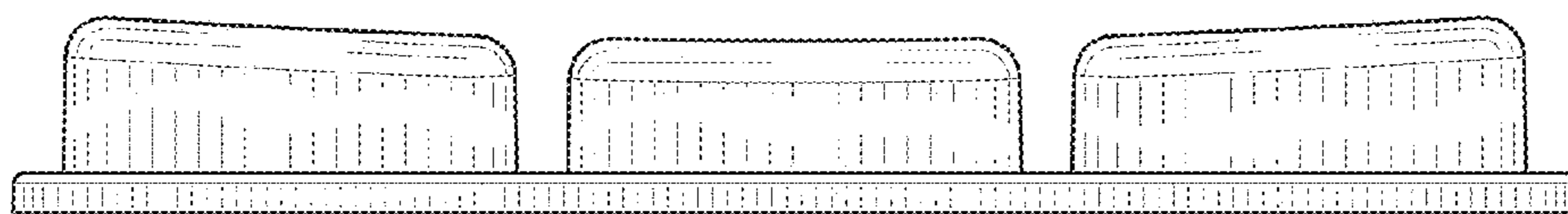


FIG. 7