



US00D684256S

(12) **United States Design Patent**
Menezes

(10) **Patent No.:** **US D684,256 S**
(45) **Date of Patent:** **** Jun. 11, 2013**

(54) **COVER FOR A RESPIRATORY CARTRIDGE**

(75) Inventor: **Ryan Menezes**, Los Angeles, CA (US)

(73) Assignee: **Moldex-Metric, Inc.**, Culver City, CA (US)

(**) Term: **14 Years**

(21) Appl. No.: **29/421,747**

(22) Filed: **Sep. 13, 2012**

(51) **LOC (9) Cl.** **29-02**

(52) **U.S. Cl.**
USPC **D24/110; D24/110.1**

(58) **Field of Classification Search**
USPC .. D24/110, 110.1-110.4, 162, 164; D23/209,
D23/366, 369; 55/DIG. 35; 128/201.25, 205.27,
128/205.29, 206.17
See application file for complete search history.

(56) **References Cited**

U.S. PATENT DOCUMENTS

D289,919 S * 5/1987 O'Neil, Jr. D23/366
5,935,426 A * 8/1999 Giordano et al. 210/87
D414,861 S * 10/1999 Metzger D24/110

D425,175 S * 5/2000 Spokoiny et al. D23/209
6,363,934 B2 * 4/2002 Metzger 128/206.16
D577,816 S * 9/2008 Ungar D24/110.1
D585,129 S * 1/2009 Huang D23/366
D604,834 S * 11/2009 Ungar D24/110.1
2005/0056124 A1 * 3/2005 Zulauf et al. 81/120
2006/0076012 A1 * 4/2006 Tanizawa et al. 128/201.25
2011/0220108 A1 * 9/2011 Persson 128/205.29

* cited by examiner

Primary Examiner — Ian Simmons

Assistant Examiner — Richelle Shelton

(74) *Attorney, Agent, or Firm* — Charles H. Schwartz

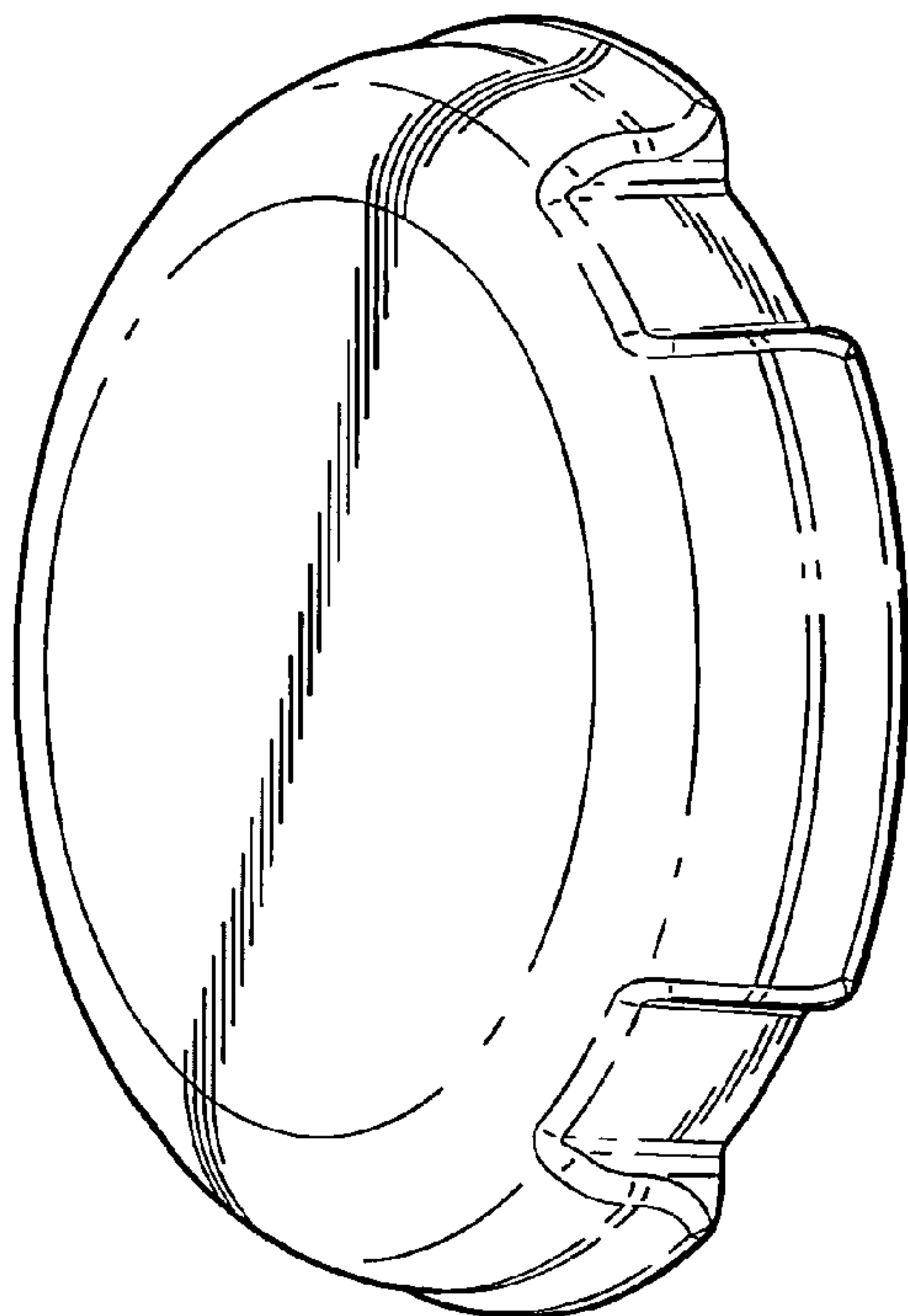
(57) **CLAIM**

The ornamental design for a cover for a respiratory cartridge, as shown and described.

DESCRIPTION

FIG. 1 is a front perspective view of a cover for a respiratory cartridge according to my new design, FIG. 2 is a front view thereof, FIG. 3 is both a right side view and a top view thereof; the left side view and bottom view being mirror images; and, FIG. 4 is a back view thereof.

1 Claim, 2 Drawing Sheets



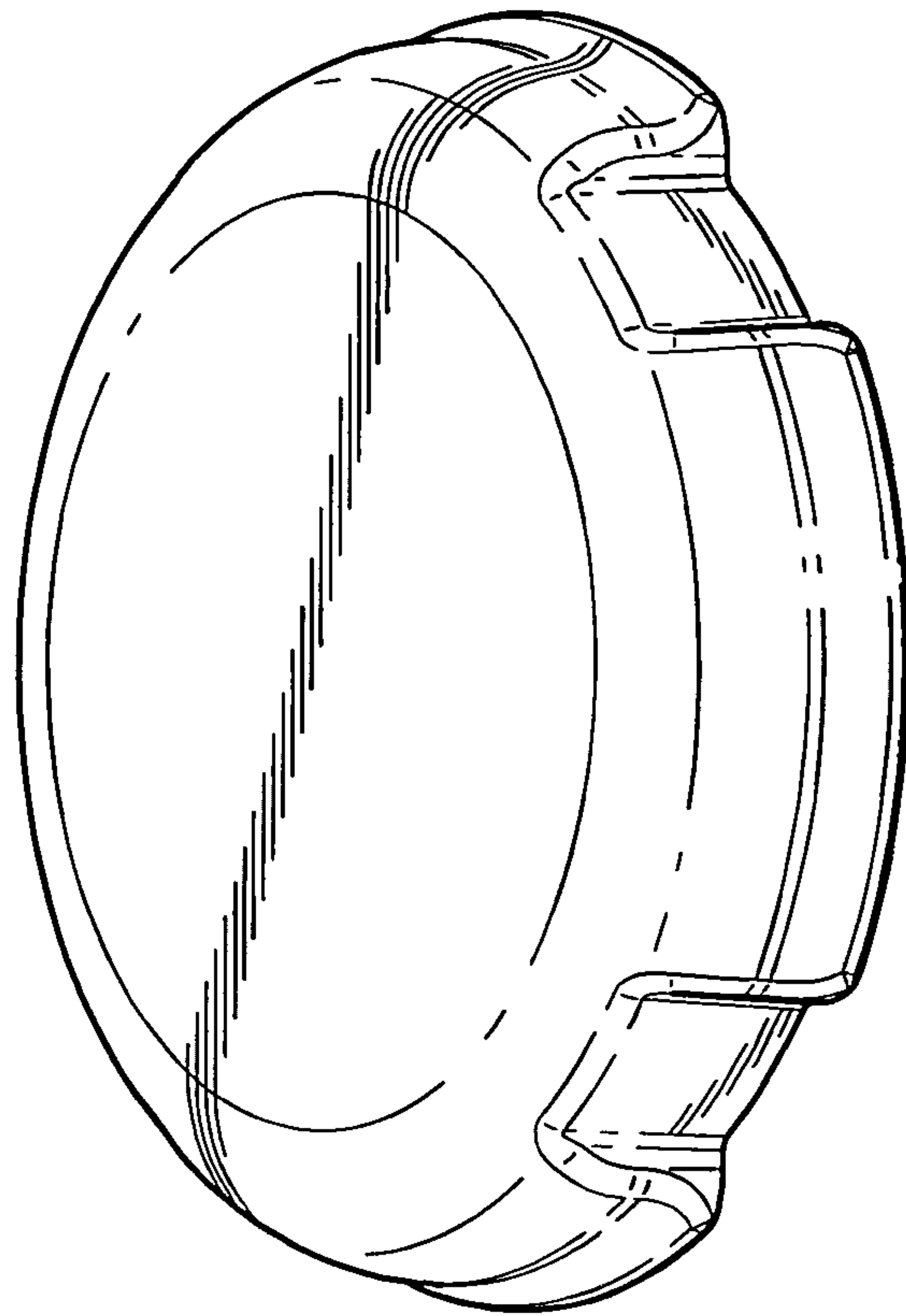


FIG. 1

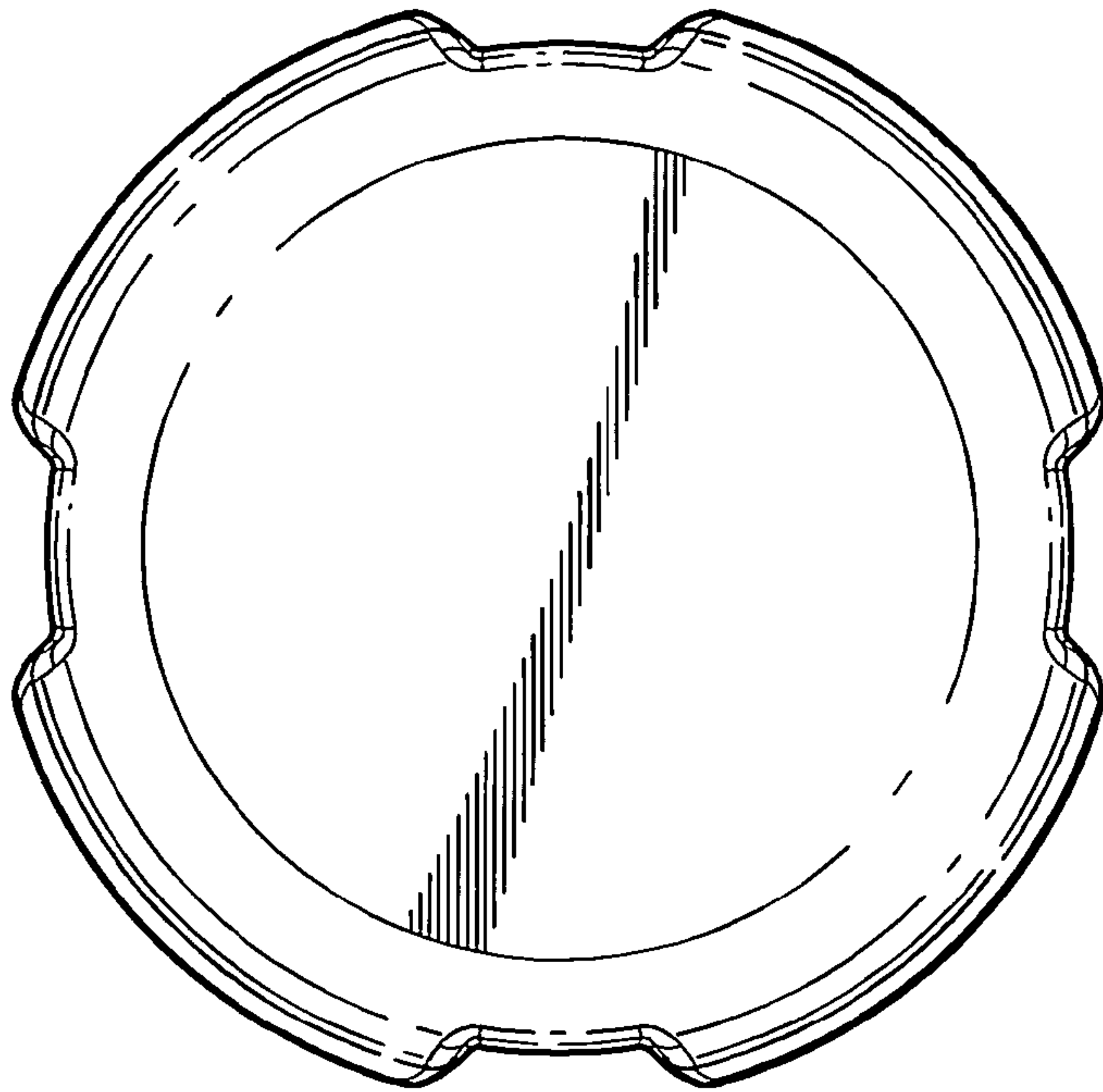


FIG. 2

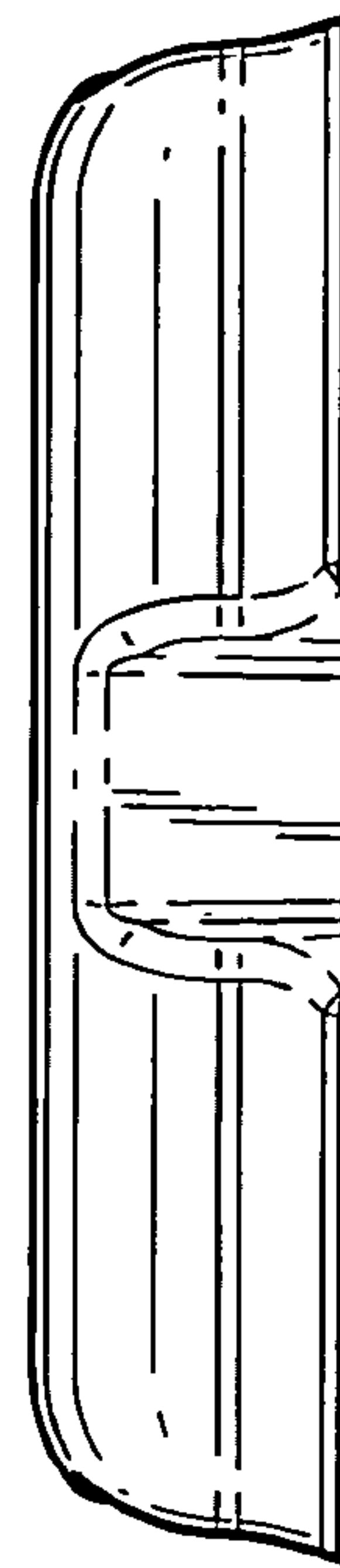


FIG. 3



FIG. 4