



US00D684255S

(12) **United States Design Patent**
Ritsche

(10) **Patent No.:** **US D684,255 S**

(45) **Date of Patent:** **** Jun. 11, 2013**

(54) **SUBLINGUAL FLUID PRODUCT DISPENSER**

(75) Inventor: **Stefan Ritsche**, Eigeltingen (DE)

(73) Assignee: **Valois SAS**, Le Neubourg (FR)

(**) Term: **14 Years**

(21) Appl. No.: **29/403,370**

(22) Filed: **Oct. 5, 2011**

(30) **Foreign Application Priority Data**

Apr. 6, 2011 (EP) 001846700-0001

(51) **LOC (9) Cl.** **29-02**

(52) **U.S. Cl.**
USPC **D24/110**

(58) **Field of Classification Search**
USPC D24/110, 164; D9/682; 128/200.11,
128/200.23, 205.23; 222/82; 239/337
See application file for complete search history.

(56) **References Cited**

U.S. PATENT DOCUMENTS

D308,100 S * 5/1990 Bishop et al. D24/110
D313,673 S * 1/1991 Karcher D24/110

D344,796 S * 3/1994 Sochon et al. D24/110
D401,323 S * 11/1998 Ritsche D24/110
D433,123 S * 10/2000 Sheppard et al. D24/110
6,789,750 B1 * 9/2004 Heldt 239/490
D539,164 S * 3/2007 Decottignies et al. D9/684
7,878,374 B2 * 2/2011 Decottignies et al. 222/207

* cited by examiner

Primary Examiner — Ian Simmons

Assistant Examiner — Richelle Shelton

(74) *Attorney, Agent, or Firm* — Sughrue Mion, PLLC

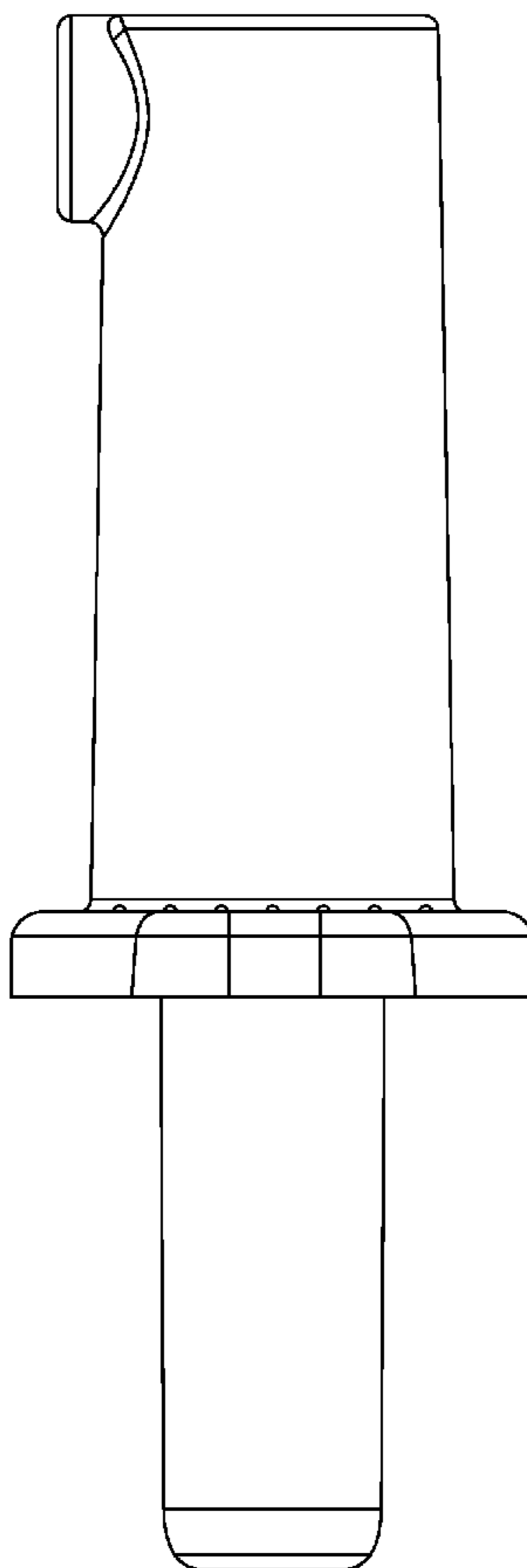
(57) **CLAIM**

The ornamental design for a sublingual fluid product dispenser, as shown and described.

DESCRIPTION

FIG. 1 is a right side view of a sublingual fluid product dispenser;
FIG. 2 is a left side view thereof;
FIG. 3 is a front view thereof;
FIG. 4 is a rear view thereof;
FIG. 5 is a bottom view thereof; and,
FIG. 6 is a top view.

1 Claim, 6 Drawing Sheets



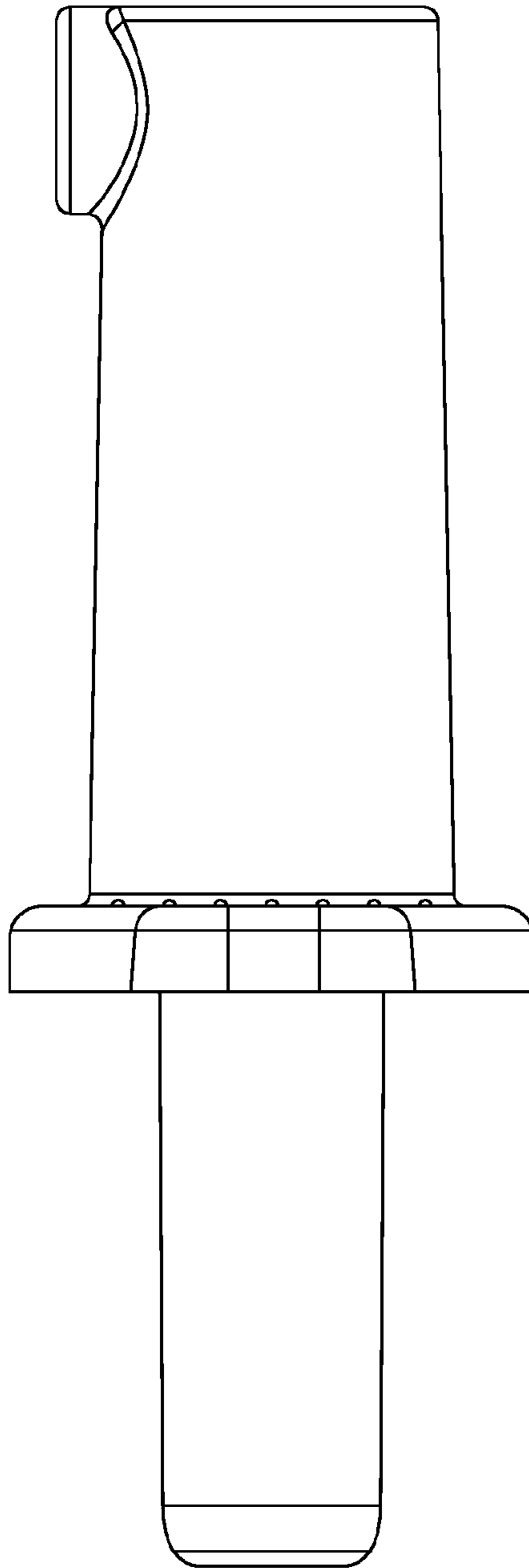


FIG. 1

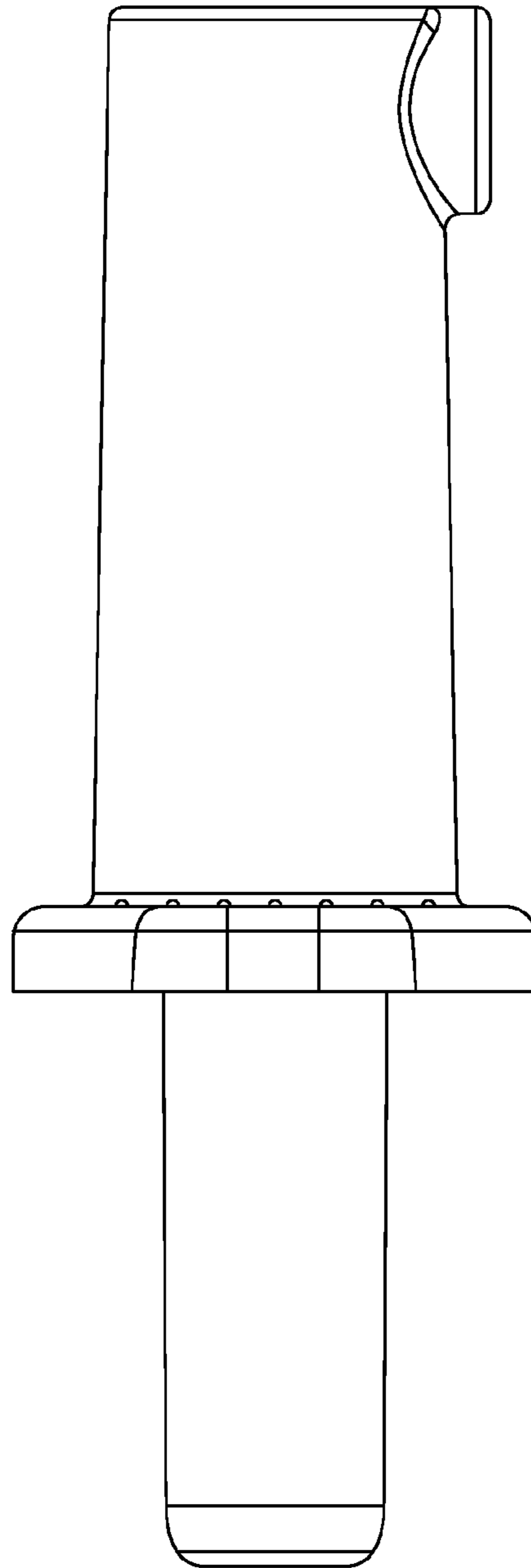


FIG. 2

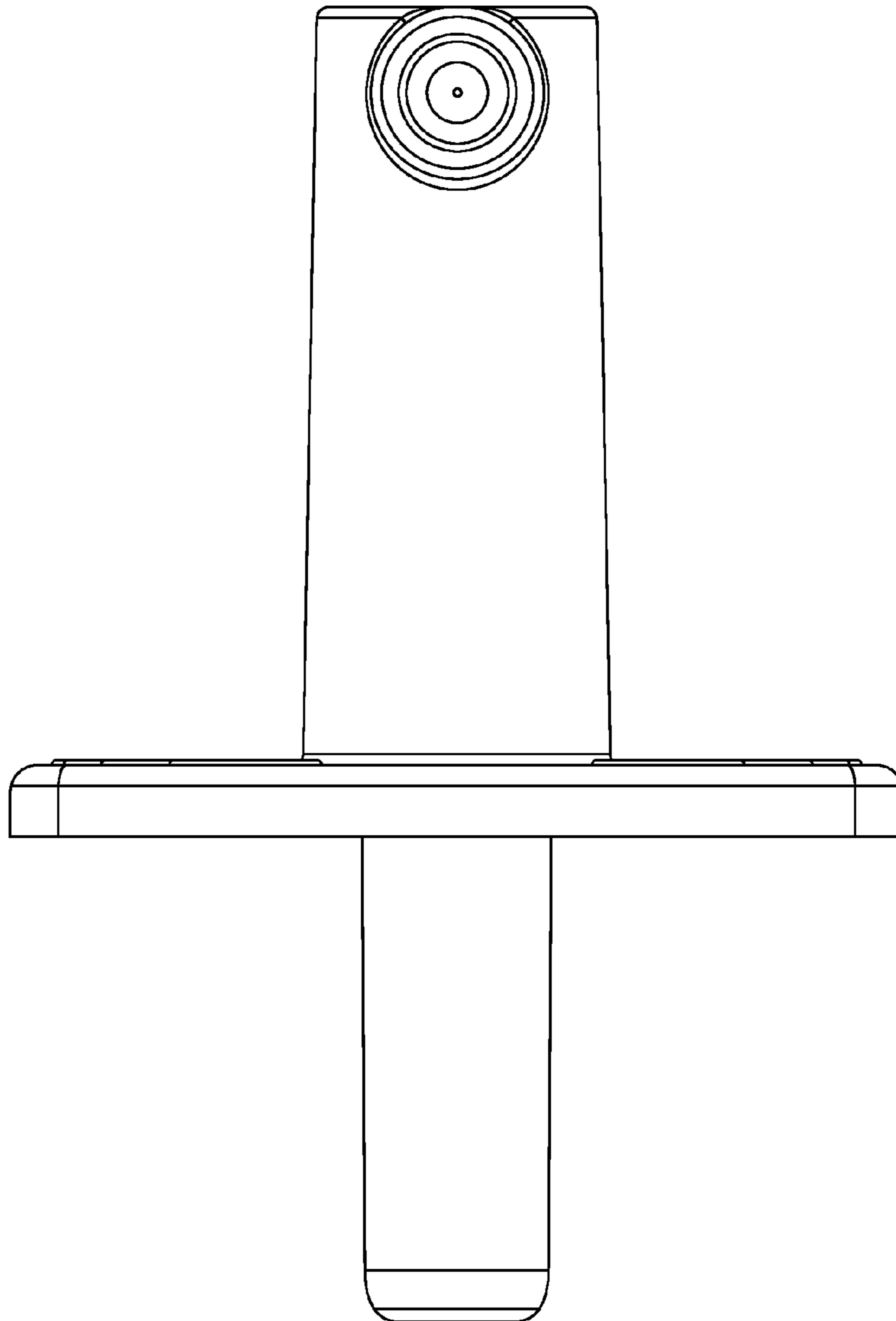


FIG. 3

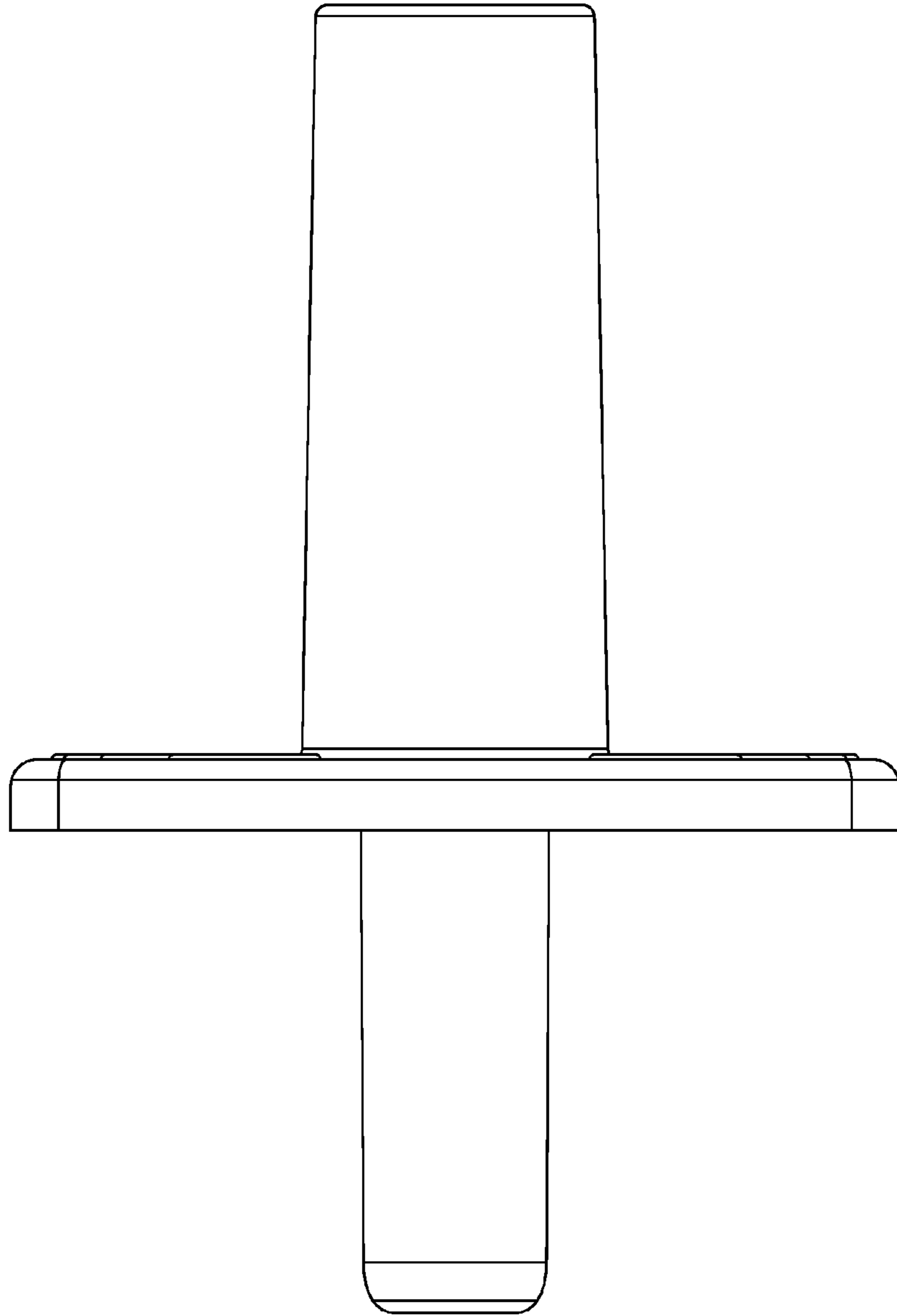


FIG. 4

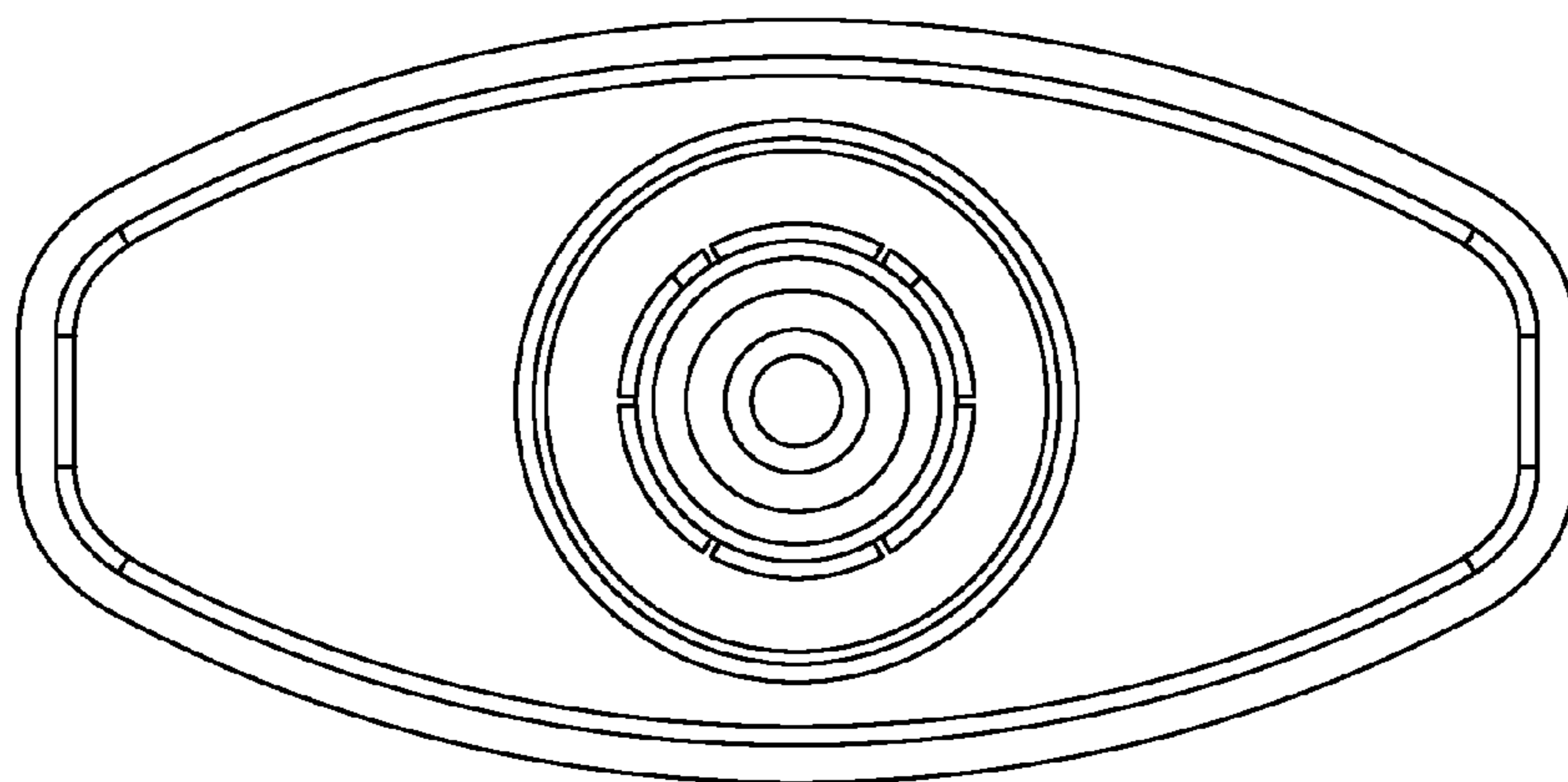


FIG. 5

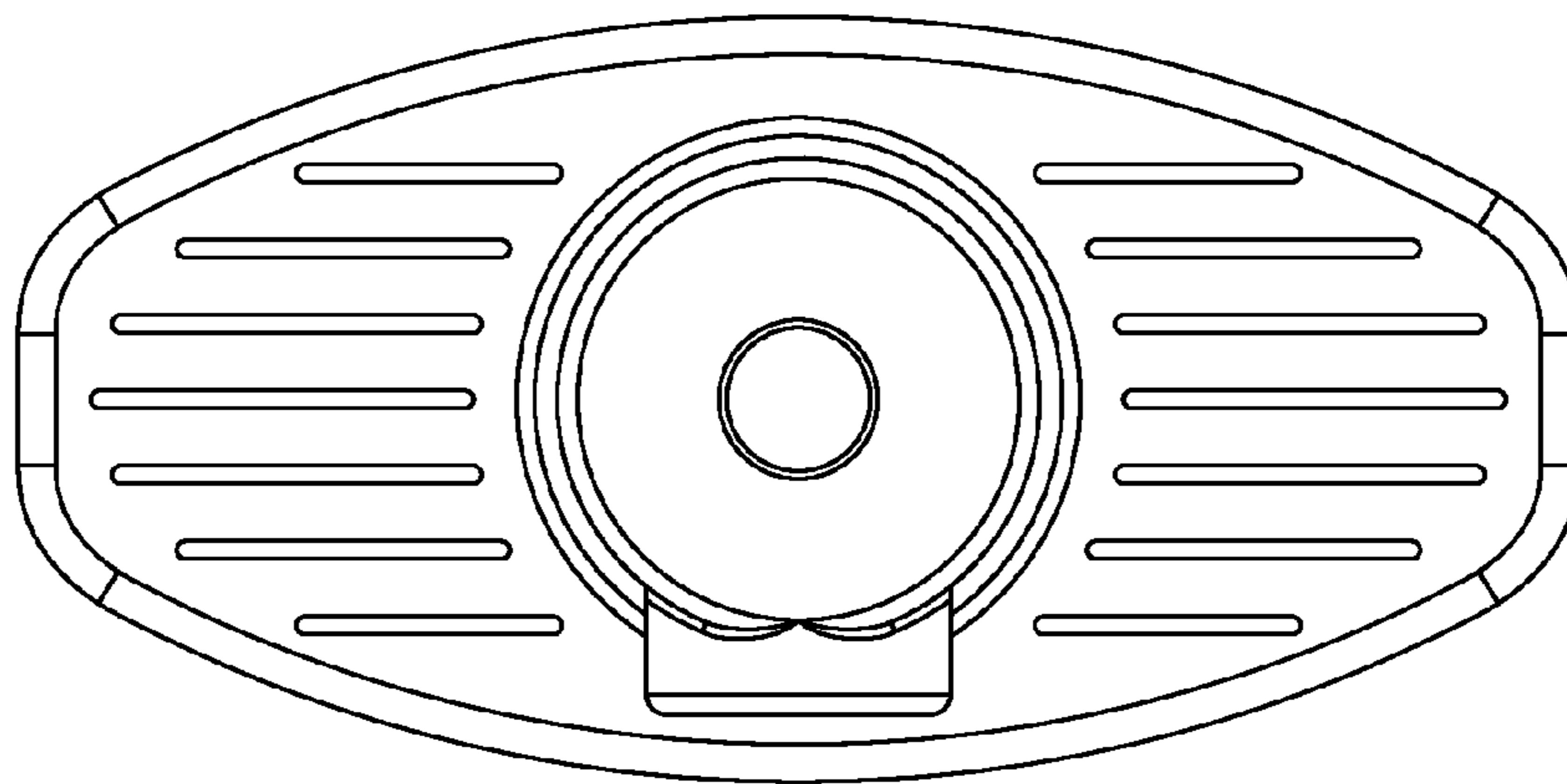


FIG. 6