



US00D684252S

(12) **United States Design Patent**
Okada et al.

(10) **Patent No.:** **US D684,252 S**
(45) **Date of Patent:** **** Jun. 11, 2013**

(54) **VIBRATION CONTROL ELEMENT FOR A COOLING FAN**

(75) Inventors: **Takayuki Okada**, Tokyo (JP);
Ryousuke Kawase, Kawasaki (JP)

(73) Assignee: **NEC Display Solutions, Ltd.**, Tokyo (JP)

(**) Term: **14 Years**

(21) Appl. No.: **29/411,957**

(22) Filed: **Jan. 27, 2012**

(30) **Foreign Application Priority Data**

Jul. 29, 2011 (JP) 2011-17540

(51) **LOC (9) Cl.** **23-04**

(52) **U.S. Cl.**
USPC **D23/411**

(58) **Field of Classification Search**
USPC D23/314, 328, 332, 341, 355, 370,
D23/371, 386, 411; D8/312, 382, 386, 397;
411/377; 403/168; 415/119; 361/685, 687,
361/695
See application file for complete search history.

(56) **References Cited**

U.S. PATENT DOCUMENTS

D23,917 S * 12/1894 Lane et al. D8/397
1,867,354 A * 7/1932 Dickson 411/377
D205,374 S * 7/1966 Mushlin D8/397

D273,561 S * 4/1984 Ozaki et al. D8/397
D424,186 S * 5/2000 Dodson D23/370
6,351,380 B1 * 2/2002 Curlee et al. 361/695
D520,856 S * 5/2006 Osiecki et al. D8/312
D547,172 S * 7/2007 Kent et al. D8/397
7,384,210 B2 * 6/2008 Sura et al. 403/168
7,488,152 B2 * 2/2009 Liang 415/119
7,522,415 B2 * 4/2009 Fan et al. 361/695
7,684,191 B1 * 3/2010 Willis et al. 361/695
7,748,955 B2 * 7/2010 Lee 415/119
2002/0051338 A1 * 5/2002 Jiang et al. 361/685
2007/0008698 A1 * 1/2007 Kao 361/687

* cited by examiner

Primary Examiner — Caron D Veynar

Assistant Examiner — Martie K Holtje

(74) *Attorney, Agent, or Firm* — Sughrue Mion, PLLC

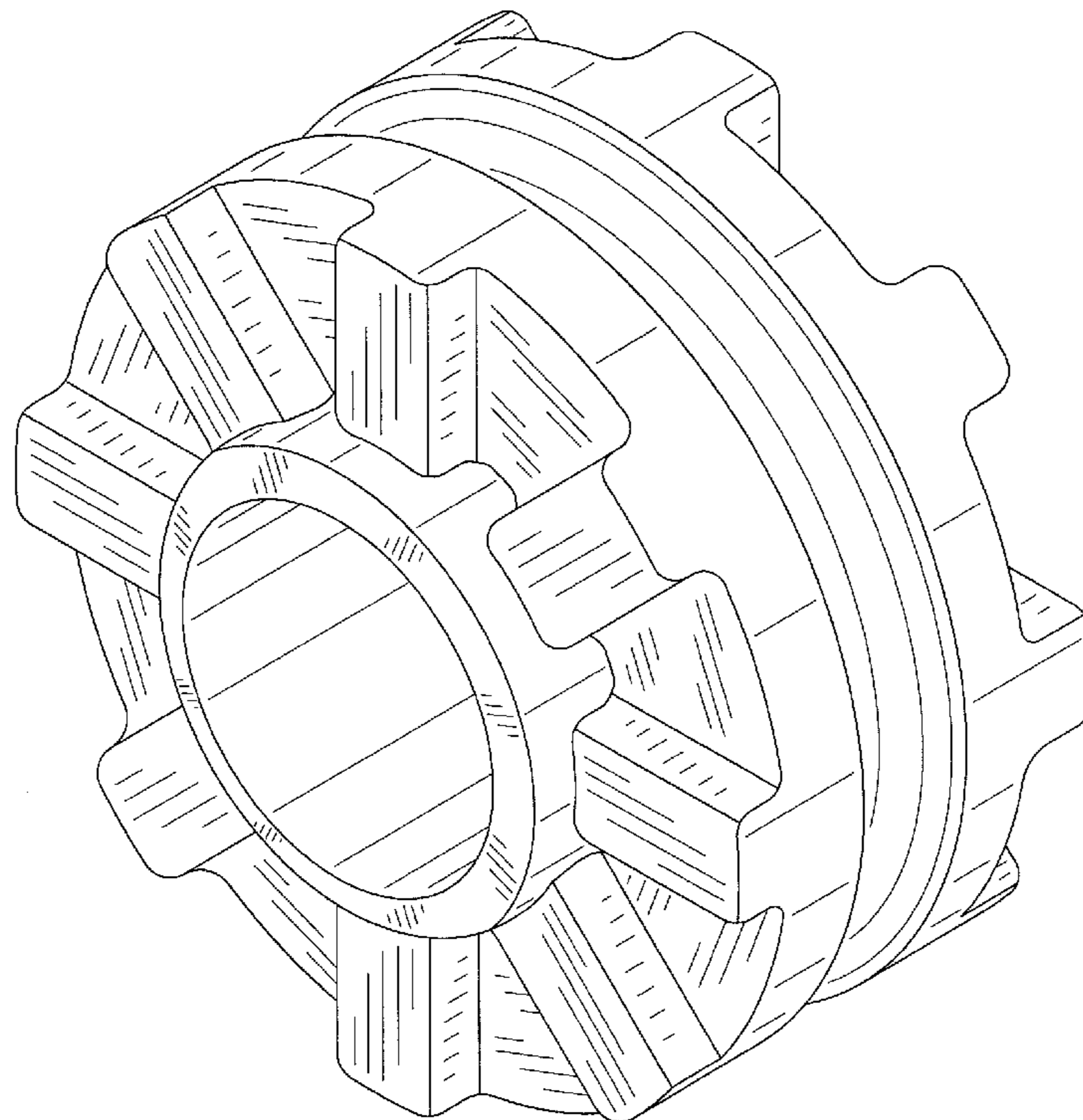
(57) **CLAIM**

The ornamental design for a vibration control element for a cooling fan, as shown.

DESCRIPTION

FIG. 1 is a front, left side, top perspective view of a vibration control element for a cooling fan showing our new design; FIG. 2 is a front elevational view thereof; FIG. 3 is a rear elevational view thereof; FIG. 4 is a left side view thereof; FIG. 5 is a right side view thereof; FIG. 6 is a top plan view thereof; and, FIG. 7 is a bottom plan view thereof.

1 Claim, 7 Drawing Sheets



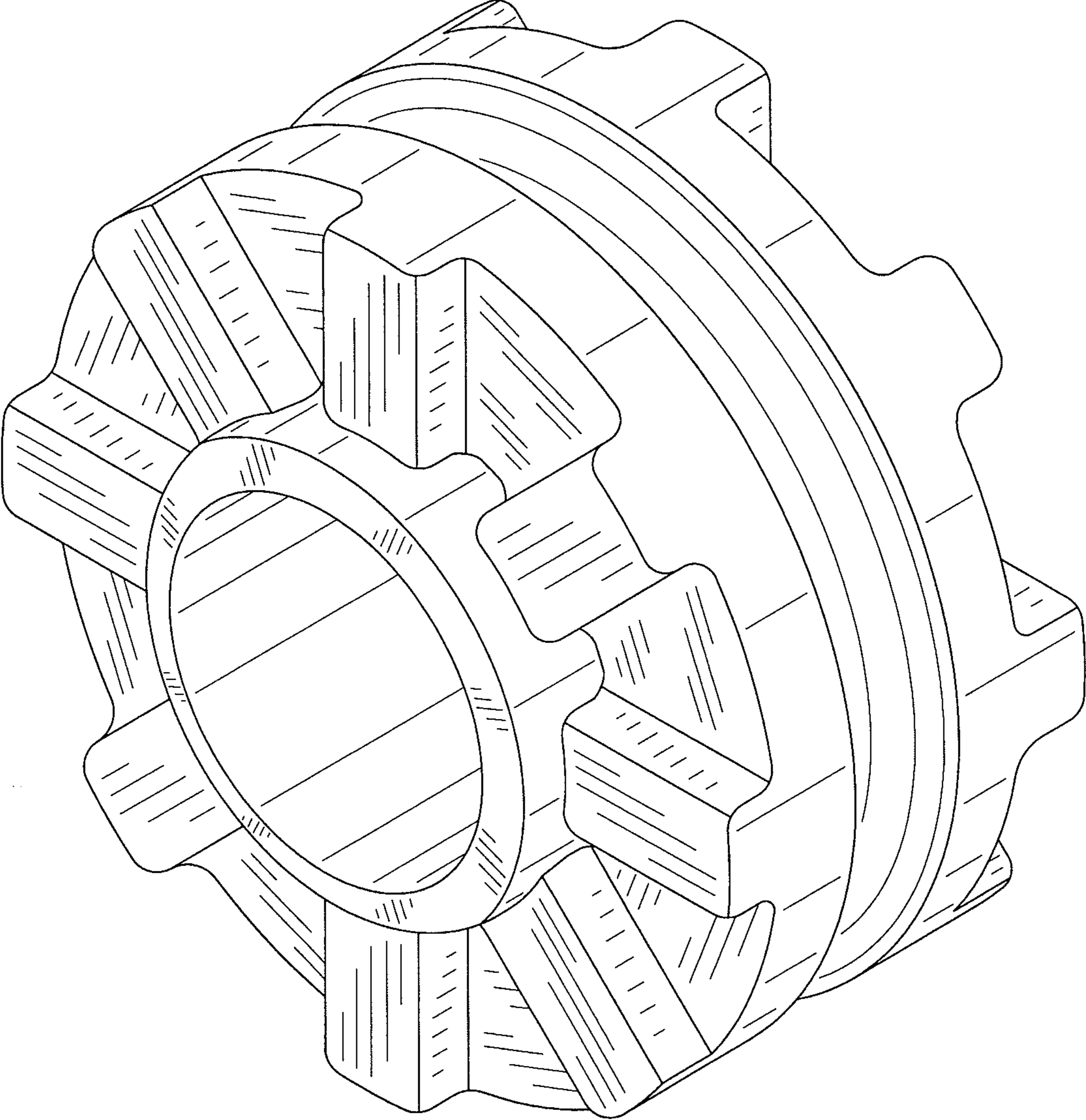


FIG. 1

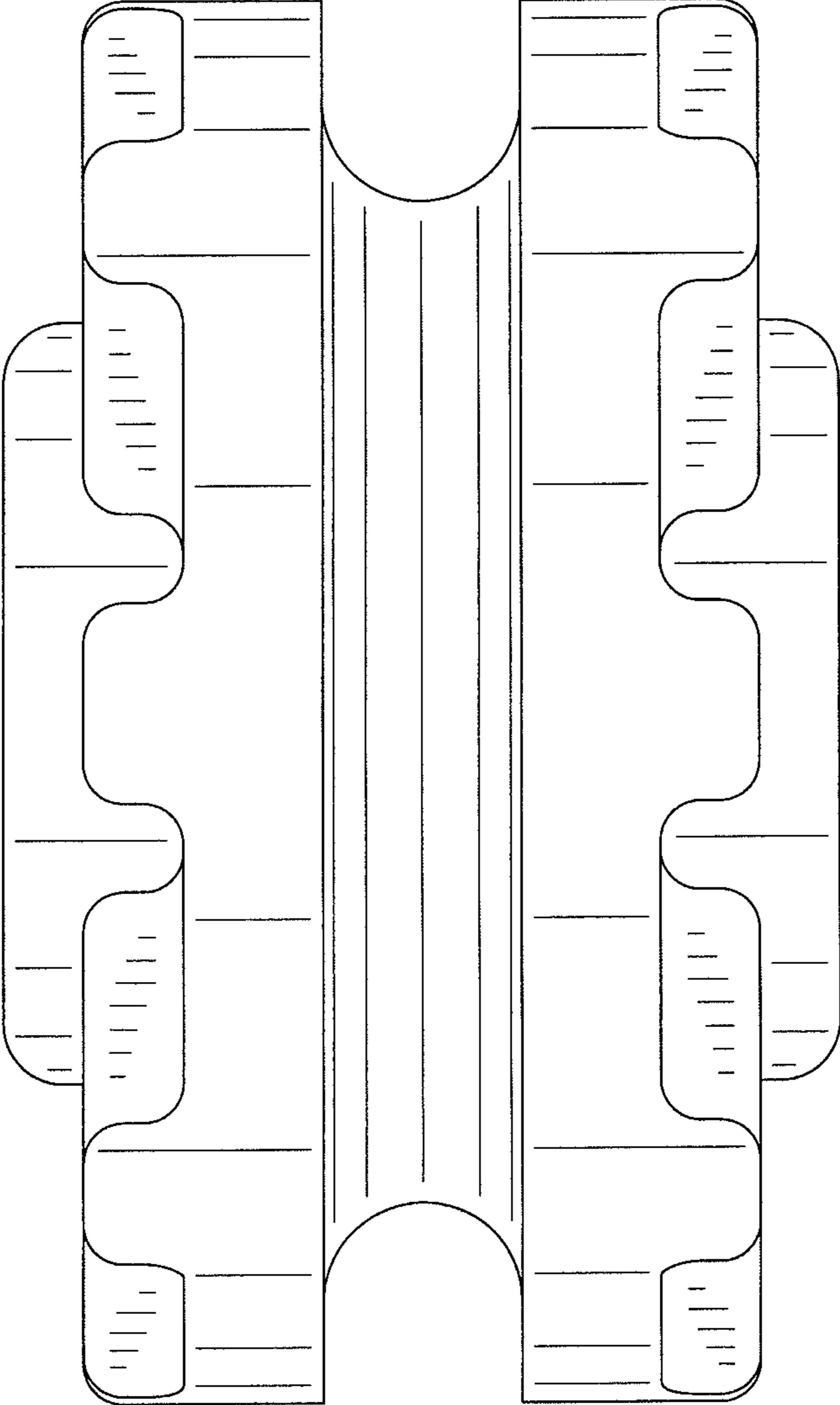


FIG. 2

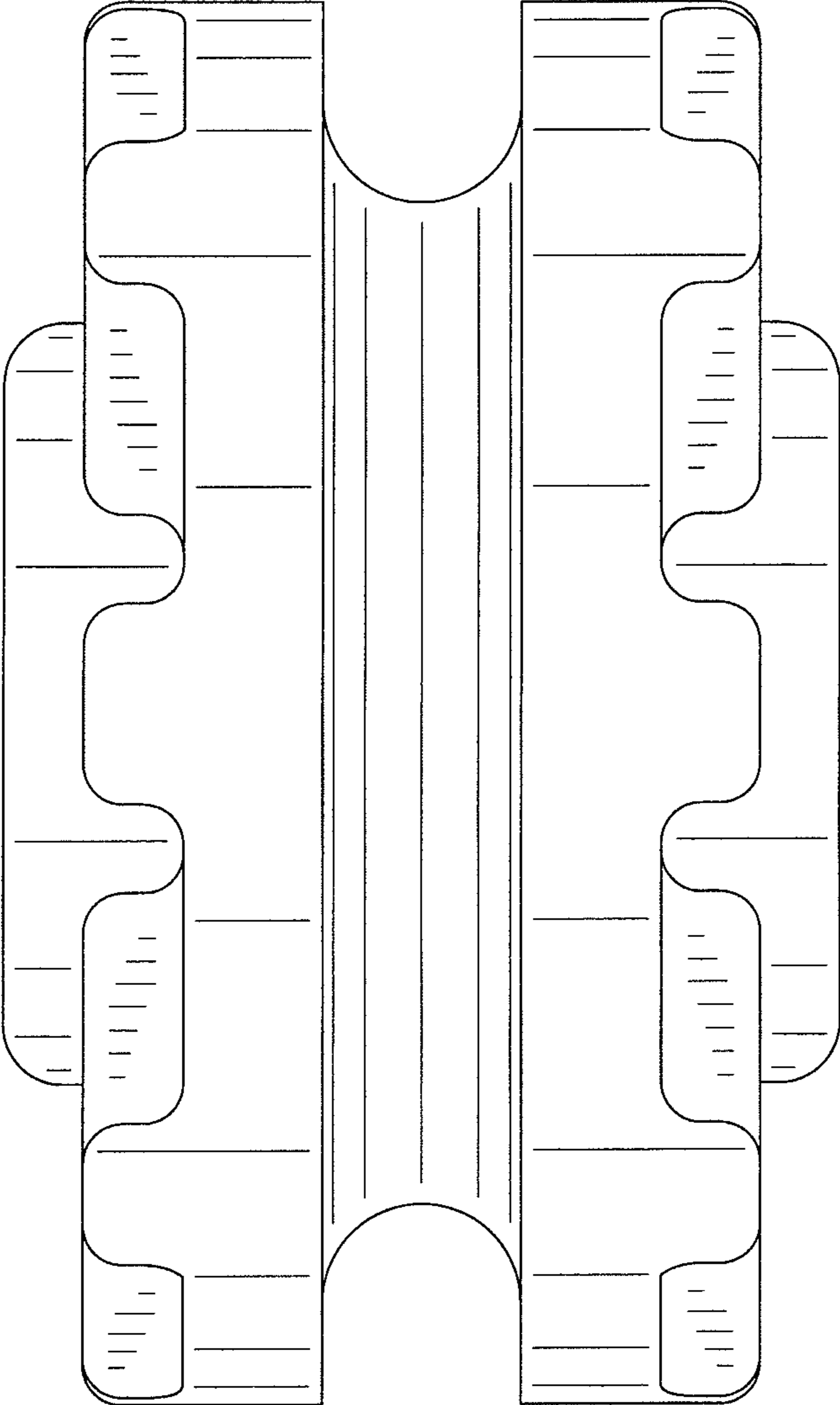


FIG. 3

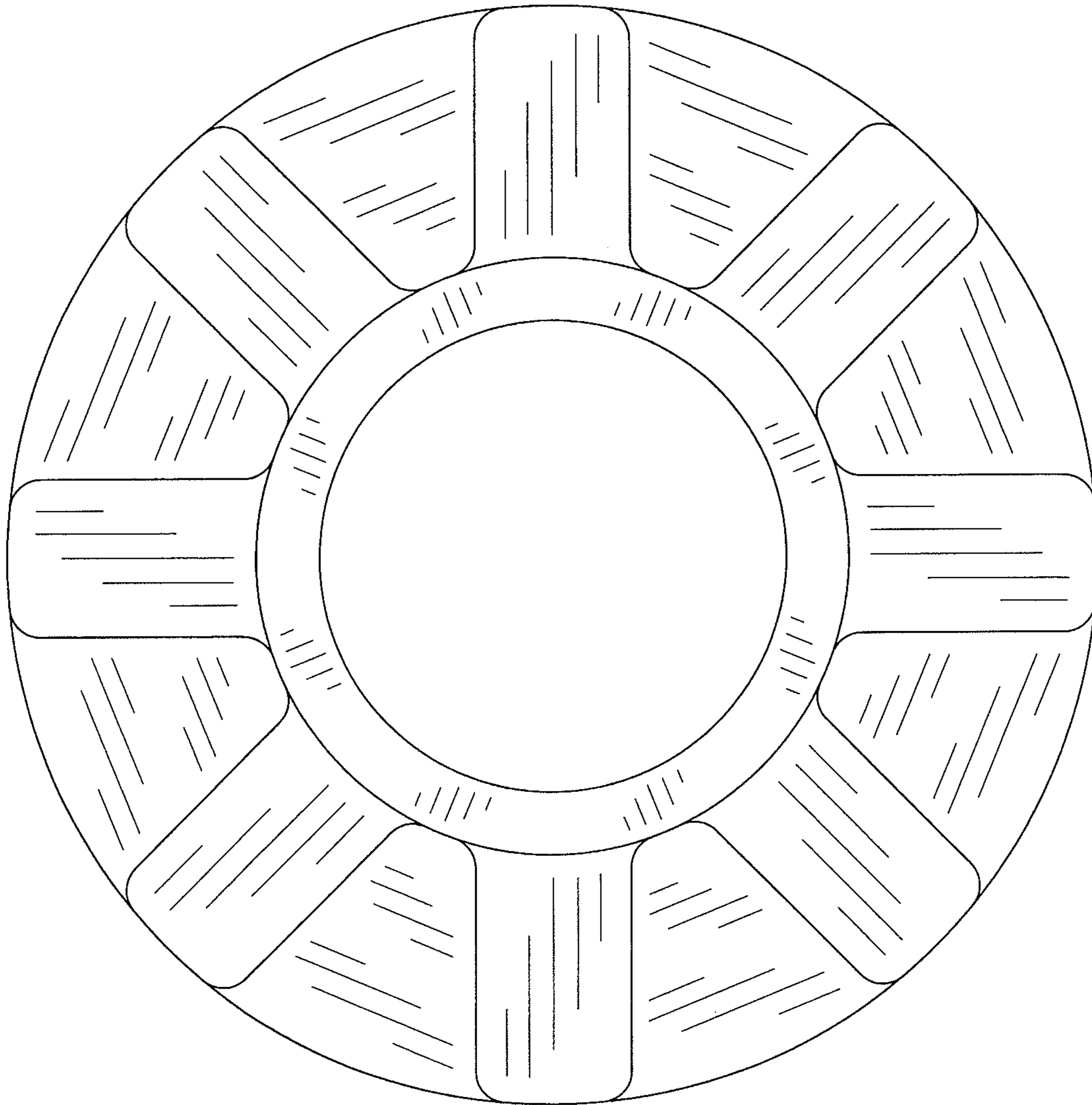


FIG. 4

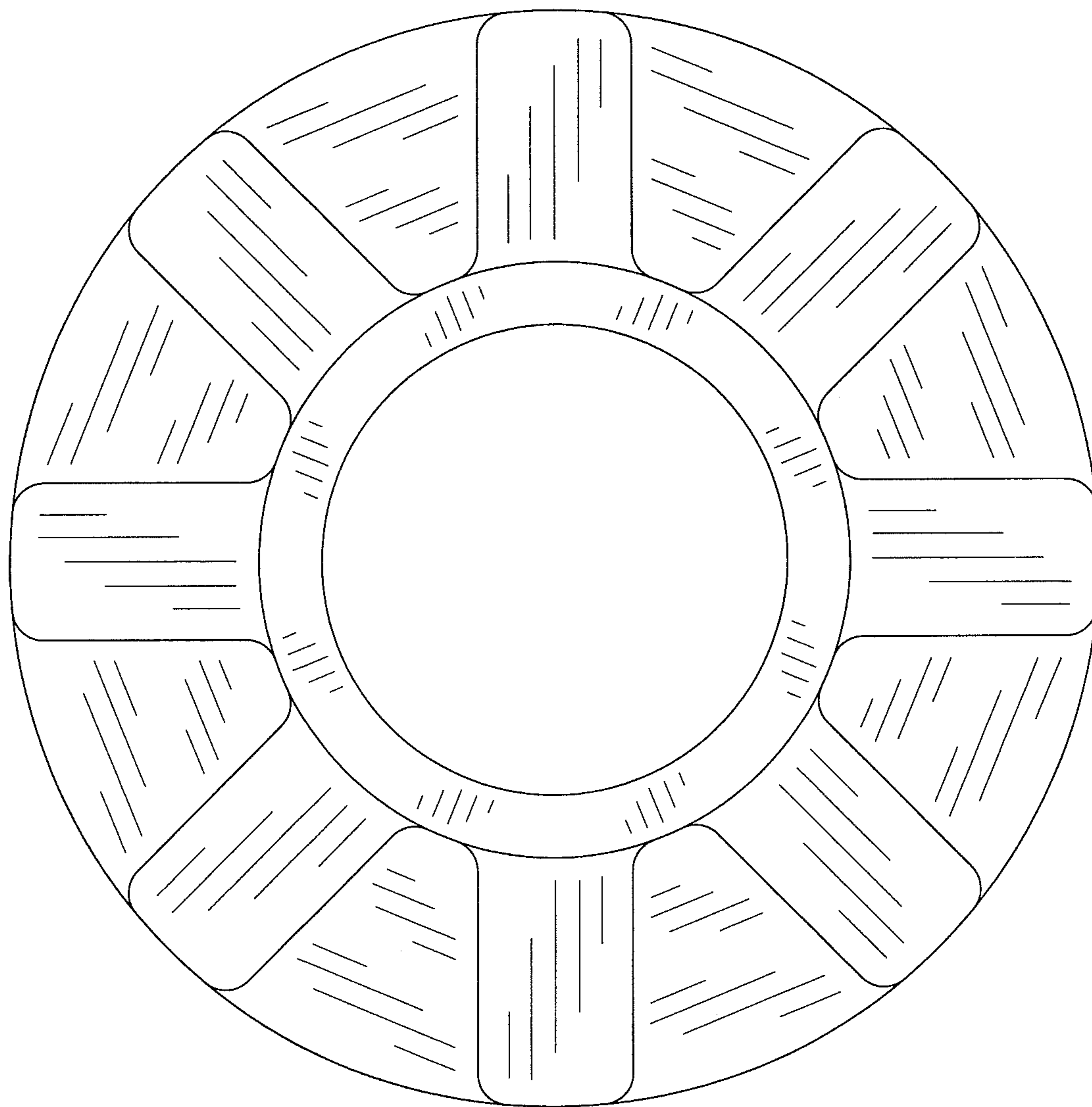


FIG. 5

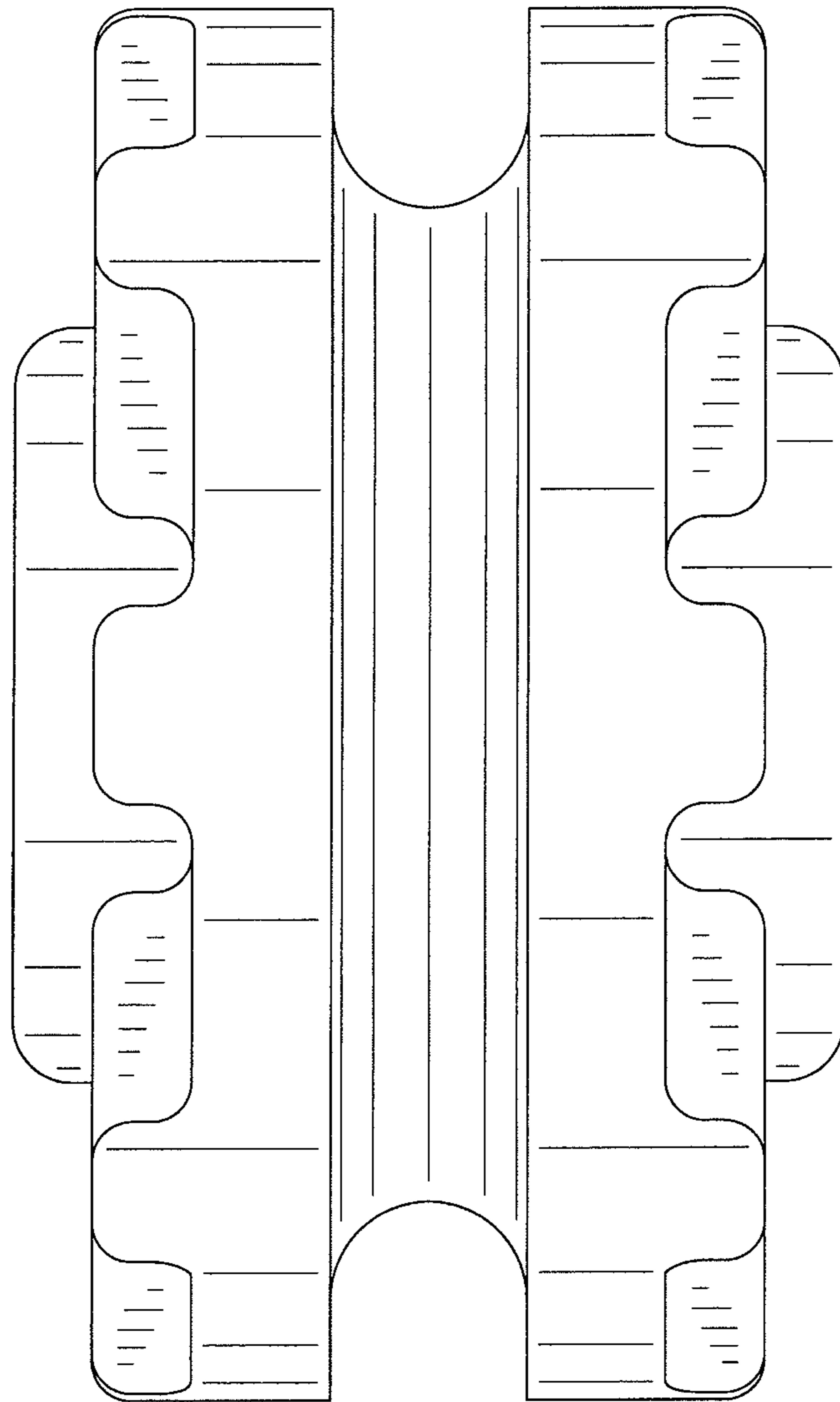


FIG. 6

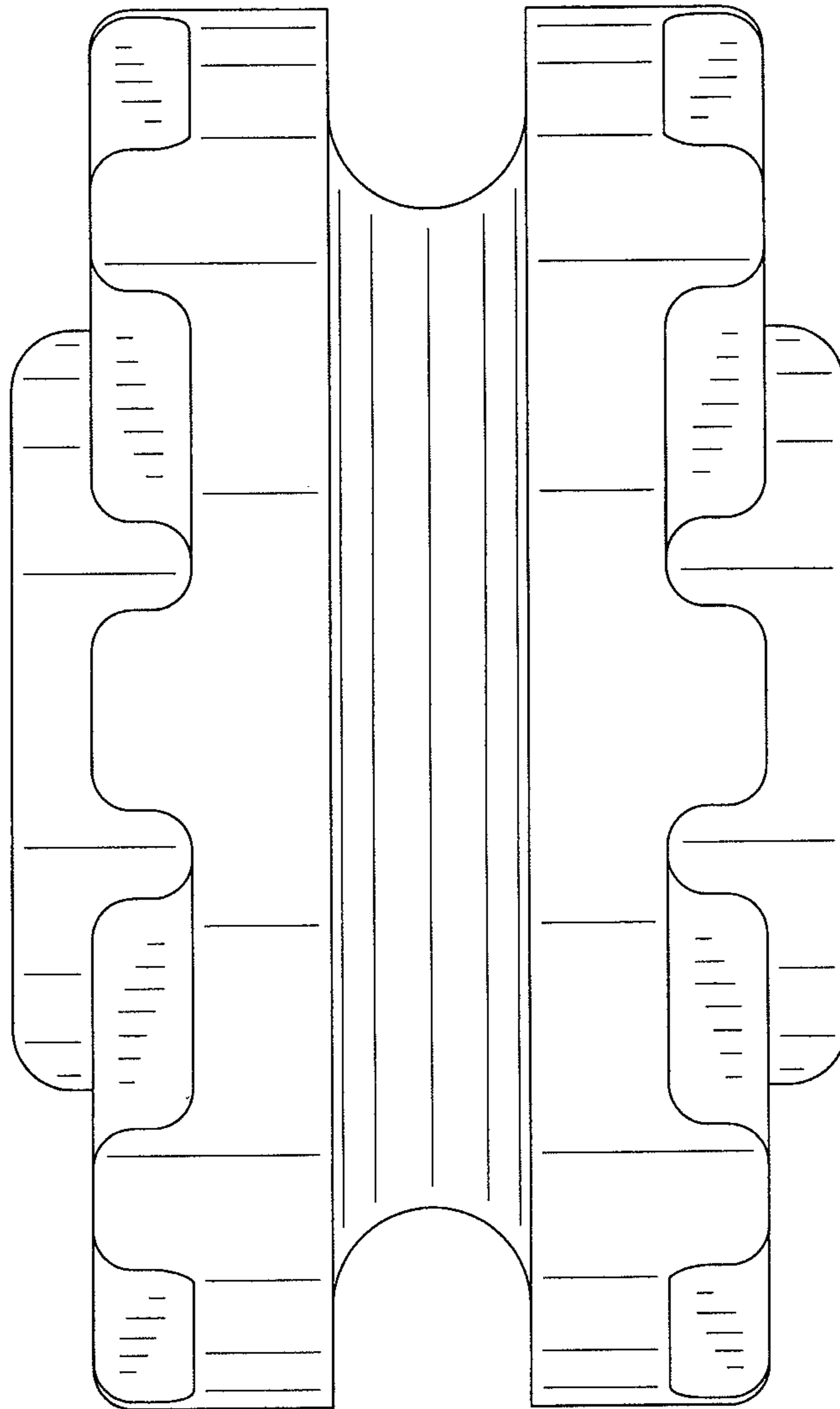


FIG. 7