



US00D684251S

(12) **United States Design Patent**  
**Pan**

(10) **Patent No.:** **US D684,251 S**

(45) **Date of Patent:** **\*\* Jun. 11, 2013**

(54) **FAN BLADE BRACKET**

(75) Inventor: **Peter Pan**, Taichung (TW)

(73) Assignee: **Air Cool Industrial Co., Ltd.**, Taichung (TW)

(\*\*) Term: **14 Years**

(21) Appl. No.: **29/408,121**

(22) Filed: **Dec. 7, 2011**

(51) **LOC (9) Cl.** ..... **23-04**

(52) **U.S. Cl.**  
USPC ..... **D23/411**

(58) **Field of Classification Search**  
USPC ..... D23/355, 370, 379, 385, 386, 411,  
D23/413; 416/5, 62, 93 R, 170 R, 210 R,  
416/223 R, 242; 310/89  
See application file for complete search history.

(56) **References Cited**

U.S. PATENT DOCUMENTS

D456,892 S *	5/2002	Hsieh	.....	D23/411
D493,218 S *	7/2004	Young	.....	D23/411
D519,629 S *	4/2006	Pickett	.....	D23/411
D522,647 S *	6/2006	Pickett	.....	D23/411
D522,648 S *	6/2006	Ertze	.....	D23/411
D535,739 S *	1/2007	Pan	.....	D23/411
D551,756 S *	9/2007	Ertze	.....	D23/411
D572,815 S *	7/2008	Hidalgo	.....	D23/411
D613,847 S *	4/2010	Shurtleff	.....	D23/411

D614,758 S *	4/2010	Shurtleff	.....	D23/411
7,795,769 B2 *	9/2010	Cartwright et al.	.....	310/89
D627,872 S *	11/2010	Pan	.....	D23/411
2008/0193291 A1 *	8/2008	Ware	.....	416/5

\* cited by examiner

*Primary Examiner* — Caron D Veynar

*Assistant Examiner* — Martie K Holtje

(74) *Attorney, Agent, or Firm* — Ming Chow; Sinorica, LLC

(57) **CLAIM**

I claim the ornamental design for a fan blade bracket, as shown and described.

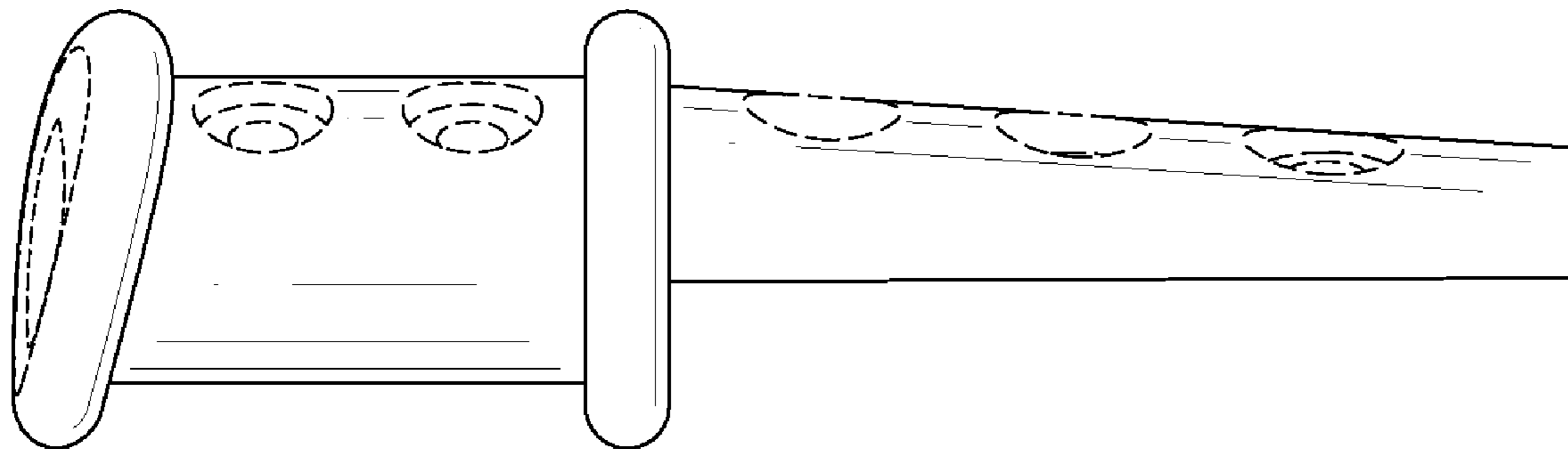
**DESCRIPTION**

FIG. 1 is a front perspective view of a fan blade bracket showing my new design;  
FIG. 2 is a front elevational view thereof;  
FIG. 3 is a rear elevational view thereof.  
FIG. 4 is a left side elevational view thereof;  
FIG. 5 is a right side elevational view thereof;  
FIG. 6 is a top plan view thereof; and,  
FIG. 7 is a bottom plan view thereof.

The broken line depictions of openings and other structure have been included in the figures for the purpose of illustrating portions of the fan blade bracket that form no part of the claimed design.

The broken lines in the FIG. 5 view define the boundaries between claimed and unclaimed structure. The areas within the broken lines form no part of the claimed design.

**1 Claim, 4 Drawing Sheets**



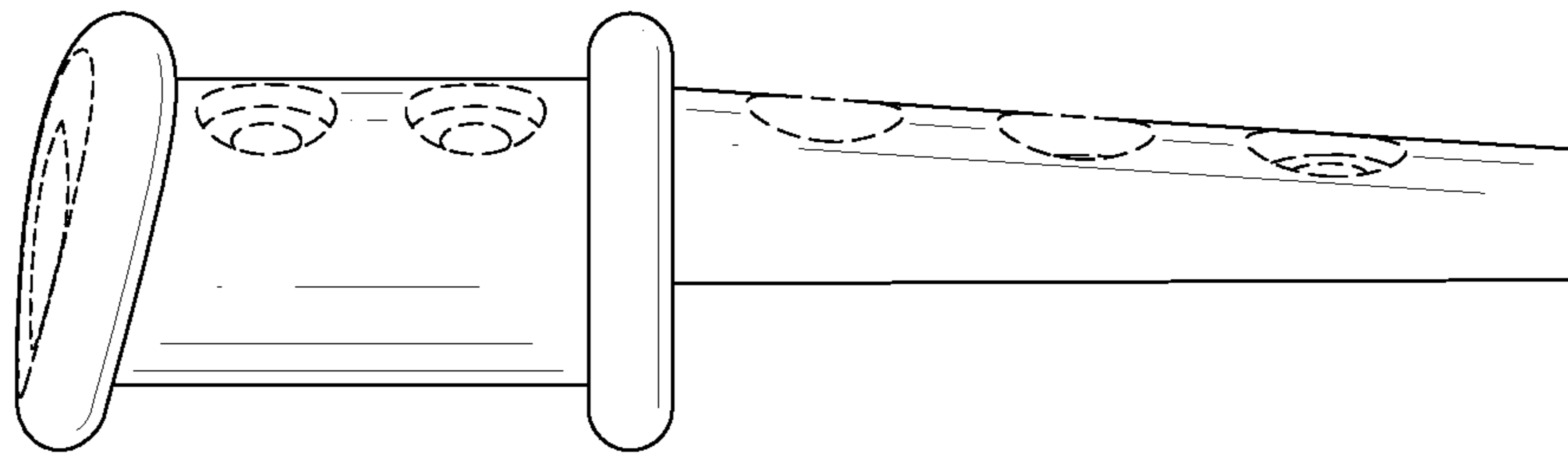


FIG. 1

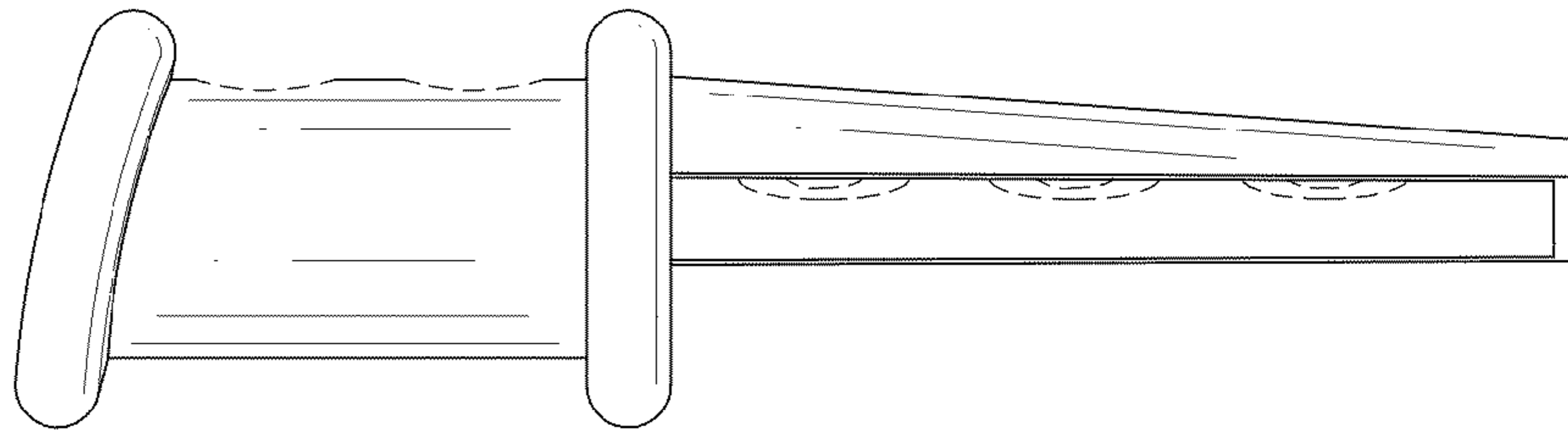


FIG. 2

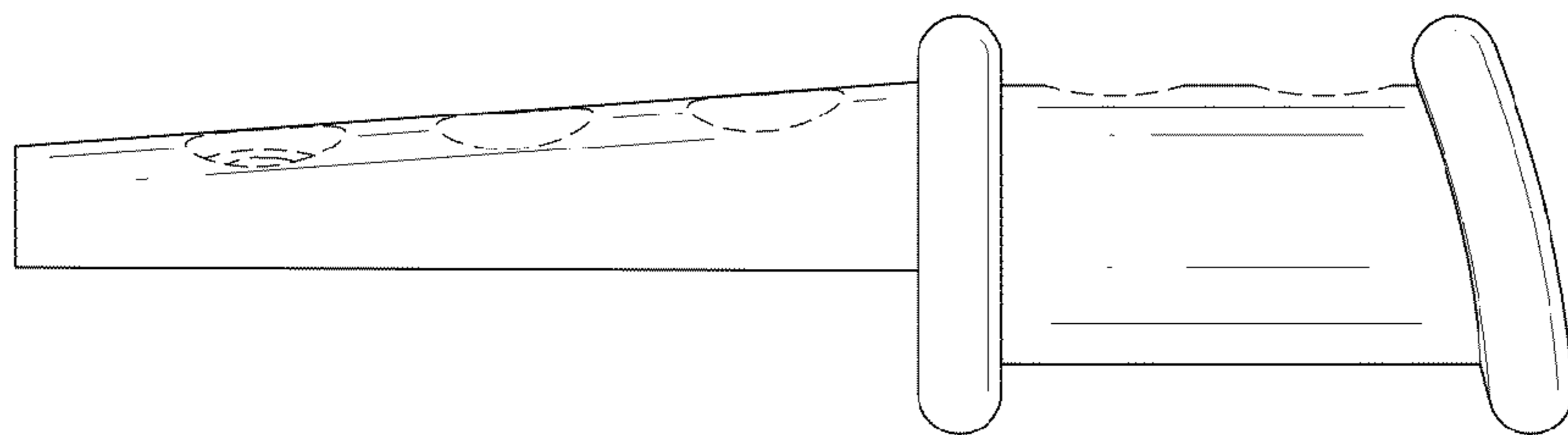


FIG. 3

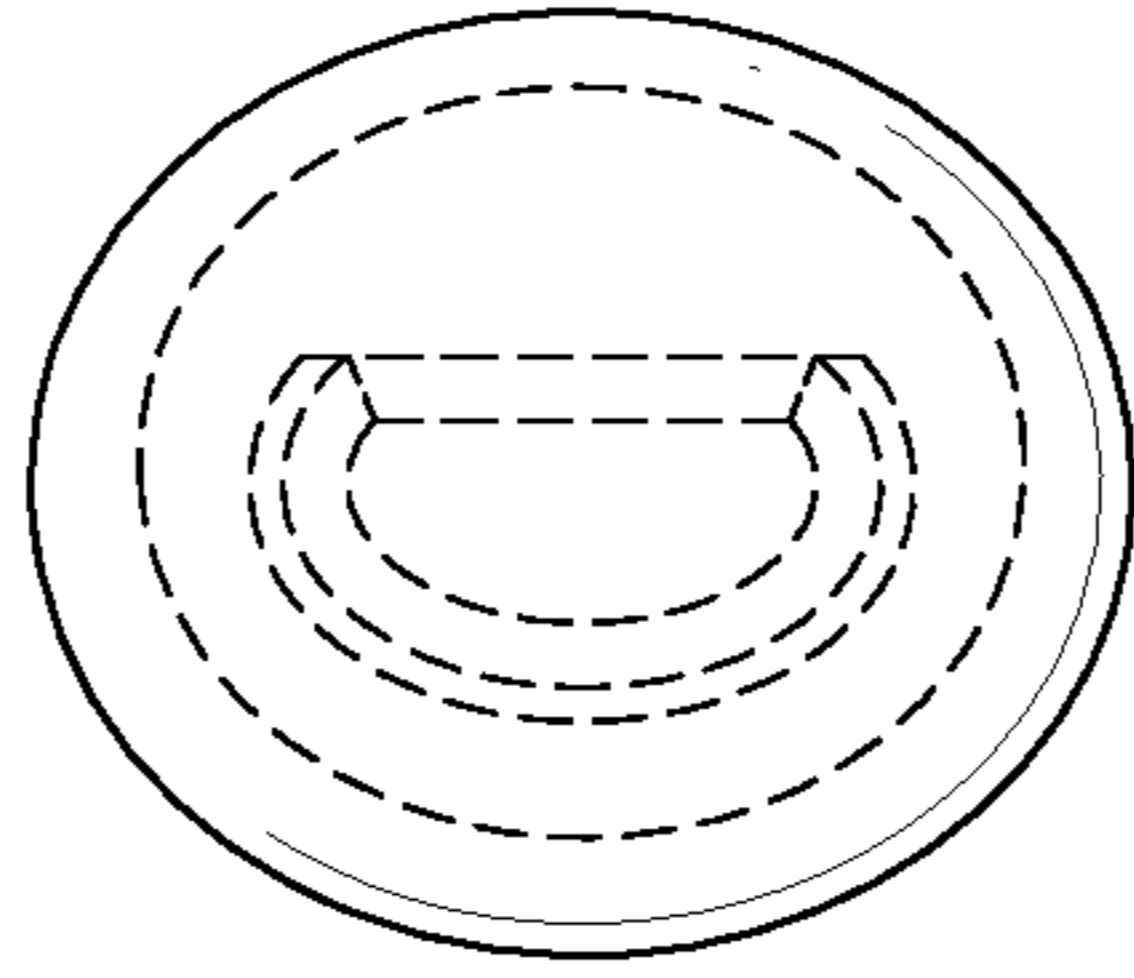


FIG. 4

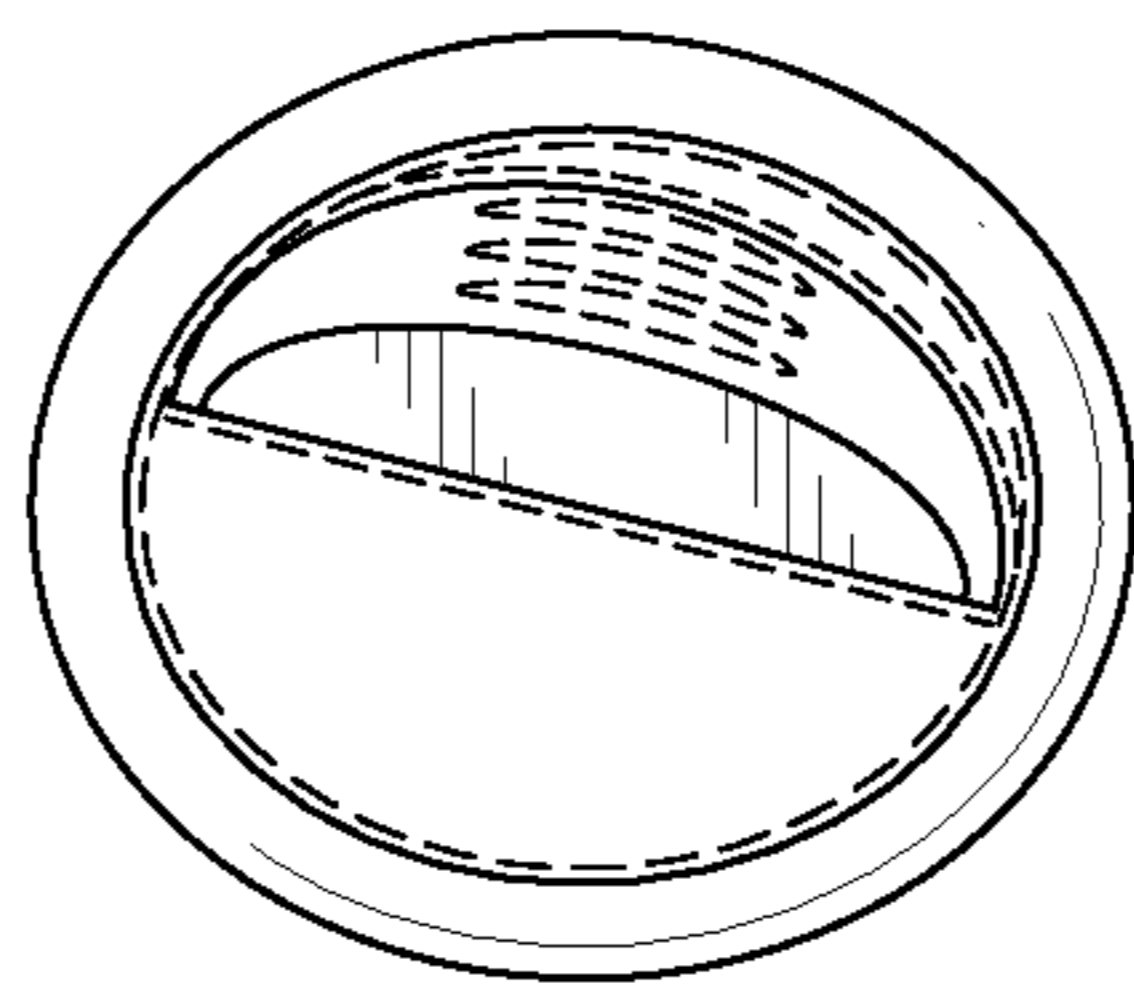


FIG. 5

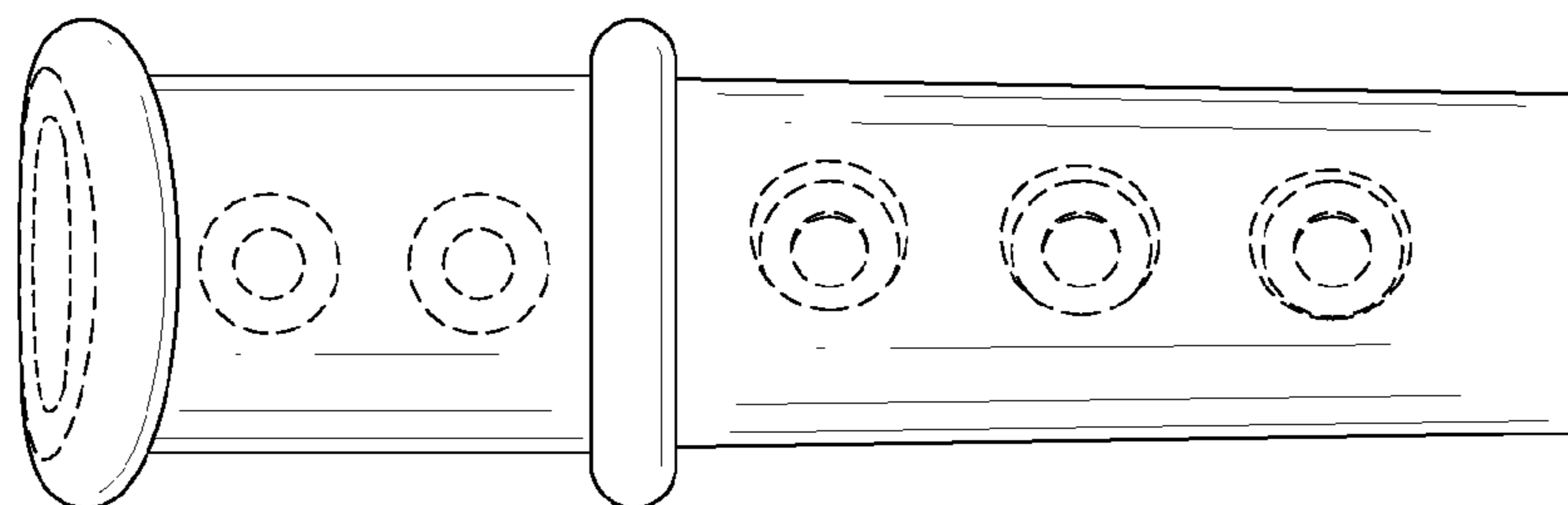


FIG. 6

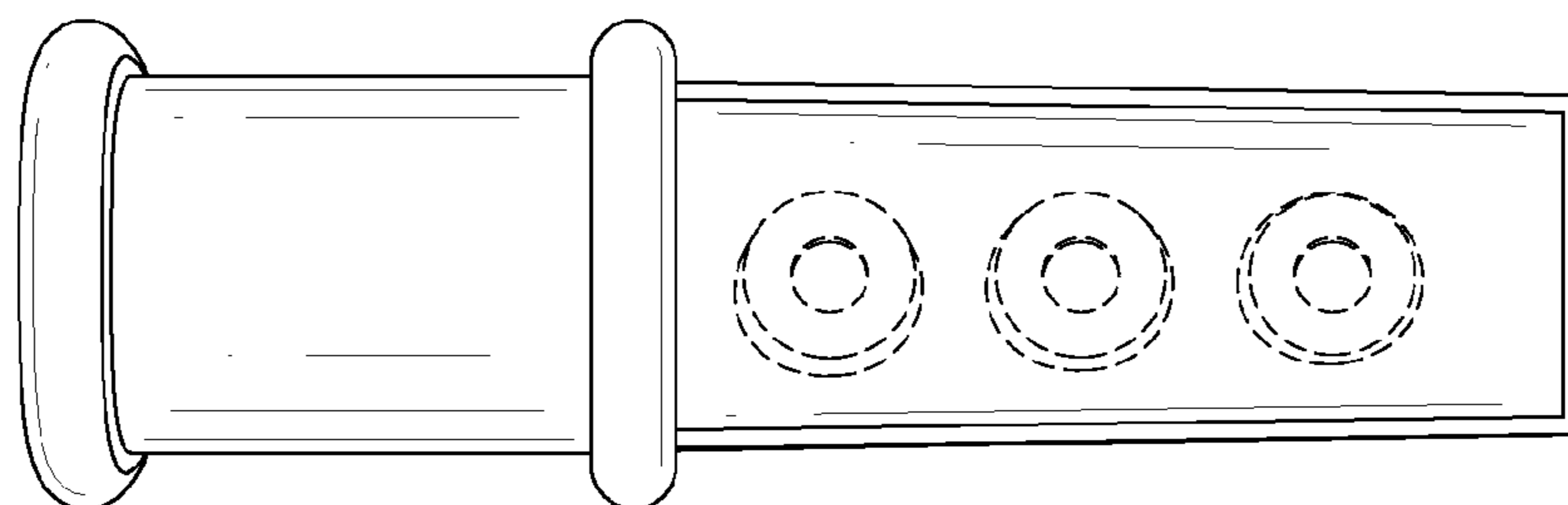


FIG. 7