



US00D684250S

(12) **United States Design Patent**
Hubert et al.

(10) **Patent No.:** **US D684,250 S**
(45) **Date of Patent:** **** Jun. 11, 2013**

- (54) **FAN**
- (76) Inventors: **Robert Hubert**, Cocoa, FL (US);
Jeffrey Badovick, Ormond Beach, FL
(US); **Rafael Rodriguez**, Ormond
Beach, FL (US)
- (**) Term: **14 Years**
- (21) Appl. No.: **29/414,045**
- (22) Filed: **Feb. 23, 2012**
- (51) **LOC (9) Cl.** **23-04**
- (52) **U.S. Cl.**
USPC **D23/378; D23/356**
- (58) **Field of Classification Search**
USPC D23/381–383, 370–379, 385–388,
D23/393, 394, 399, 411–414, 355, 356;
454/237–253, 186, 228–236; 52/302.1;
417/423.1, 423.14; 415/182.1, 200, 90; 416/244
R, 246, 247 R; D6/309; D21/430, 436, 442,
D21/447, 450, 453, 458
See application file for complete search history.

- 7,418,832 B2 9/2008 Ferrono et al.
- 7,422,163 B1 9/2008 DeVorss
- 7,823,800 B1 11/2010 Kalpakoff et al.
- 7,823,865 B2 11/2010 Baldon et al.

(Continued)

OTHER PUBLICATIONS

Meet The Milo, [announced Jul. 25, 2012], [site visited Jan. 24, 2013]. Available from Internet, <URL: <http://auramist.com/2012/meet-milo/>>.*

Primary Examiner — Robert M Spear
Assistant Examiner — Janice Hallmark

(74) *Attorney, Agent, or Firm* — Waddey & Patterson, PC;
Matthew C. Cox

(57) **CLAIM**

What is claimed is the ornamental design for a fan, as shown and described.

DESCRIPTION

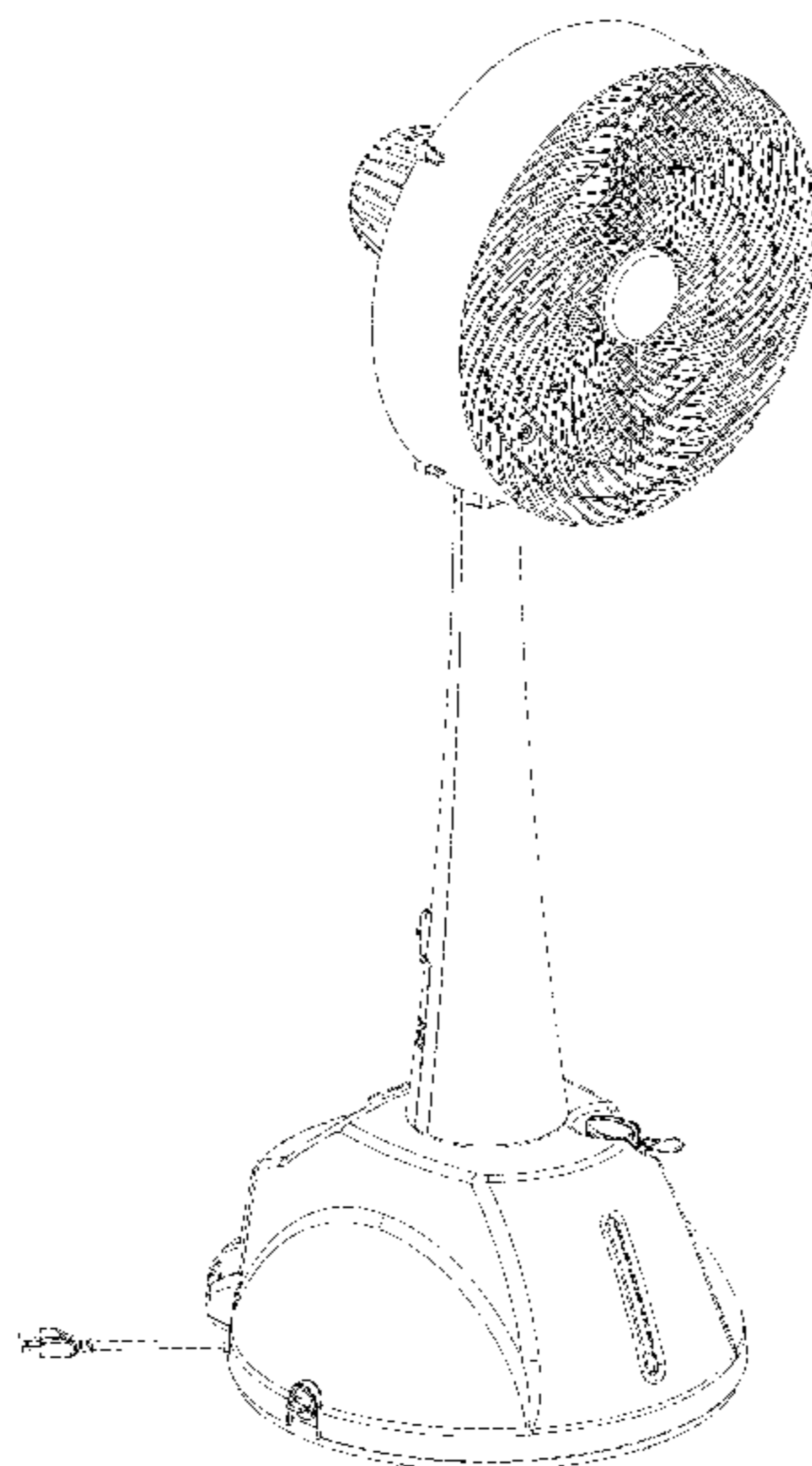
FIG. 1 illustrates a front perspective view of the fan of Applicant's invention.
 FIG. 2 illustrates a rear perspective view of the fan of Applicant's invention.
 FIG. 3 illustrates a front elevation view of the fan of Applicant's invention.
 FIG. 4 illustrates a right side elevation view of the fan of Applicant's invention.
 FIG. 5 illustrates a left side elevation view of the fan of Applicant's invention.
 FIG. 6 illustrates a rear elevation view of the fan of Applicant's invention.
 FIG. 7 illustrates a top view of the fan of Applicant's invention; and,
 FIG. 8 illustrates a bottom view of the fan of Applicant's invention.
 In the drawings, the broken lines depict unclaimed environment.

1 Claim, 8 Drawing Sheets

(56) **References Cited**

U.S. PATENT DOCUMENTS

2,635,920	A	4/1953	Boyce	
D316,599	S *	4/1991	Wang	D23/378
D416,081	S *	11/1999	Lee	D23/378
D418,913	S *	1/2000	Thakur	D23/378
D420,734	S *	2/2000	Thakur	D23/378
D424,681	S *	5/2000	Lozzio et al.	D23/378
D424,682	S *	5/2000	Thakur	D23/378
D426,631	S *	6/2000	Thakur	D23/378
D438,947	S *	3/2001	Wang	D23/378
6,212,897	B1	4/2001	Wang	
D452,733	S *	1/2002	Thakur	D23/378
6,367,278	B1	4/2002	Strussion et al.	
D459,467	S *	6/2002	Wilson, Jr.	D23/412
6,471,194	B2	10/2002	Keeney	
D480,130	S *	9/2003	Bucher et al.	D23/378
D482,770	S *	11/2003	Bucher et al.	D23/378
D484,965	S *	1/2004	Wong	D23/378
7,395,676	B2	7/2008	White	



US D684,250 S

Page 2

U.S. PATENT DOCUMENTS

7,871,022 B1 1/2011 Plyler
7,922,106 B2 4/2011 Meadors, Jr.

8,020,399 B2 9/2011 Hall, III
2008/0271350 A1 11/2008 Ganan Calvo

* cited by examiner

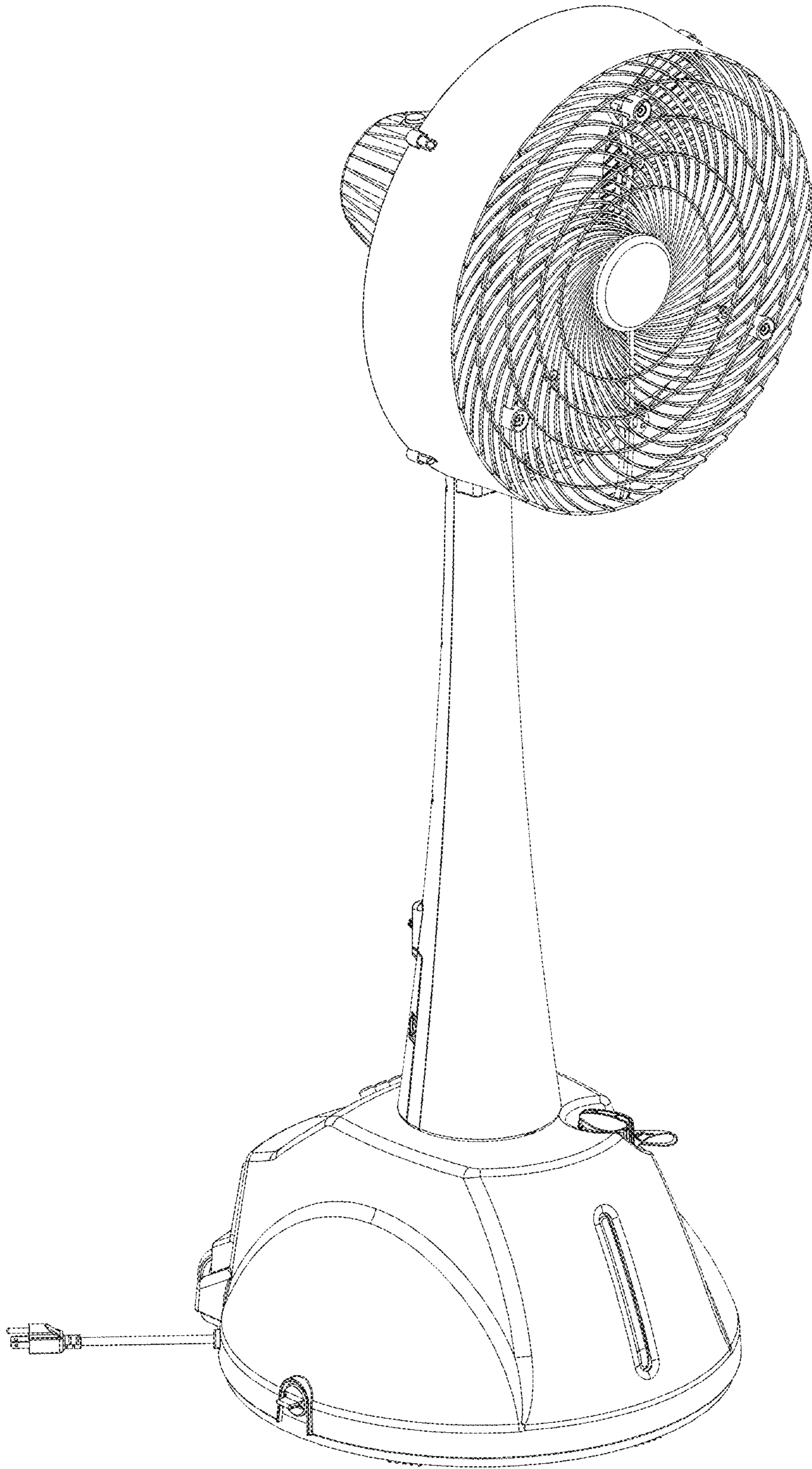


FIG. 1

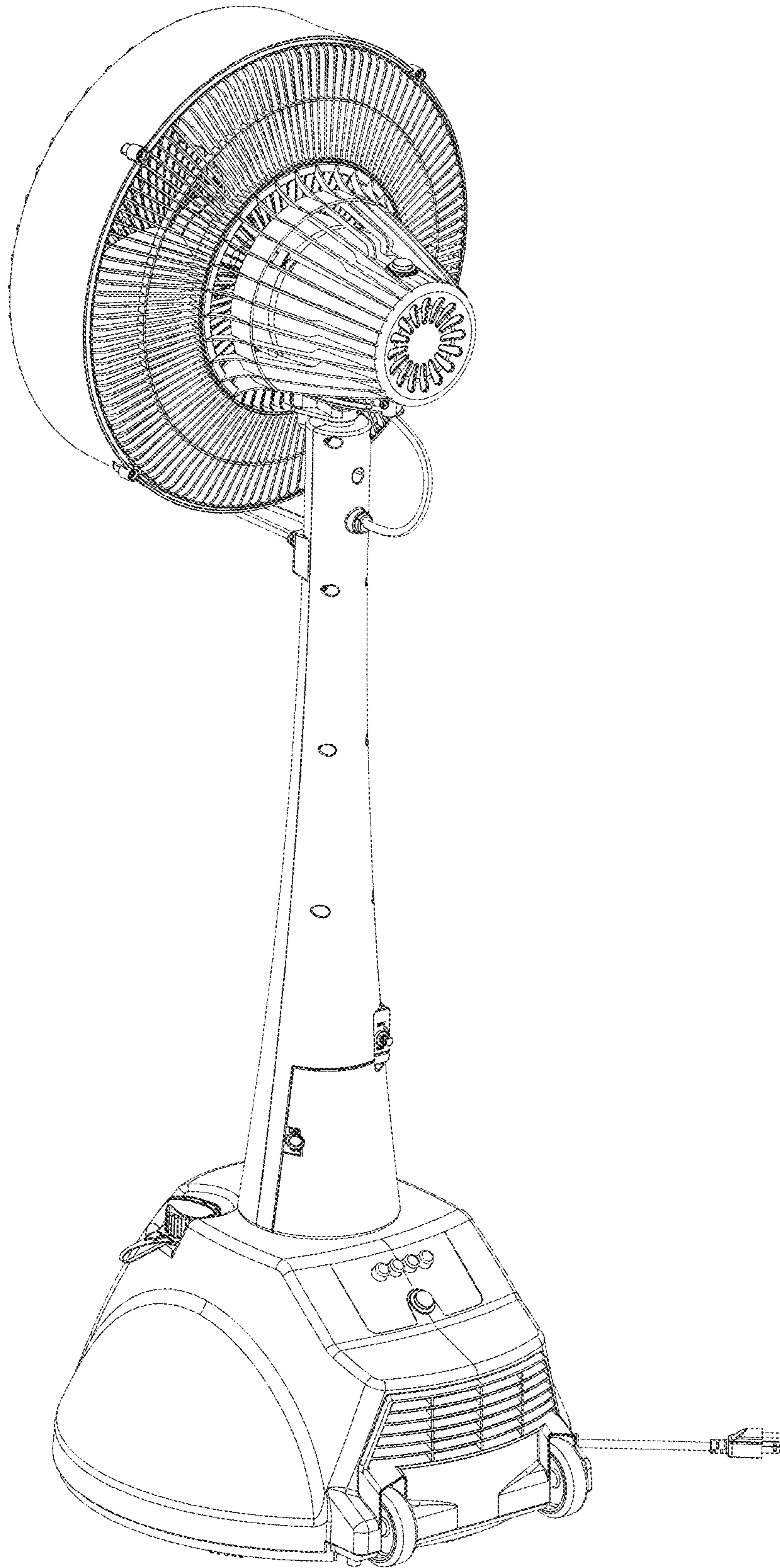


FIG. 2

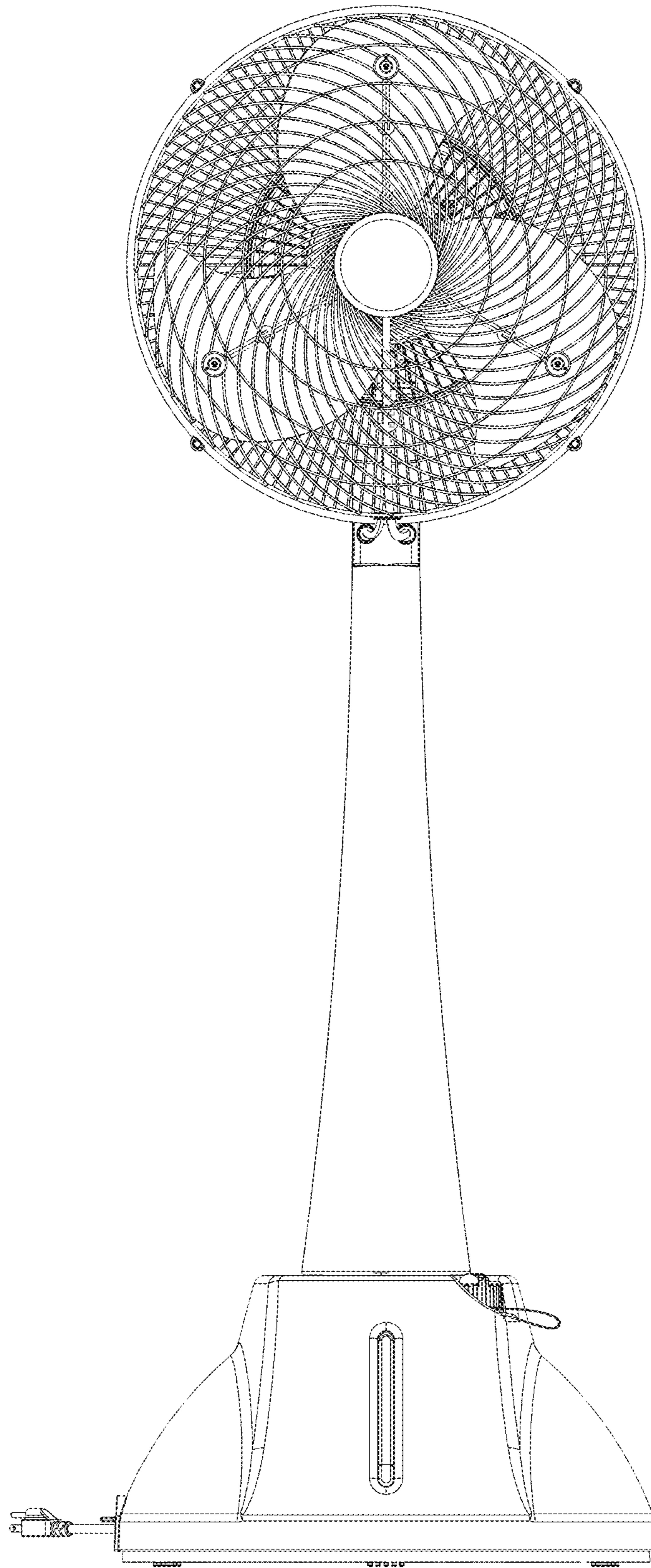


FIG. 3

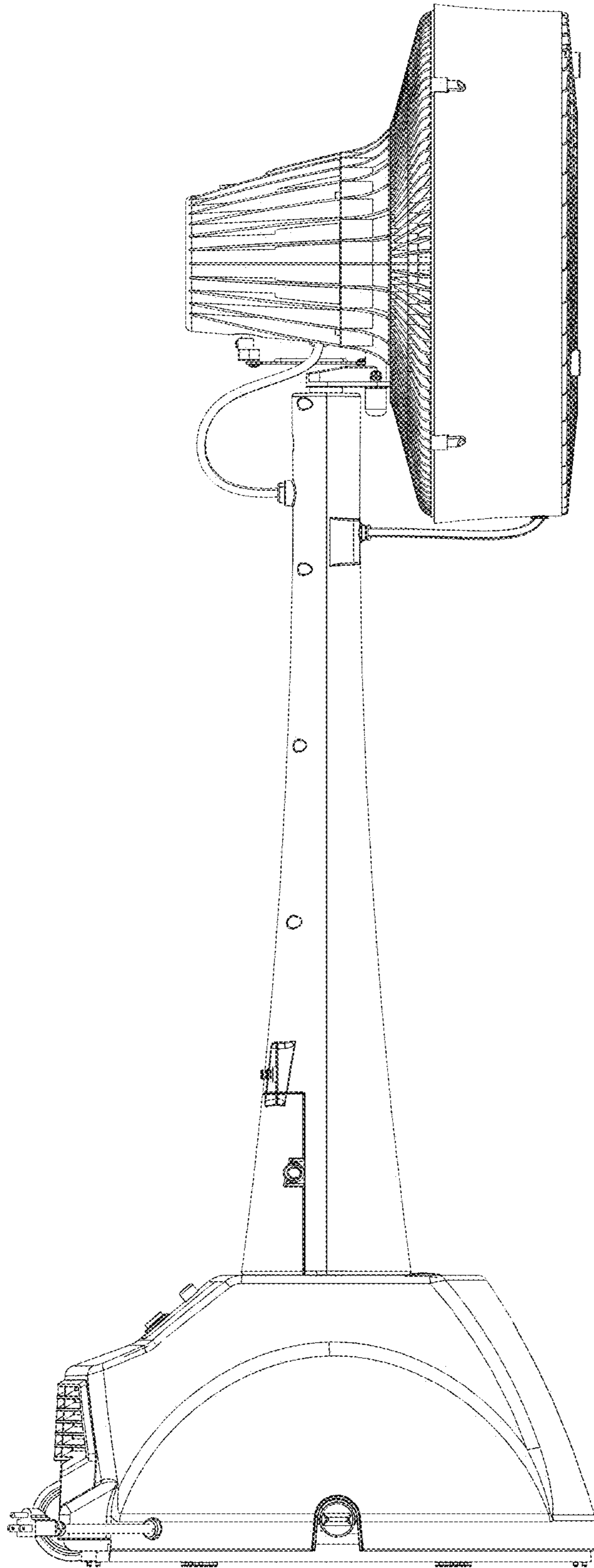


FIG. 4

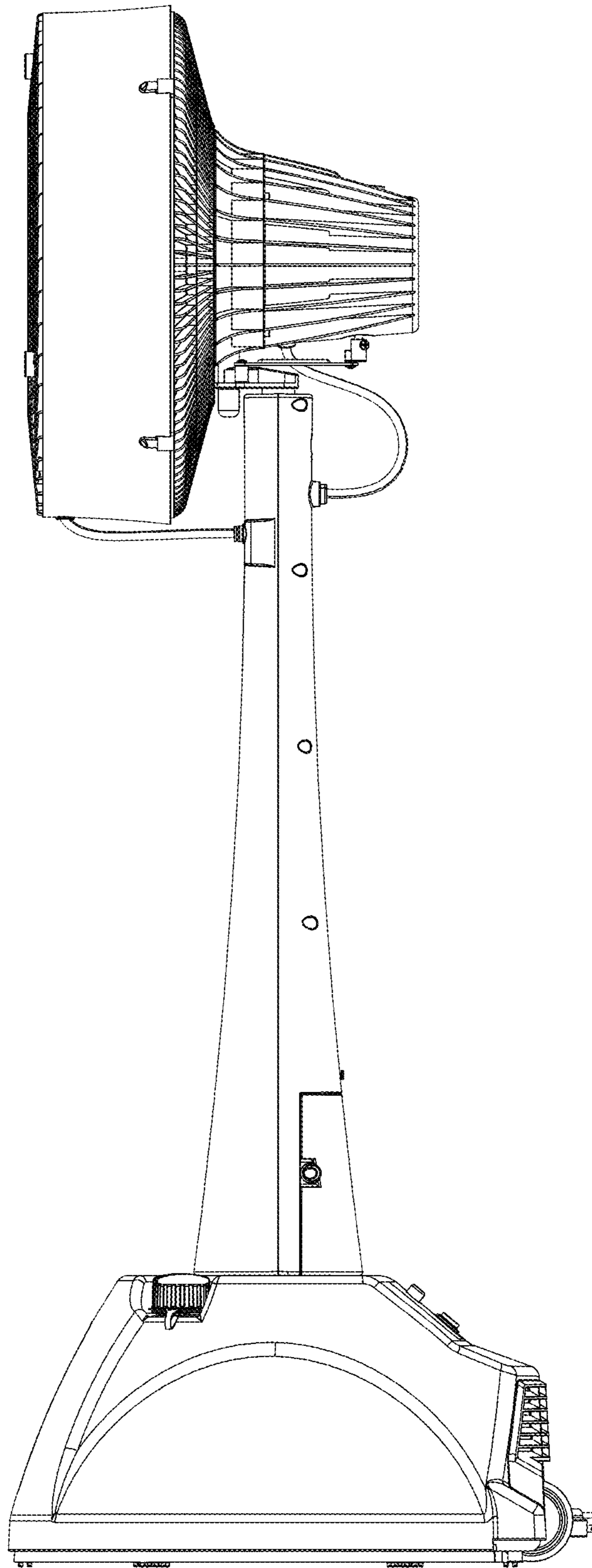


FIG. 5

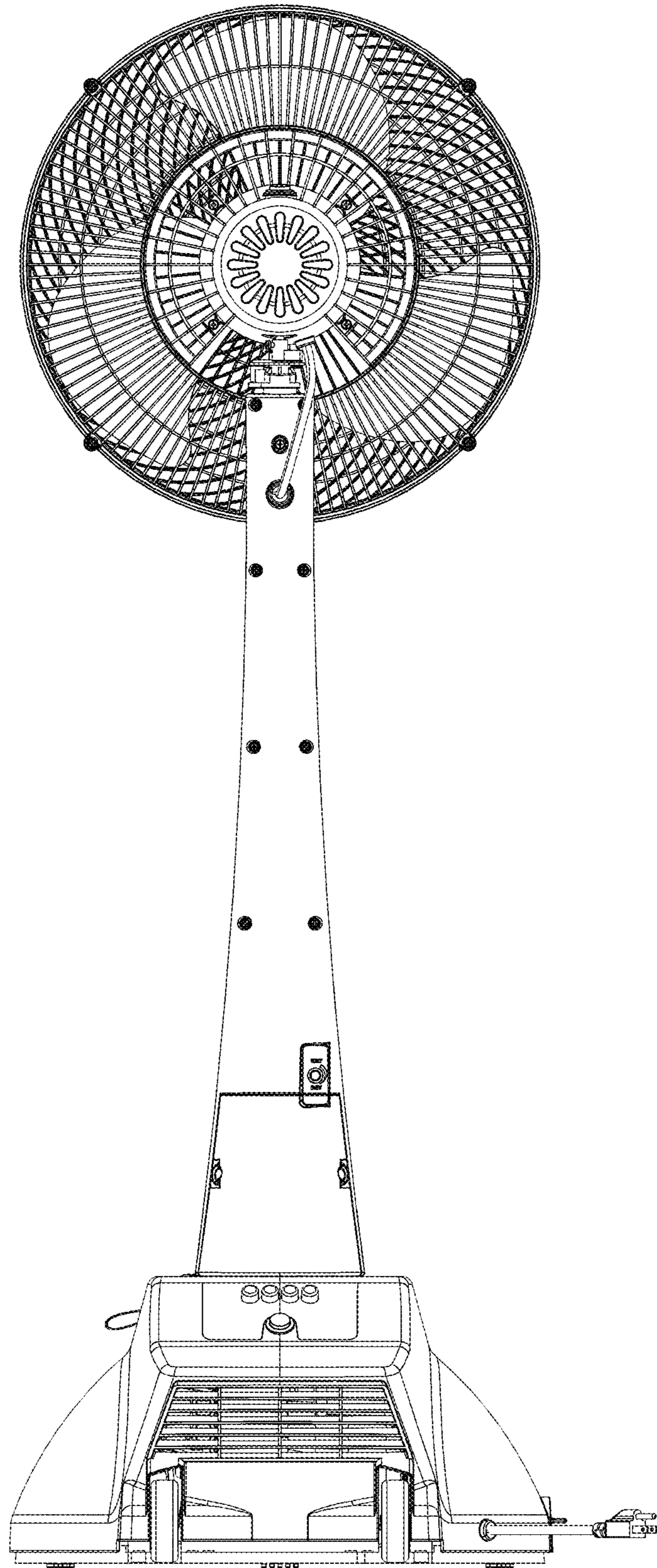


FIG. 6

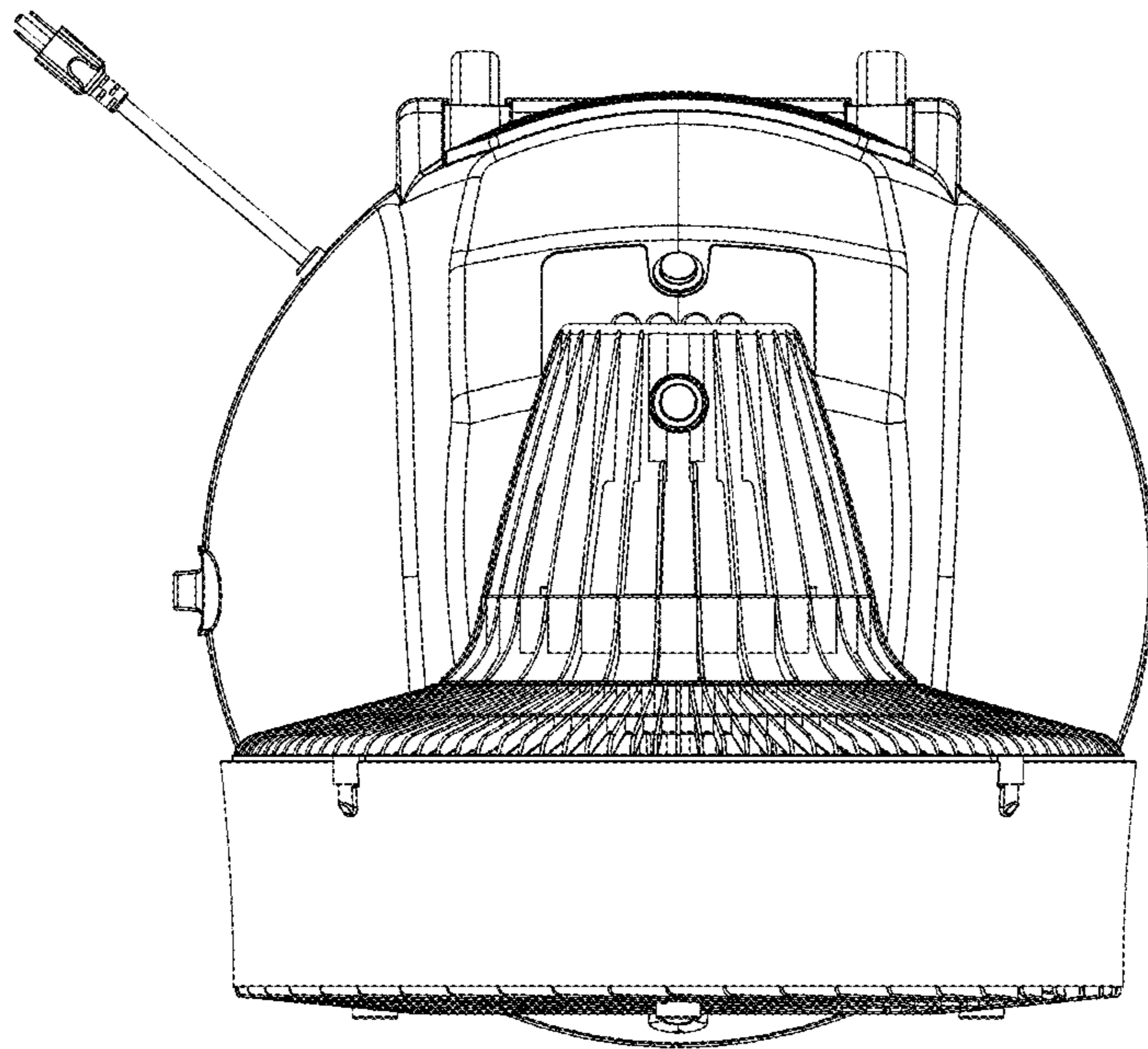


FIG. 7

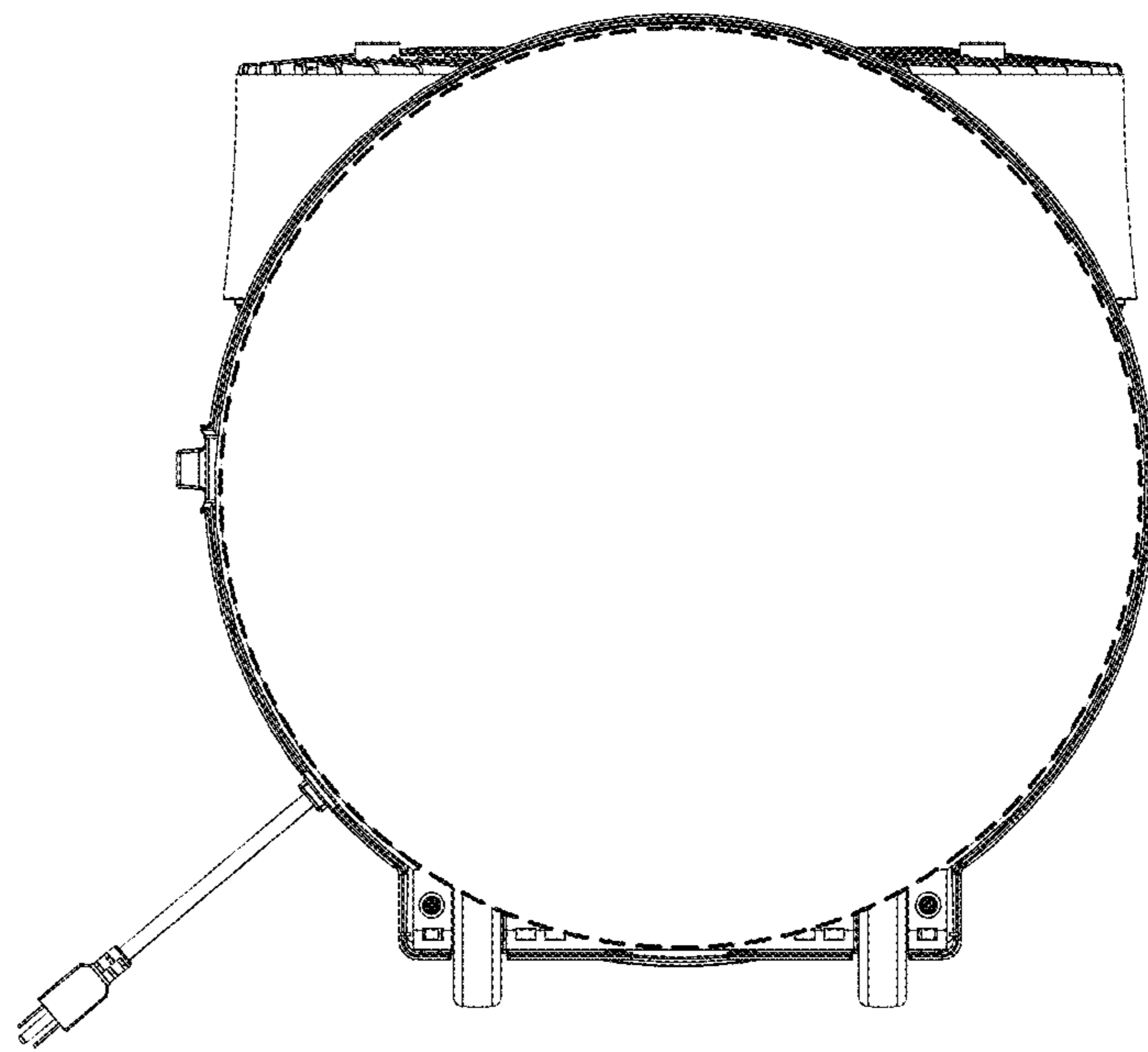


FIG. 8