



US00D684249S

(12) **United States Design Patent**
Herbst

(10) **Patent No.:** **US D684,249 S**
(45) **Date of Patent:** **** Jun. 11, 2013**

- (54) **FAN WITH PAN-SHAPED BASE**
- (76) **Inventor:** **Scot Herbst**, Santa Cruz, CA (US)
- (**) **Term:** **14 Years**
- (21) **Appl. No.:** **29/395,990**
- (22) **Filed:** **May 2, 2012**
- (51) **LOC (9) Cl.** **23-04**
- (52) **U.S. Cl.**
USPC **D23/370; D23/382**
- (58) **Field of Classification Search**
USPC D23/381–383, 370–379, 385–388,
D23/393, 394, 399, 411–414, 355, 356;
454/237–253, 186, 228–236; 52/302.1;
417/423.1, 423.14; 415/182.1, 200, 90; 416/244
R, 246, 247 R; D6/309; D21/430, 436, 442,
D21/447, 450, 453, 458
See application file for complete search history.

(56) **References Cited**

U.S. PATENT DOCUMENTS

D206,973 S *	2/1967	De Lisio	D23/370
D449,373 S *	10/2001	Pinchuk	D23/382
D510,994 S *	10/2005	Indio Da Costa	D23/382
D565,721 S *	4/2008	Chen	D23/382
D566,260 S *	4/2008	Chen	D23/382
D597,195 S *	7/2009	Zhuang	D23/411
D599,471 S *	9/2009	Borovicka et al.	D23/412
D610,672 S *	2/2010	Xiao	D23/382

* cited by examiner

Primary Examiner — Robert M Spear

Assistant Examiner — Janice Hallmark

(74) *Attorney, Agent, or Firm* — Knechtel, Demeur & Samlan

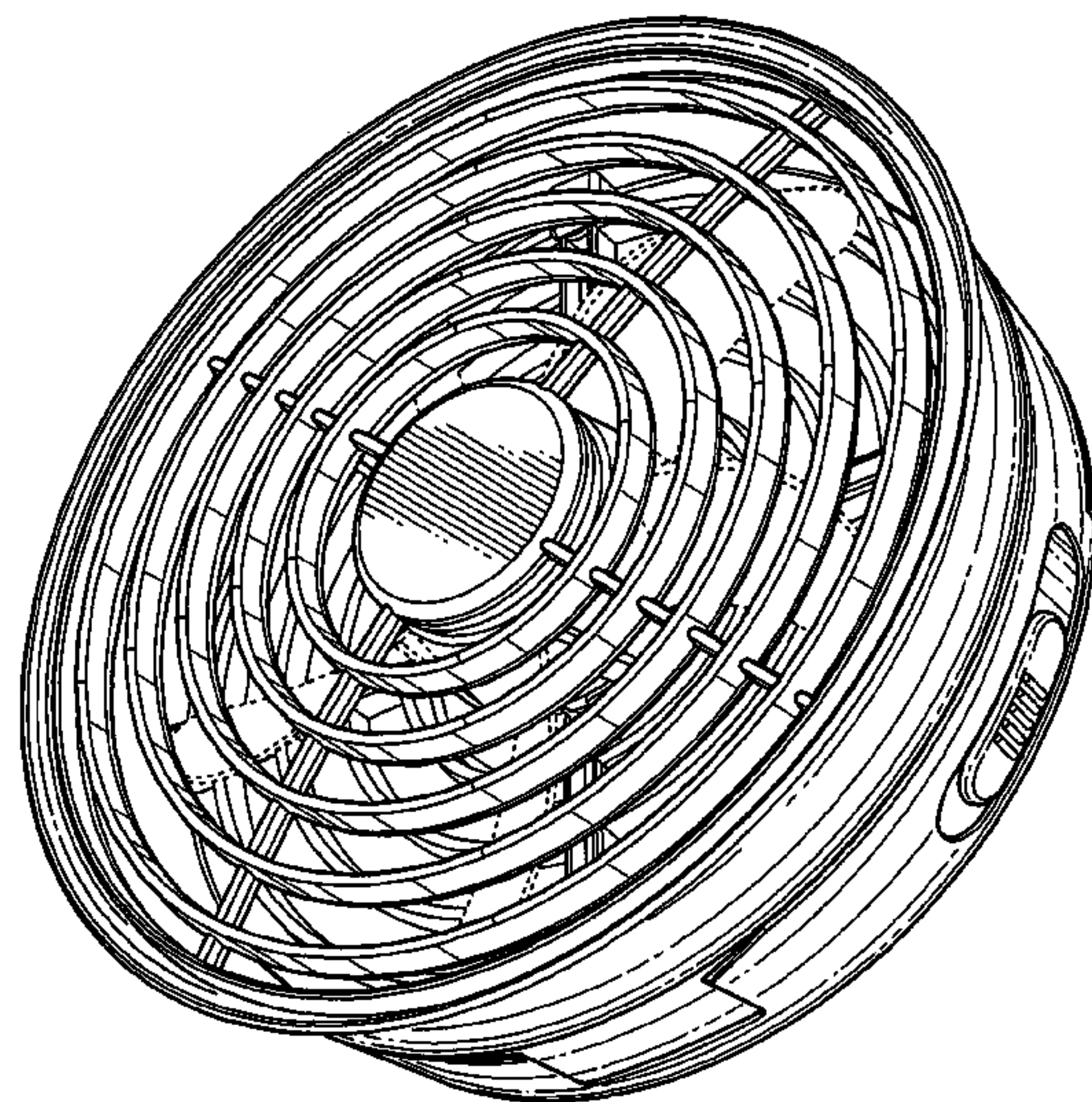
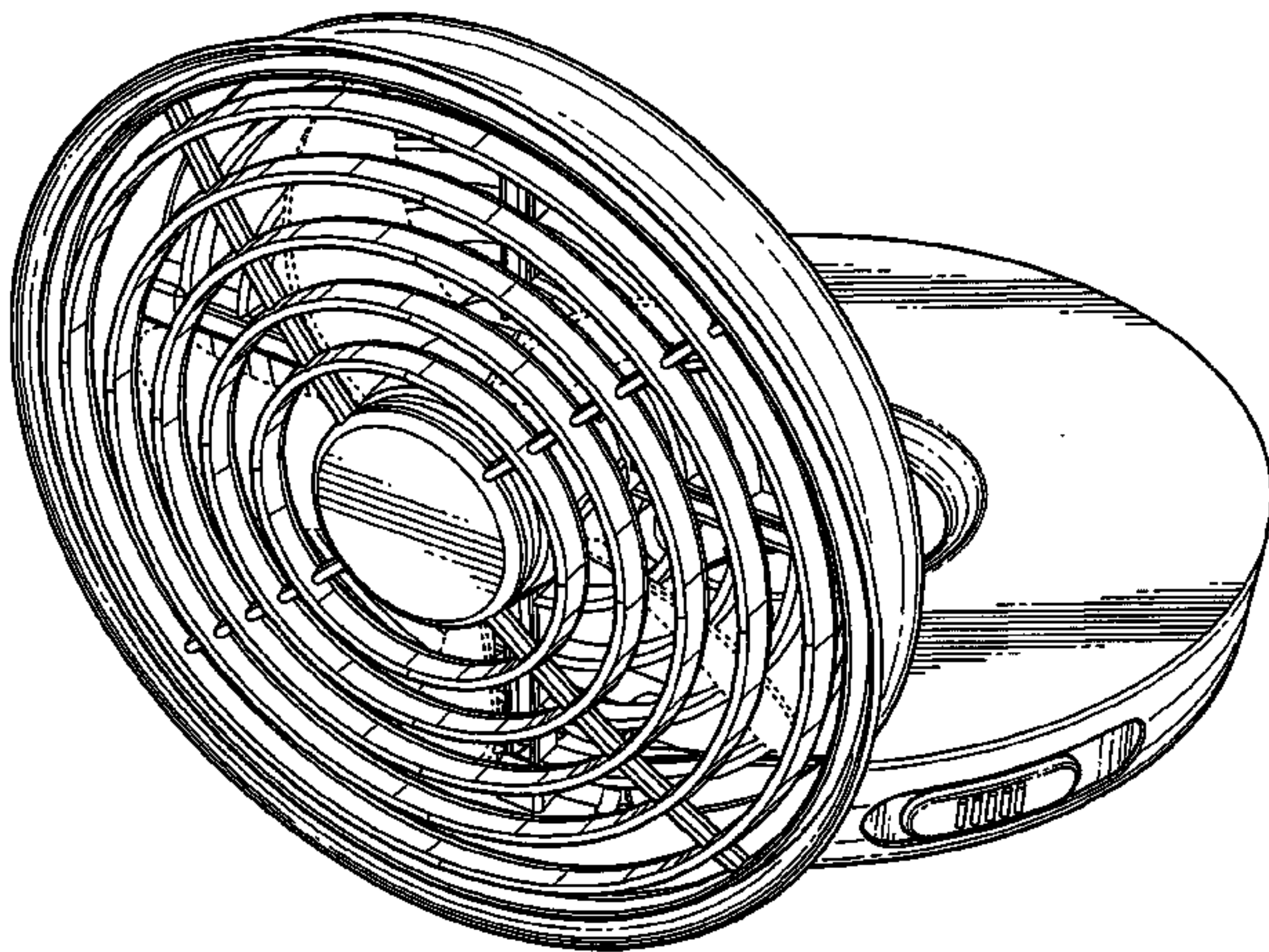
(57) **CLAIM**

I claim the ornamental design for a fan with pan-shaped base, as shown and described.

DESCRIPTION

FIG. 1 is a front perspective view of the fan with pan-shaped base in a first position;
 FIG. 2 is a rear perspective view of the fan with pan-shaped base in a first position;
 FIG. 3 is a front elevational view of the fan with pan-shaped base in a first position;
 FIG. 4 is a rear elevational view of the fan with pan-shaped base in a first position;
 FIG. 5 is a side elevational view of the fan with pan-shaped base in a first position;
 FIG. 6 is a side elevational view of the opposed side of the fan with pan-shaped base in a first position;
 FIG. 7 is a top plan view of the fan with pan-shaped base in a first position;
 FIG. 8 is a bottom plan view of the fan with pan-shaped base in a first position;
 FIG. 9 is a front perspective view of the fan with pan-shaped base in a second position;
 FIG. 10 is a rear perspective view of the fan with pan-shaped base in a second position;
 FIG. 11 is a top plan view of the fan with pan-shaped base in a second position;
 FIG. 12 is a bottom plan view of the fan with pan-shaped base in a second position;
 FIG. 13 is a side elevational view of the fan with pan-shaped base in a second position;
 FIG. 14 is a side elevational of the opposed side view of the fan with pan-shaped base in a second position;
 FIG. 15 is a front elevational view of the fan with pan-shaped base in a second position; and,
 FIG. 16 is a rear elevational view of the fan with pan-shaped base in a second position.
 In the drawings, the broken lines depict unclaimed environment.

1 Claim, 14 Drawing Sheets



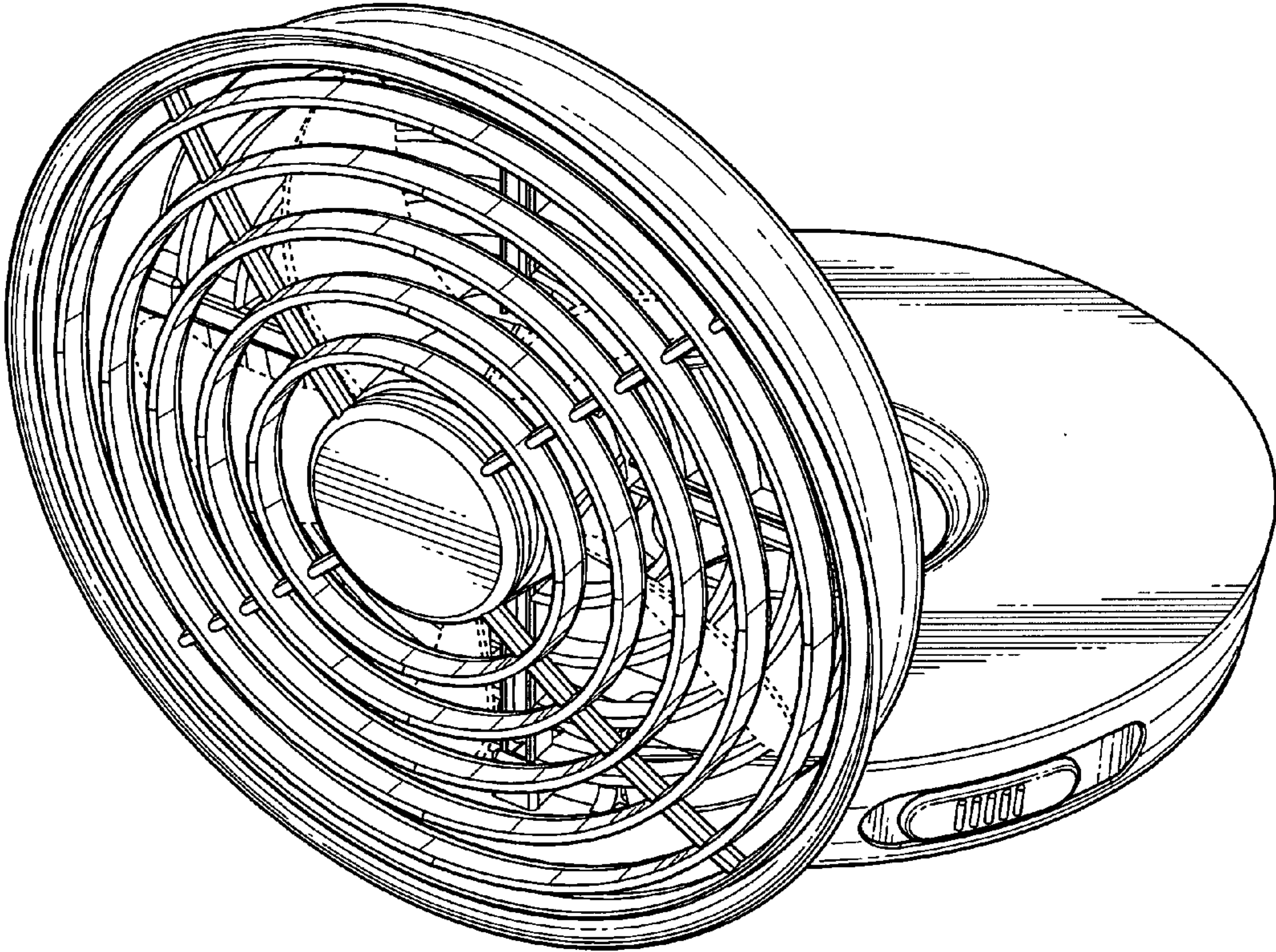


FIG. 1

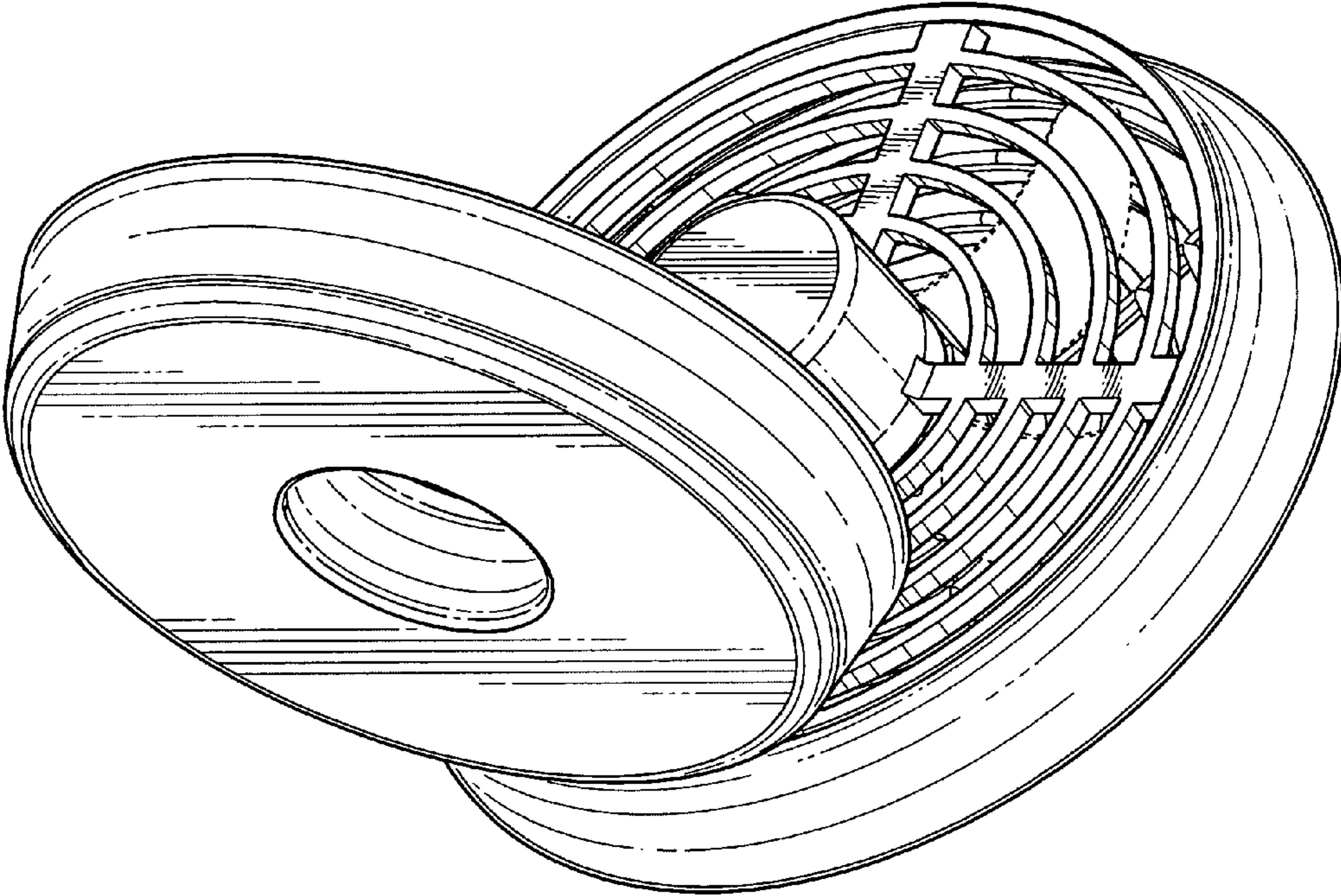


FIG. 2

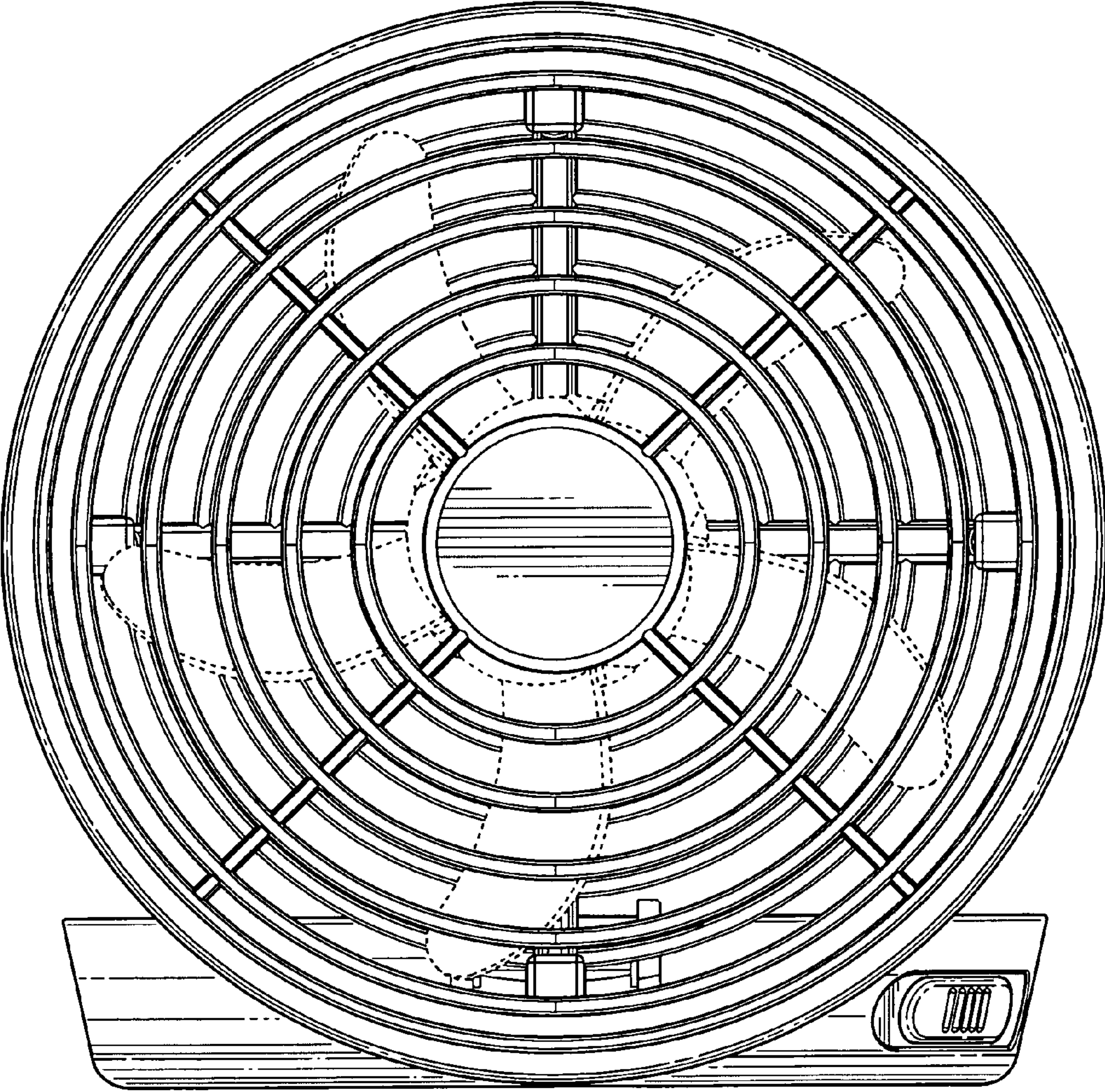


FIG. 3

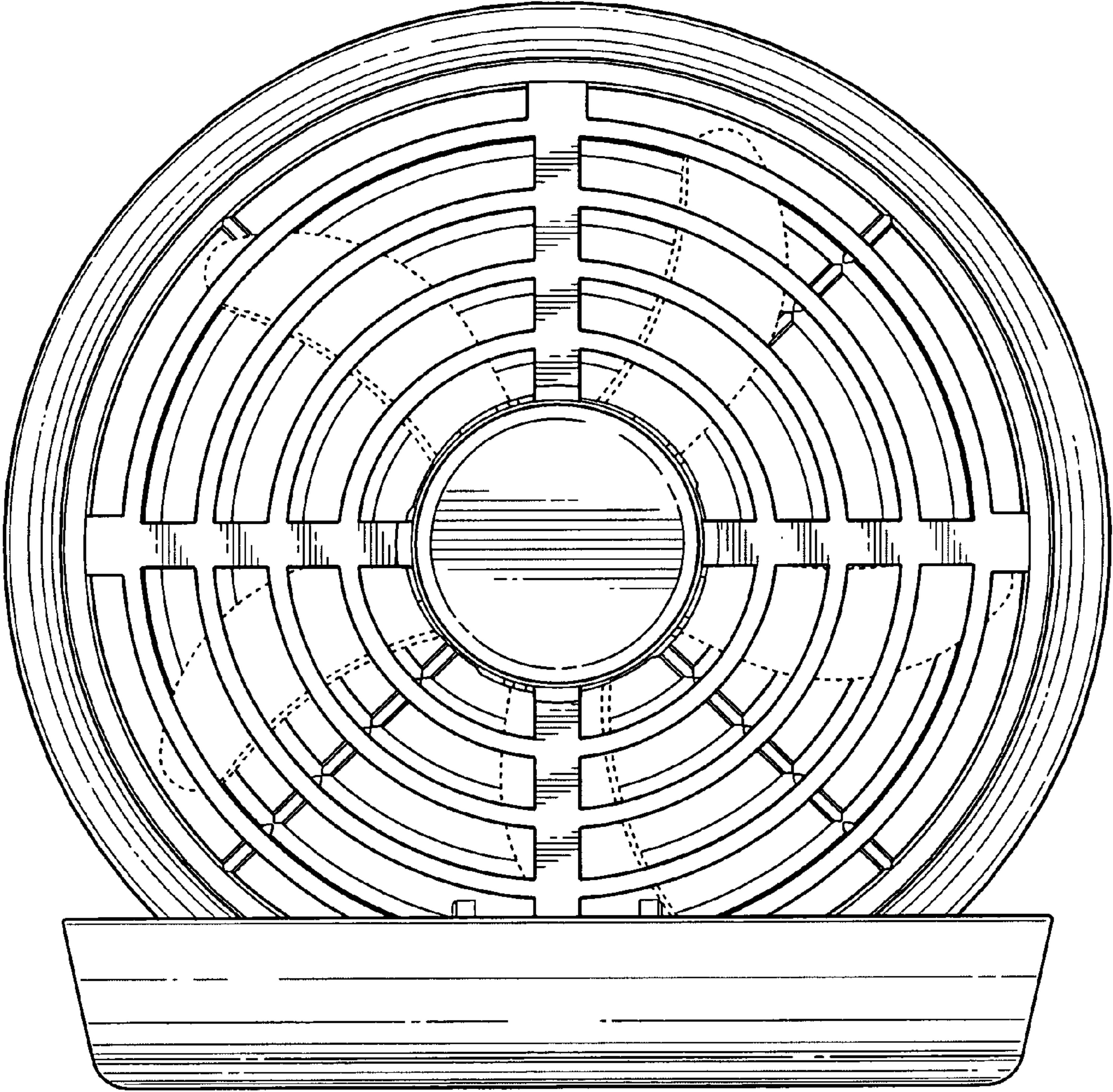


FIG. 4

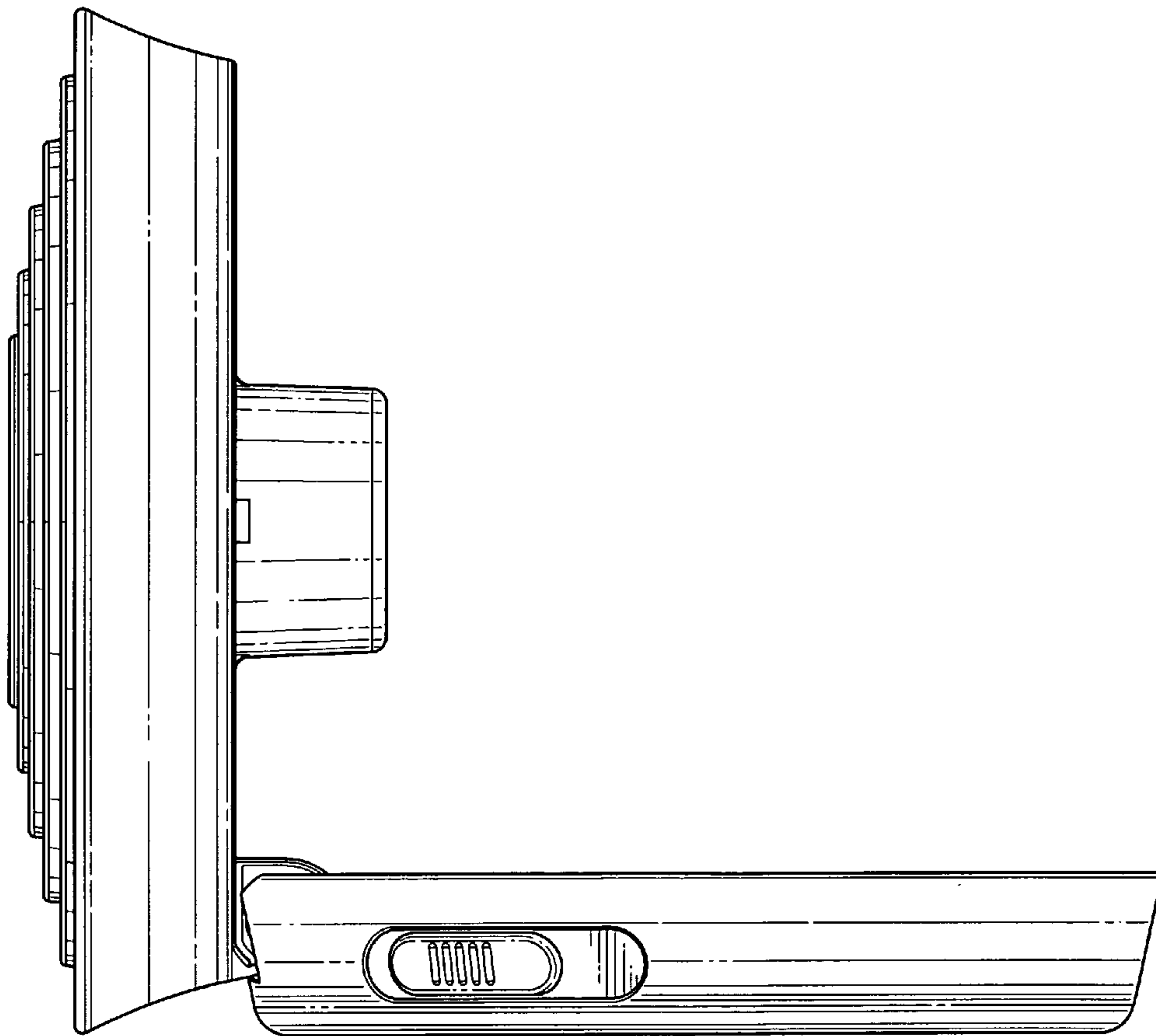


FIG. 5

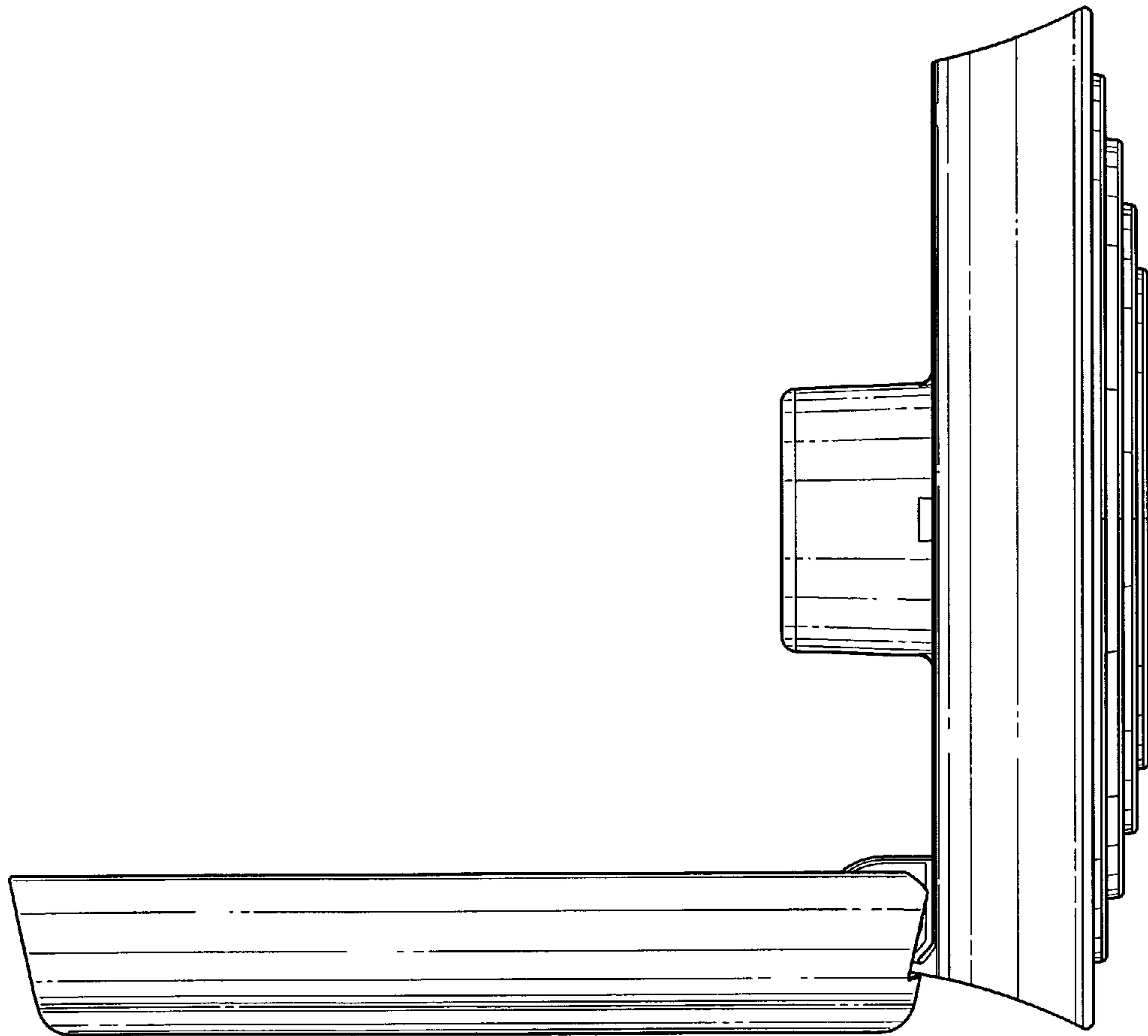


FIG. 6

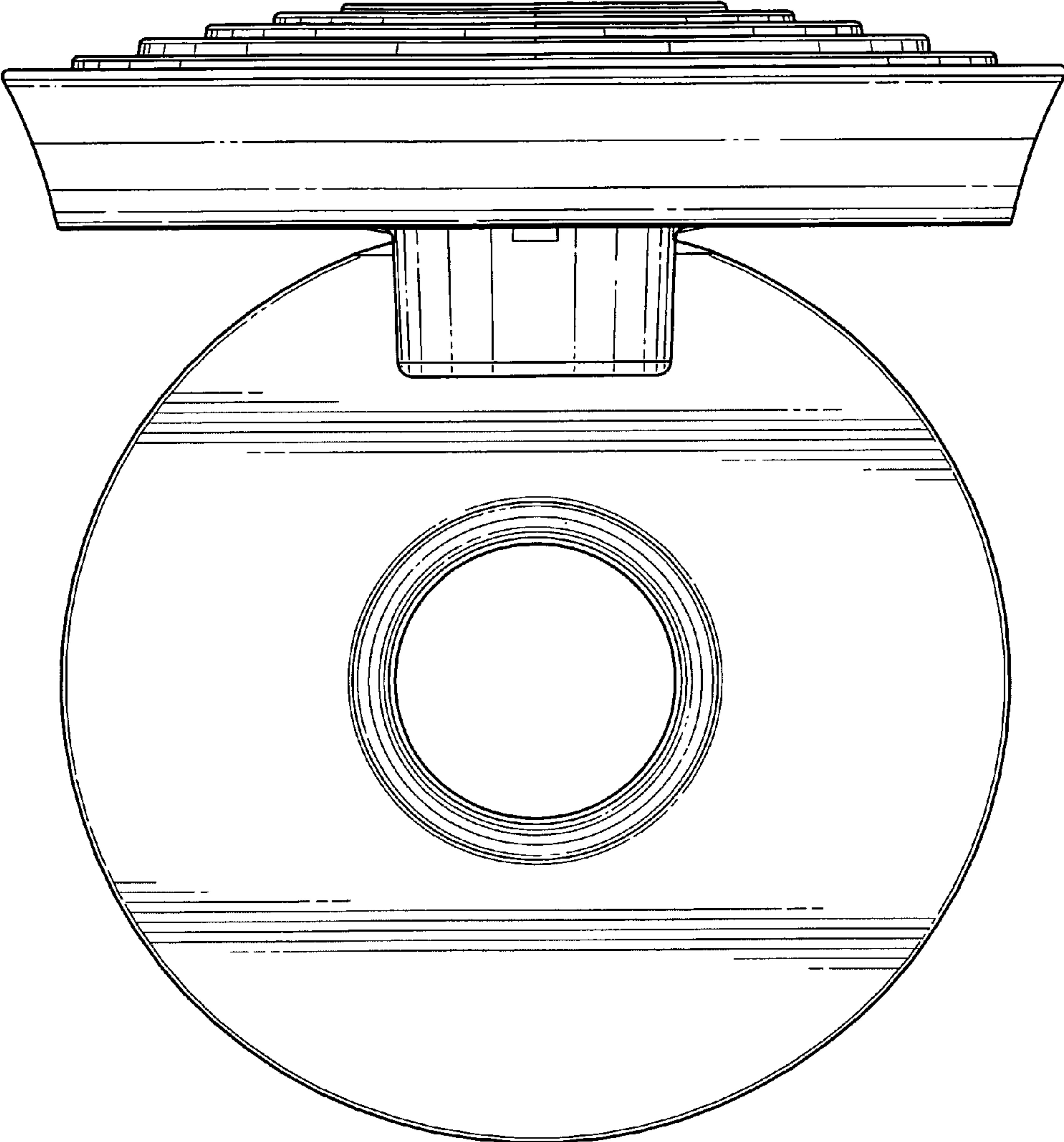


FIG. 7

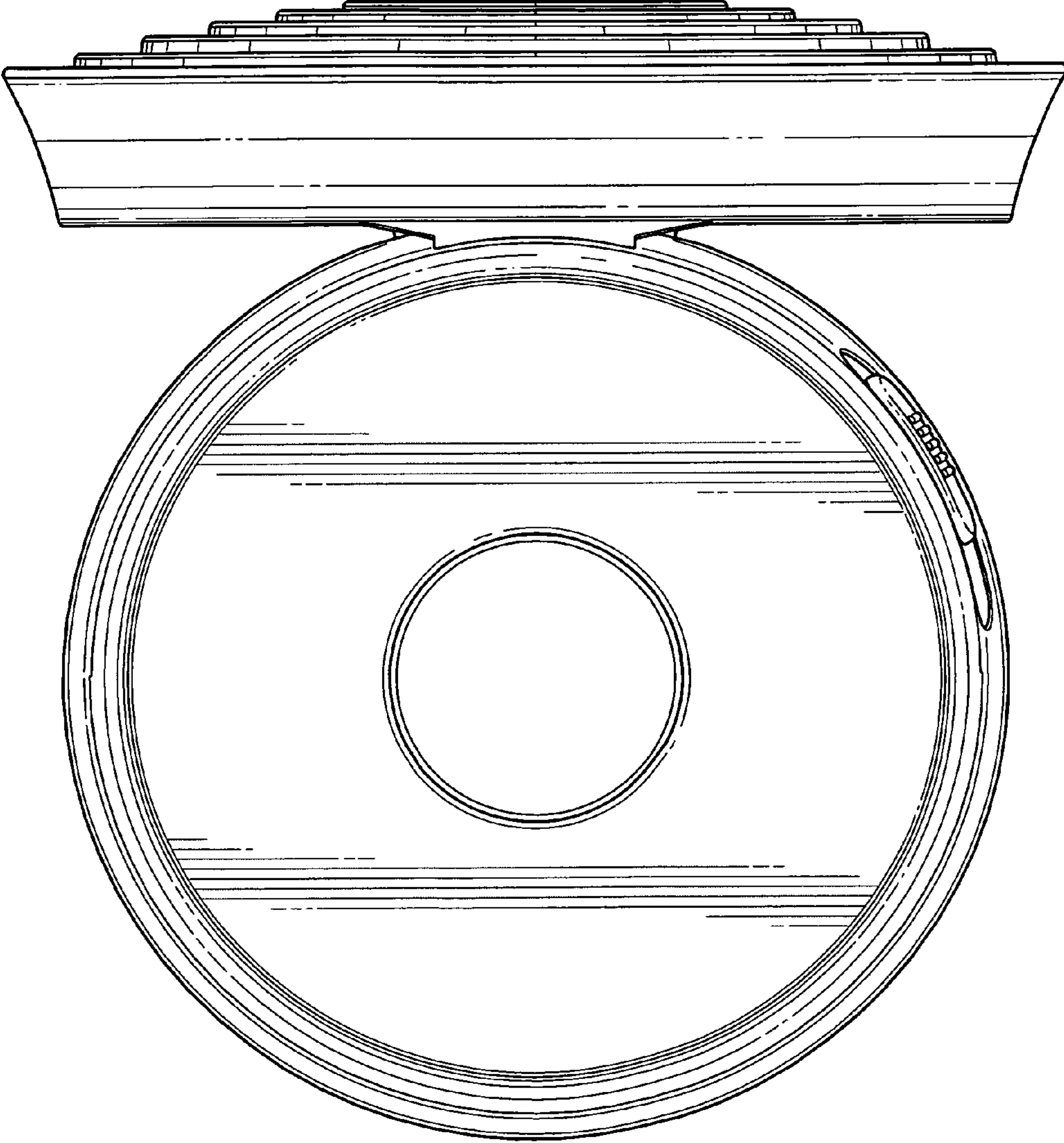


FIG. 8

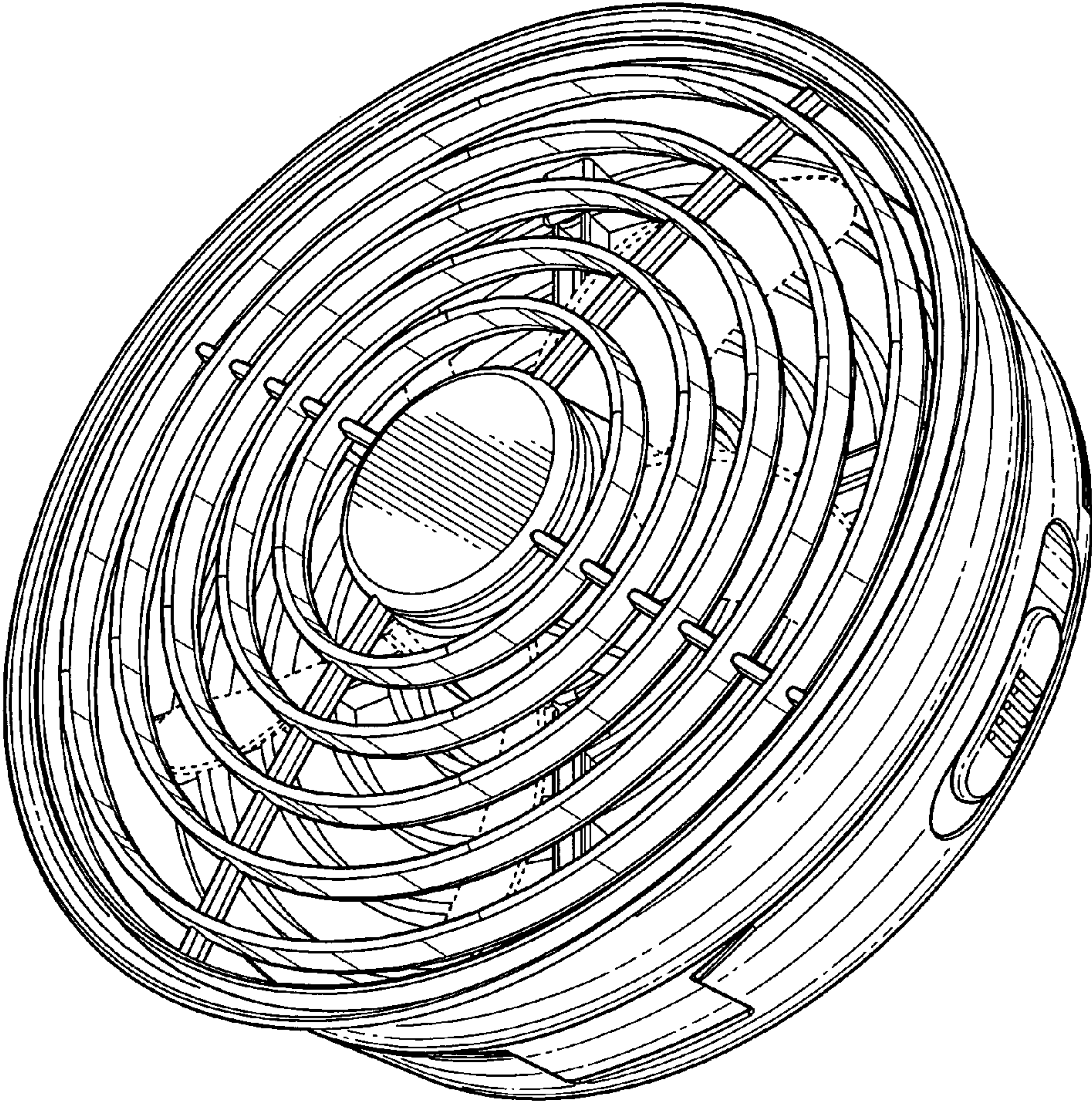


FIG. 9

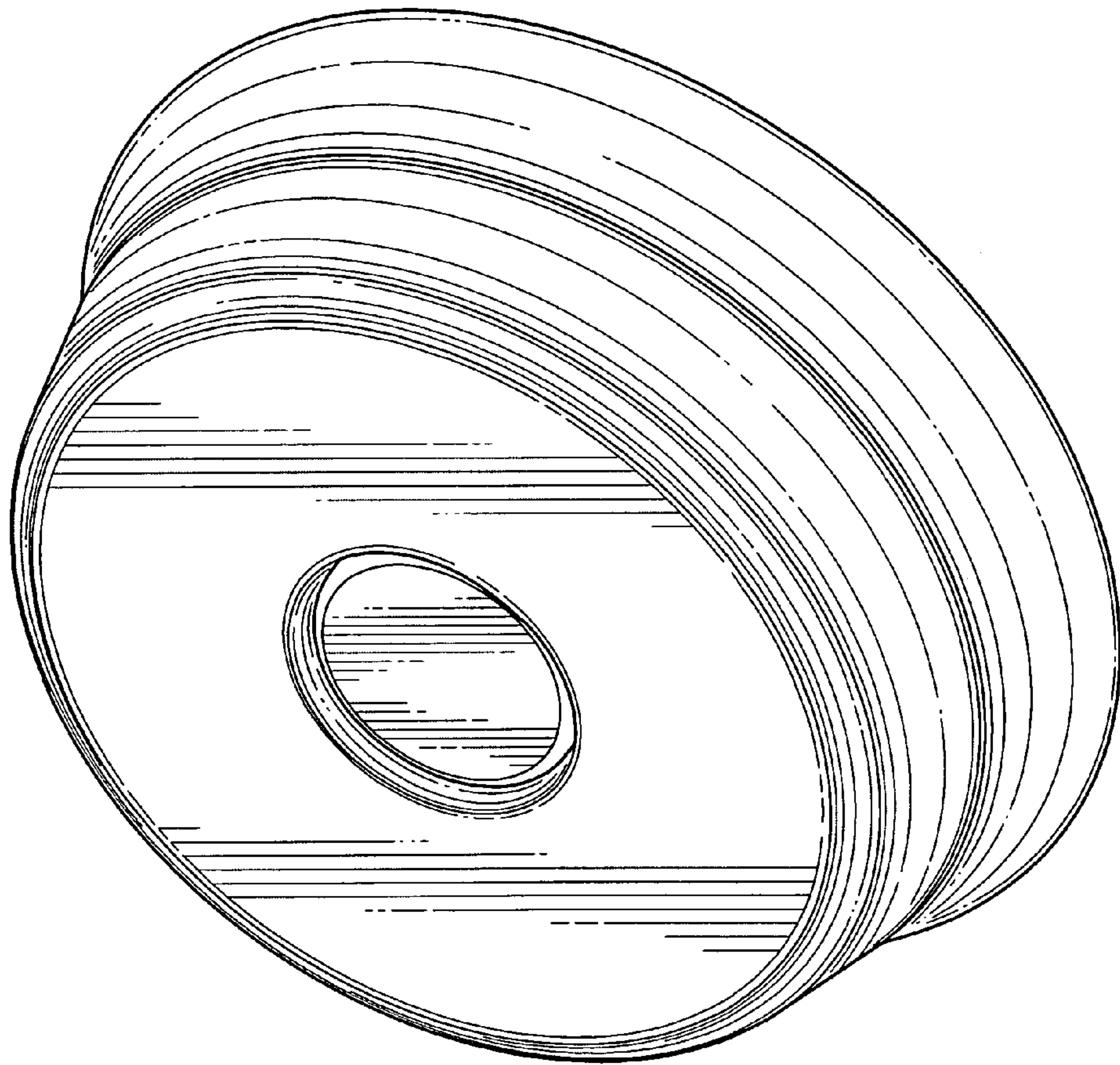


FIG. 10

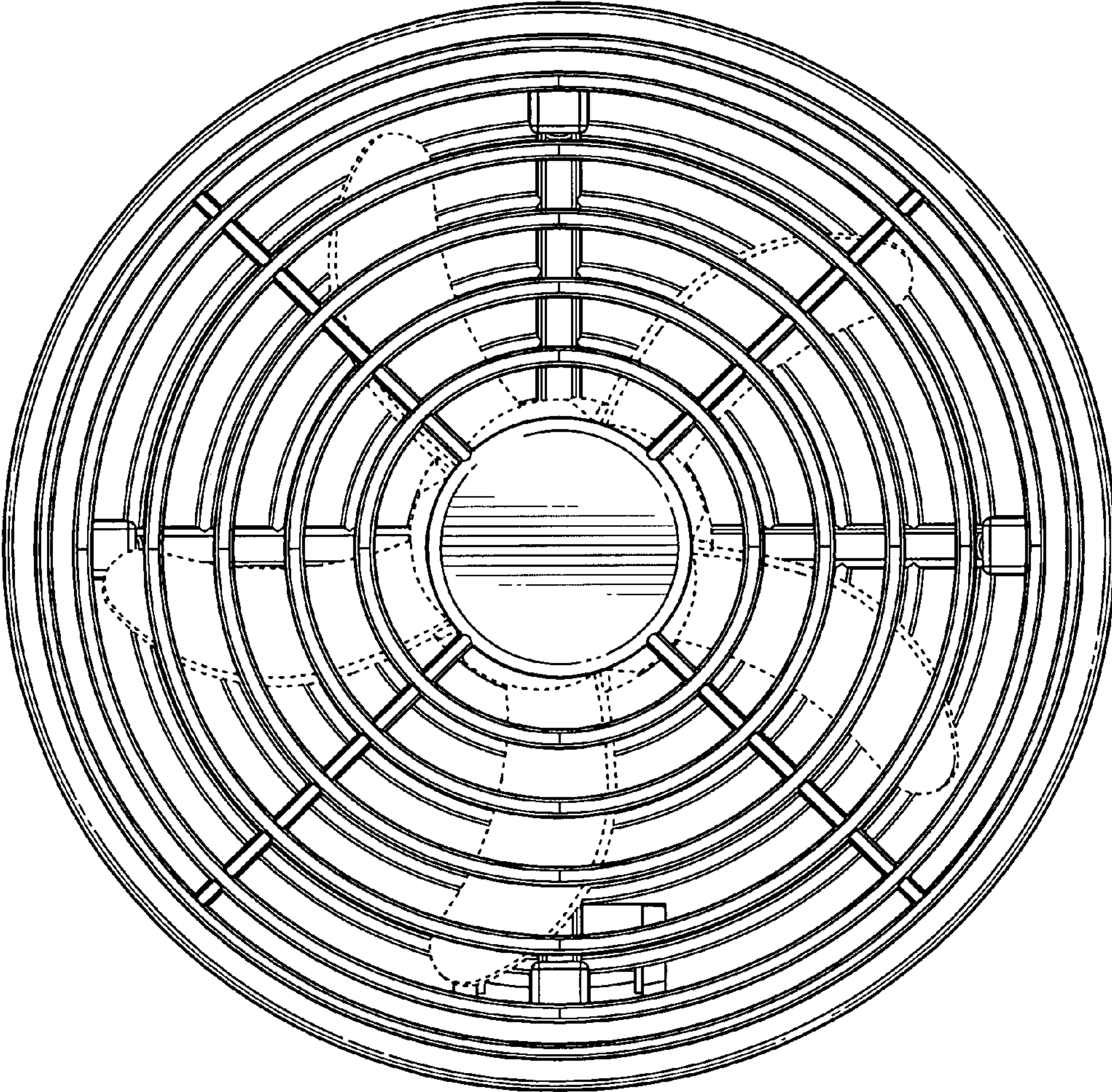


FIG. 11

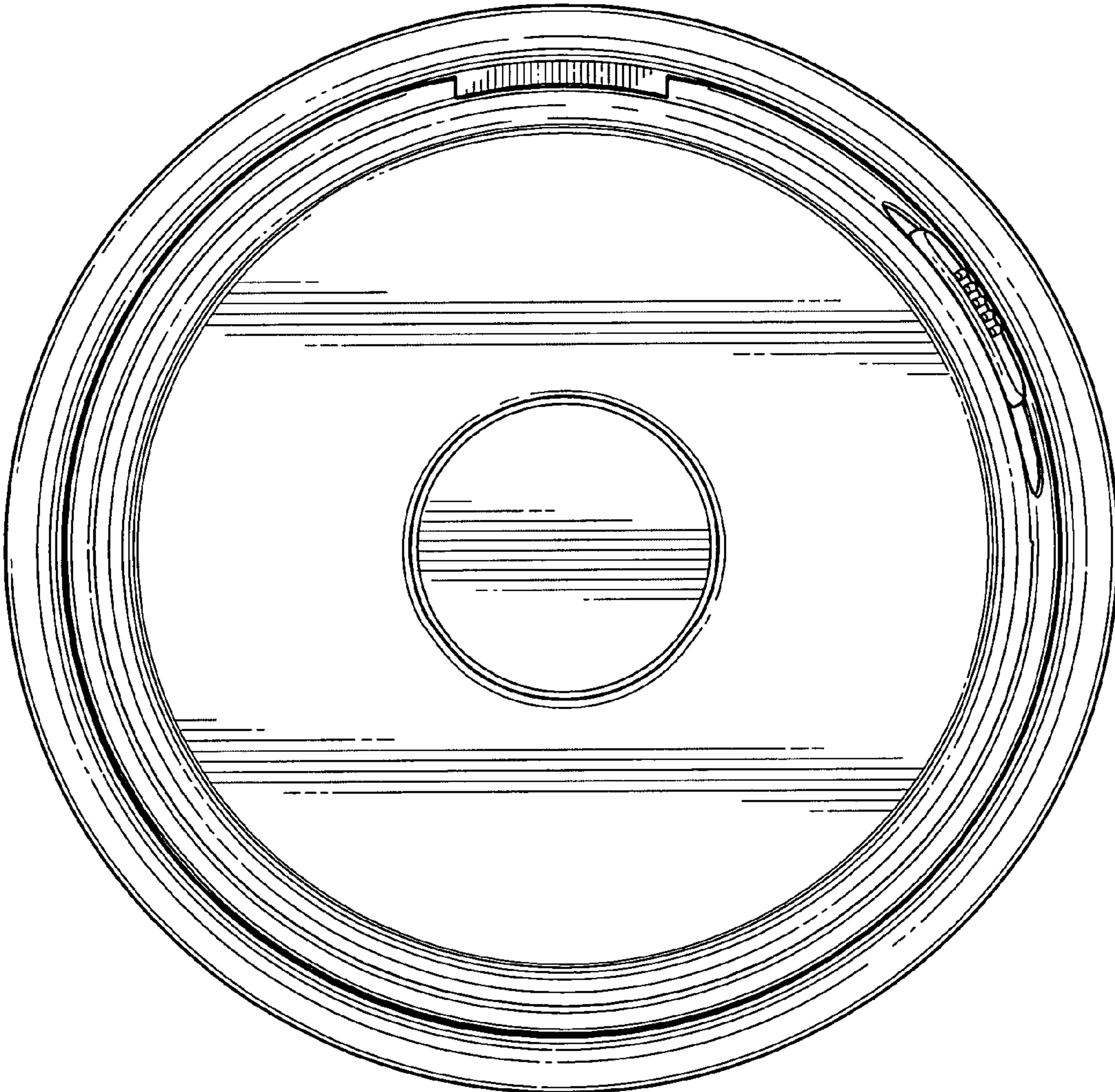


FIG. 12

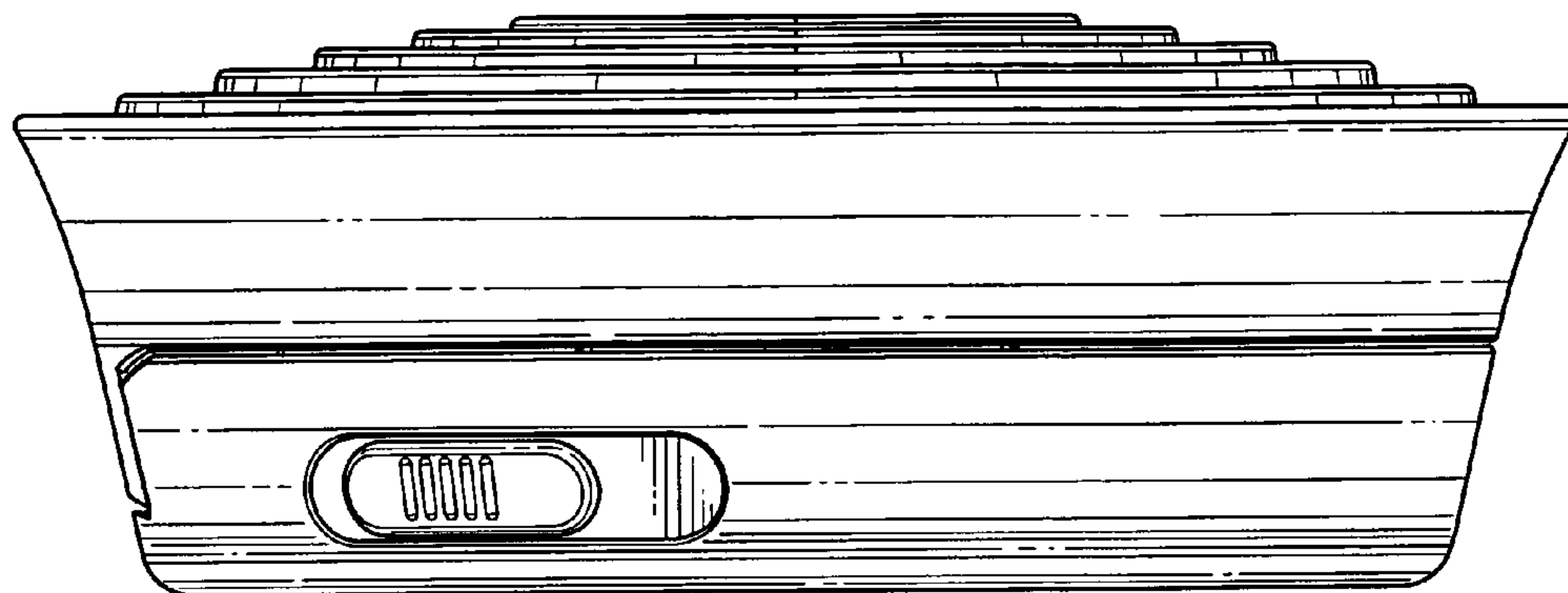


FIG. 13

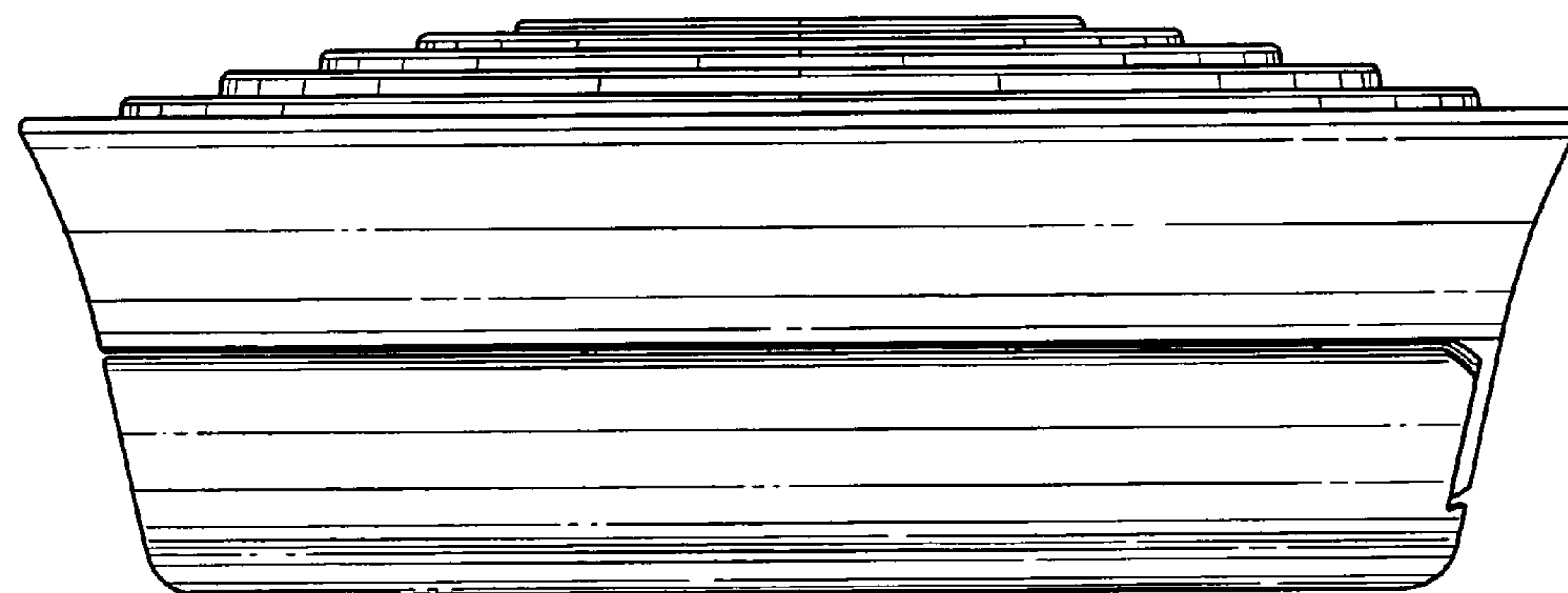


FIG. 14

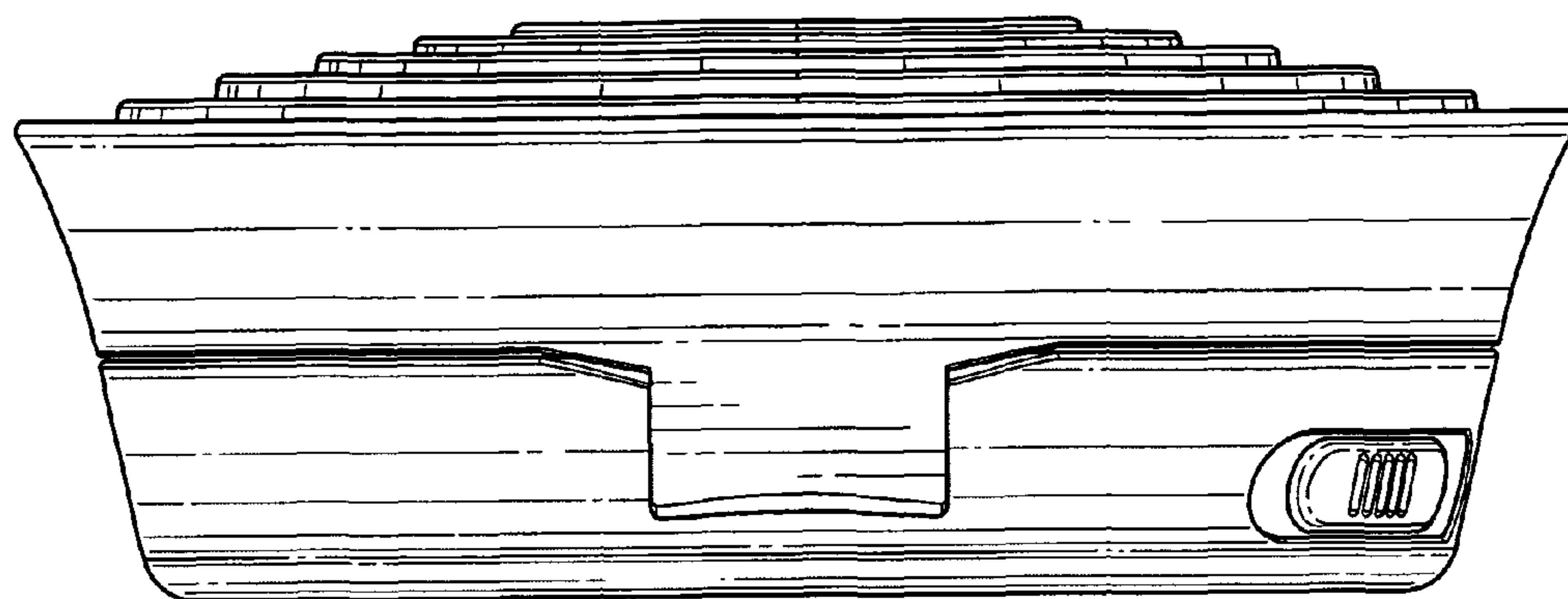


FIG. 15

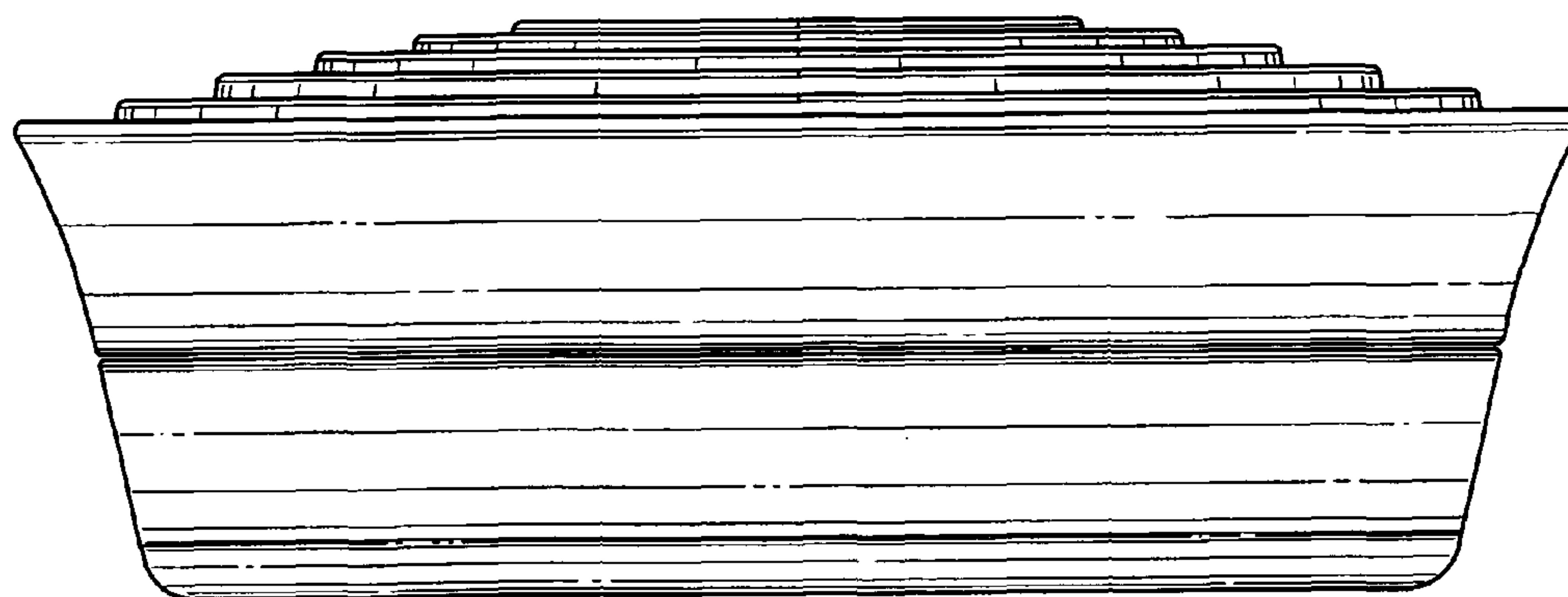


FIG. 16