



US00D684245S

(12) **United States Design Patent**
Dong

(10) **Patent No.:** **US D684,245 S**
(45) **Date of Patent:** **** Jun. 11, 2013**

- (54) **OIL FILLED RADIATOR**
- (75) Inventor: **Yuejun Dong**, Zhejiang (CN)
- (73) Assignee: **Ningbo SMAL Electrics Co., Ltd.**,
Yuyao, Zhejiang (CN)
- (**) Term: **14 Years**
- (21) Appl. No.: **29/422,372**
- (22) Filed: **May 18, 2012**
- (51) **LOC (9) Cl.** **23-03**
- (52) **U.S. Cl.**
USPC **D23/330**
- (58) **Field of Classification Search**
USPC D23/317, 314, 332, 333, 334, 335,
D23/337, 342, 351, 355, 378, 370, 381, 364,
D23/336, 341, 330; 416/244 R, 247 R,
53.1-53.3; 392/365, 367
See application file for complete search history.

- D428,644 S * 7/2000 De' Longhi D23/330
- D449,675 S * 10/2001 Shih D23/330
- D530,412 S * 10/2006 Aydin D23/330
- D624,166 S * 9/2010 Zanolin et al. D23/330
- 2002/0076213 A1* 6/2002 Pelonis 392/358

* cited by examiner

Primary Examiner — T. Chase Nelson

Assistant Examiner — Ania Aman

(74) *Attorney, Agent, or Firm* — Amster Rothstein & Ebenstein LLP

(57) **CLAIM**

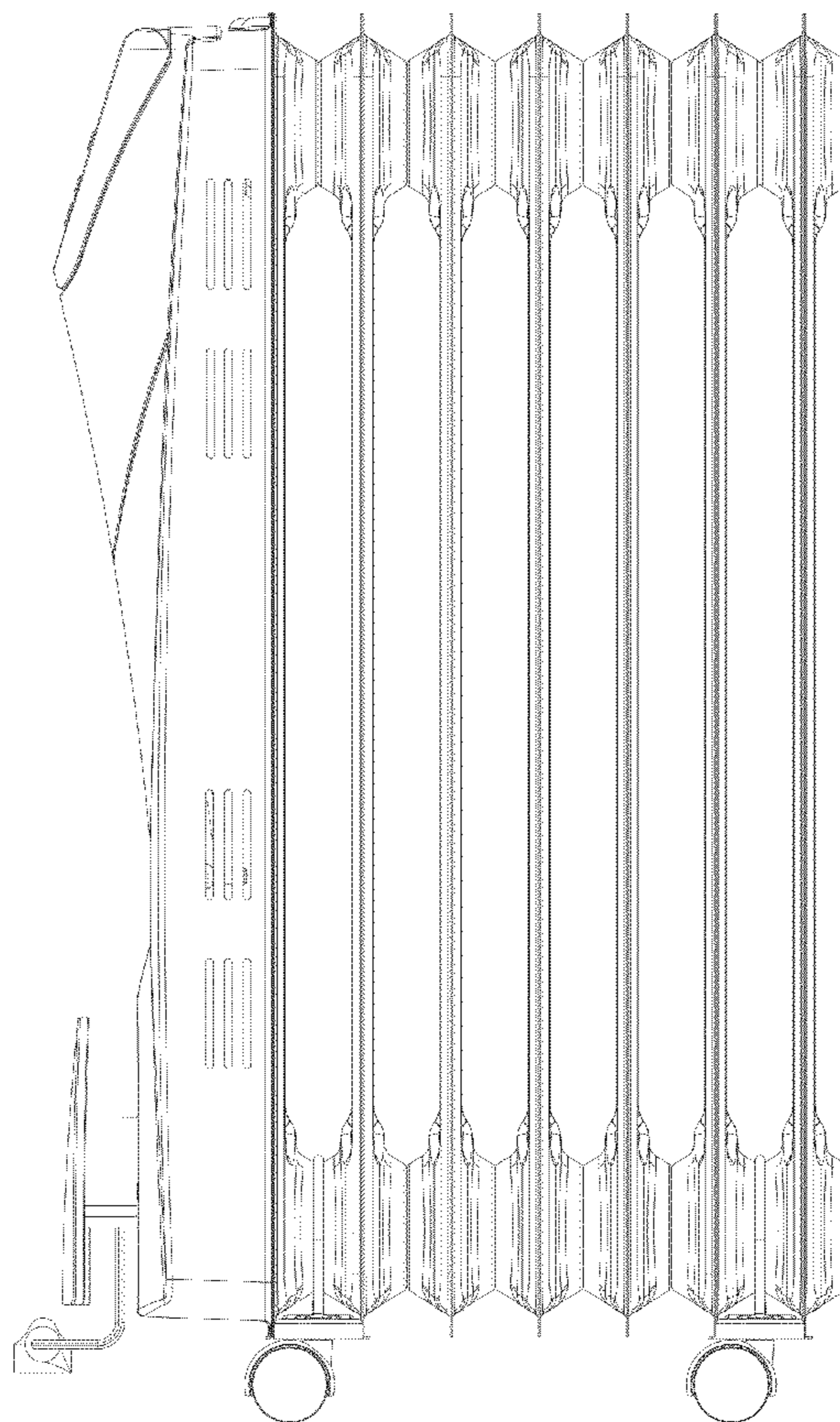
The ornamental design for an oil filled radiator, as shown and described.

DESCRIPTION

FIG. 1 is a front view of the oil filled radiator;
 FIG. 2 is a rear view of the oil filled radiator;
 FIG. 3 is a left side view of the oil filled radiator;
 FIG. 4 is a right side view of the oil filled radiator;
 FIG. 5 is a top view of the oil filled radiator; and
 FIG. 6 is a bottom view of the oil filled radiator; and,
 FIG. 7 is a perspective view of the oil filled radiator.
 The broken lines shown in the drawings are included for the purpose of illustrating portions of the article that form no part of the claimed design.

1 Claim, 5 Drawing Sheets

- (56) **References Cited**
U.S. PATENT DOCUMENTS
D341,654 S * 11/1993 Wortham D23/338
D359,344 S * 6/1995 De'Longhi D23/330
D397,193 S * 8/1998 Boyle et al. D23/330
5,966,498 A * 10/1999 Kirchner et al. 392/357
D423,090 S * 4/2000 Barbosa D23/330



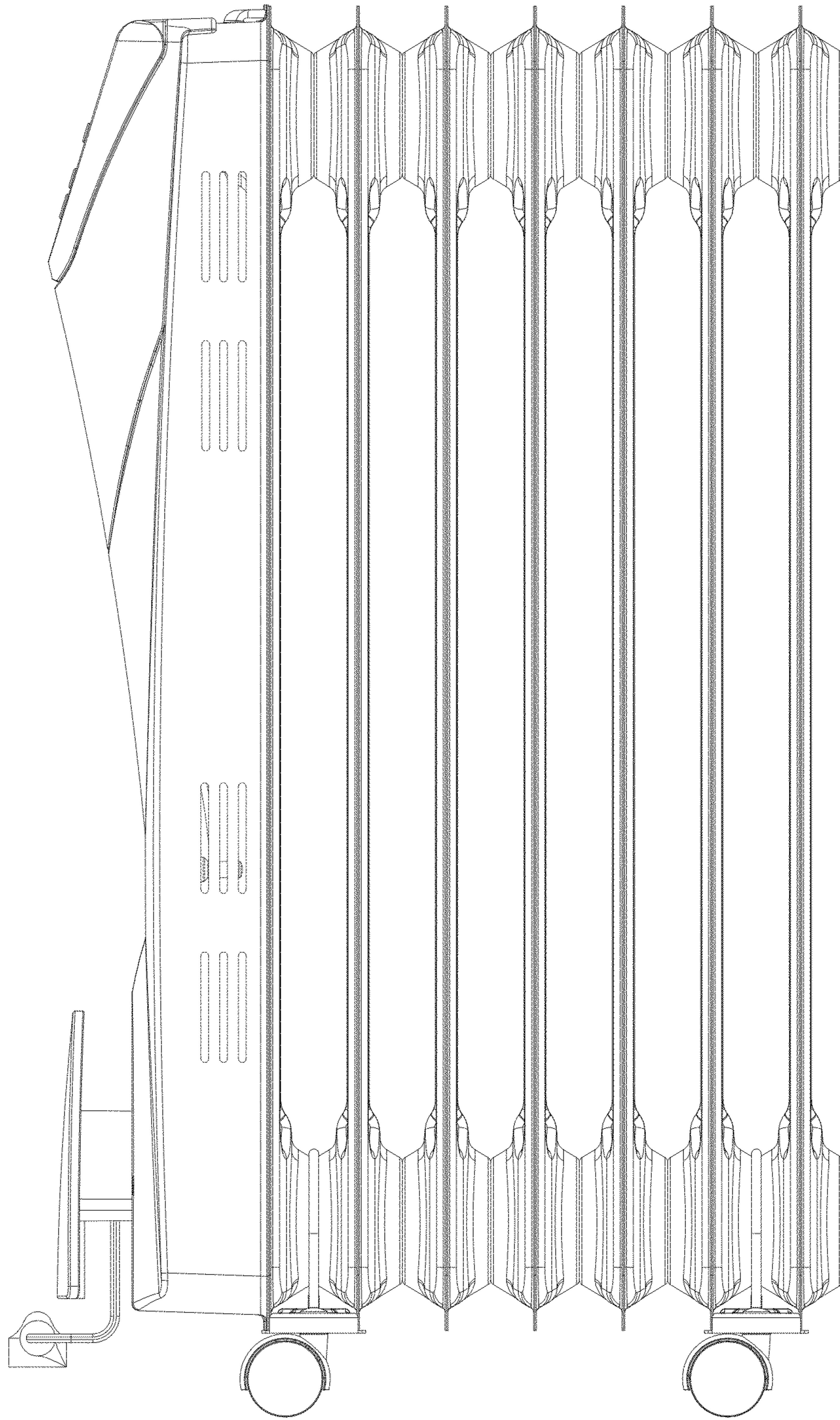


FIG. 1

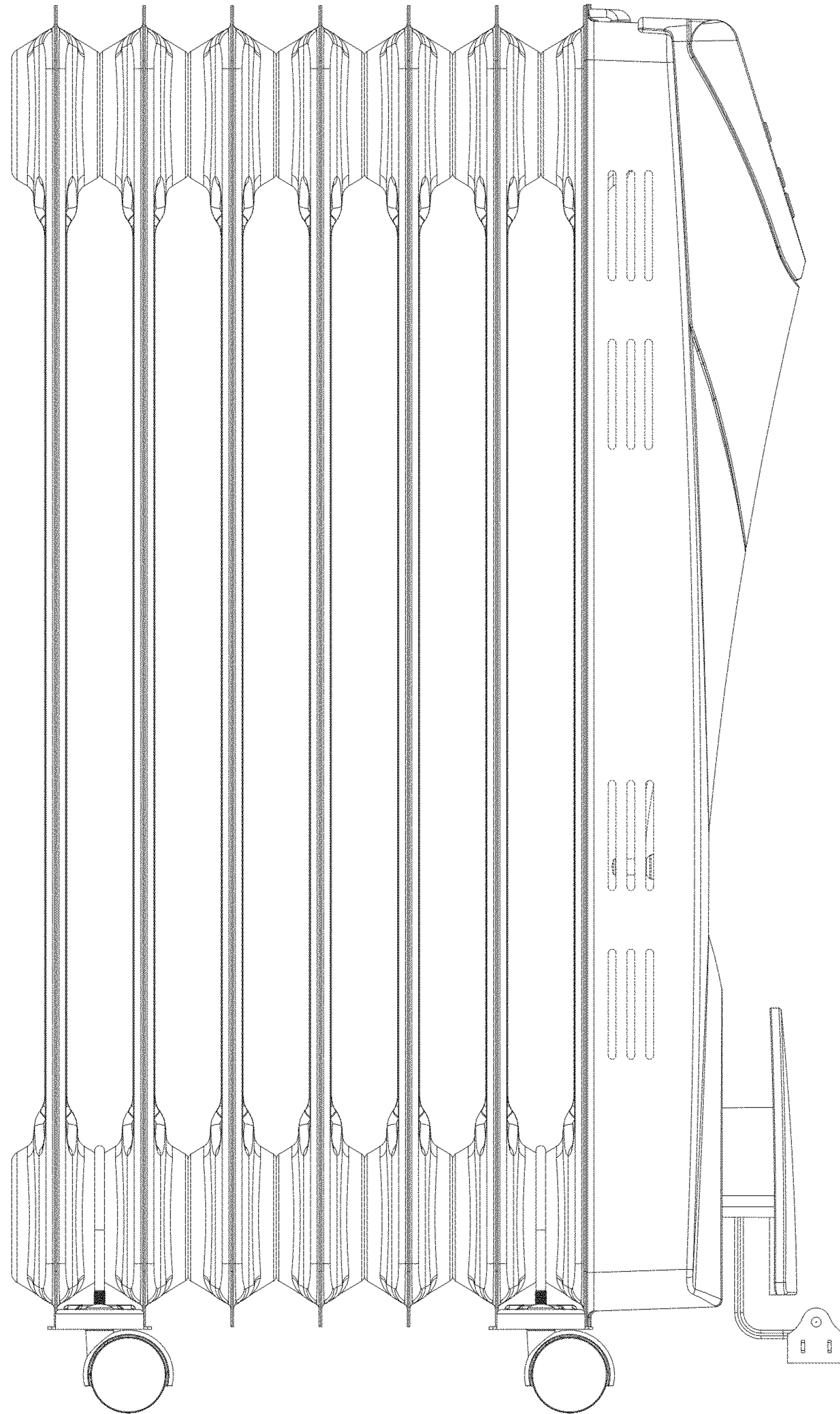


FIG. 2

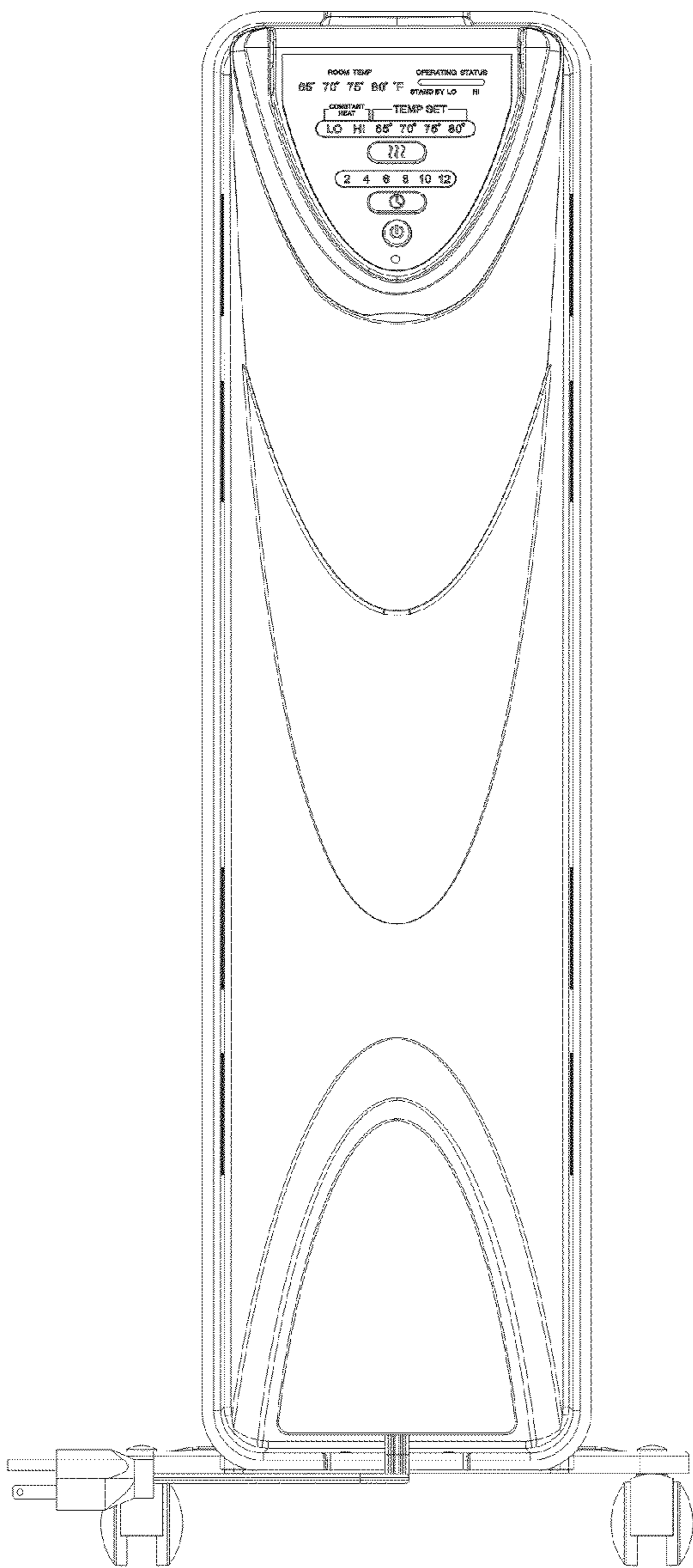


FIG. 3

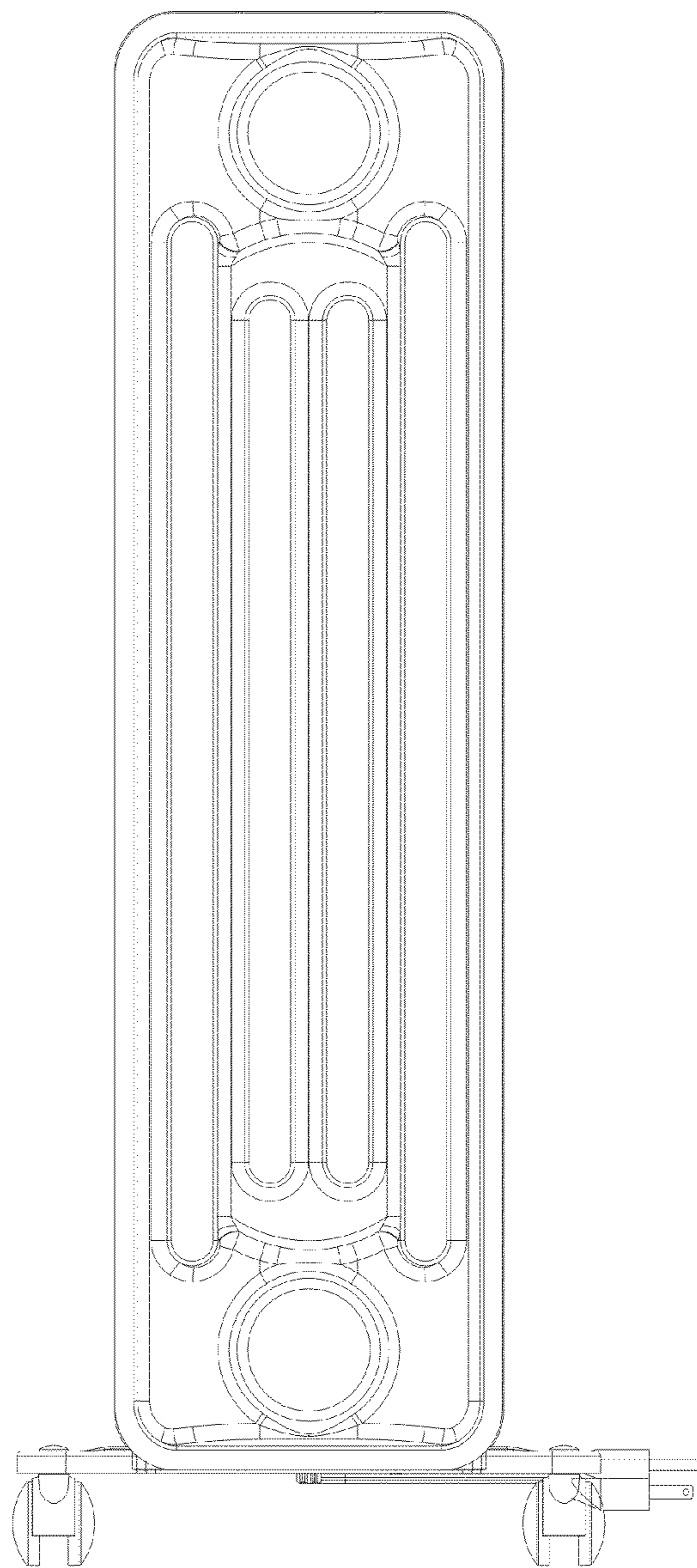


FIG. 4

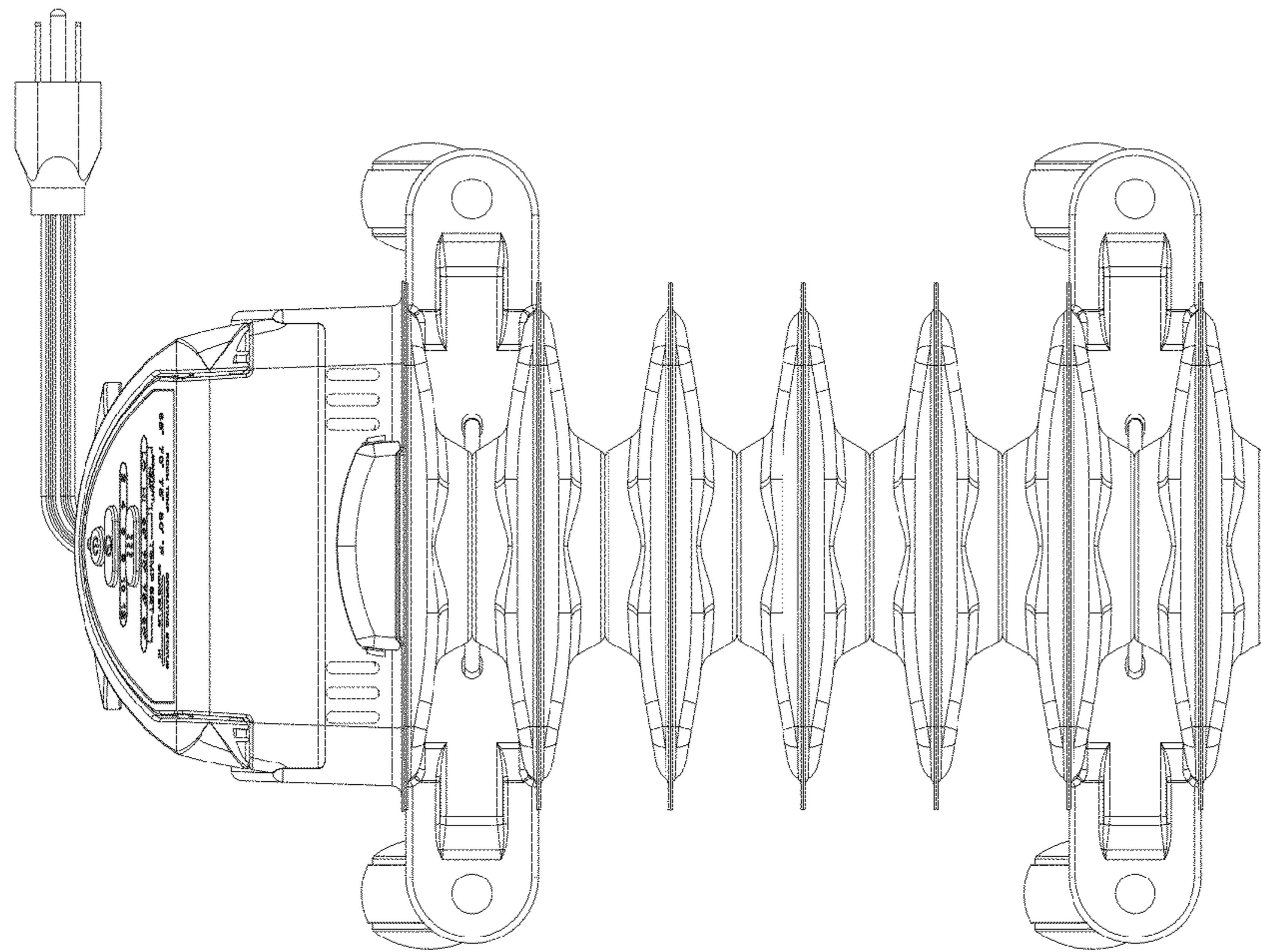


FIG. 5

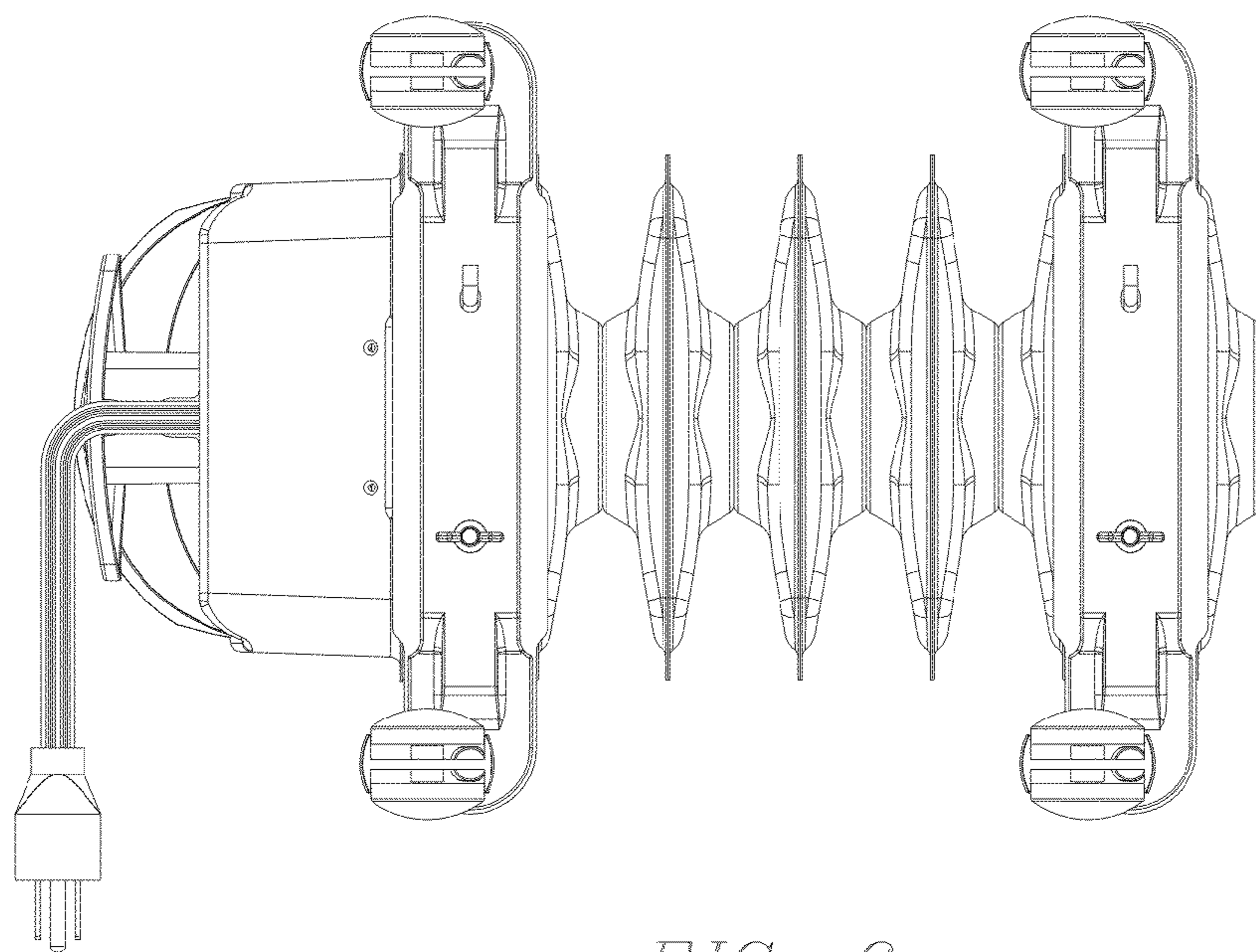


FIG. 6

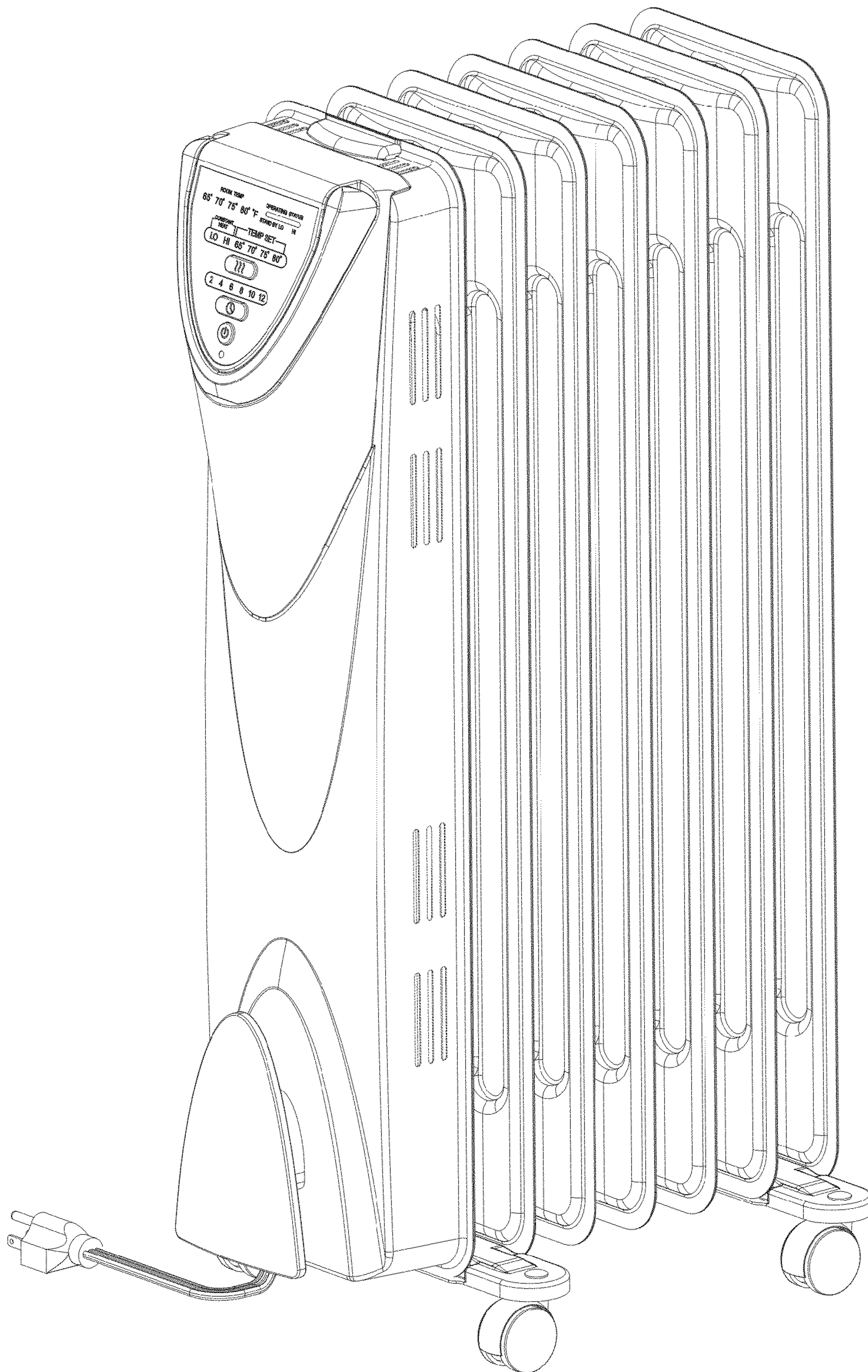


FIG. 7