



US00D684243S

(12) **United States Design Patent**
Lord

(10) **Patent No.:** **US D684,243 S**
(45) **Date of Patent:** **** Jun. 11, 2013**

(54) **FAUCET**

D674,054 S * 1/2013 Lord D23/252

(75) Inventor: **Judd Lord**, Fishers, IN (US)

* cited by examiner

(73) Assignee: **Masco Corporation of Indiana**,
Indianapolis, IN (US)

Primary Examiner — Robert Delehanty

(74) *Attorney, Agent, or Firm* — Edgar A. Zarins; Nirav D. Parikh; Lora J. Graentzdoerffer

(**) Term: **14 Years**

(57) **CLAIM**

The ornamental design for a faucet, as shown and described.

(21) Appl. No.: **29/417,876**

DESCRIPTION

(22) Filed: **Apr. 10, 2012**

(51) **LOC (9) Cl.** **23-01**

(52) **U.S. Cl.**

USPC **D23/238**

(58) **Field of Classification Search**

USPC D23/238–243, 250, 252, 254–255,
D23/257; 4/675–678; 137/801

See application file for complete search history.

FIG. 1 is a perspective view of a faucet showing my new design;

FIG. 2 is a top plan view thereof;

FIG. 3 is a front elevational view thereof;

FIG. 4 is a rear view thereof;

FIG. 5 is a right side view thereof;

FIG. 6 is a left side view thereof; and,

FIG. 7 is a bottom view thereof.

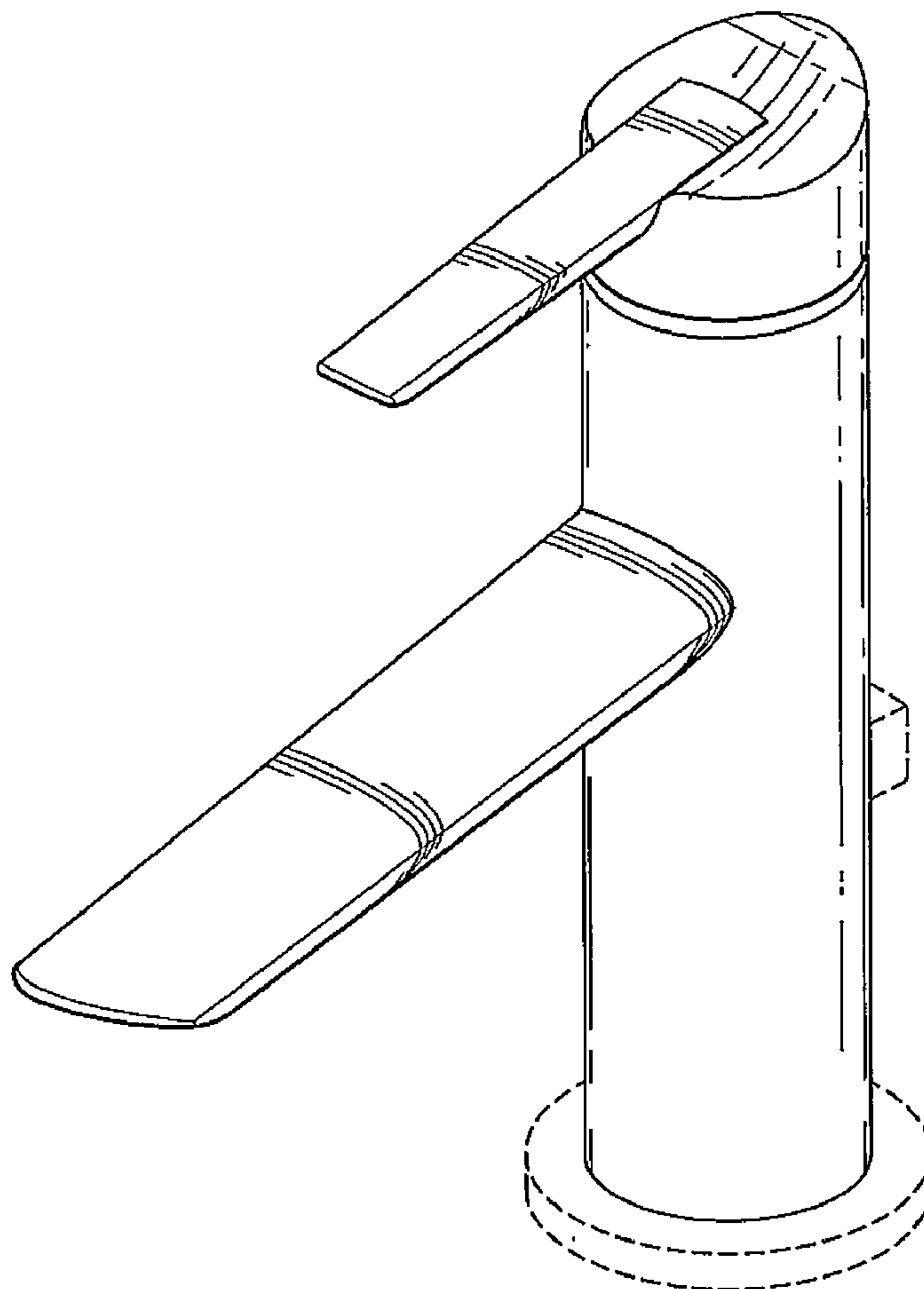
The broken line showing portions of the faucet is included for the purpose of illustrating a portion of the faucet that forms no part of the claimed design.

(56) **References Cited**

U.S. PATENT DOCUMENTS

D636,061 S * 4/2011 Kulig D23/238

1 Claim, 2 Drawing Sheets



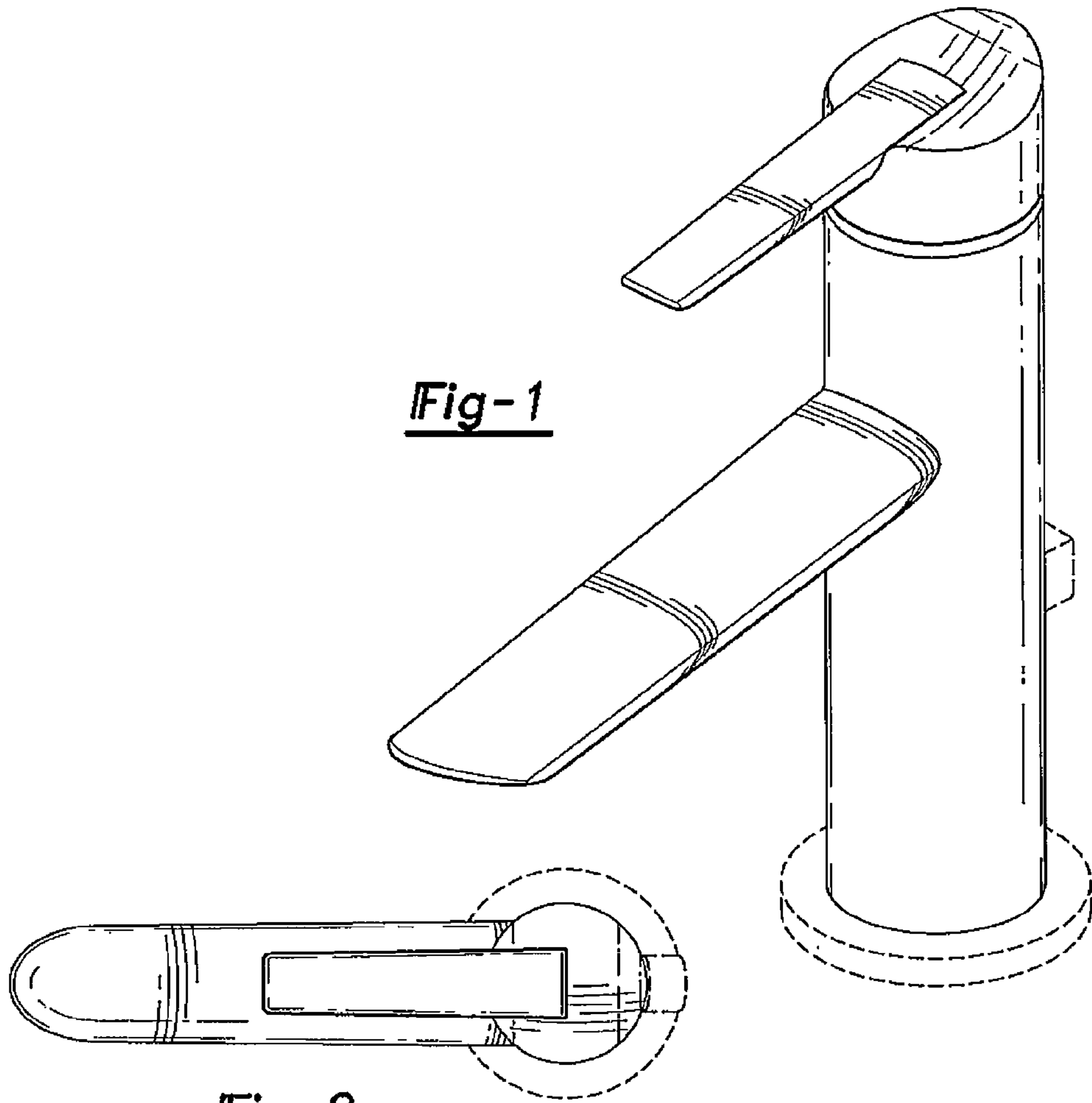


Fig-1

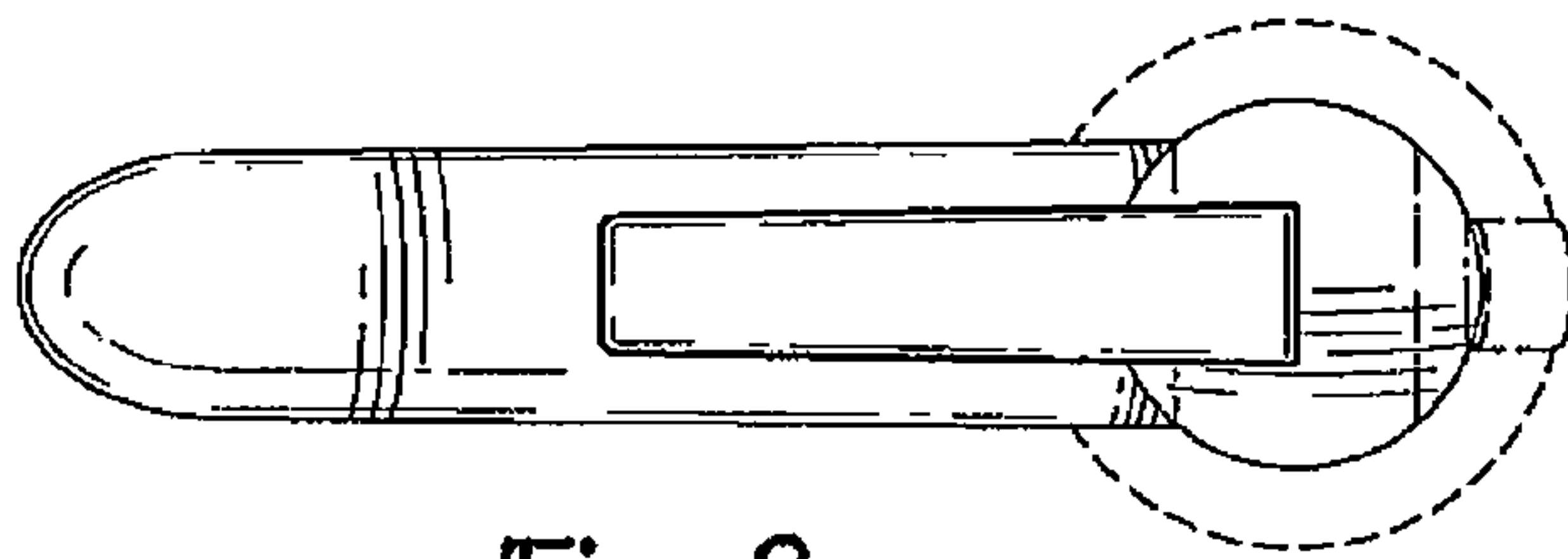


Fig-2

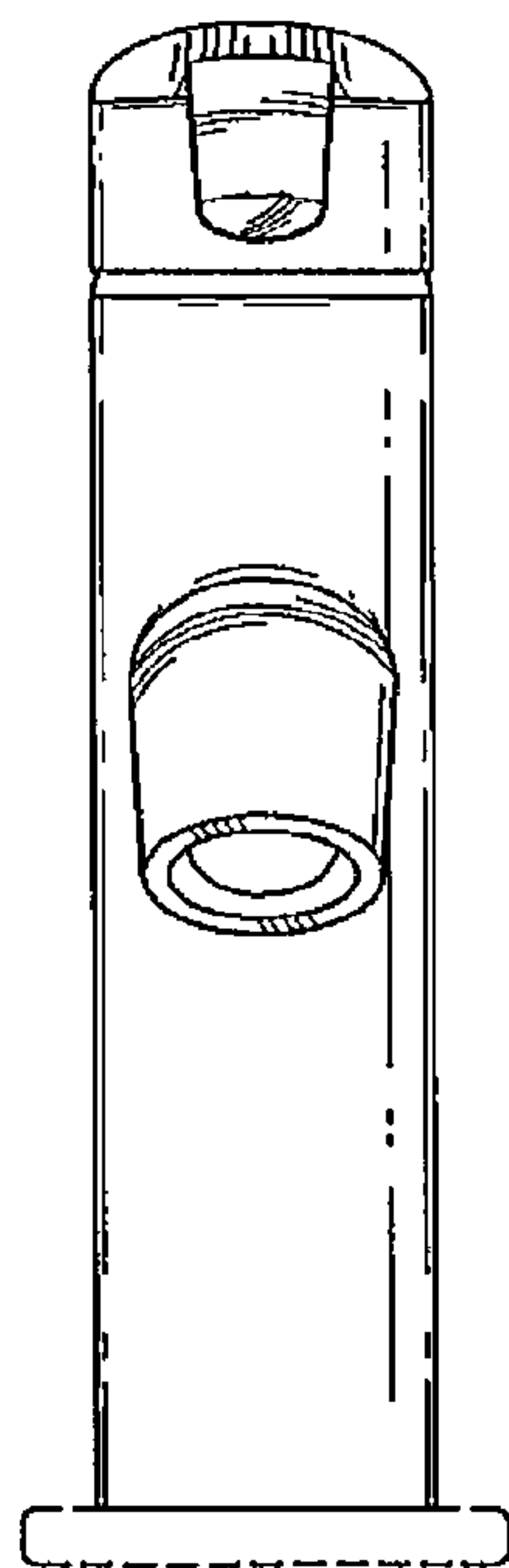


Fig-3

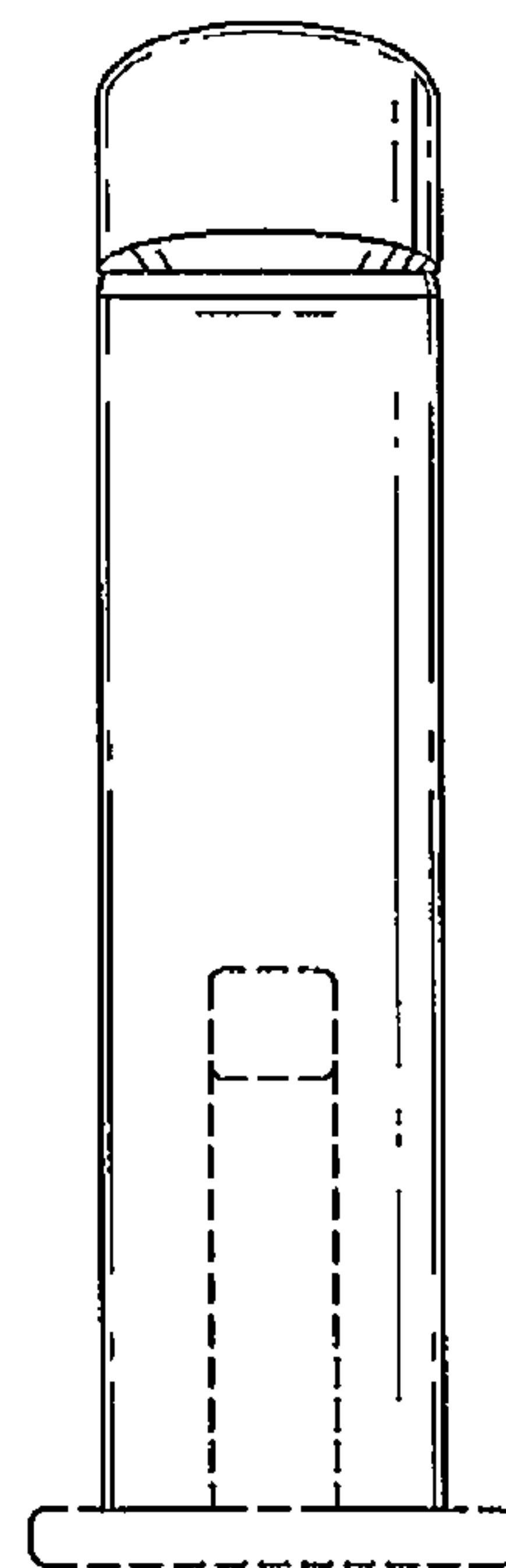


Fig-4

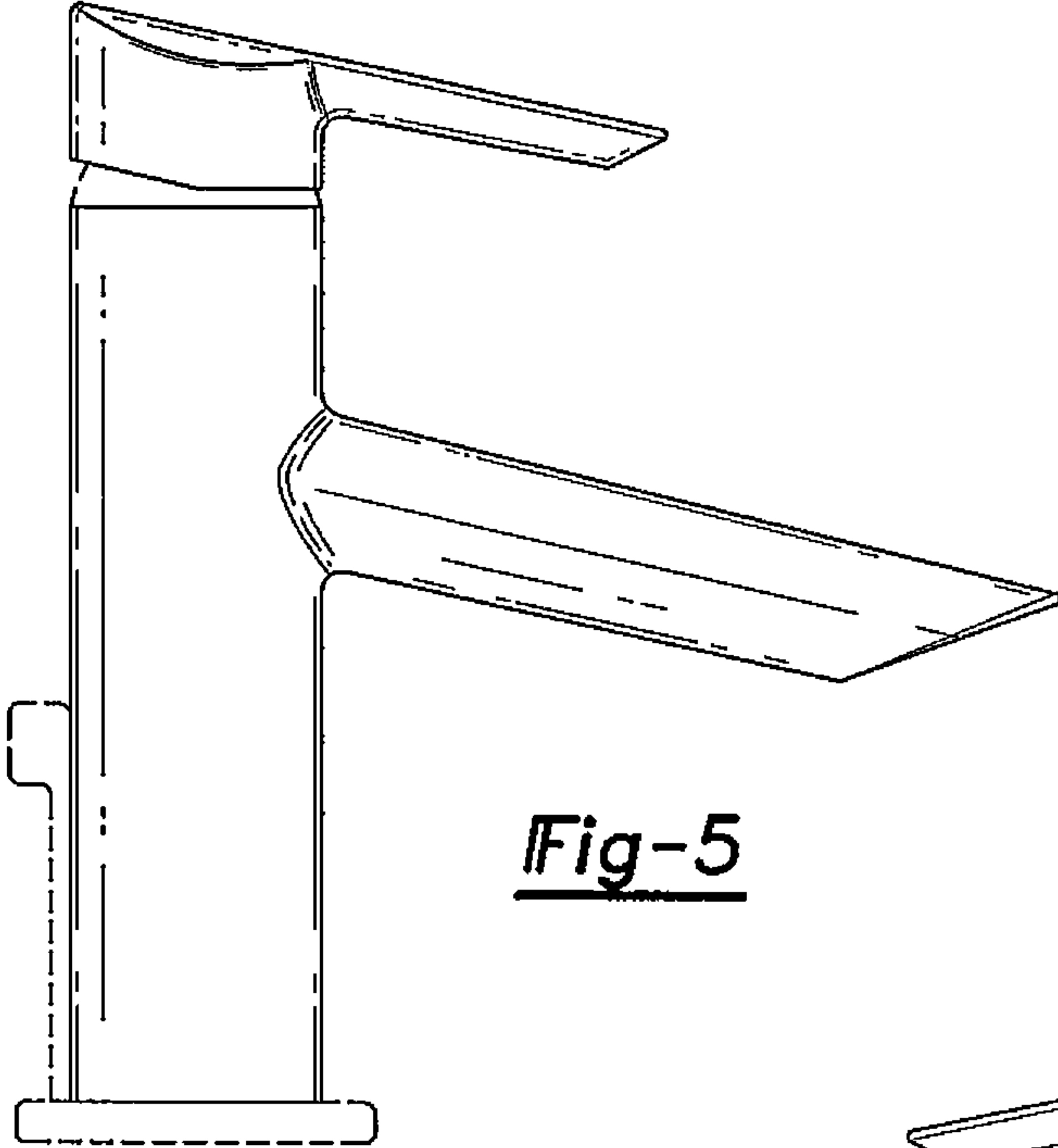


Fig-5

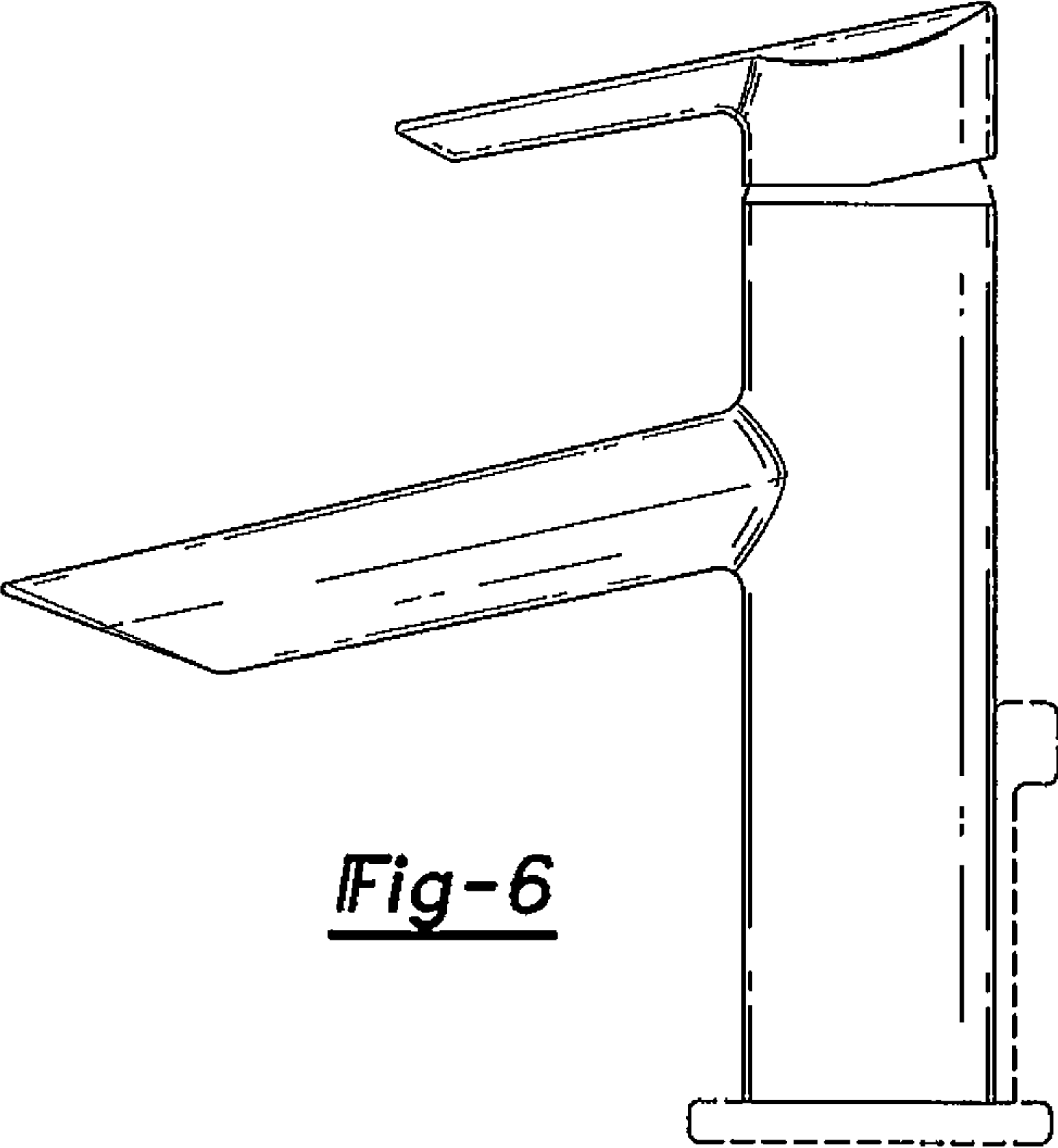


Fig-6

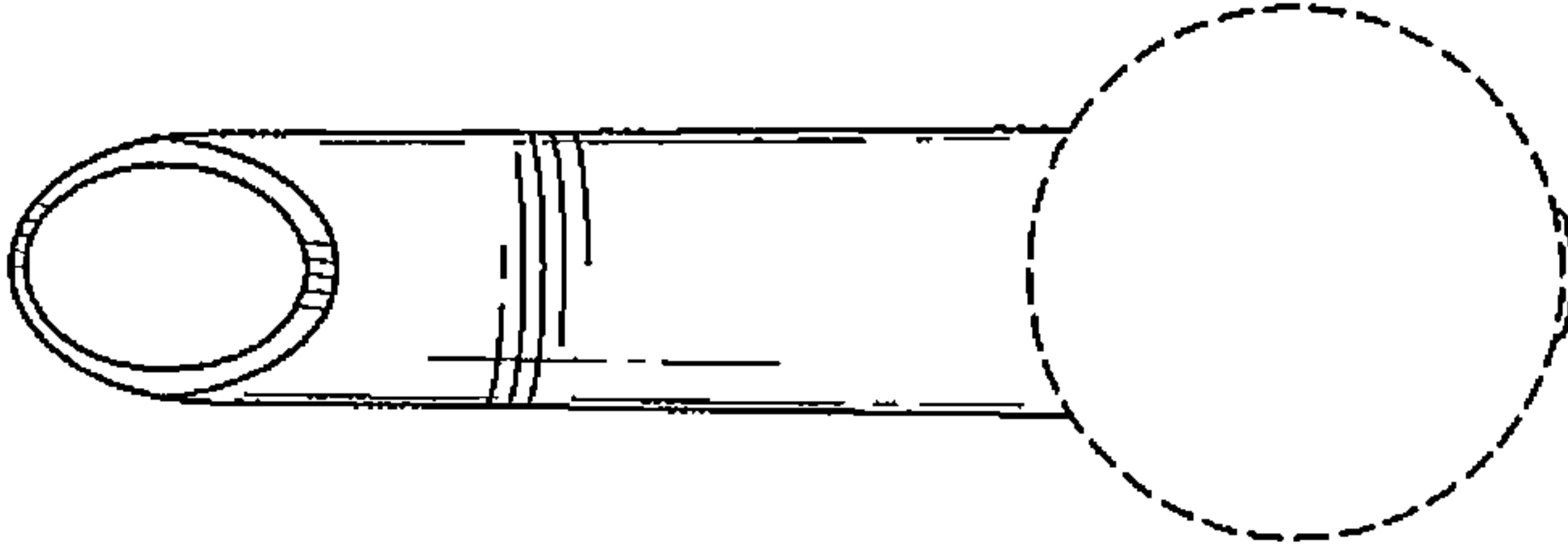


Fig-7