



US00D684241S

(12) **United States Design Patent**  
**Tempel**

(10) **Patent No.:** **US D684,241 S**

(45) **Date of Patent:** **\*\* Jun. 11, 2013**

(54) **PUSH BUTTON AERATOR**

D577,416 S \* 9/2008 Buttgen ..... D23/213

(75) Inventor: **Marc Tempel**, Freiburg (DE)

\* cited by examiner

(73) Assignee: **Neoperl GmbH**, Mullheim (DE)

*Primary Examiner* — Robin V Webster

(74) *Attorney, Agent, or Firm* — Volpe and Koenig, P.C.

(\*\*) Term: **14 Years**

(21) Appl. No.: **29/390,852**

(57) **CLAIM**

The ornamental design for a push button aerator, as shown and described.

(22) Filed: **Apr. 29, 2011**

**DESCRIPTION**

(30) **Foreign Application Priority Data**

Feb. 16, 2011 (EM) ..... 001260764-01/08

(51) **LOC (9) Cl.** ..... **23-01**

(52) **U.S. Cl.**

USPC ..... **D23/213**

(58) **Field of Classification Search**

USPC . D23/213, 249; 239/428.5, 437; 261/DIG. 22

See application file for complete search history.

FIG. 1 is a top plan view of a first embodiment of a push button aerator in accordance with my design;

FIG. 2 is a top, front perspective view thereof;

FIG. 3 is a bottom view thereof;

FIG. 4 is a bottom, rear perspective view thereof; and

FIG. 5 is an elevational view thereof;

FIG. 6 is a top plan view of a second embodiment of a push button aerator in accordance with my design;

FIG. 7 is a top, front perspective view thereof;

FIG. 8 is a bottom view thereof;

FIG. 9 is a bottom, rear perspective view thereof; and,

FIG. 10 is an elevational view thereof.

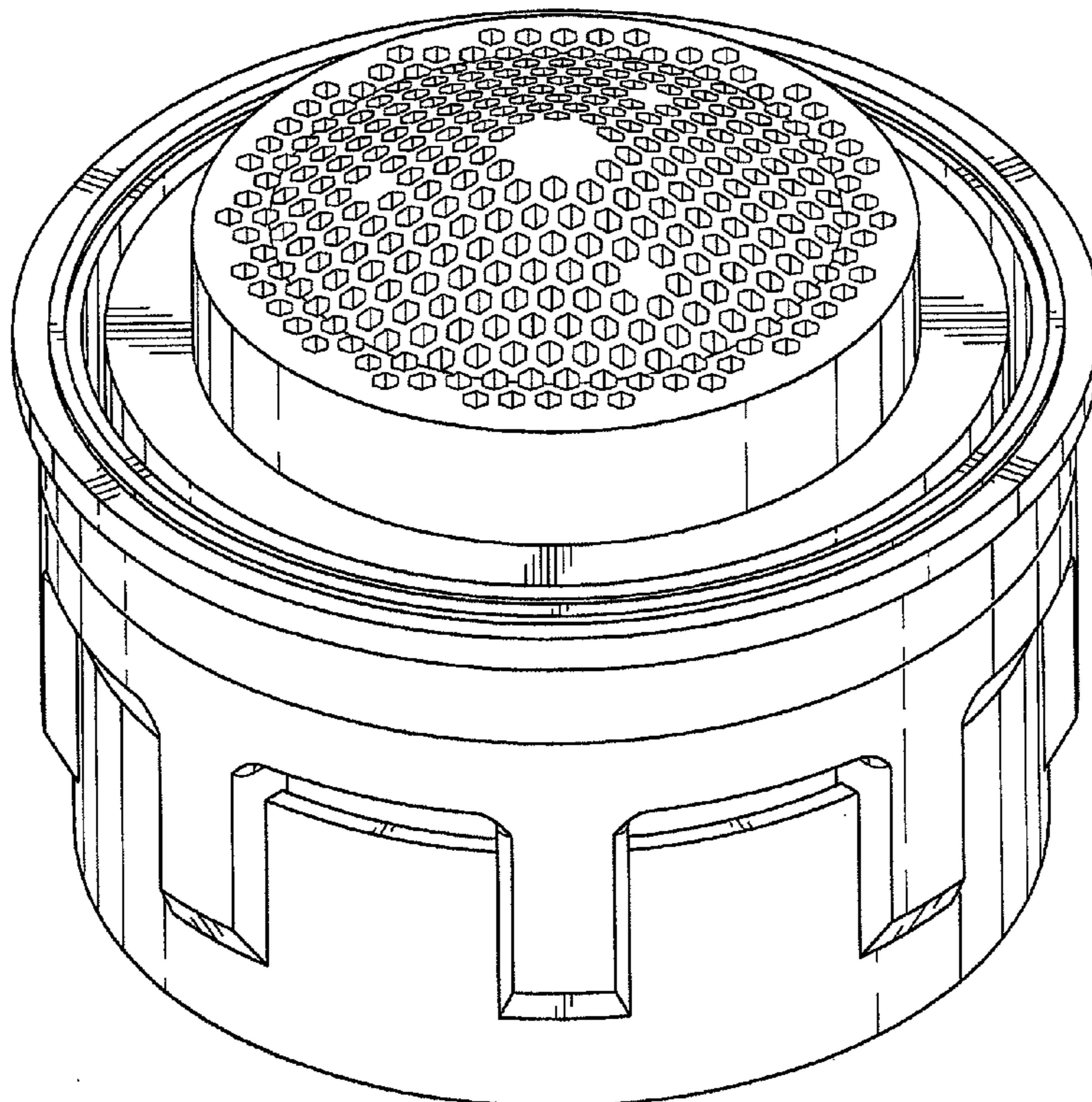
(56) **References Cited**

**U.S. PATENT DOCUMENTS**

D536,417 S \* 2/2007 Buttgen ..... D23/213

D537,916 S \* 3/2007 Buttgen ..... D23/213

**1 Claim, 10 Drawing Sheets**



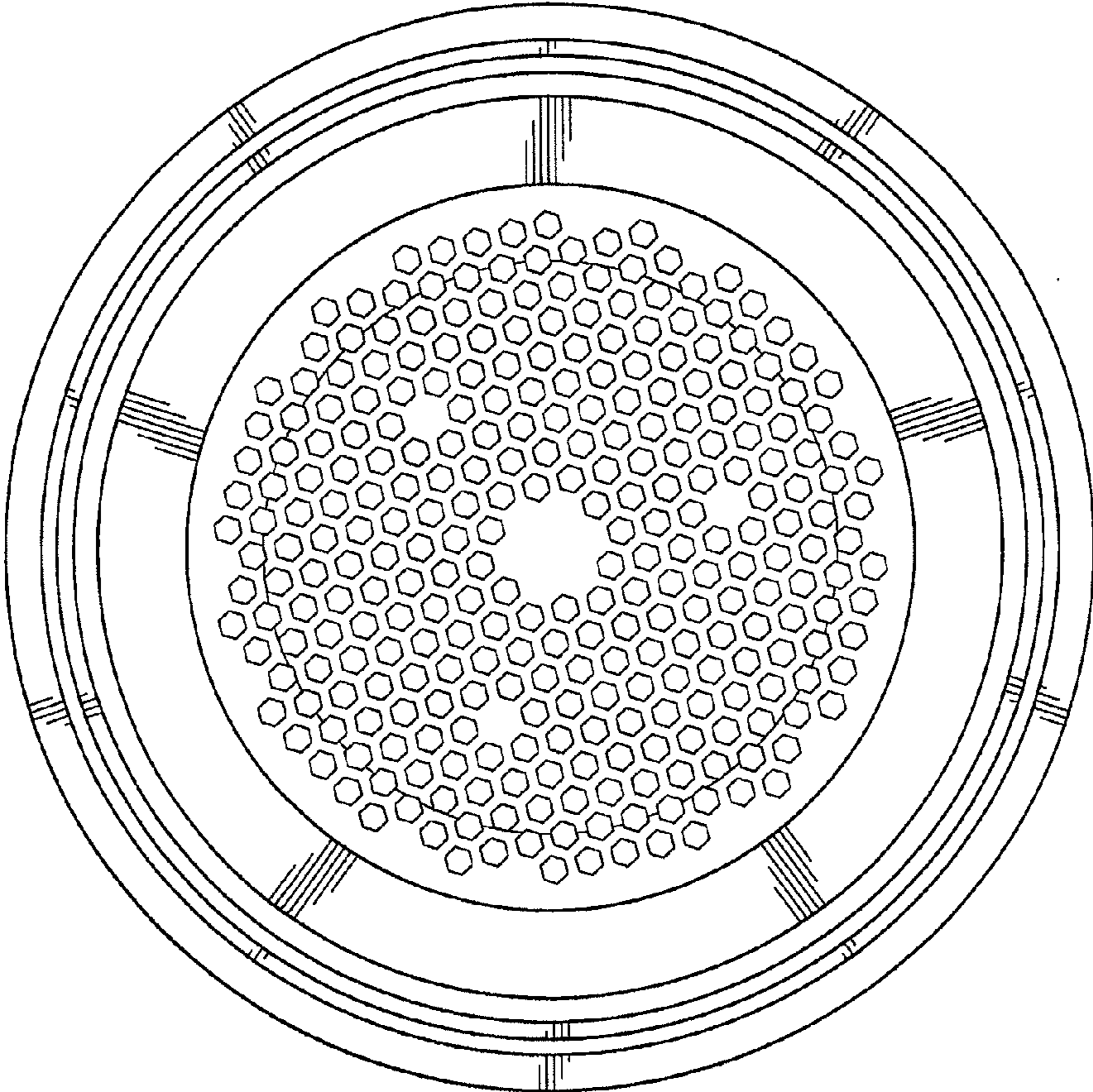


Fig. 1

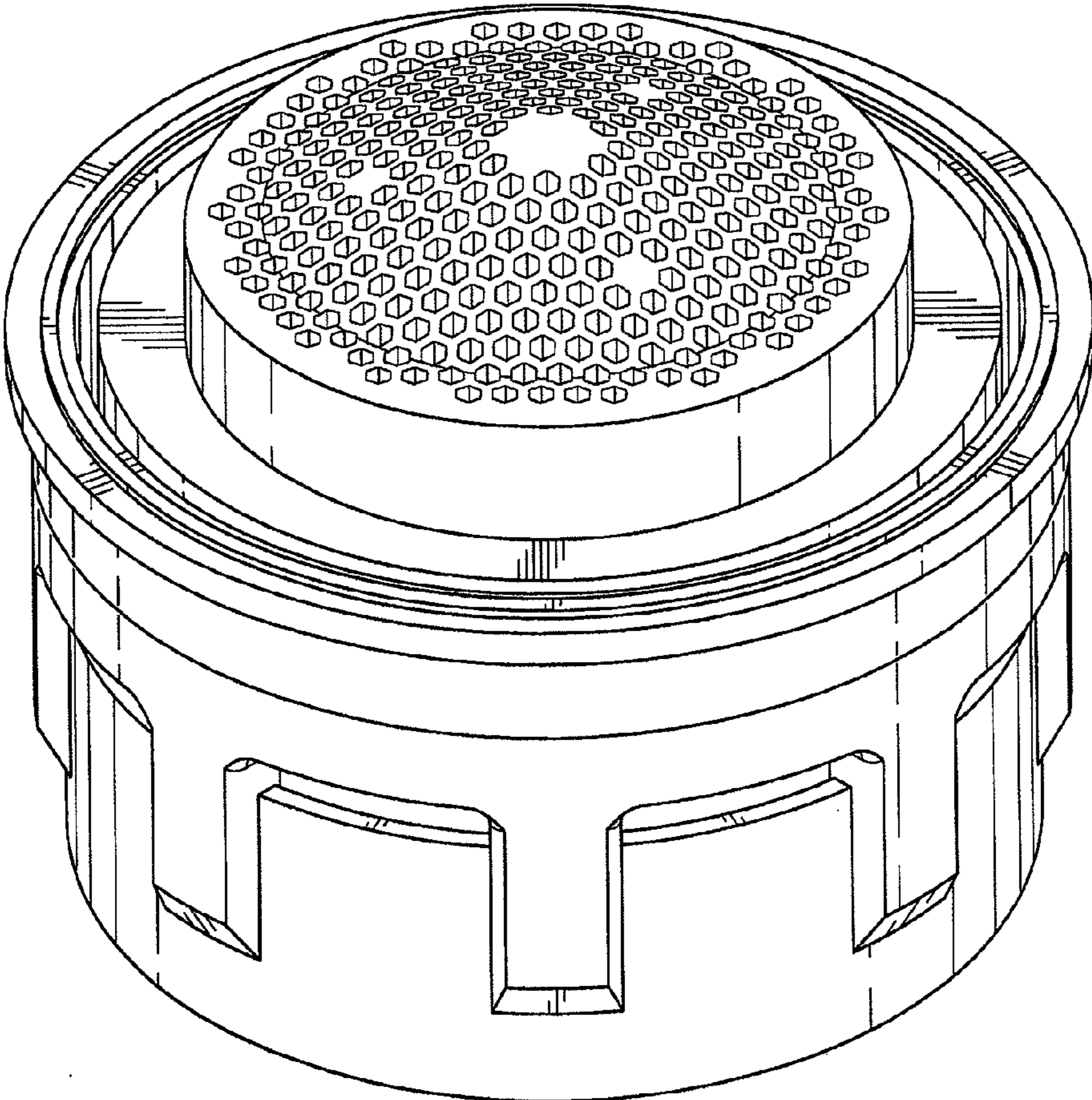


Fig. 2



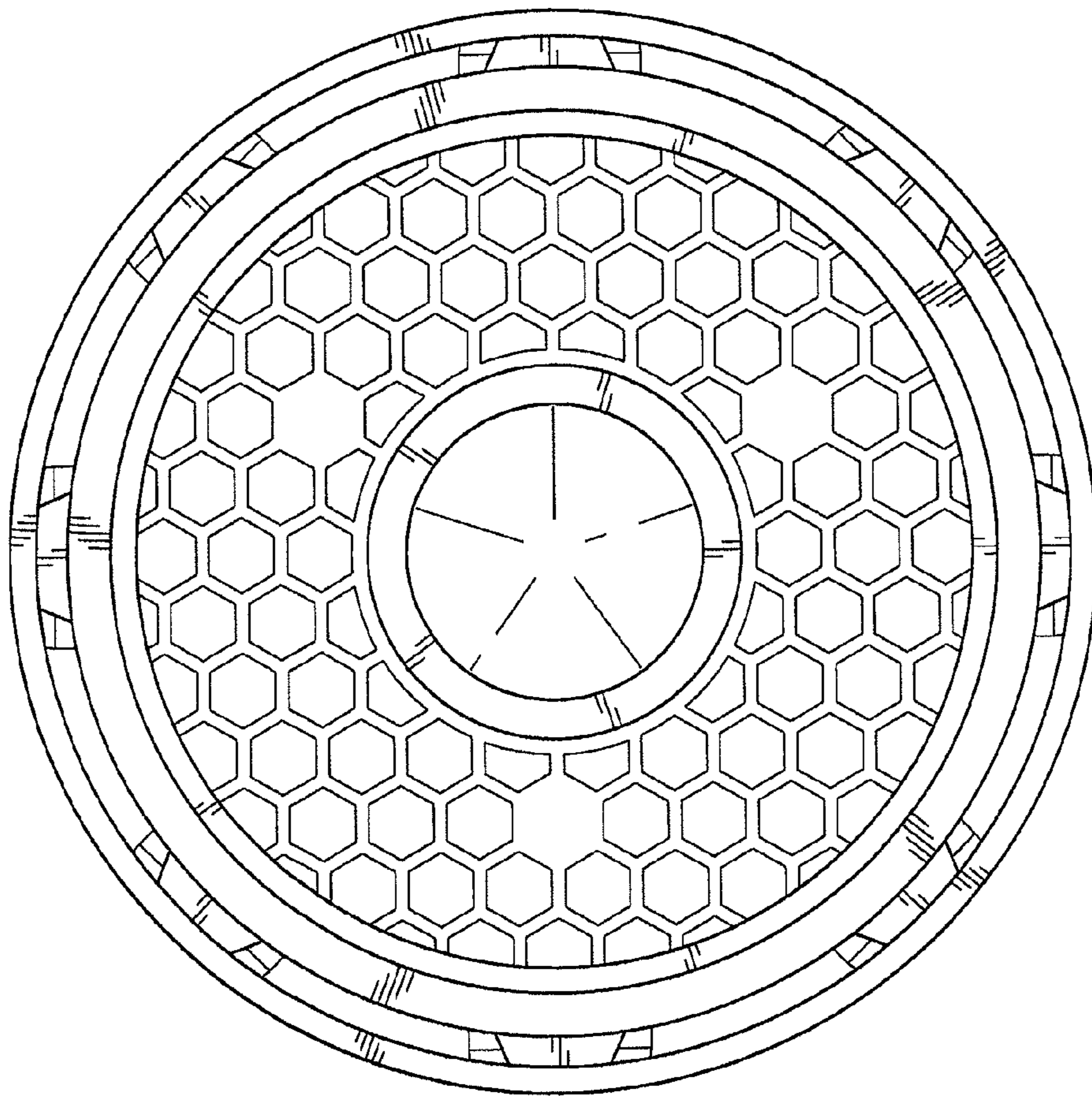


Fig. 3

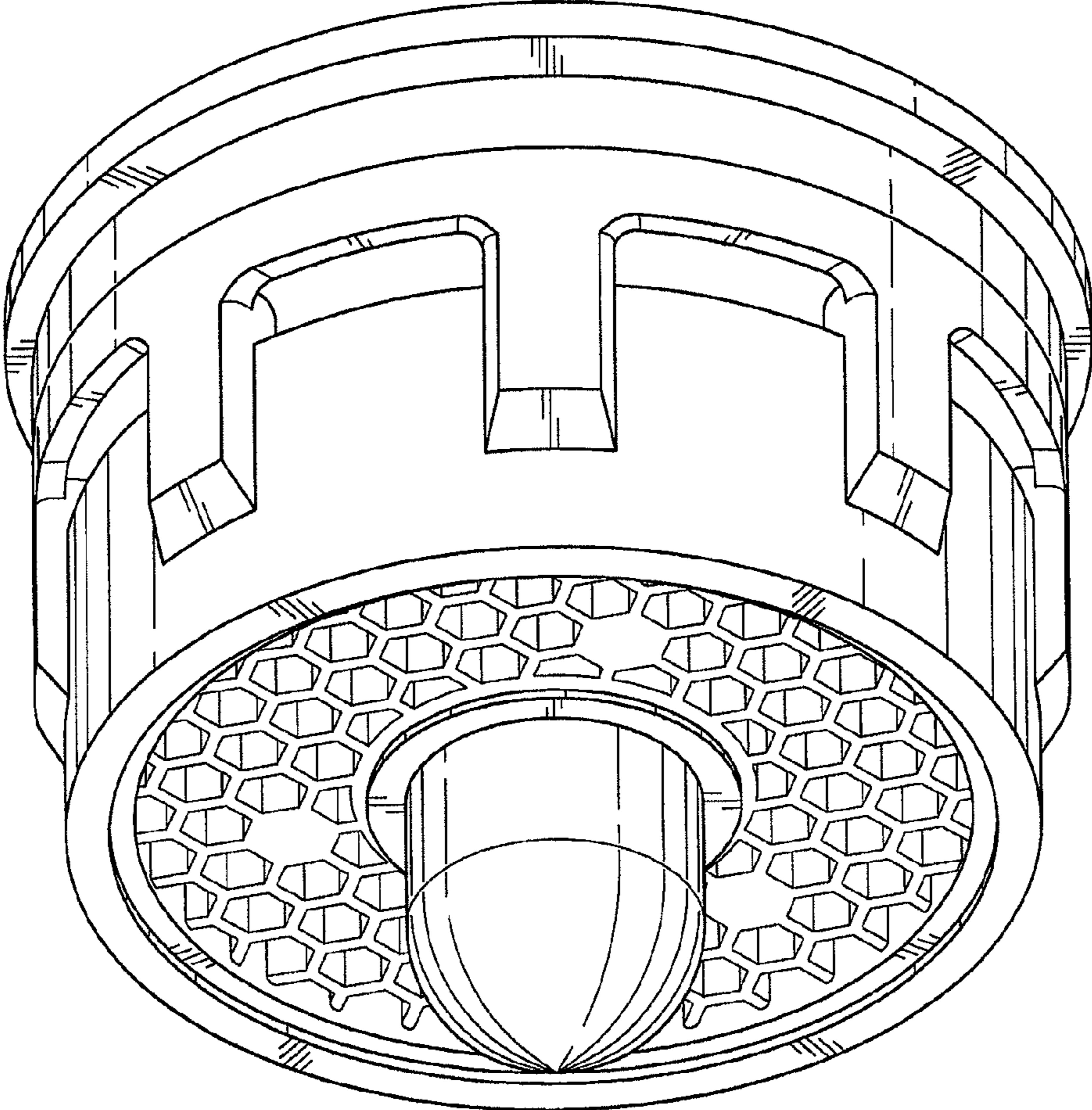


Fig. 4

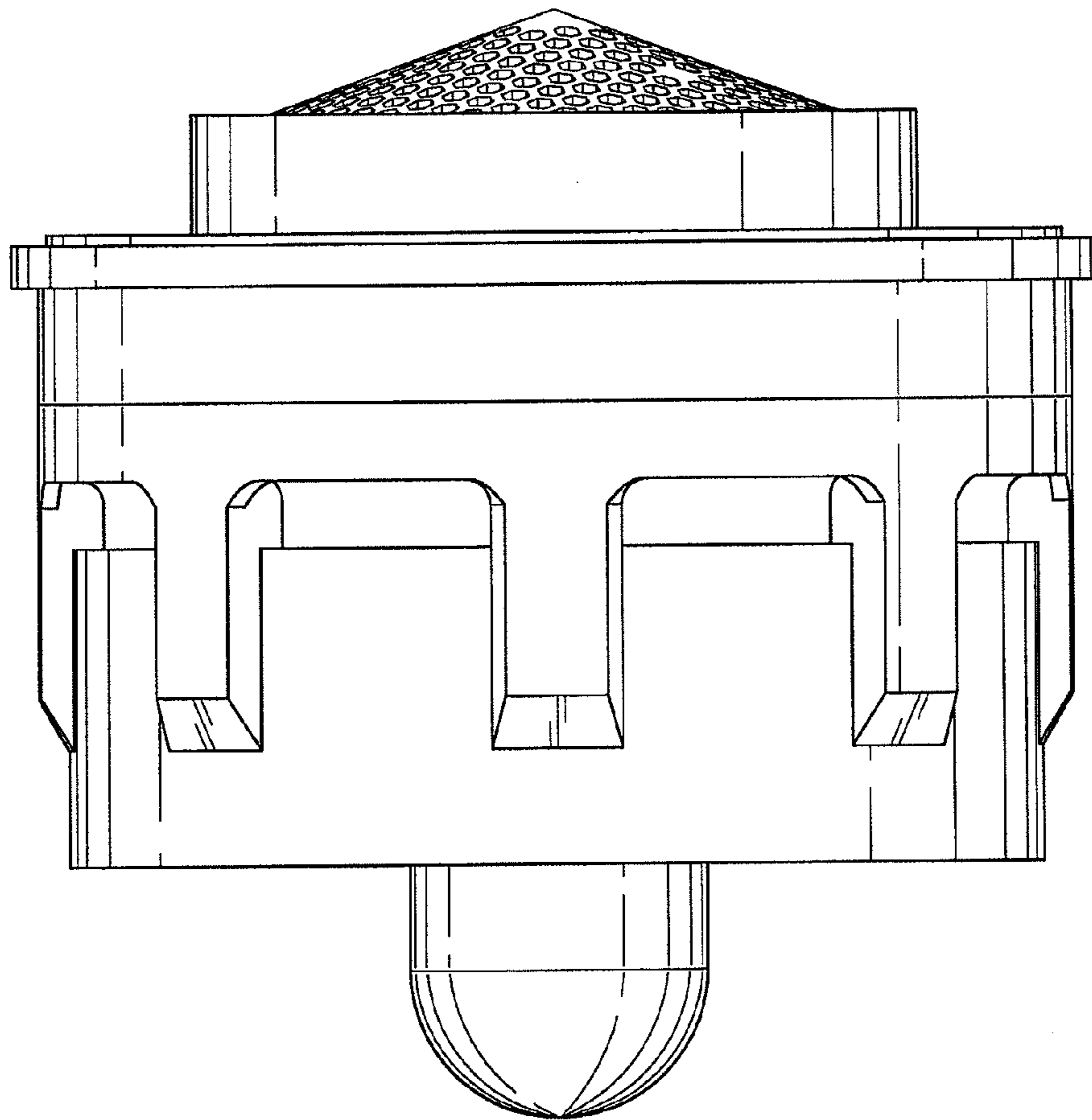


Fig. 5

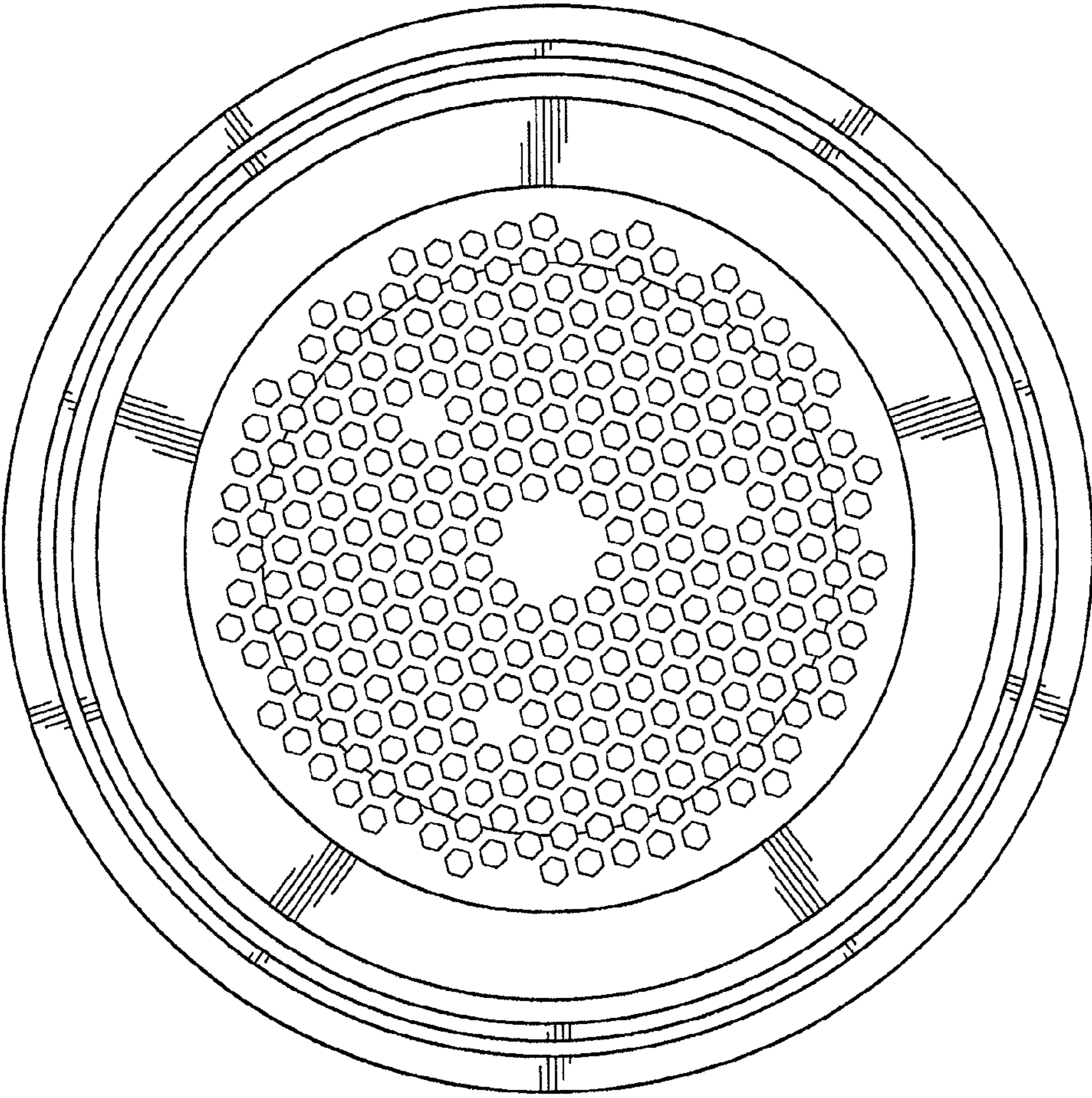


Fig. 6



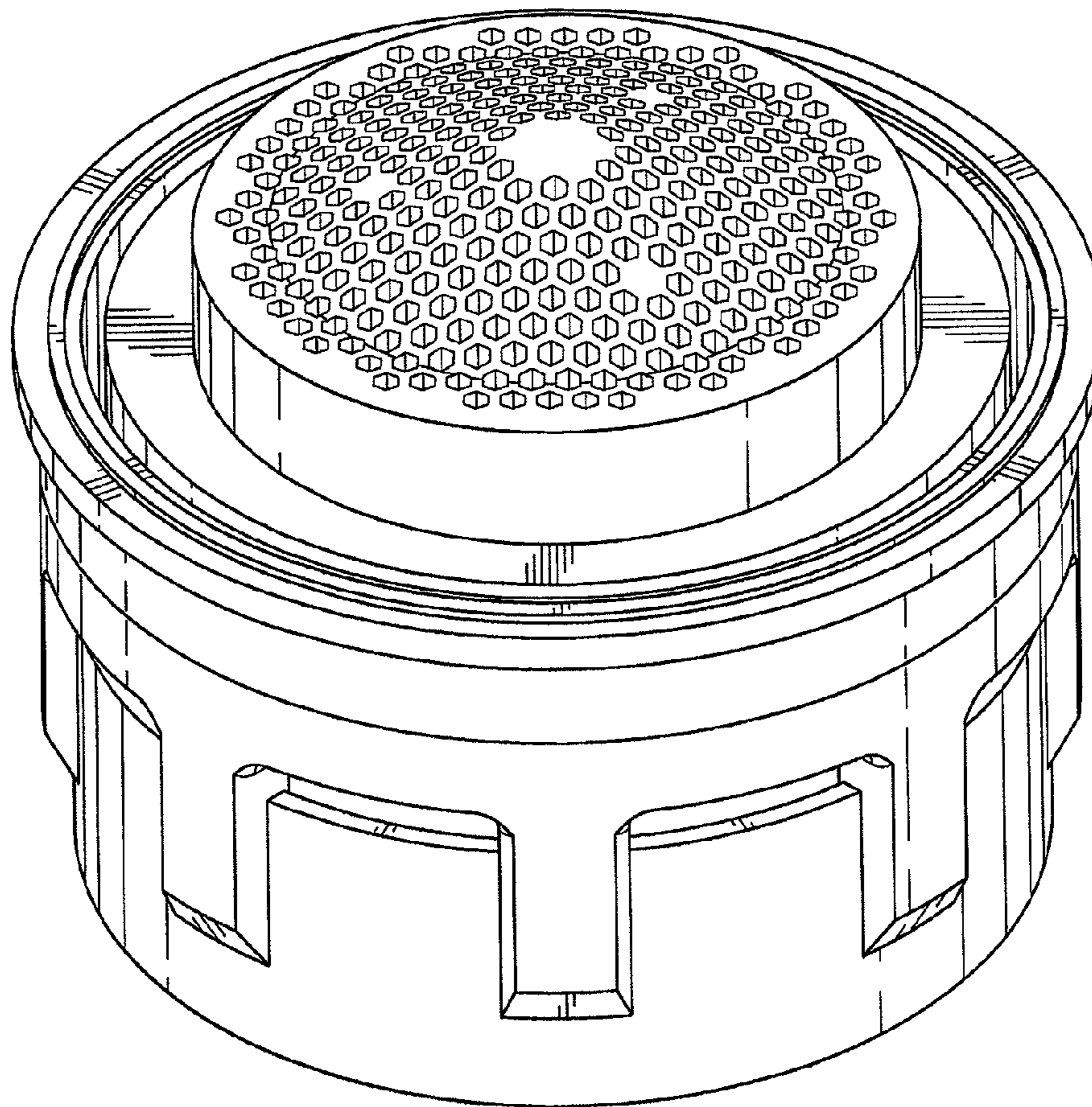


Fig. 7



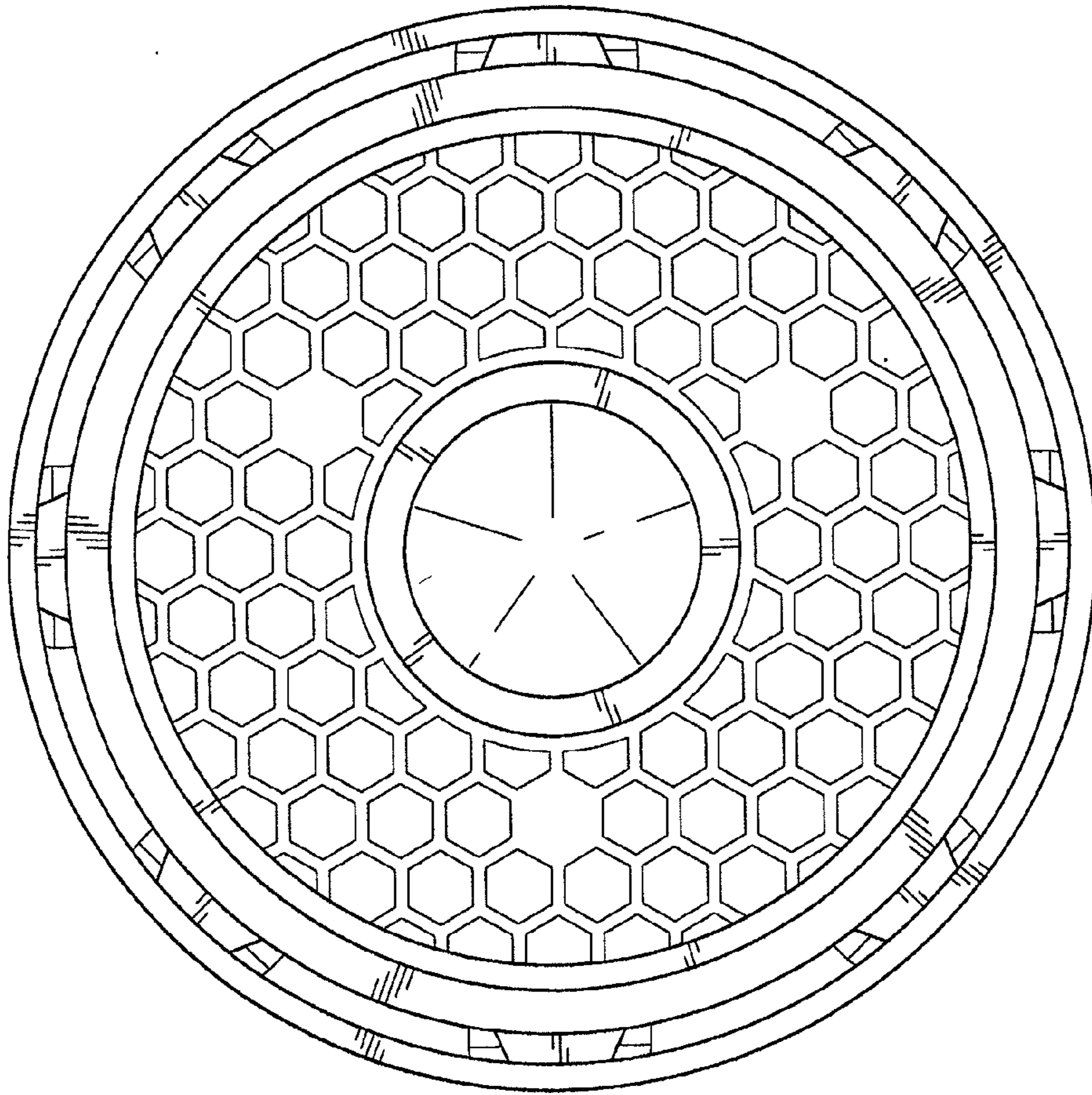


Fig. 8

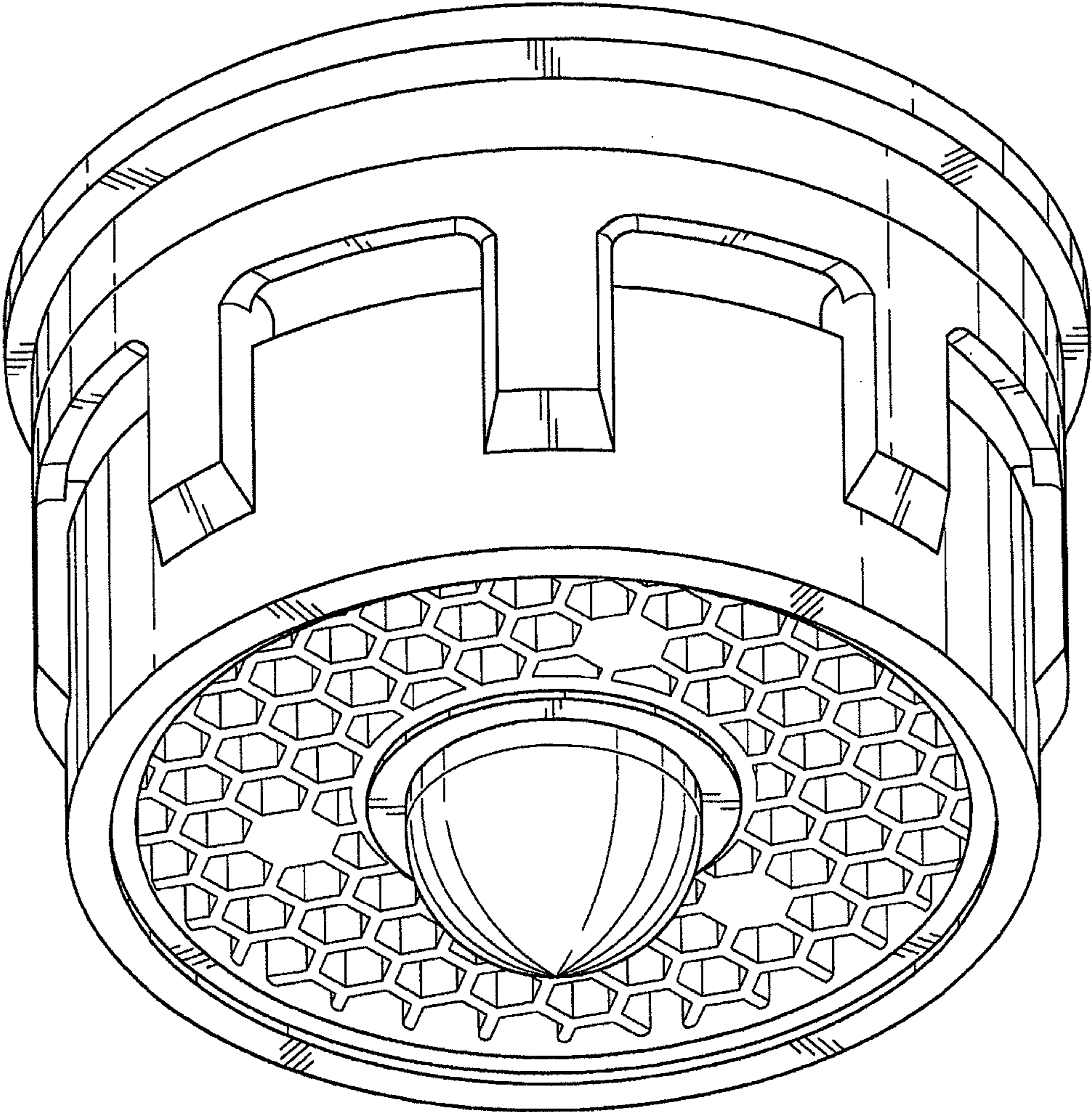


Fig. 9

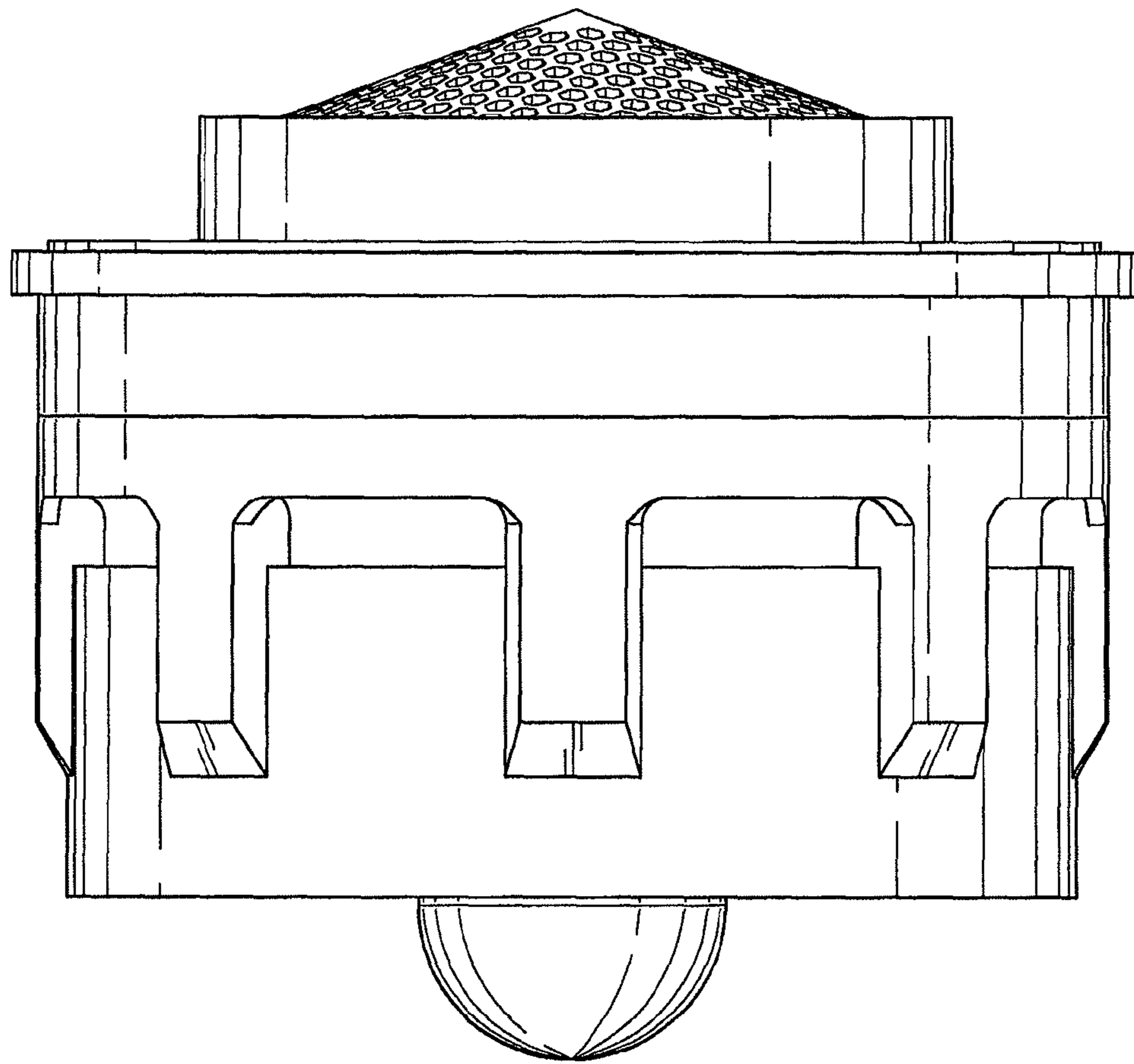


Fig. 10