



US00D684240S

(12) **United States Design Patent**
Stein

(10) **Patent No.:** **US D684,240 S**
(45) **Date of Patent:** **** Jun. 11, 2013**

(54) **FLOW REGULATOR**

(75) Inventor: **Alexander Stein**, Ihringen (DE)

(73) Assignee: **Neoperl GmbH**, Mullheim (DE)

(**) Term: **14 Years**

(21) Appl. No.: **29/388,297**

(22) Filed: **Mar. 28, 2011**

Related U.S. Application Data

(60) Continuation-in-part of application No. 29/365,360, filed on Jul. 8, 2010, now Pat. No. Des. 635,222, which is a division of application No. 29/354,983, filed on Feb. 1, 2010, now Pat. No. Des. 625,394.

Foreign Application Priority Data

Nov. 10, 2009 (EM) 1177364

(51) **LOC (9) Cl.** **23-01**

(52) **U.S. Cl.**

USPC **D23/213**

(58) **Field of Classification Search**

USPC . D23/213, 249; 239/428.5, 437; 261/DIG. 22

See application file for complete search history.

(56) **References Cited**

U.S. PATENT DOCUMENTS

D536,417 S *	2/2007	Buttgen	D23/213
D537,916 S *	3/2007	Buttgen	D23/213
D577,416 S *	9/2008	Buttgen	D23/213
D604,806 S	11/2009	Blum		
D605,732 S	12/2009	Stein		
D609,783 S	2/2010	Blum		
D609,784 S	2/2010	Grether		
D612,911 S	3/2010	Grether		
D614,735 S	4/2010	Grether		

* cited by examiner

Primary Examiner — Robin V Webster

(74) *Attorney, Agent, or Firm* — Volpe and Koenig, P.C.

CLAIM

(57) The design for a flow regulator, as shown and described.

DESCRIPTION

FIG. 1 is a top, front perspective view of a flow regulator in accordance with my design;

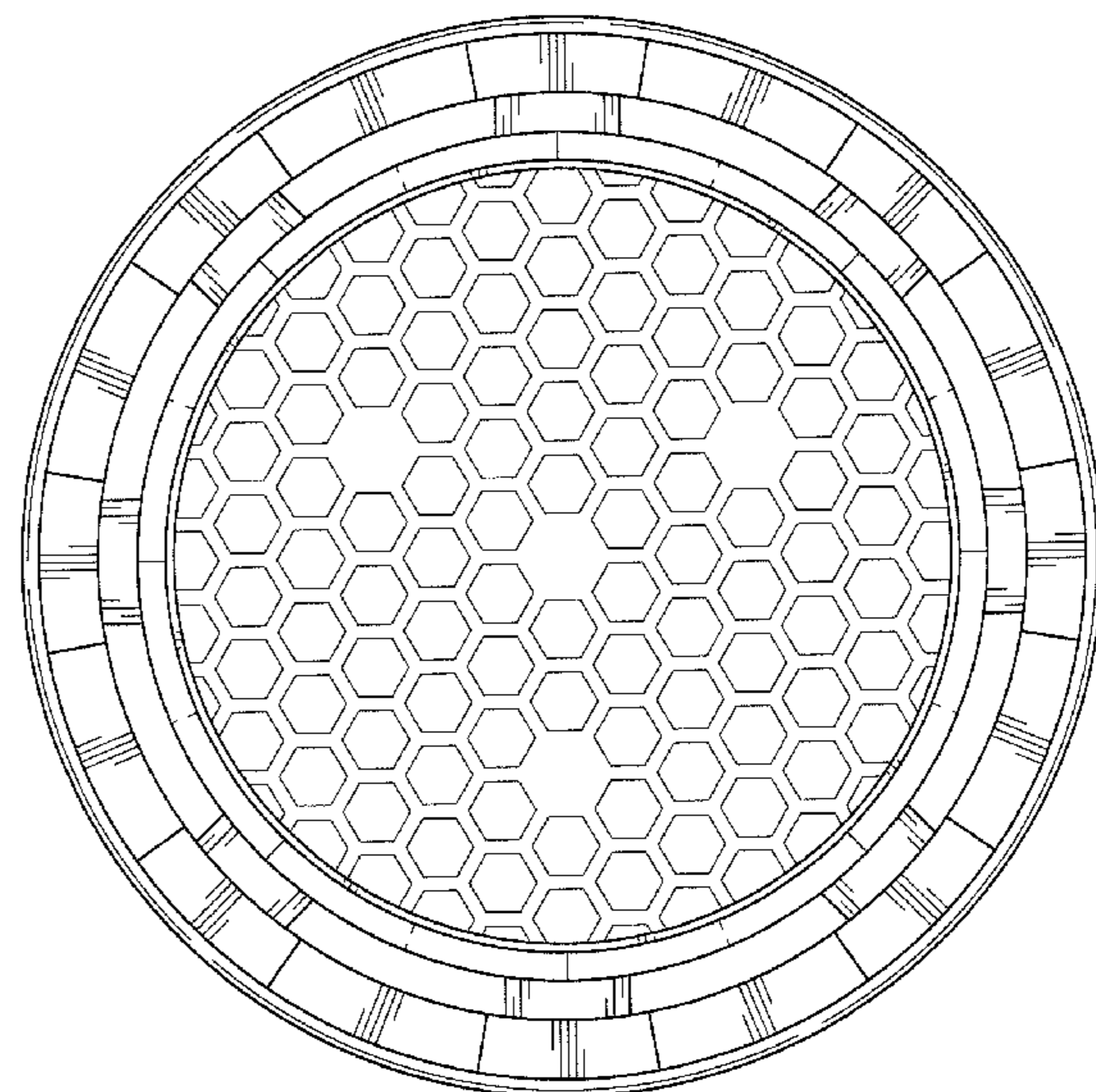
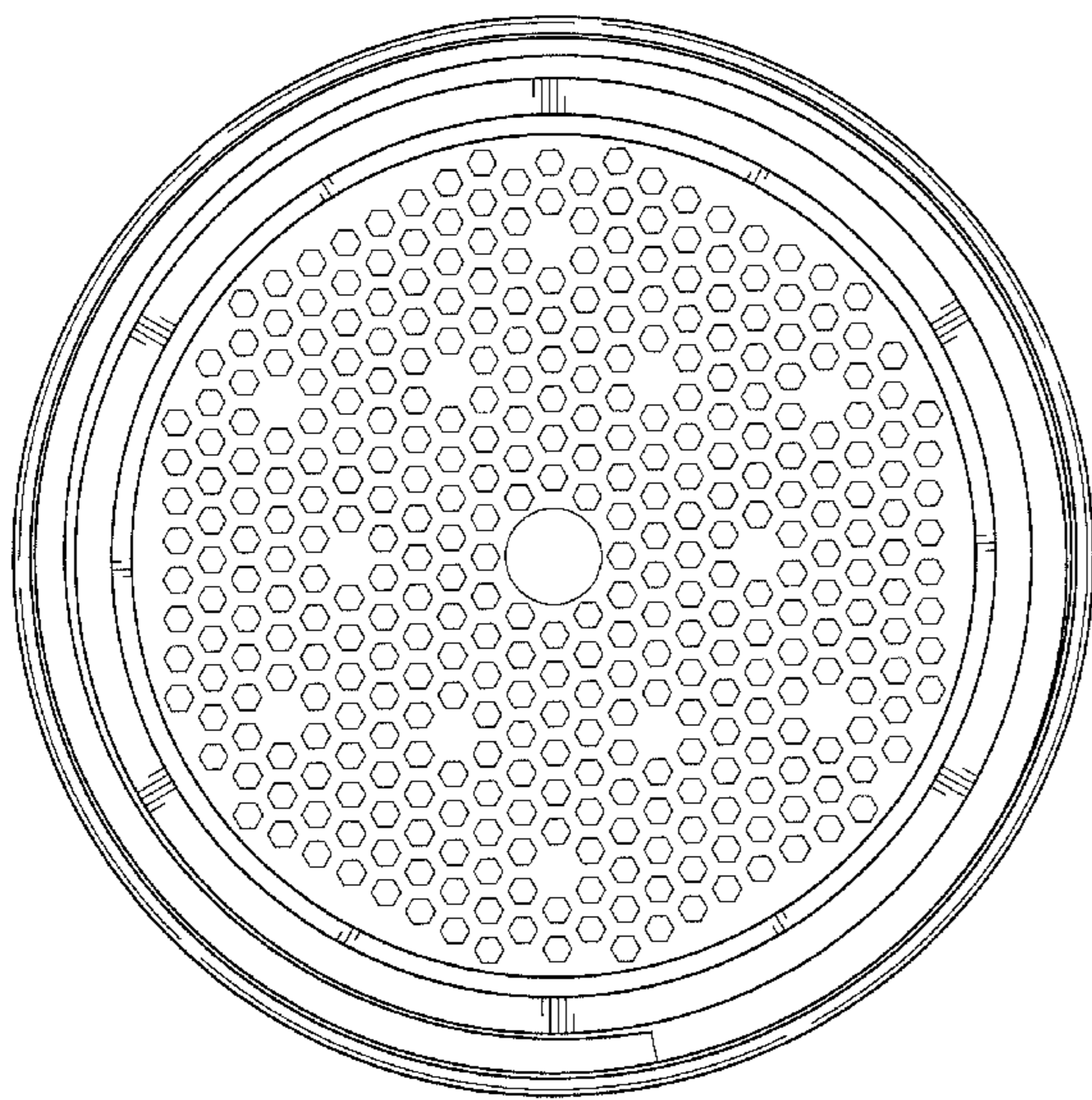
FIG. 2 is a top plan view thereof;

FIG. 3 is a bottom, rear perspective view thereof;

FIG. 4 is a bottom view thereof; and,

FIG. 5 is a side elevational view thereof.

1 Claim, 5 Drawing Sheets



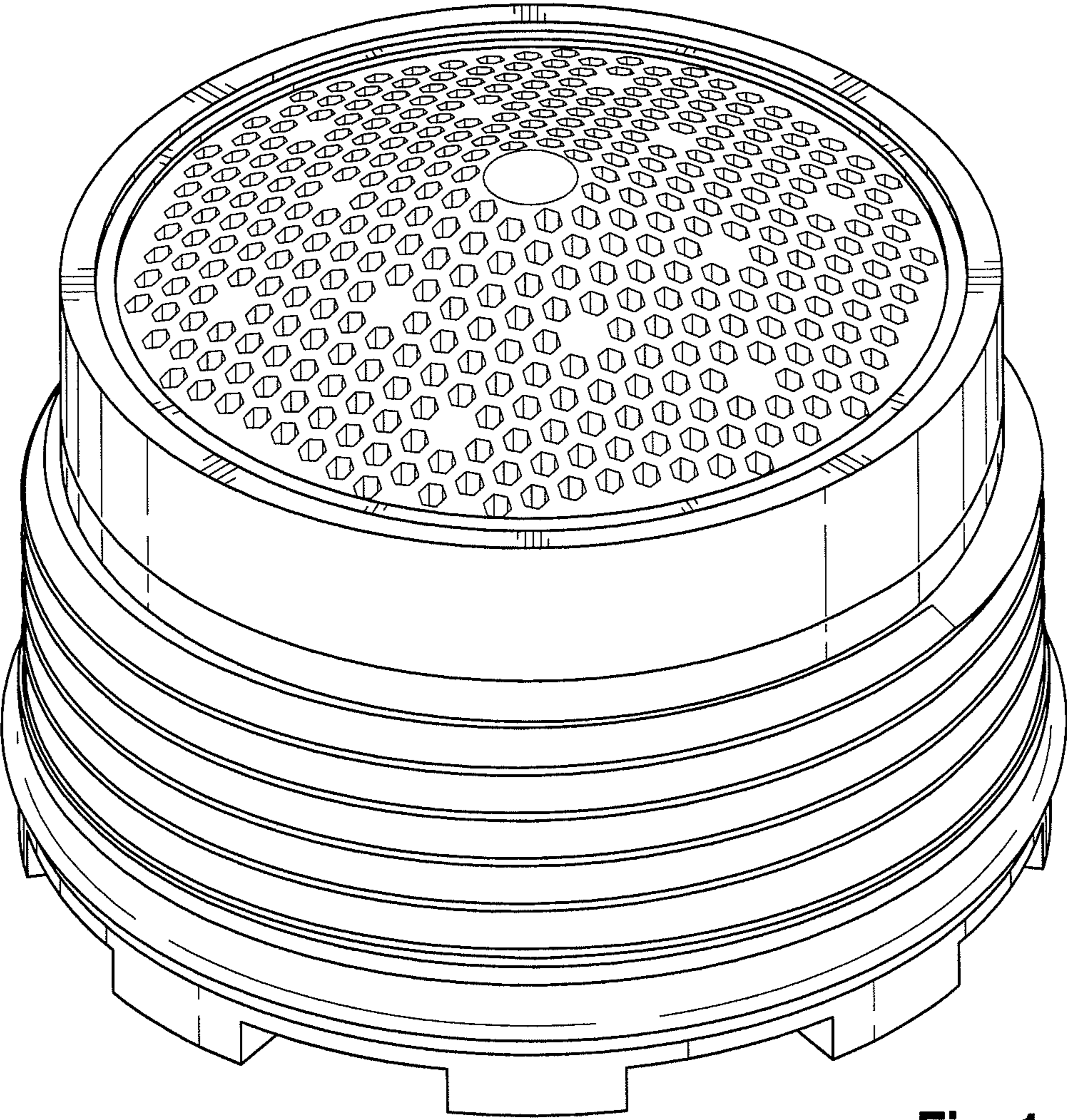


Fig. 1

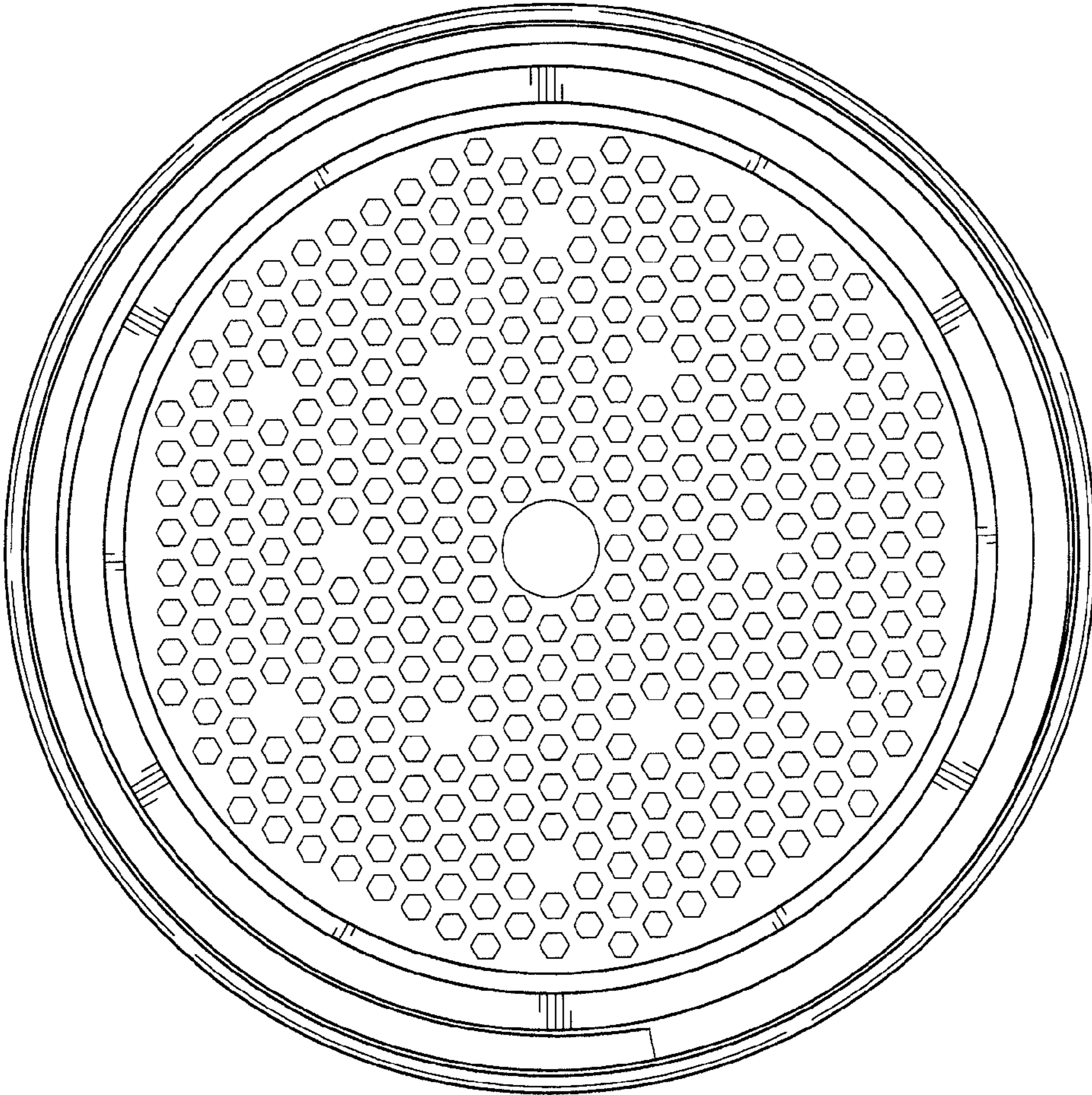


Fig. 2

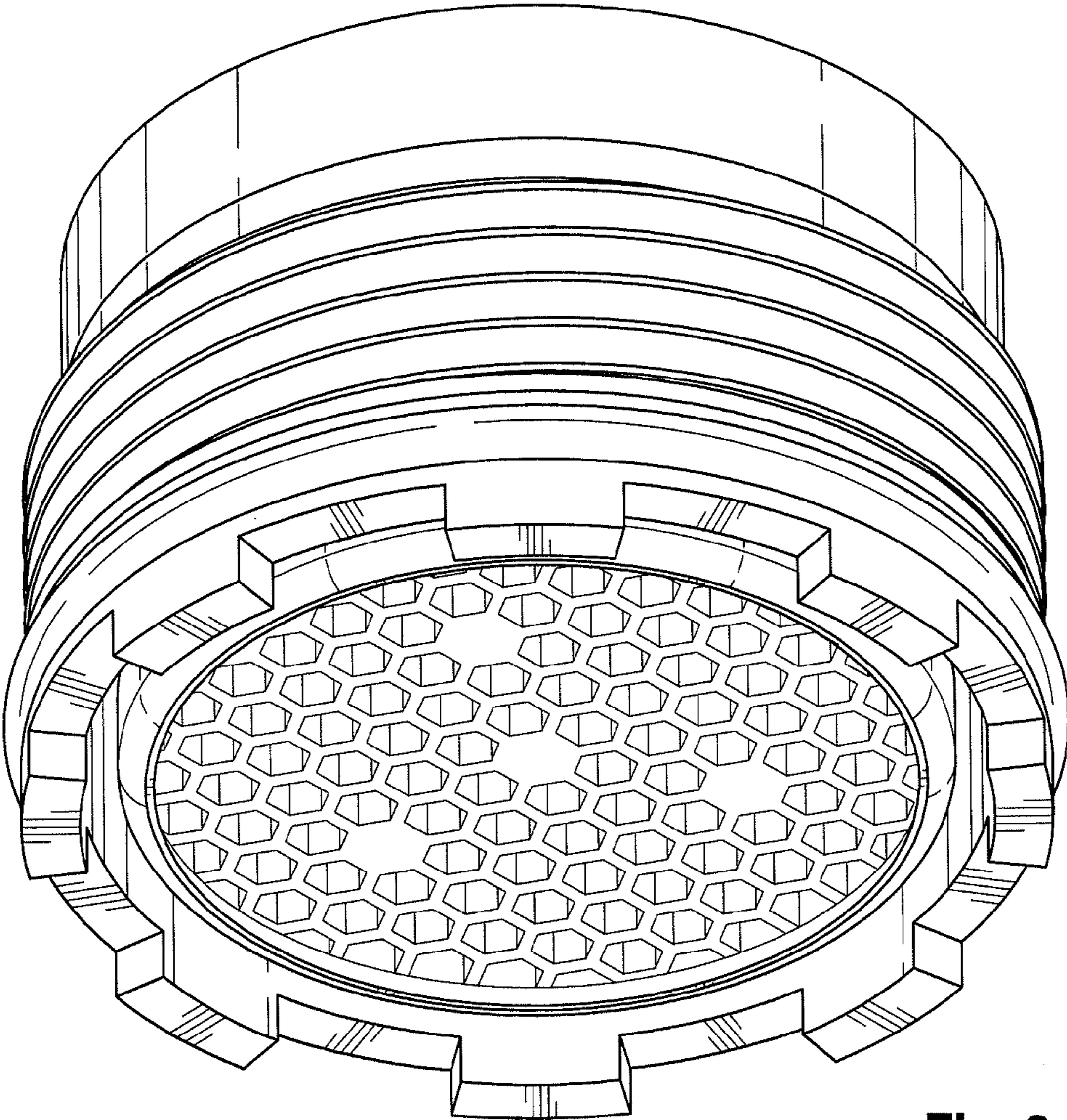


Fig. 3

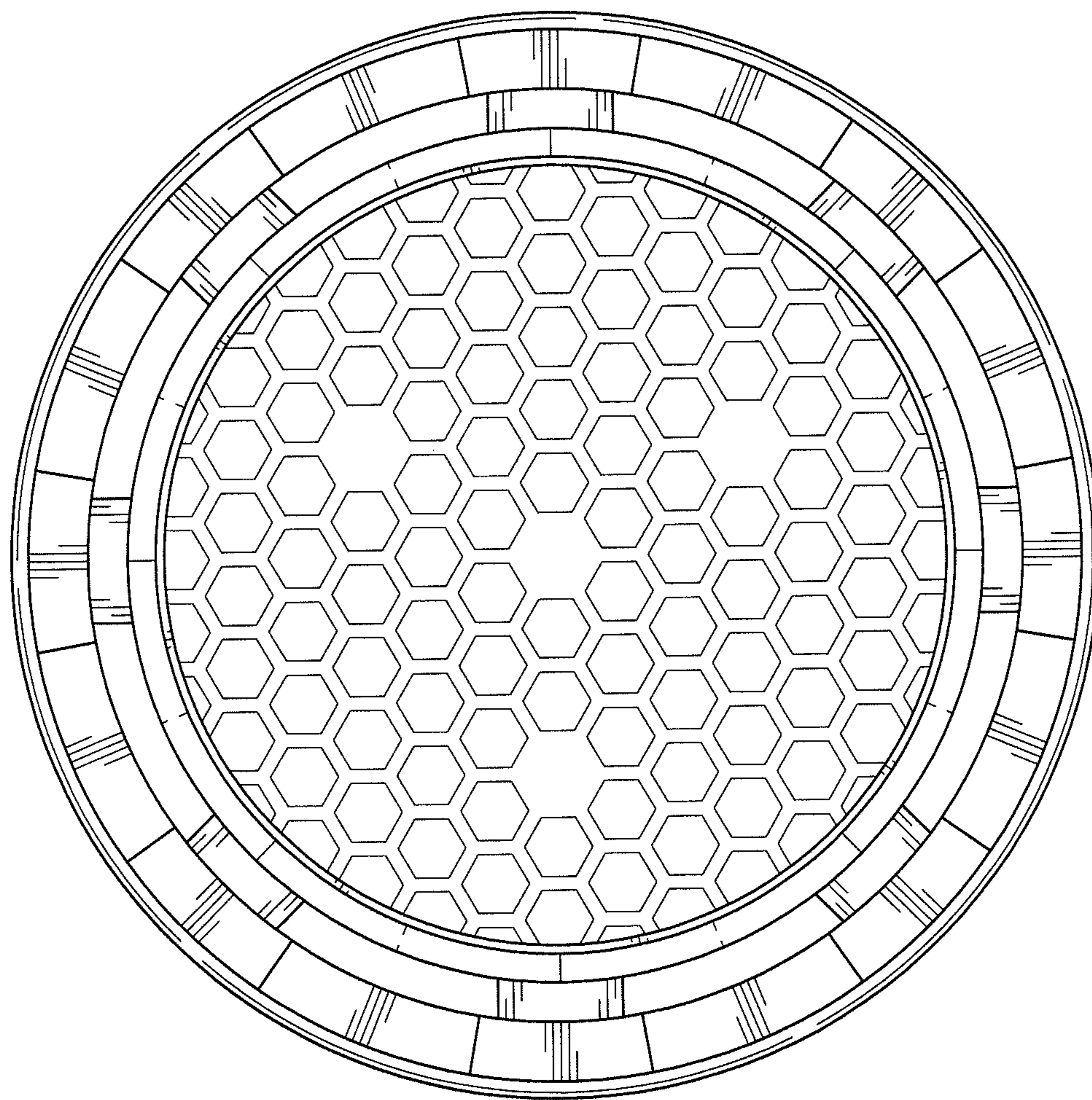


Fig. 4

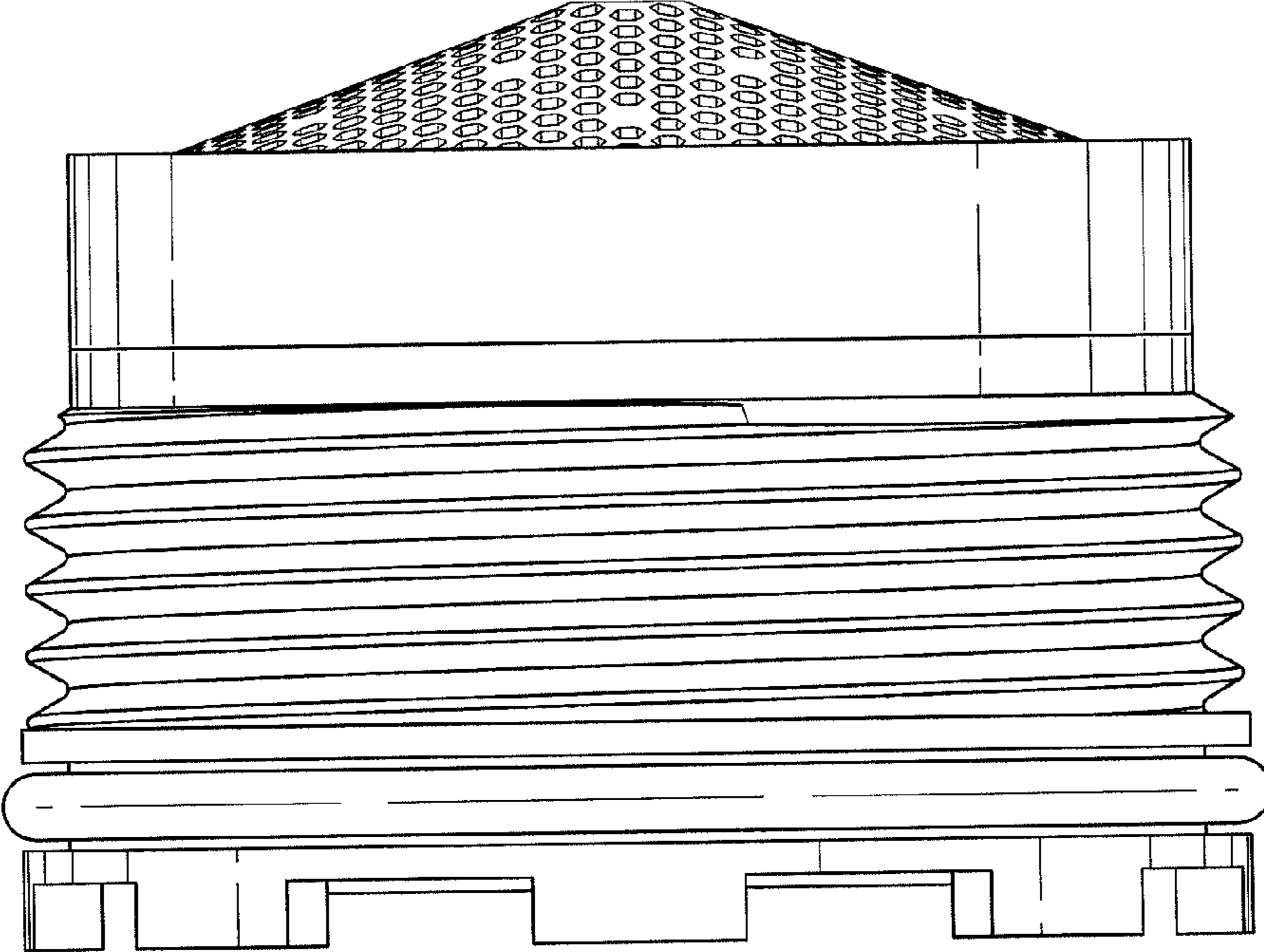


Fig. 5