



US00D684238S

(12) **United States Design Patent**
McCune

(10) **Patent No.:** **US D684,238 S**
(45) **Date of Patent:** **** Jun. 11, 2013**

- (54) **BAITCAST FISHING REEL**
- (71) Applicant: **W.C. Bradley/ZEBCO Holdings, Inc.**,
Tulsa, OK (US)
- (72) Inventor: **Clark Patrick McCune**, Jenks, OK
(US)
- (73) Assignee: **W.C. Bradley/Zebco Holdings, Inc.**,
Tulsa, OK (US)

- 6,550,709 B2 4/2003 Vashro
- 7,077,350 B2 7/2006 Koelewyn
- D558,299 S 12/2007 Lepage et al.
- 7,306,179 B2 12/2007 Venes
- 7,350,730 B2 4/2008 Hyun
- D579,075 S * 10/2008 Sekimoto et al. D22/140
- D654,553 S 2/2012 McCune et al.
- D654,554 S 2/2012 McCune et al.
- D674,868 S * 1/2013 Deguchi et al. D22/140
- D674,869 S * 1/2013 Deguchi D22/140

(Continued)

(**) Term: **14 Years**

(21) Appl. No.: **29/434,734**

(22) Filed: **Oct. 16, 2012**

(51) **LOC (9) Cl.** **22-05**

(52) **U.S. Cl.**
USPC **D22/140**

(58) **Field of Classification Search**
USPC D22/137-141; 242/234-240, 223-224,
242/314, 323, 370

See application file for complete search history.

(56) **References Cited**

U.S. PATENT DOCUMENTS

- 2,457,323 A 12/1948 Sharps
- D247,442 S 3/1978 Hiraishi et al.
- 5,127,603 A 7/1992 Morimoto
- 5,407,144 A 4/1995 Ryall
- 5,755,391 A 5/1998 Sacconi
- 5,839,682 A 11/1998 Kim
- 6,032,894 A 3/2000 Chapman et al.
- D432,202 S 10/2000 Kim et al.
- 6,138,935 A 10/2000 Zwayer et al.
- D450,105 S * 11/2001 Asano et al. D22/140
- 6,321,816 B1 11/2001 Koreska
- 6,382,545 B1 5/2002 Yeh
- 6,460,793 B1 10/2002 Hirayama et al.

OTHER PUBLICATIONS

Okuma Fishing, "Spinning Reel: Crossover Construction", "www.international.okumafishing.com/technology.html", 2009.

Primary Examiner — Catheri Oliver-Garcia

(74) *Attorney, Agent, or Firm* — Fellers, Snider, Blankenship, Bailey & Tippens, P.C.

(57) **CLAIM**

The ornamental design for a baitcast fishing reel, as shown and described.

DESCRIPTION

FIG. 1 is front and left side perspective view of the baitcast fishing reel of the invention;

FIG. 2 is a front elevational view of the reel of FIG. 1.

FIG. 3 is a rear elevational view of the reel of FIG. 1.

FIG. 4 is a left side elevational view of the reel of FIG. 1;

FIG. 5 is a right side elevational view of the reel of FIG. 1;

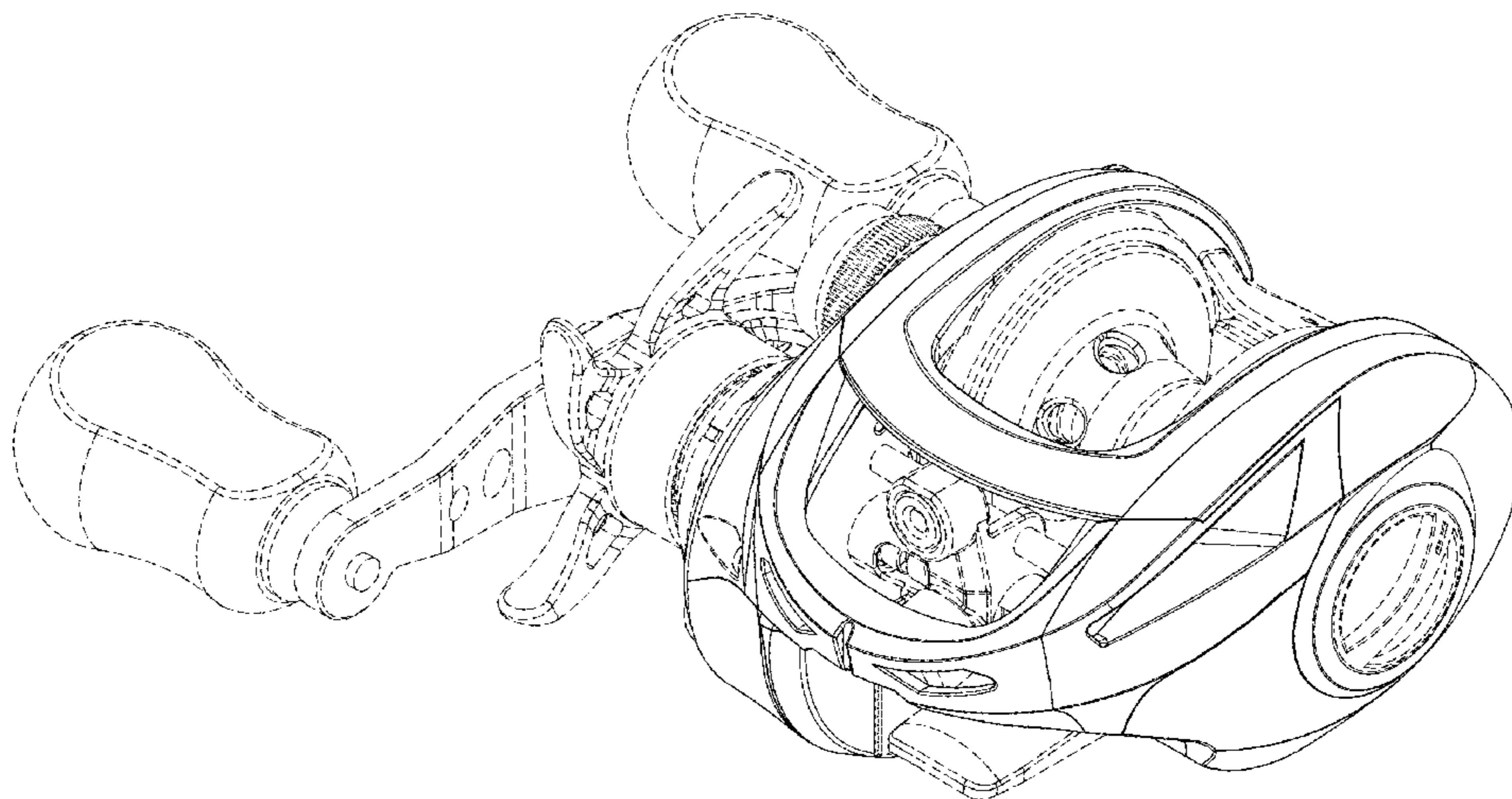
FIG. 6 is a top plan view of the reel of FIG. 1.

FIG. 7 is a bottom plan view of the reel of FIG. 1; and,

FIG. 8 is a rear and left side perspective view of the reel of FIG. 1.

The dashed lines in the figures are for illustrative purposes and form no part of the claimed invention.

1 Claim, 8 Drawing Sheets



US D684,238 S

Page 2

U.S. PATENT DOCUMENTS

2003/0075632 A1 4/2003 Myojo
2011/0057063 A1 3/2011 Kawaski

2011/0240785 A1 10/2011 Martin et al.

* cited by examiner

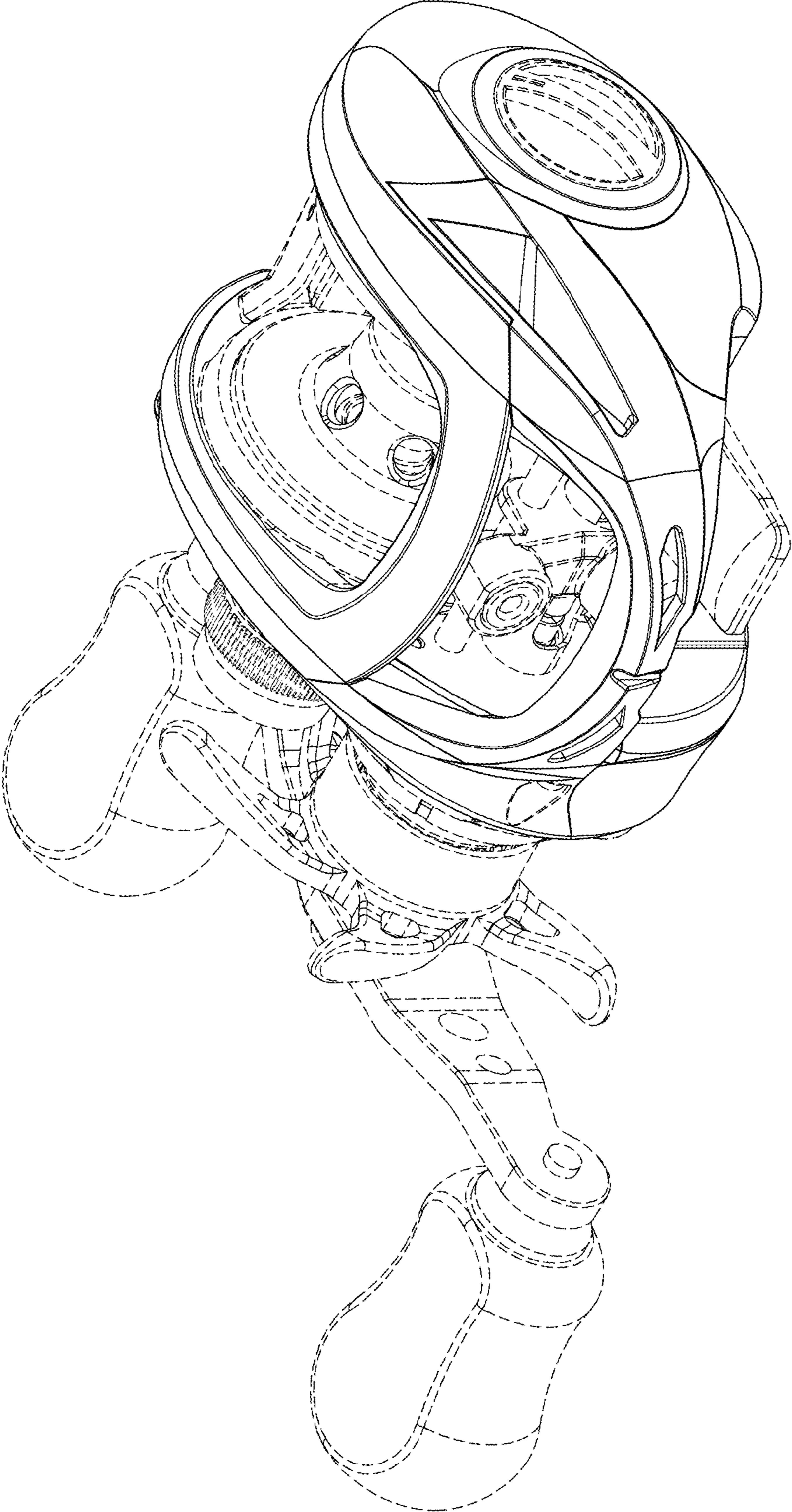
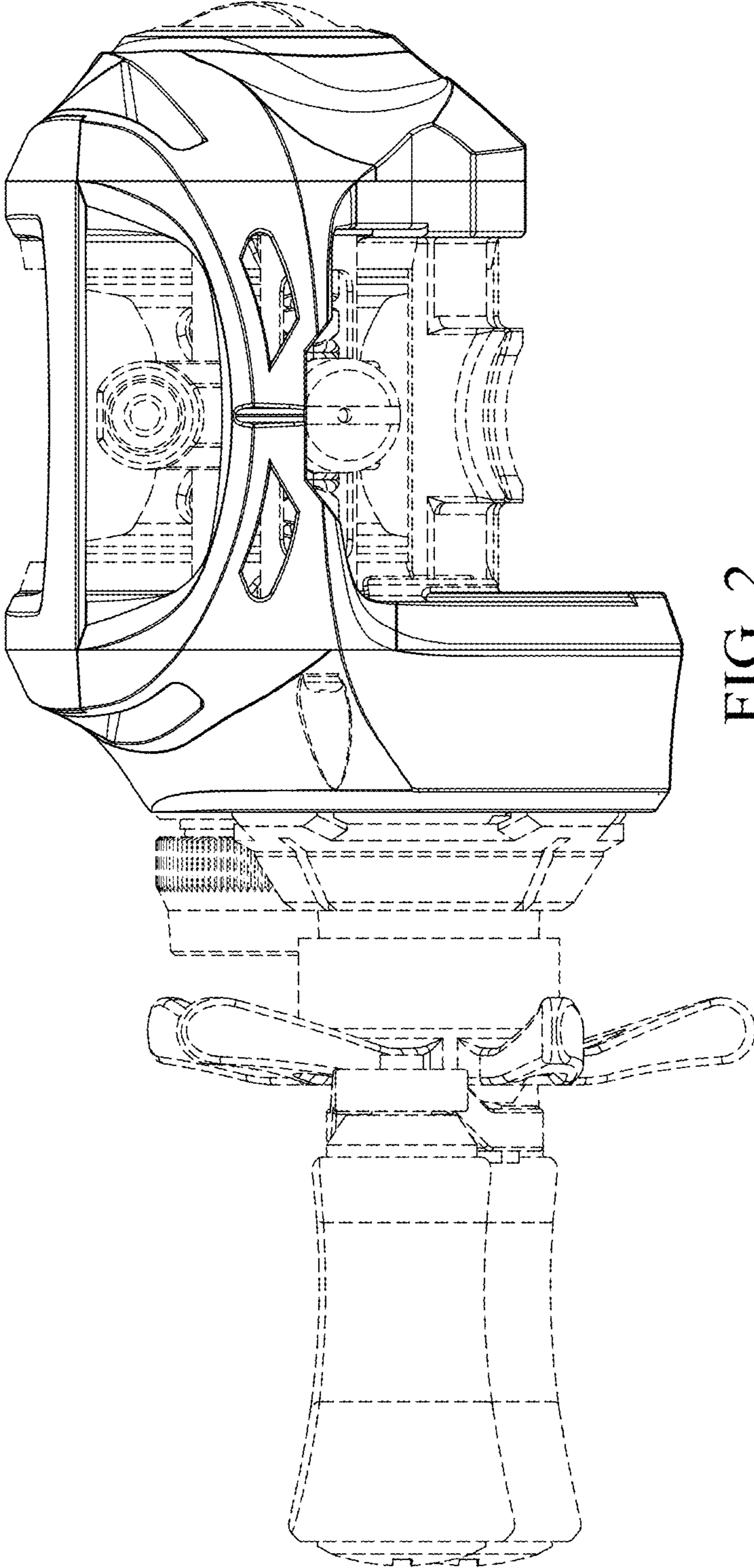


FIG. 1



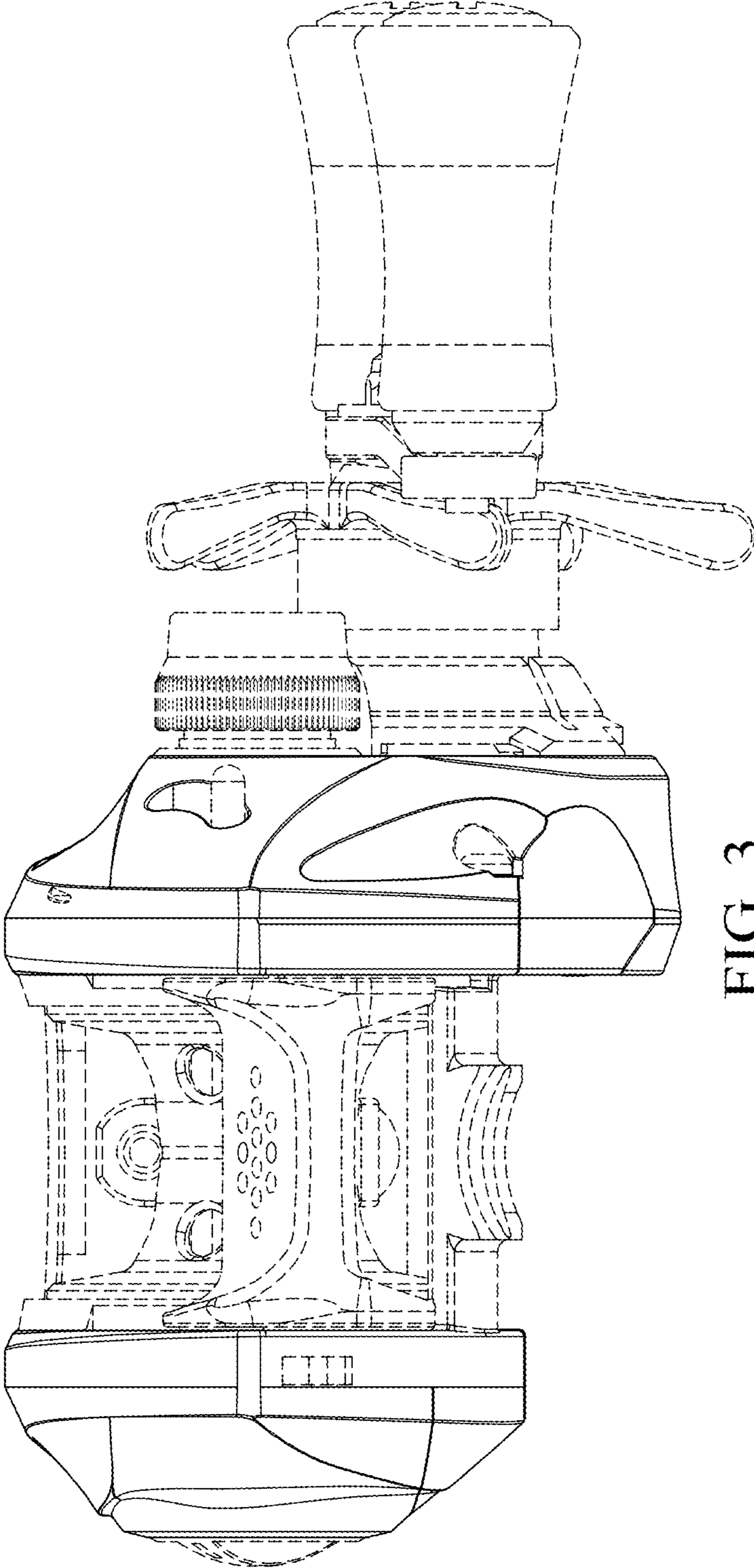


FIG. 3

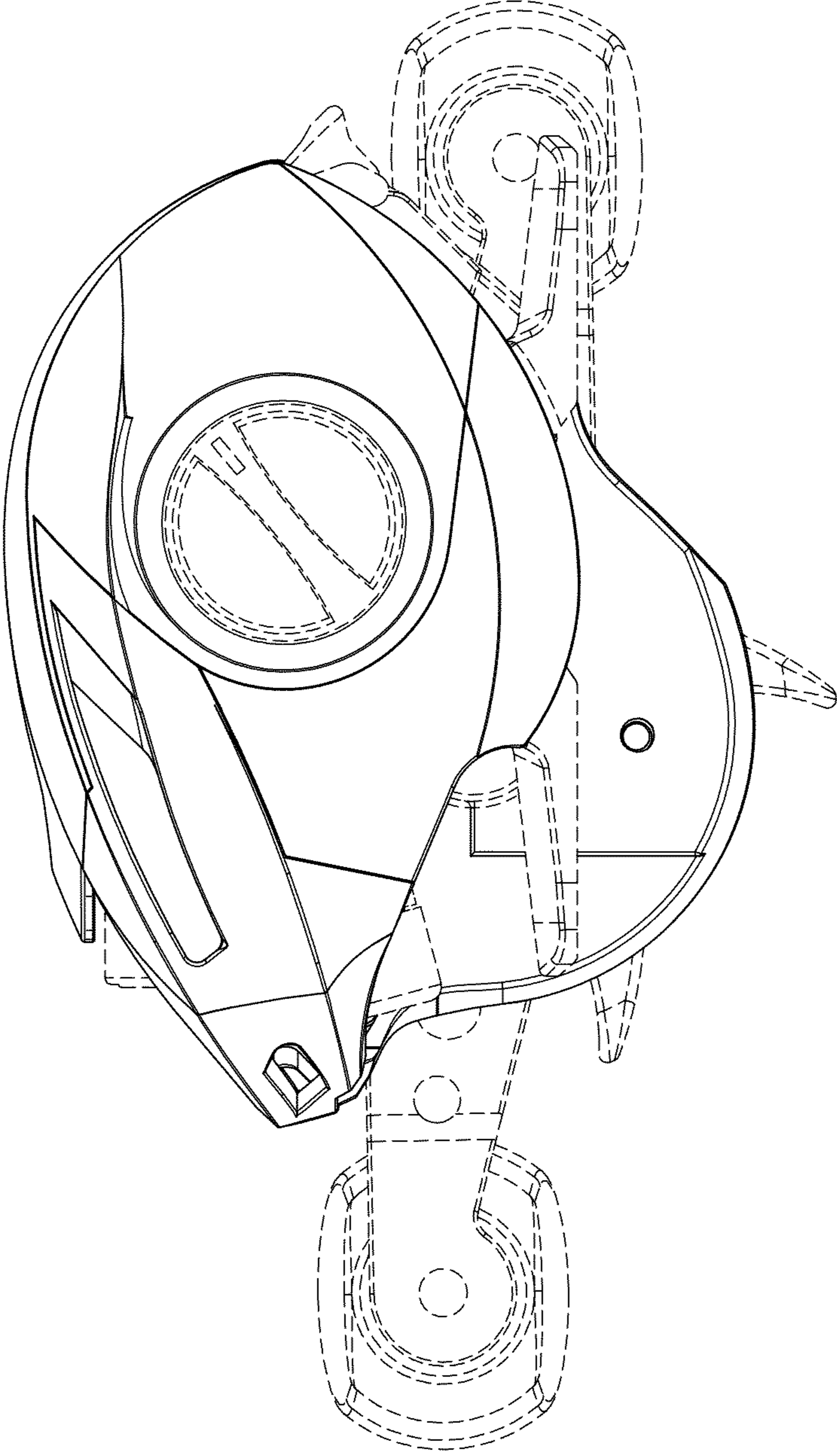


FIG. 4

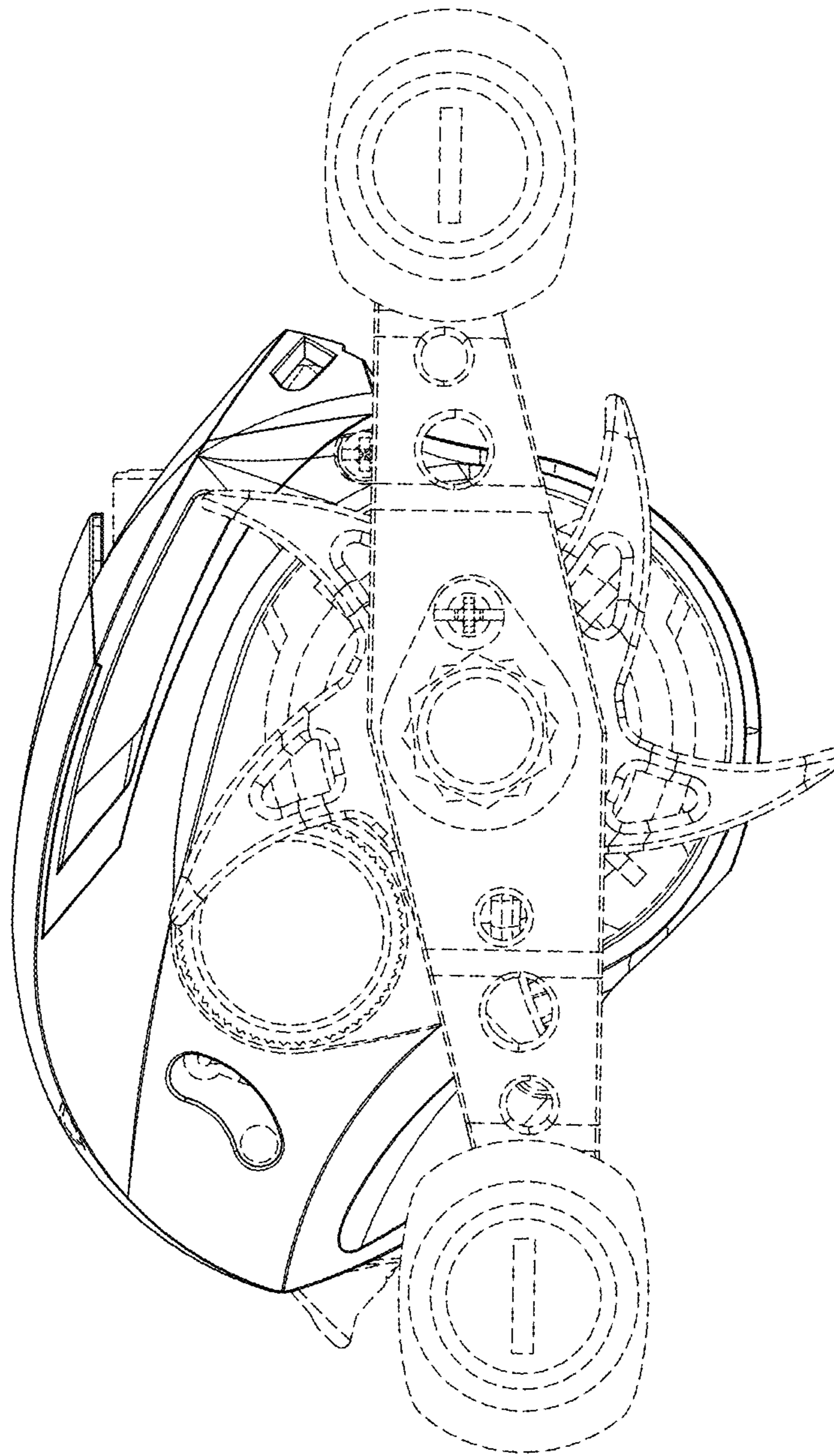


FIG. 5

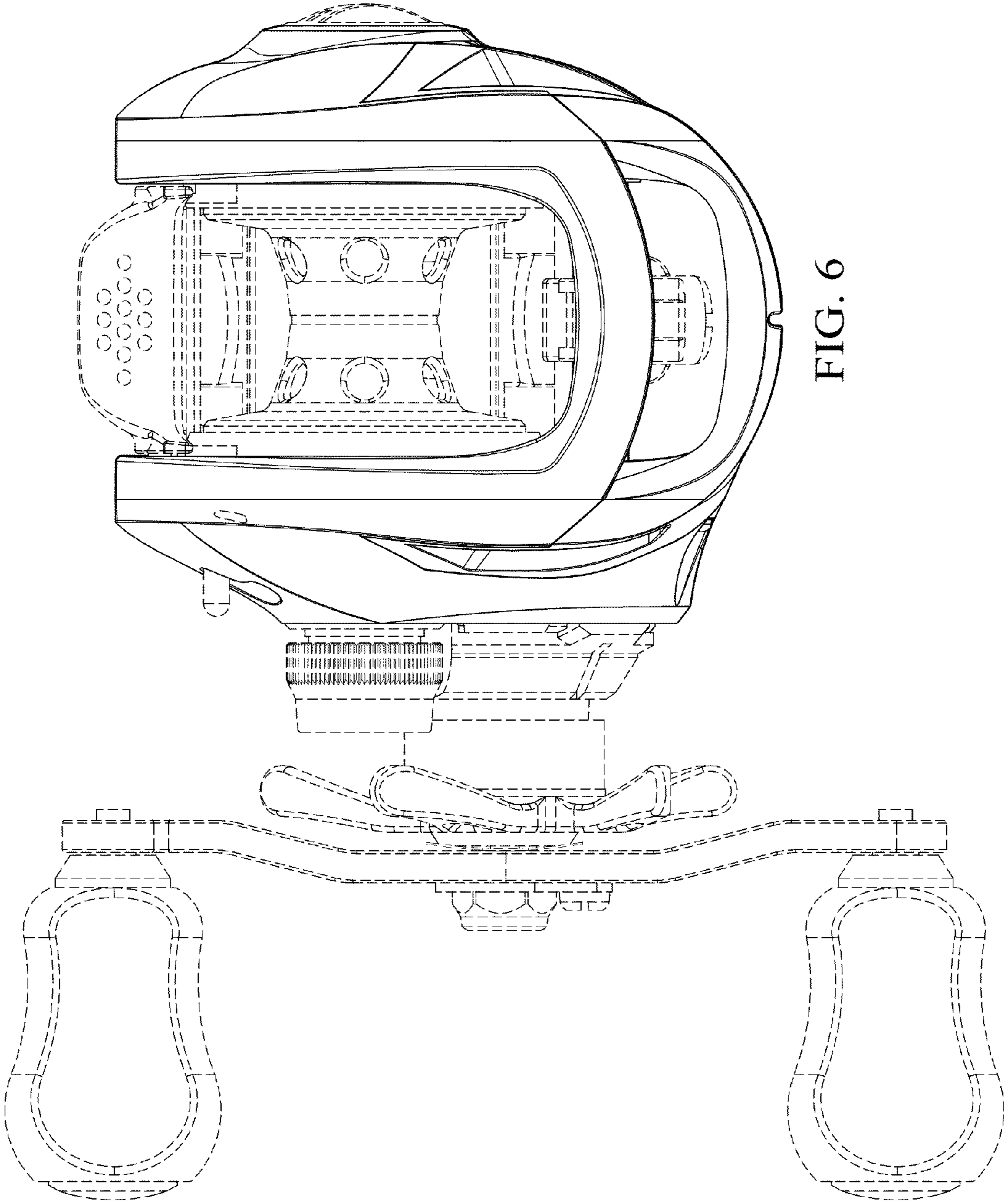
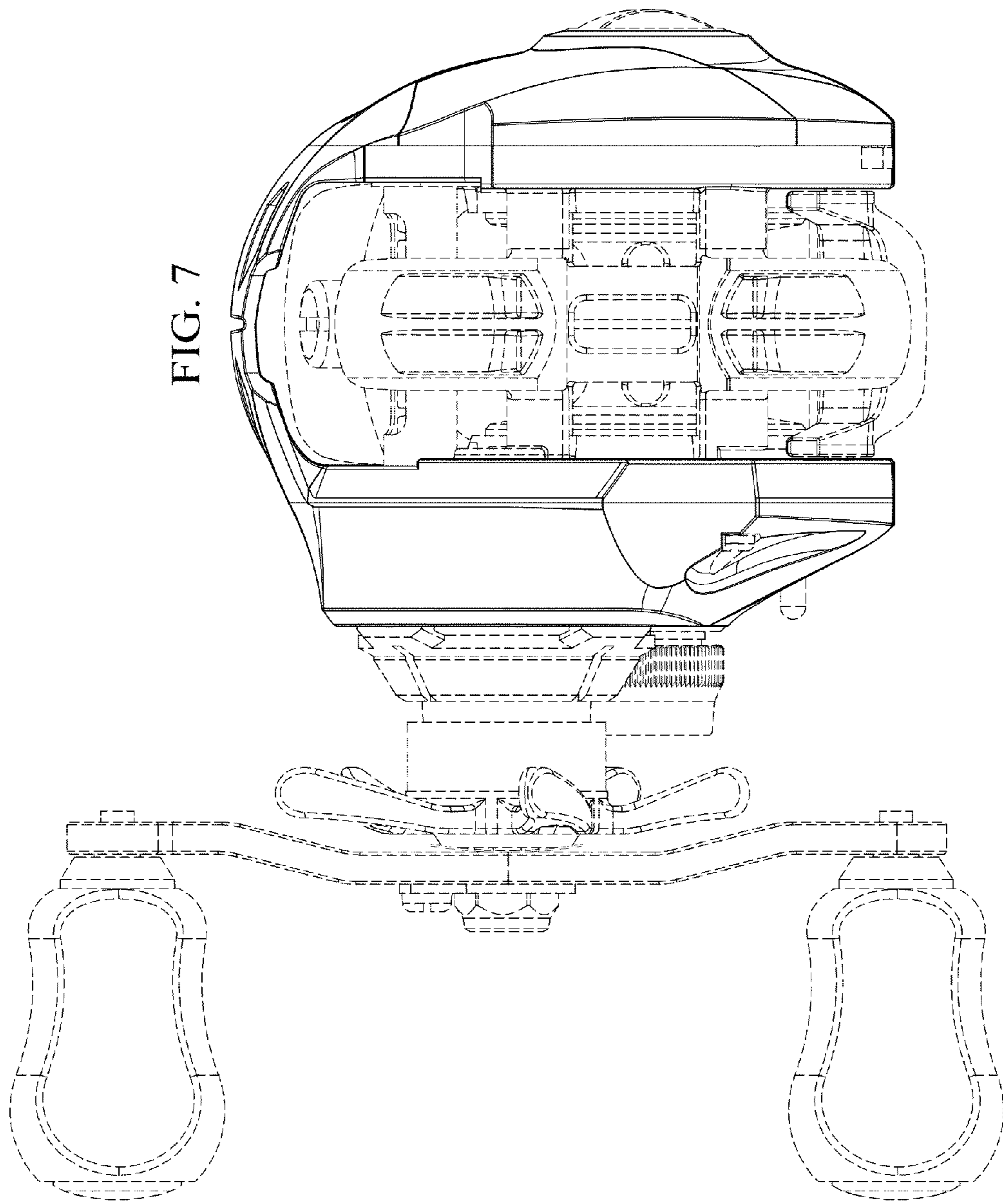


FIG. 6



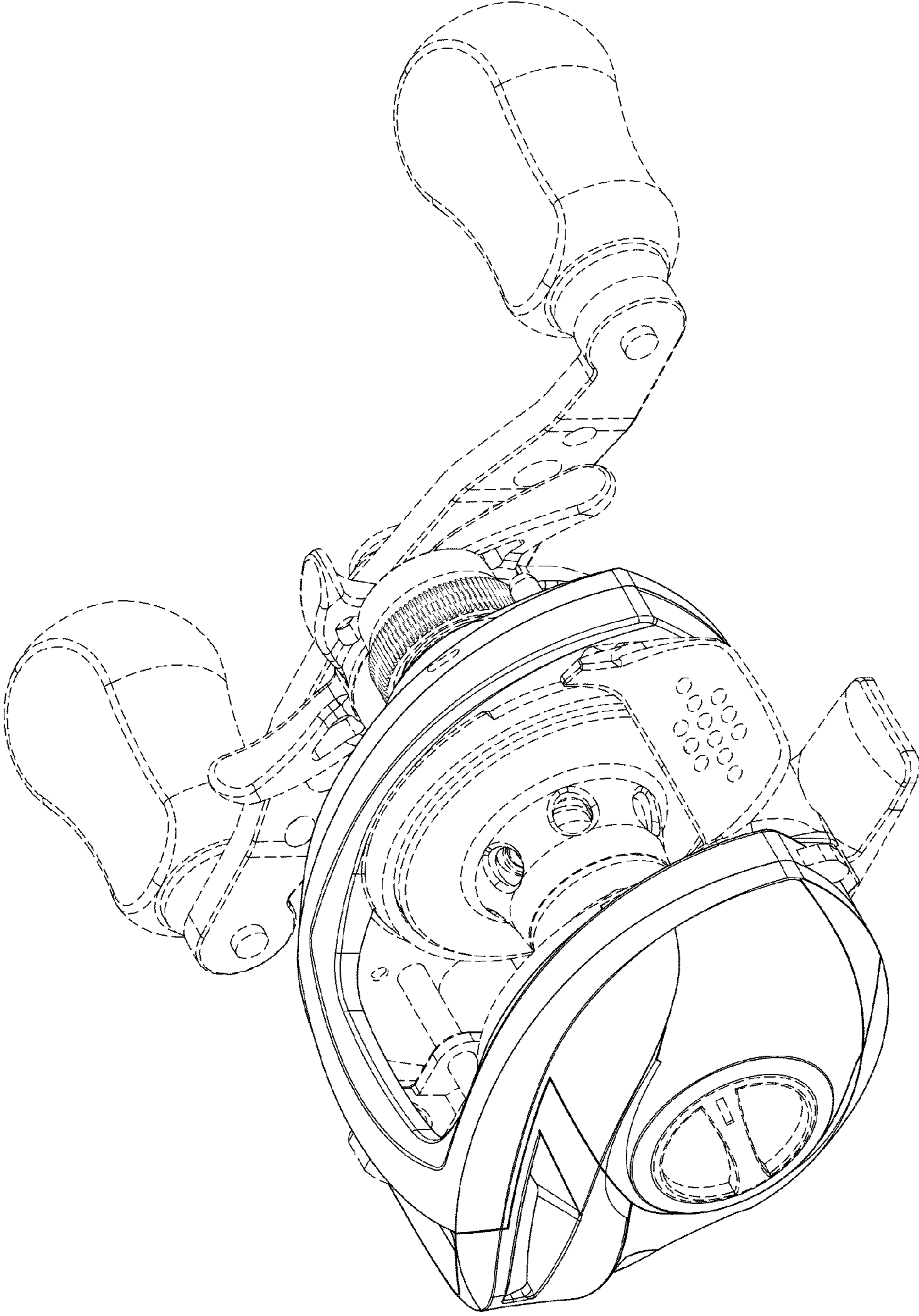


FIG. 8