



US00D684235S

(12) **United States Design Patent**  
**Riddell**

(10) **Patent No.:** **US D684,235 S**  
(45) **Date of Patent:** **\*\* Jun. 11, 2013**

- (54) **ELECTRIC DETERRENT DEVICE**
- (71) Applicant: **Bird Barrier America, Inc.**, Carson, CA (US)
- (72) Inventor: **Cameron A. Riddell**, Carson, CA (US)
- (73) Assignee: **Bird Barrier America, Inc.**, Carson, CA (US)
- (\*\*) Term: **14 Years**
- (21) Appl. No.: **29/439,696**
- (22) Filed: **Dec. 13, 2012**

- 3,717,802 A 2/1973 Plevy et al.
- 4,015,176 A 3/1977 Shanahan et al.
- 4,111,400 A 9/1978 Enoksson
- 4,186,512 A 2/1980 Berg
- 4,274,123 A 6/1981 Rogers, Jr.
- 4,299,048 A 11/1981 Bayes
- 4,352,007 A 9/1982 Baker et al.

(Continued)

**FOREIGN PATENT DOCUMENTS**

- DE 3930012 A1 3/1991
- DE 4127774 A1 2/1993

(Continued)

**OTHER PUBLICATIONS**

Bird Barrier America, Inc., pp. 16-17 of its 1997 Catalog, published in the United States.

(Continued)

*Primary Examiner* — Doris Clark

(74) *Attorney, Agent, or Firm* — Dickstein Shapiro LLP

(57) **CLAIM**

The ornamental design for an electric deterrent device, substantially as shown and described.

**DESCRIPTION**

FIG. 1 is a front perspective view of an electric deterrent device showing my new design;  
 FIG. 2 is an end view thereof;  
 FIG. 3 is an end view thereof (the opposite end of FIG. 2);  
 FIG. 4 is a right side view thereof;  
 FIG. 5 is a left side view thereof; and,  
 FIG. 6 is a top view thereof.  
 The bottom view is unornamented and/or unclaimed, and is therefore not provided. The broken lines are for illustrative purposes only and form no part of the claimed design.

**1 Claim, 2 Drawing Sheets**

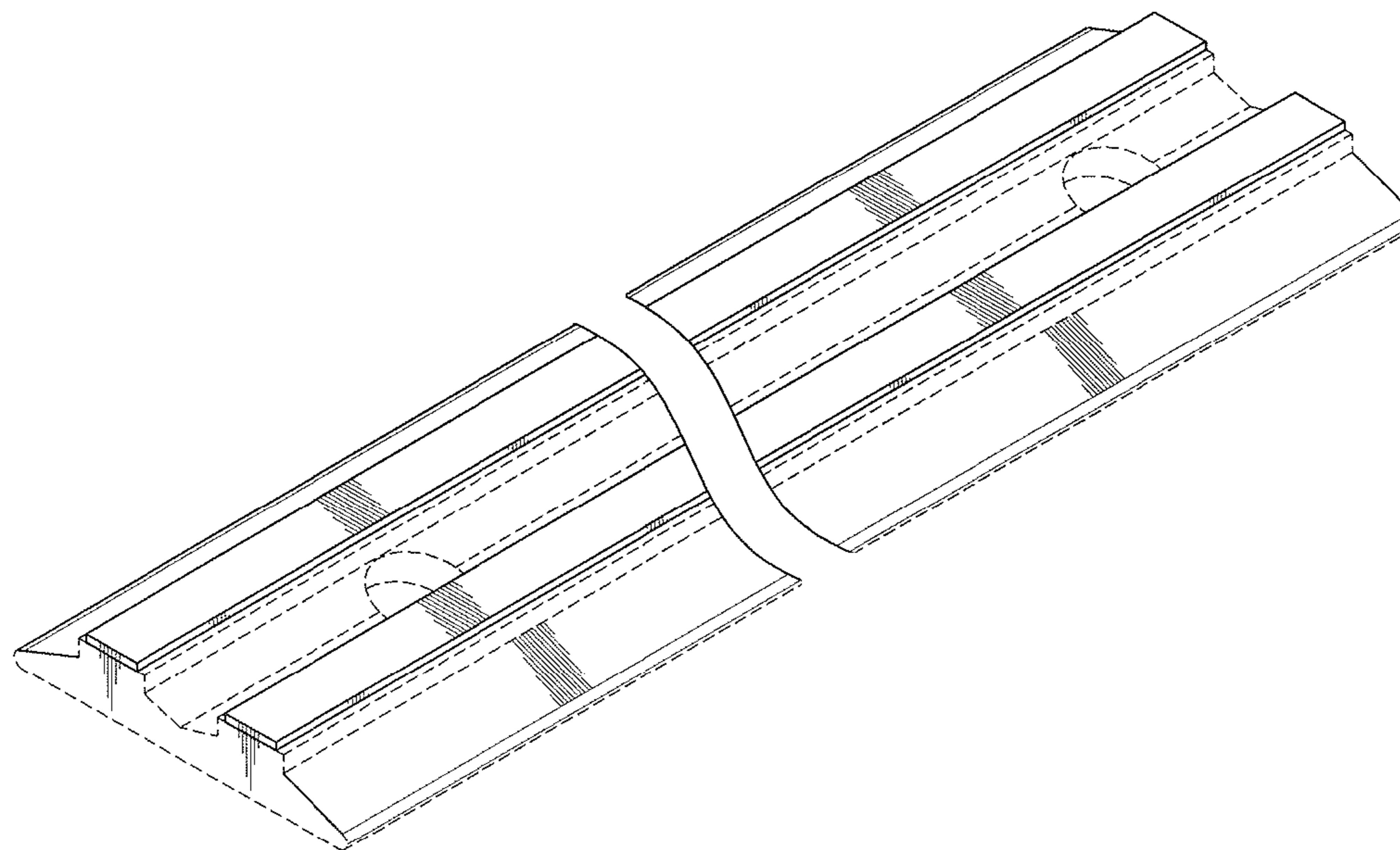
**Related U.S. Application Data**

- (63) Continuation of application No. 12/360,361, filed on Jan. 27, 2009, which is a continuation of application No. 10/729,330, filed on Dec. 4, 2003, now Pat. No. 7,481,021.
- (51) **LOC (9) Cl.** ..... **22-06**
- (52) **U.S. Cl.**  
USPC ..... **D22/119**
- (58) **Field of Classification Search**  
USPC ..... D25/38.1; 52/101, 244; 256/11, 256/3, 59; D22/119; 119/650, 908  
See application file for complete search history.

(56) **References Cited**

**U.S. PATENT DOCUMENTS**

- 1,956,639 A 5/1934 Dana et al.
- 1,976,721 A 10/1934 Gengler
- 2,647,228 A 7/1953 Just
- 2,989,789 A 6/1961 Cohn
- 3,294,893 A 12/1966 Shaffer
- 3,320,354 A 5/1967 Marley et al.
- 3,366,854 A 1/1968 Robinson
- 3,622,685 A 11/1971 Cowl



# US D684,235 S

Page 2

## U.S. PATENT DOCUMENTS

4,471,561 A 9/1984 Lapierre  
4,475,141 A 10/1984 Antonevich  
4,494,733 A 1/1985 Olsson  
4,533,120 A 8/1985 Ruddock  
4,706,941 A 11/1987 Sherdan  
4,747,229 A 5/1988 Chambers  
4,839,984 A 6/1989 Saunders et al.  
4,861,645 A 8/1989 Standing  
4,862,637 A 9/1989 Dressel  
4,949,216 A 8/1990 Djukastein  
5,007,196 A 4/1991 Saunders et al.  
5,019,438 A 5/1991 Rapisarda  
5,031,353 A 7/1991 Gardiner  
5,036,166 A 7/1991 Monopoli  
5,049,704 A 9/1991 Matouschek  
5,095,646 A 3/1992 Bunkers  
5,096,162 A 3/1992 Cleveland  
5,107,620 A 4/1992 Mahan  
5,151,319 A 9/1992 Schoutteten  
5,158,039 A 10/1992 Clark  
5,163,658 A 11/1992 Cleveland  
5,253,444 A 10/1993 Donoho et al.  
5,357,049 A 10/1994 Plummer, III  
5,366,780 A 11/1994 Rapisarda  
5,430,255 A 7/1995 Downie et al.  
5,433,029 A 7/1995 Donoho et al.  
5,570,537 A 11/1996 Black et al.  
5,677,674 A 10/1997 Wolf  
5,835,332 A 11/1998 White et al.  
5,850,808 A 12/1998 Burdick  
5,957,434 A 9/1999 Nilsson  
6,006,698 A 12/1999 Negre  
6,145,236 A 11/2000 King  
6,250,023 B1 6/2001 Donoho  
6,283,064 B1 9/2001 Djukastein et al.  
6,314,914 B1 11/2001 Betzen  
6,332,262 B1 12/2001 Sakamoto  
6,341,550 B1 1/2002 White  
6,371,054 B1 4/2002 Celata et al.  
6,457,283 B1 10/2002 Jensen

6,472,602 B1 10/2002 Pokrandt  
6,477,027 B1 11/2002 McKelvy  
D485,598 S \* 1/2004 Wanser ..... D22/119  
2001/0015426 A1 8/2001 Bellon  
2001/0048053 A1 12/2001 Donoho  
2002/0066895 A1 6/2002 Wildschut  
2002/0092481 A1 7/2002 Spooner  
2003/0172575 A1 9/2003 Donoho  
2003/0208967 A1 11/2003 Riddell  
2004/0173786 A1 9/2004 Robbins, III  
2004/0255837 A1 12/2004 Donoho  
2005/0132635 A1\* 6/2005 Riddell ..... 43/98  
2005/0150469 A1 7/2005 Wolfgram

## FOREIGN PATENT DOCUMENTS

DE 199544117 A1 5/1997  
EP 0592054 A1 4/1994  
EP 1205589 5/2002  
EP 1 314 355 A2 5/2003  
GB 1 207 496 10/1970  
JP 08256666 A 10/1996  
JP 11155463 A 6/1999  
JP 11289959 A 10/1999  
JP 11346634 A 12/1999  
JP 200032901 A 2/2000  
JP 200200163 1/2002  
JP 2002017235 A 1/2002  
JP 2002119193 A 4/2002  
JP 2003219788 8/2003  
WO WO-84/04022 10/1984  
WO WO-9320689 10/1993  
WO WO-95/08915 4/1995  
WO WO-2004021780 A1 3/2004

## OTHER PUBLICATIONS

Bird Barrier America, Inc., pp. 24-25 of its 2001 Catalog, published in the United States.

\* cited by examiner

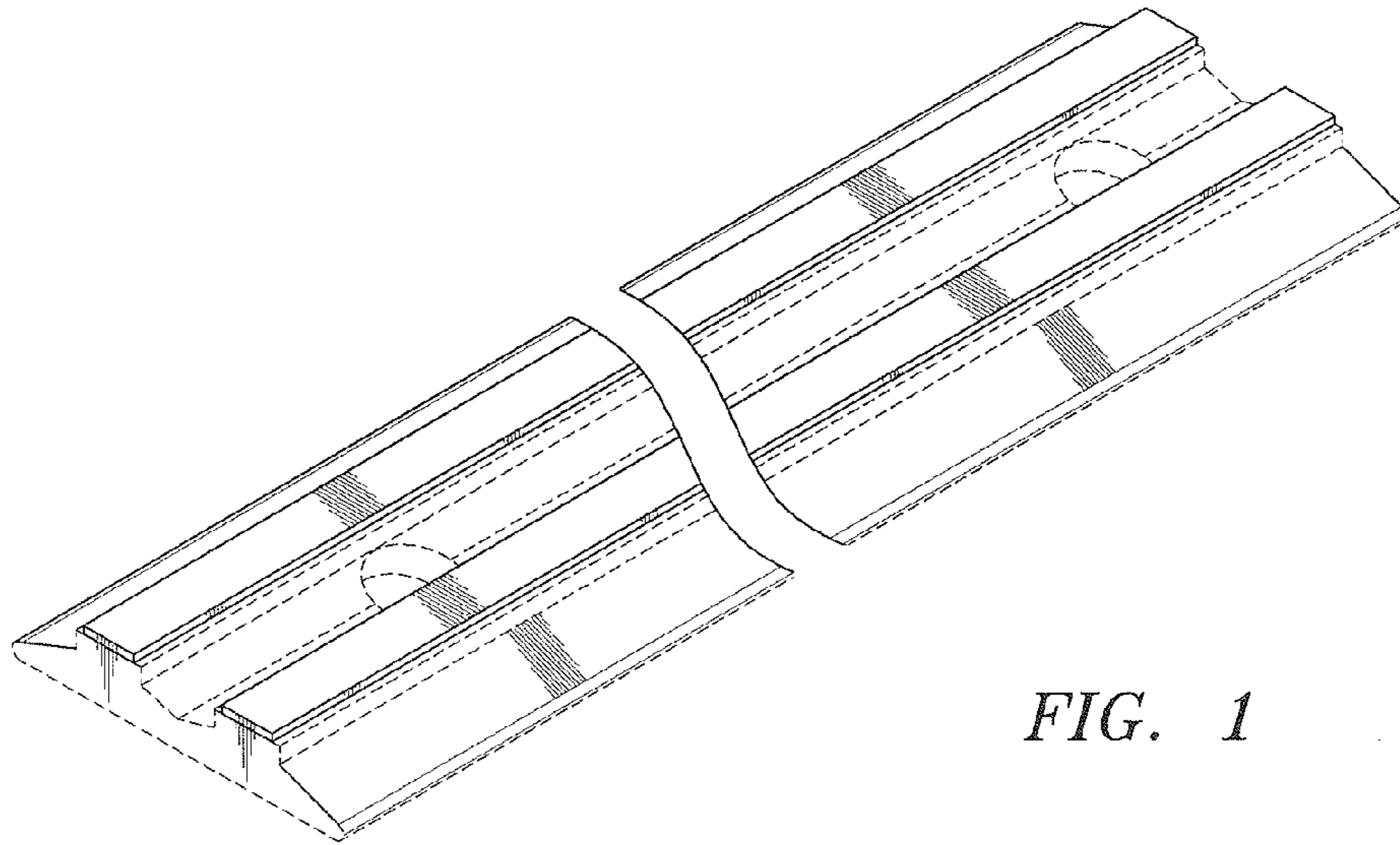


FIG. 1

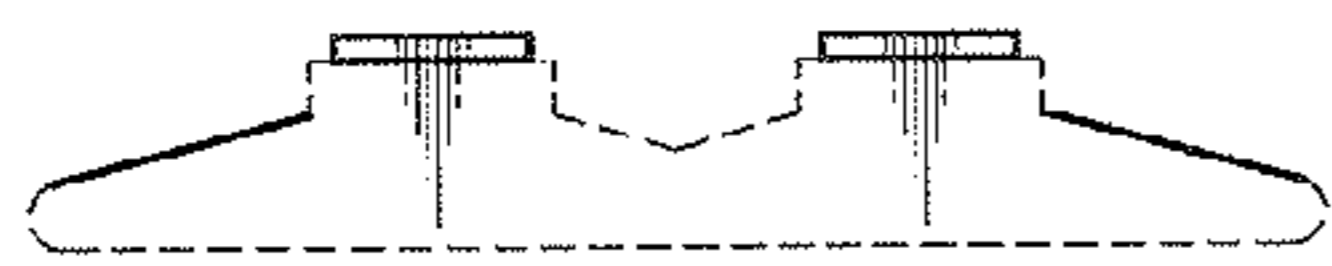


FIG. 2



FIG. 3

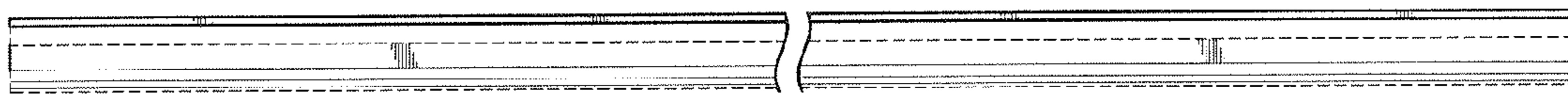


FIG. 4

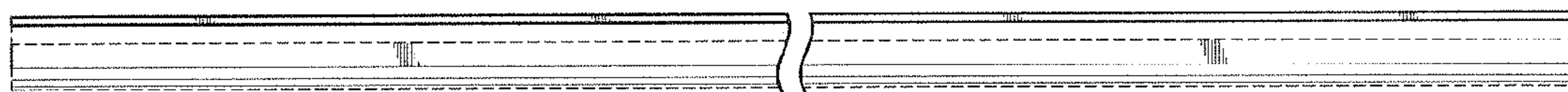


FIG. 5



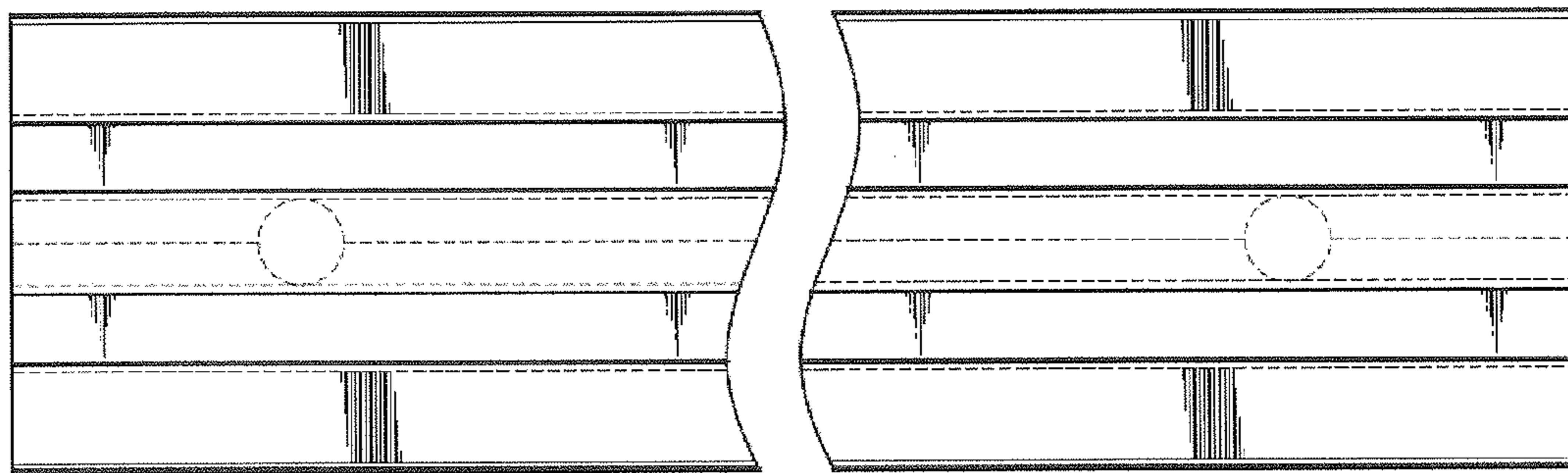


FIG. 6