



US00D684233S

(12) **United States Design Patent**  
**Yang et al.**

(10) **Patent No.:** **US D684,233 S**  
(45) **Date of Patent:** **\*\* \*Jun. 11, 2013**

- (54) **TRAMPOLINE**
- (75) Inventors: **Wei Yang**, Queensland (AU); **Joe Andon**, Queensland (AU)
- (73) Assignee: **Vuly Pty, Ltd.**, Wakerley (AU)
- (\* ) Notice: This patent is subject to a terminal disclaimer.
- (\*\* ) Term: **14 Years**
- (21) Appl. No.: **29/396,656**
- (22) Filed: **Jul. 5, 2011**
- (51) **LOC (9) Cl.** ..... **21-02**
- (52) **U.S. Cl.**  
USPC ..... **D21/797**
- (58) **Field of Classification Search**  
USPC ..... D21/662, 672, 673, 675, 676, 686,  
D21/690, 691, 692, 694, 79, 814; 482/27,  
482/28, 29, 30, 38, 51, 52, 53, 79, 80, 142,  
482/146, 147; D6/349, 484  
See application file for complete search history.

D462,103	S	*	8/2002	Chen	.....	D21/797
6,663,538	B2	*	12/2003	Yoon	.....	482/27
7,037,220	B1	*	5/2006	Gordon	.....	473/466
D570,438	S	*	6/2008	Adams	.....	D21/814
D570,930	S	*	6/2008	VanElverdinghe	.....	D21/694
D570,947	S	*	6/2008	Horne	.....	D21/797
D572,777	S	*	7/2008	VanElverdinghe	.....	D21/694
D576,229	S	*	9/2008	VanElverdinghe	.....	D21/694
D595,800	S	*	7/2009	VanElverdinghe	.....	D21/814
D614,715	S	*	4/2010	Mann	.....	D21/797
7,708,667	B2	*	5/2010	Alexander	.....	482/27
7,758,471	B2	*	7/2010	Nelson	.....	482/27
7,850,575	B1	*	12/2010	Hsiang	.....	482/27
D630,285	S	*	1/2011	Hsiang	.....	D21/797
2002/0137598	A1	*	9/2002	Publicover et al.	.....	482/27

\* cited by examiner

*Primary Examiner* — Susan E Krakower

(74) *Attorney, Agent, or Firm* — Kelley Drye & Warren LLP

(57) **CLAIM**

The ornamental design for a trampoline, as shown and described.

**DESCRIPTION**

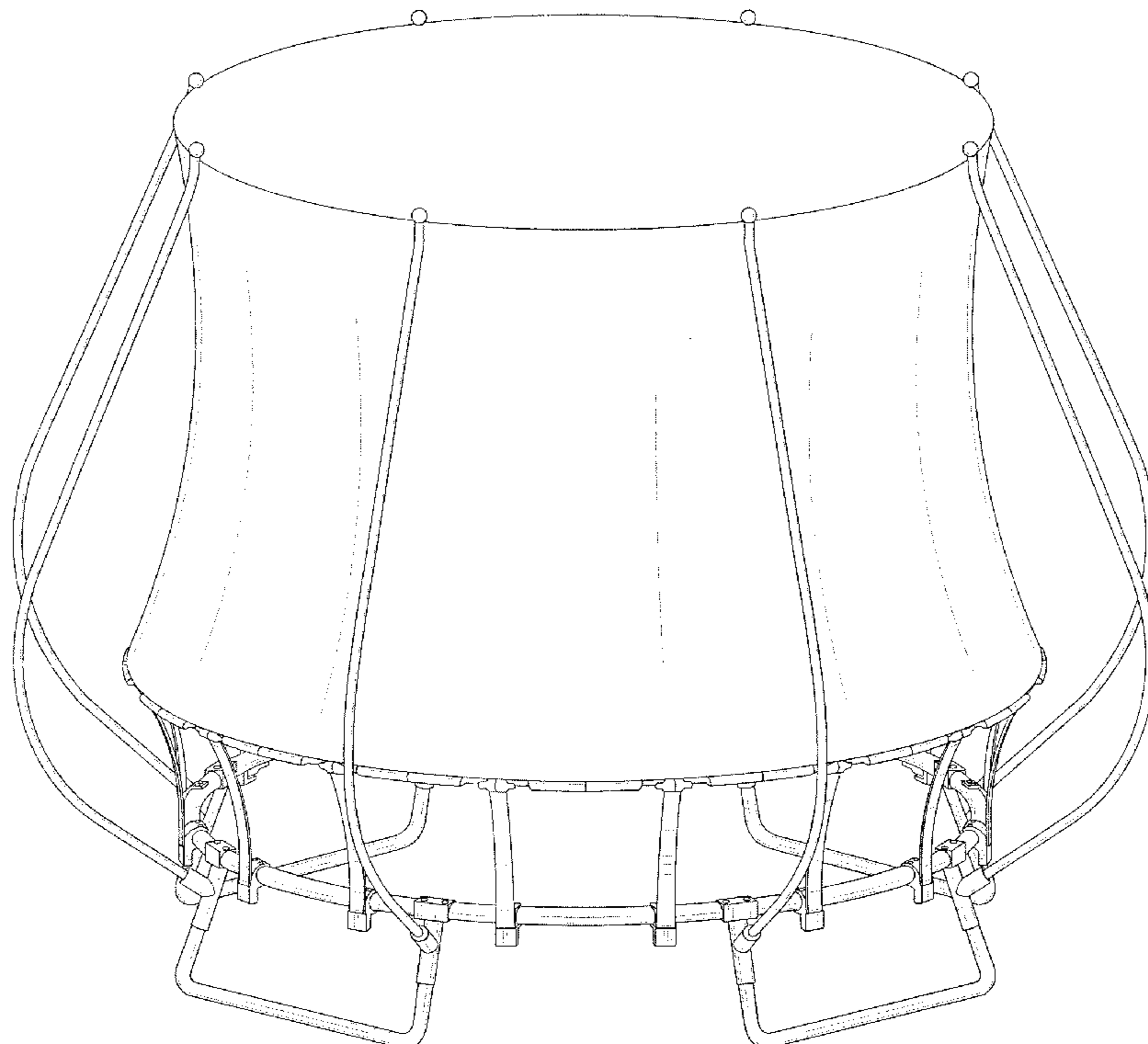
FIG. 1 is a perspective view of a trampoline showing our new design;  
 FIG. 2 is a front elevation view thereof;  
 FIG. 3 is a top plan view thereof; and,  
 FIG. 4 is a bottom plan view thereof.  
 The broken lines in the drawings represent portions of the trampoline which form no part of the claimed design.

**1 Claim, 4 Drawing Sheets**

(56) **References Cited**

U.S. PATENT DOCUMENTS

D187,138	S	*	2/1960	Higberger	.....	D21/797
4,569,515	A	*	2/1986	Gordon	.....	473/473
4,900,011	A	*	2/1990	Nolet	.....	482/29
6,135,922	A	*	10/2000	Nissen	.....	482/27
D433,725	S	*	11/2000	Chen	.....	D21/797
6,336,893	B1	*	1/2002	Chen	.....	482/29



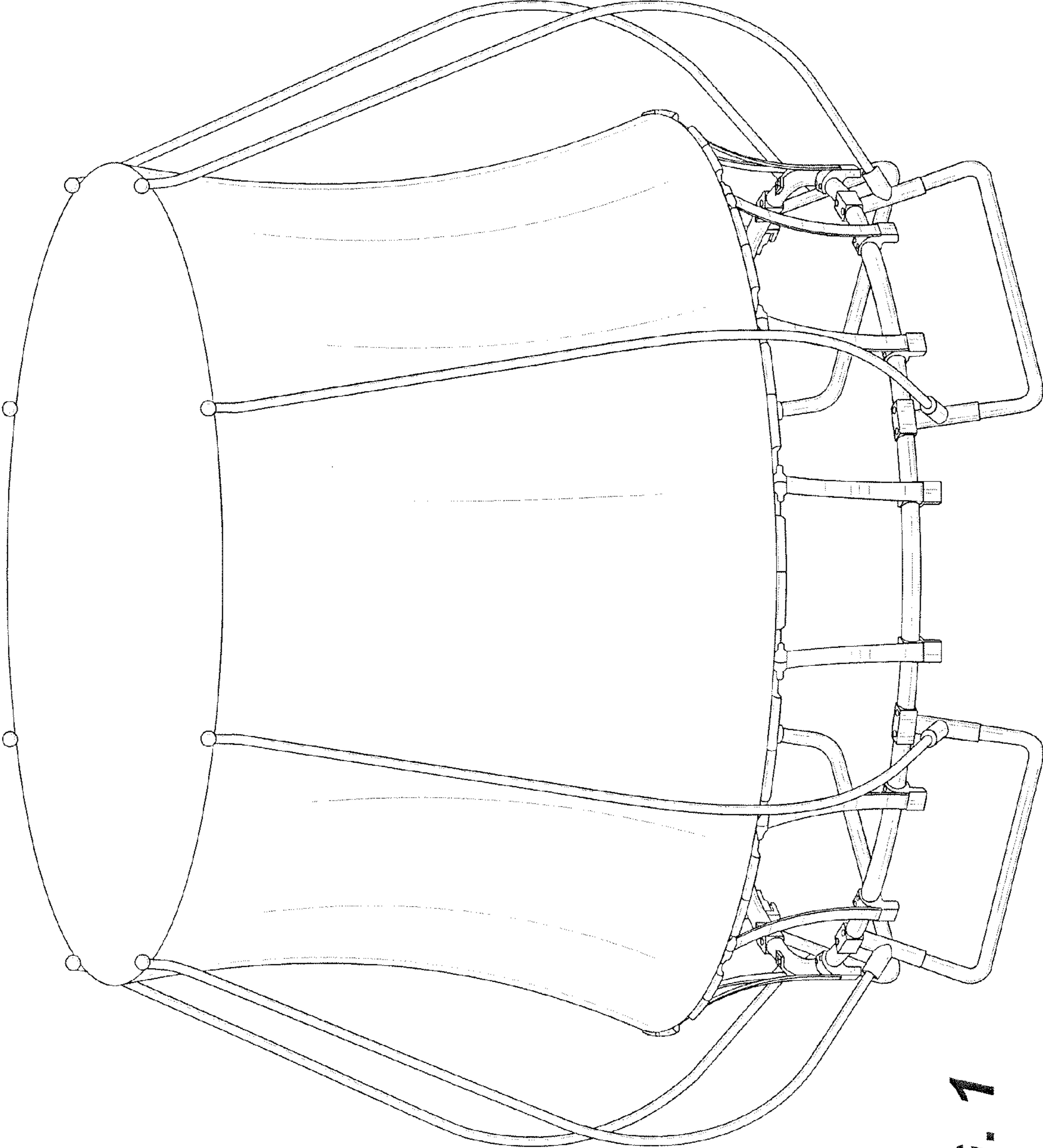


FIG. 1

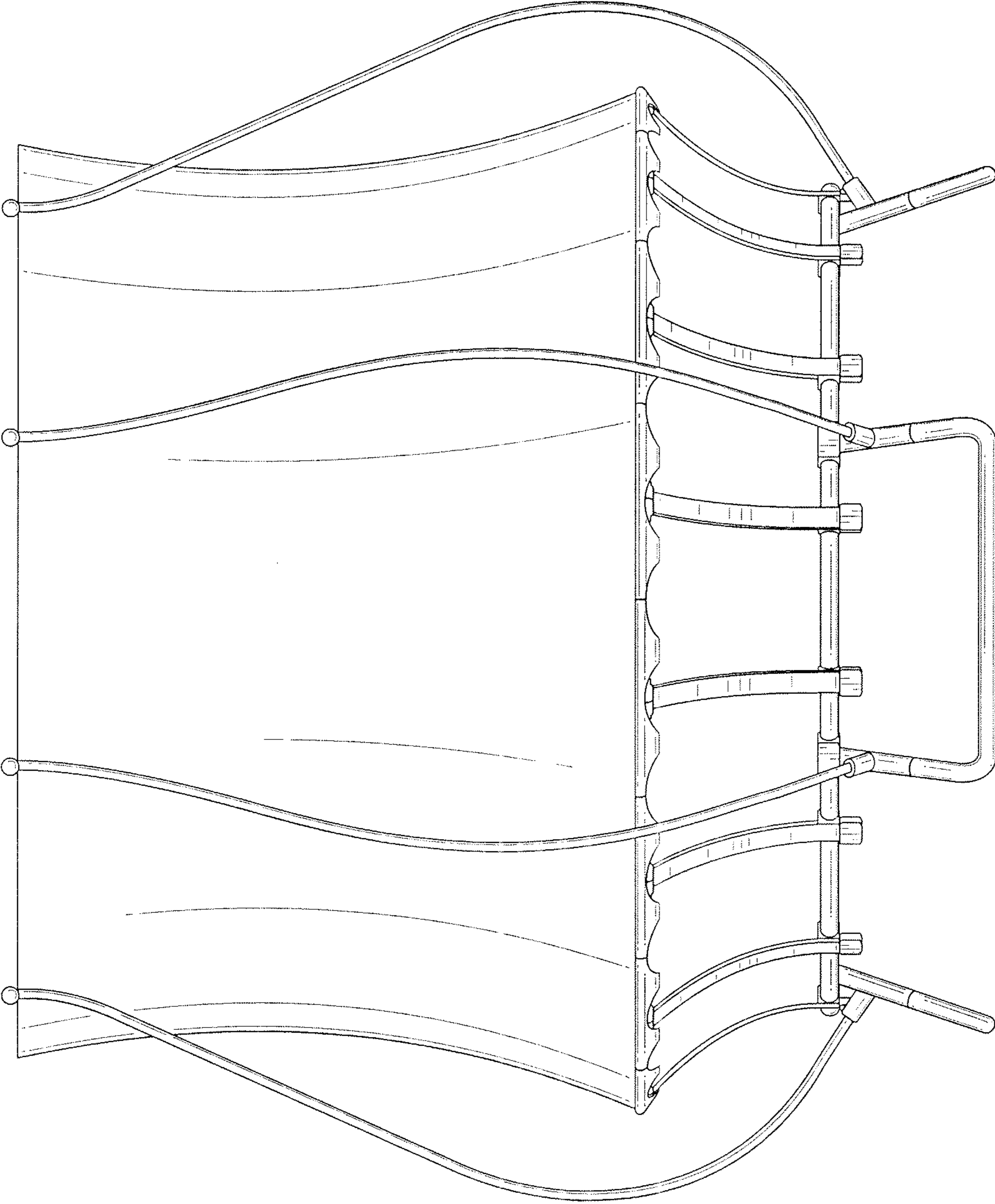


FIG. 2

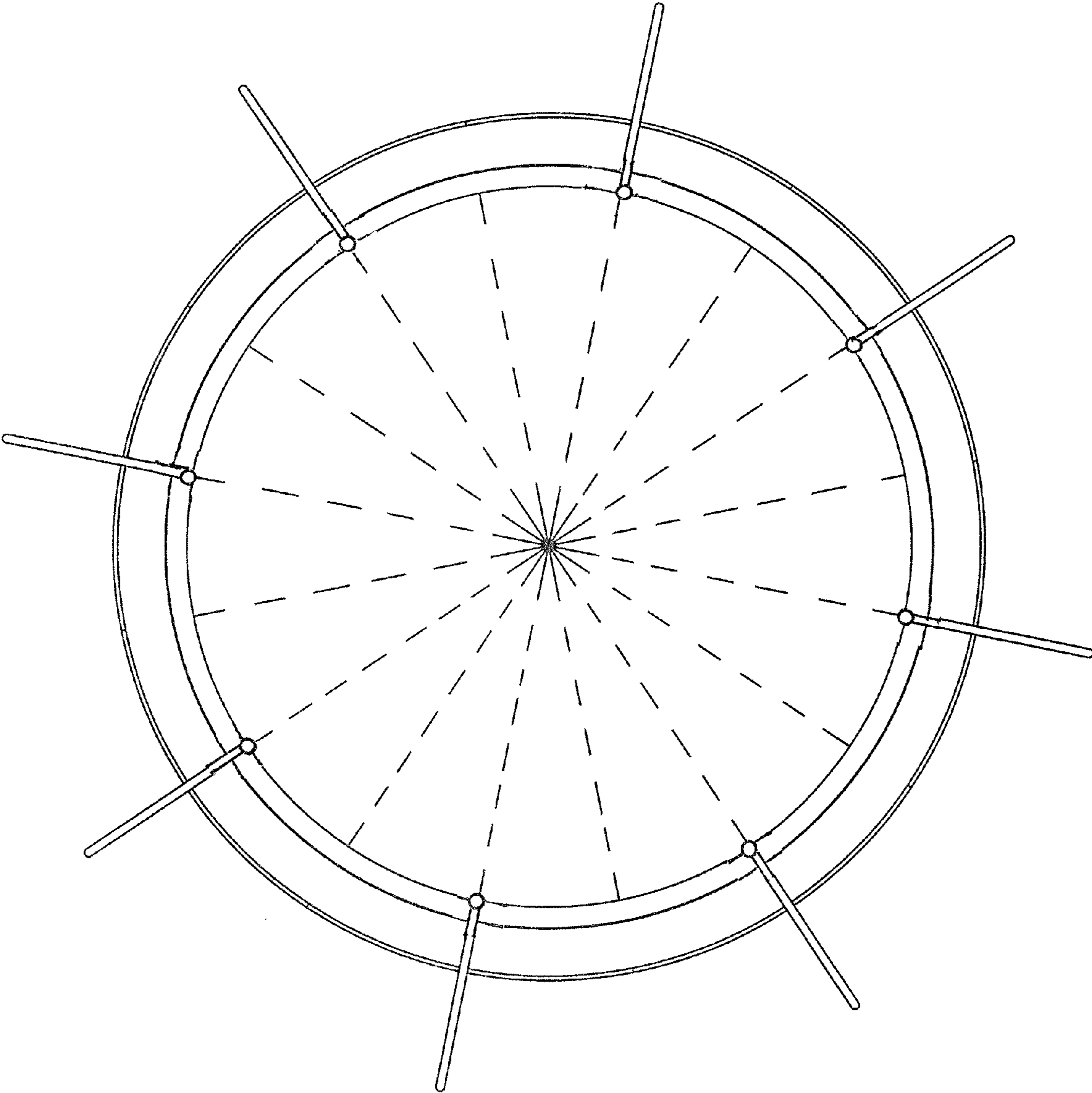


Fig. 3



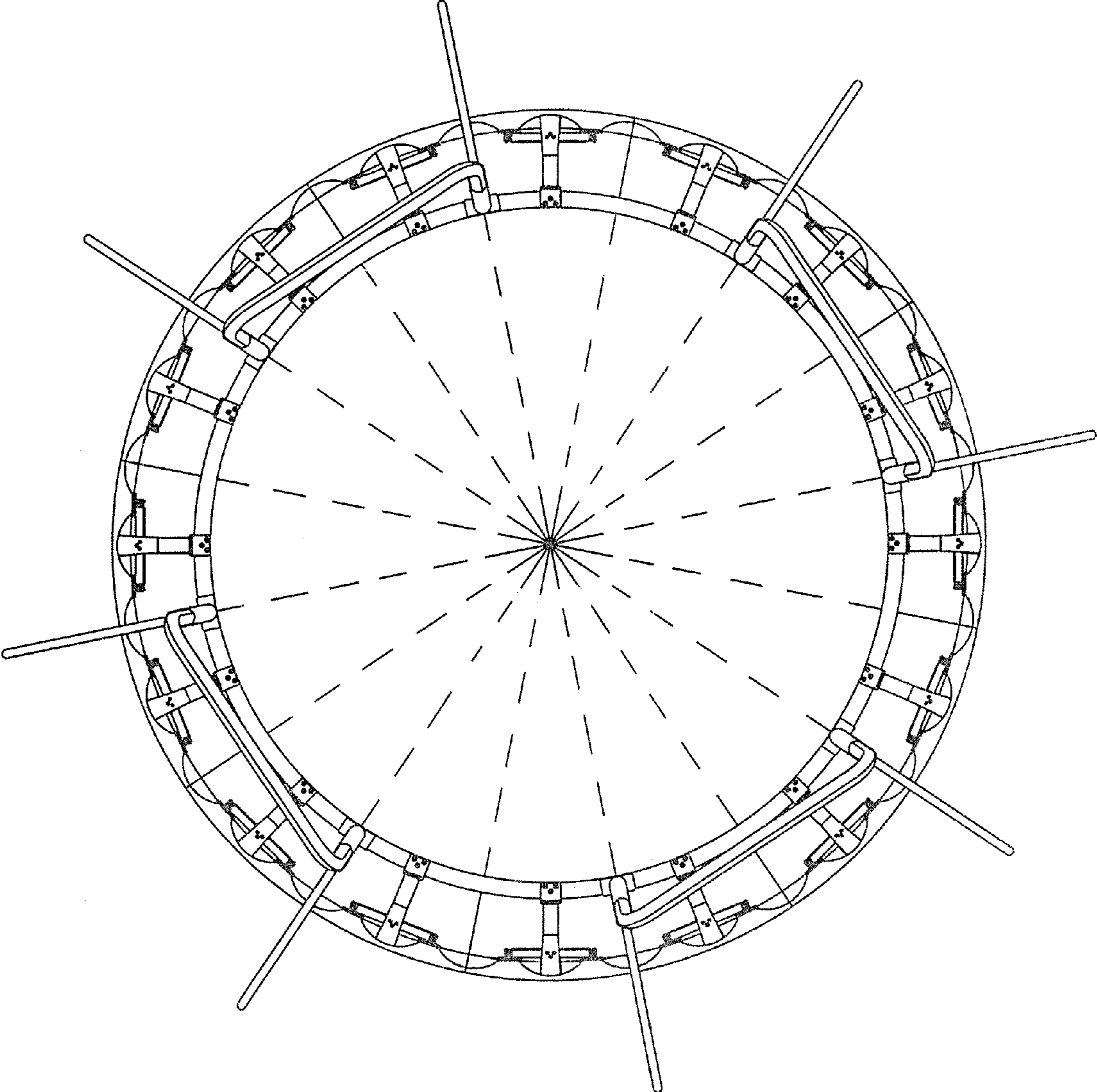


Fig. 4