



US00D684232S

(12) **United States Design Patent**
Vercelli

(10) **Patent No.:** **US D684,232 S**
(45) **Date of Patent:** **** Jun. 11, 2013**

- (54) **MID-SECTION OF A SURFBOARD**
- (76) Inventor: **Marcello Vercelli**, Honolulu, HI (US)
- (**) Term: **14 Years**
- (21) Appl. No.: **29/425,506**
- (22) Filed: **Jun. 23, 2012**
- (51) **LOC (9) Cl.** **21-02**
- (52) **U.S. Cl.**
USPC **D21/769**
- (58) **Field of Classification Search**
USPC D21/769-770, 801, 803, 809; 114/253,
114/345-346; 441/35, 66, 74, 40-42, 129-132;
472/128-129; D12/5, 6, 316
See application file for complete search history.

- D606,608 S 12/2009 Del Pino Bermejo
- D607,524 S 1/2010 Marciano
- D608,403 S * 1/2010 Johnsrud D21/769
- D616,517 S 5/2010 Polfer
- D631,926 S 2/2011 Arzente

* cited by examiner

Primary Examiner — Zenia Bennett

(74) *Attorney, Agent, or Firm* — QuickPatents; Kevin Prince

(57) **CLAIM**

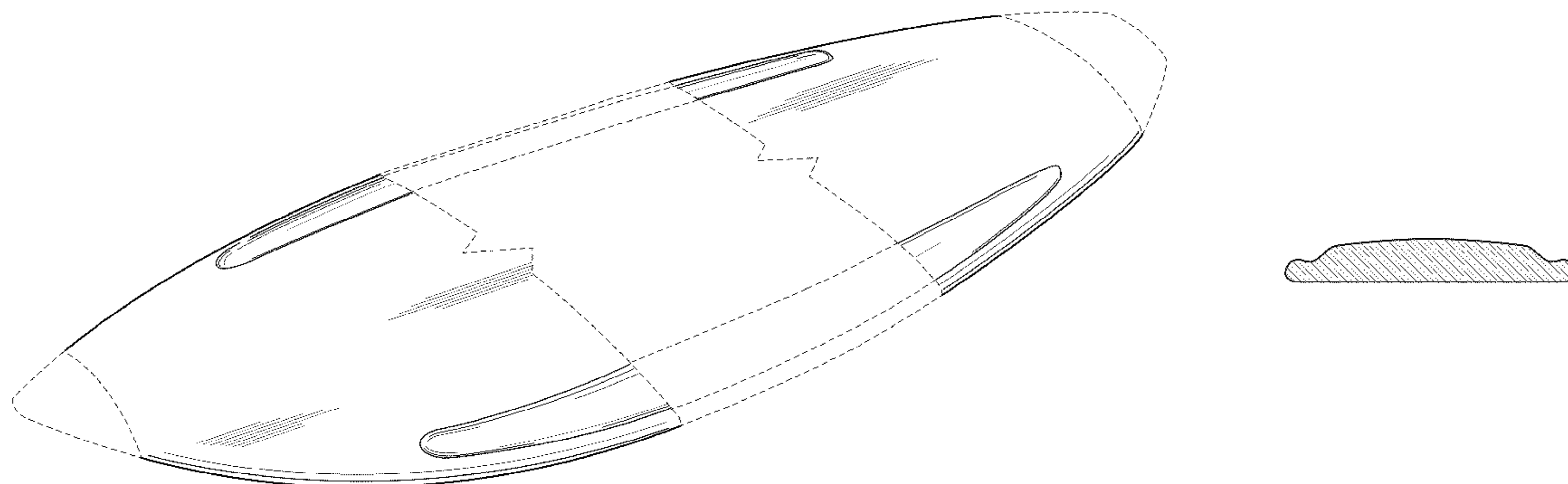
I claim the ornamental design for a mid-section of a surfboard, as shown and described.

DESCRIPTION

FIG. 1 is a perspective view of a mid-section of a surfboard, showing my new design;
 FIG. 2 is a left-side elevational view thereof, the right-side elevational view being a mirror image thereof;
 FIG. 3 is a front elevational view thereof;
 FIG. 4 is a rear elevational view thereof;
 FIG. 5 is a cross-sectional view thereof, taken generally along lines 5-5 of FIG. 6.
 FIG. 6 is a top plan view thereof; and,
 FIG. 7 is a bottom plan view thereof.
 The broken lines showing a front and rear portion of the surfboard in FIG. 1 depict environmental matter and form no part of the claimed design. The remaining broken lines depict the mid-section of the surfboard having indeterminate length.

1 Claim, 3 Drawing Sheets

- (56) **References Cited**
U.S. PATENT DOCUMENTS
- D110,159 S 6/1938 Taylor
- D258,516 S 3/1981 Slingerland
- 4,331,340 A 5/1982 Bolen
- D265,116 S * 6/1982 Churchill D21/770
- D265,898 S * 8/1982 Cerkovnik et al. D12/303
- 4,538,540 A 9/1985 Cashmere
- D305,349 S * 1/1990 Shanelec D21/769
- D351,636 S 10/1994 Newton
- D428,460 S * 7/2000 Enochs D21/769
- D434,097 S * 11/2000 Fleming D21/769
- D503,763 S 4/2005 Morgan



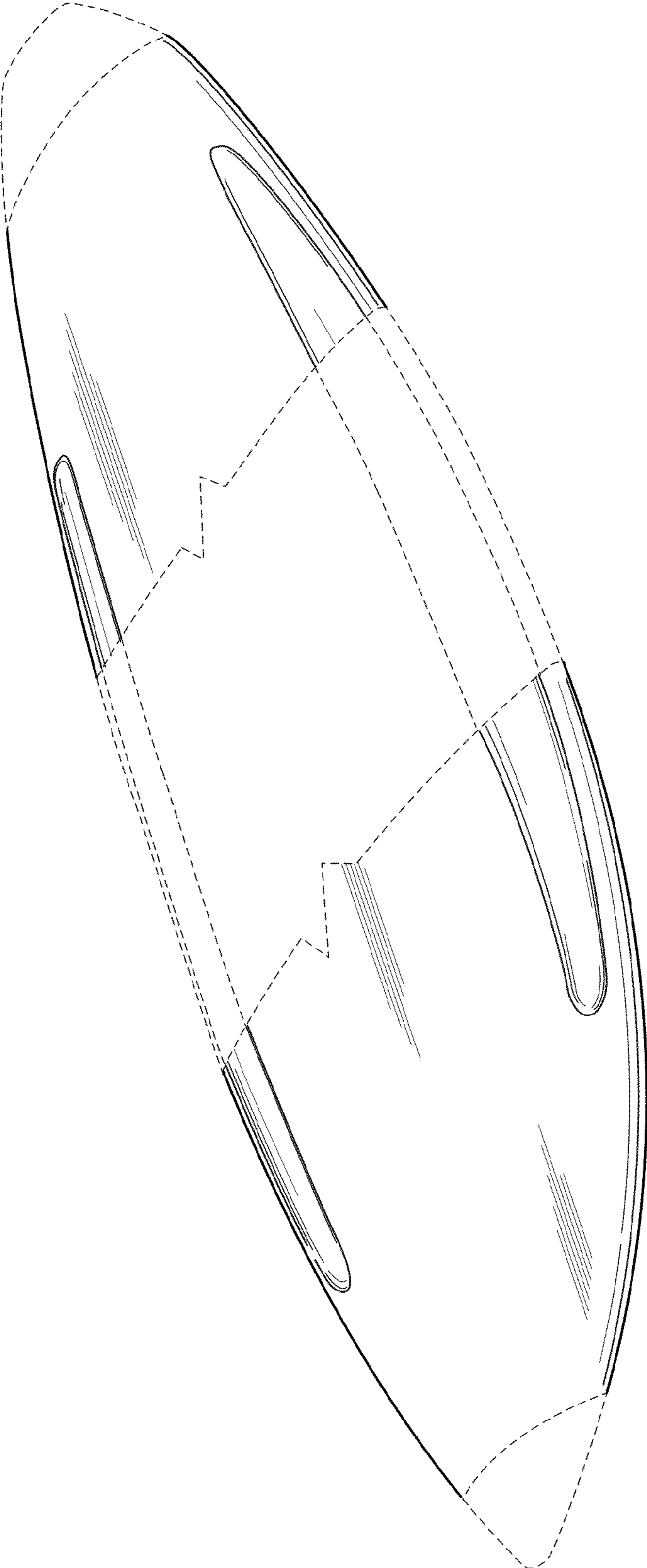


FIG. 1

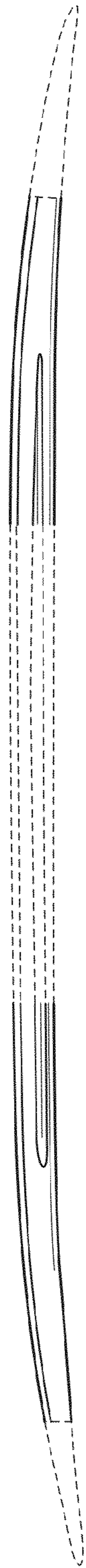


FIG. 2



FIG. 3



FIG. 4

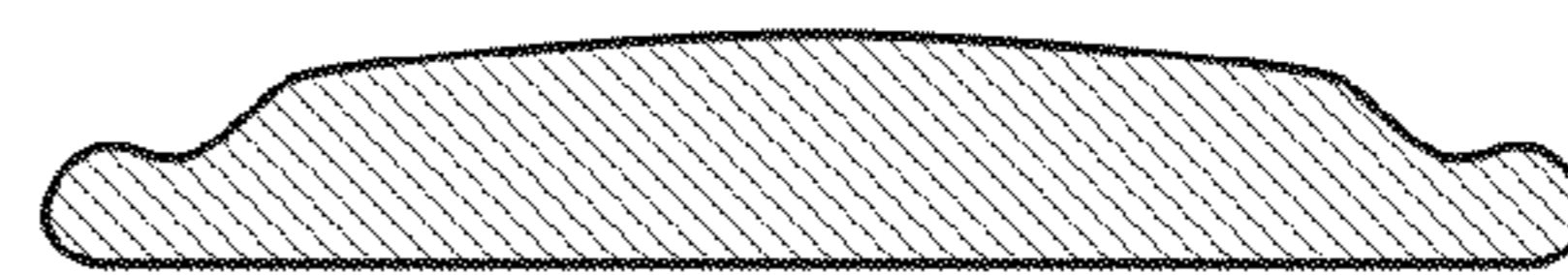


FIG. 5

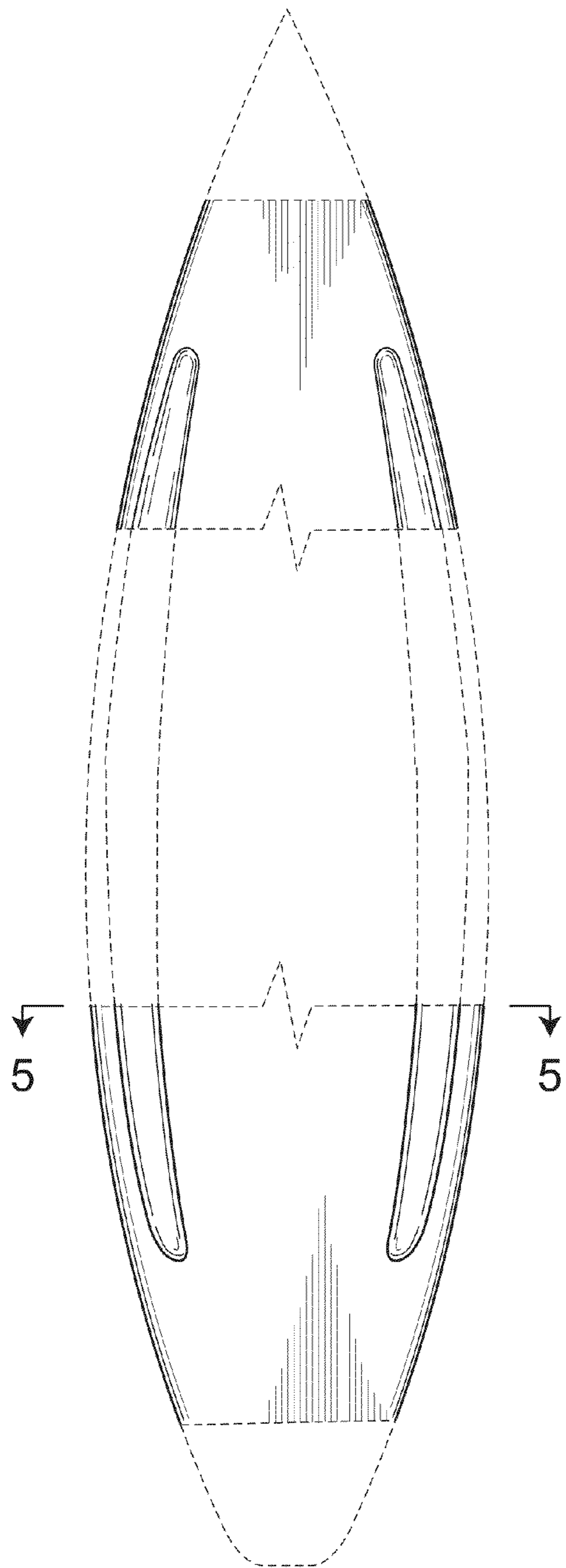


FIG. 6

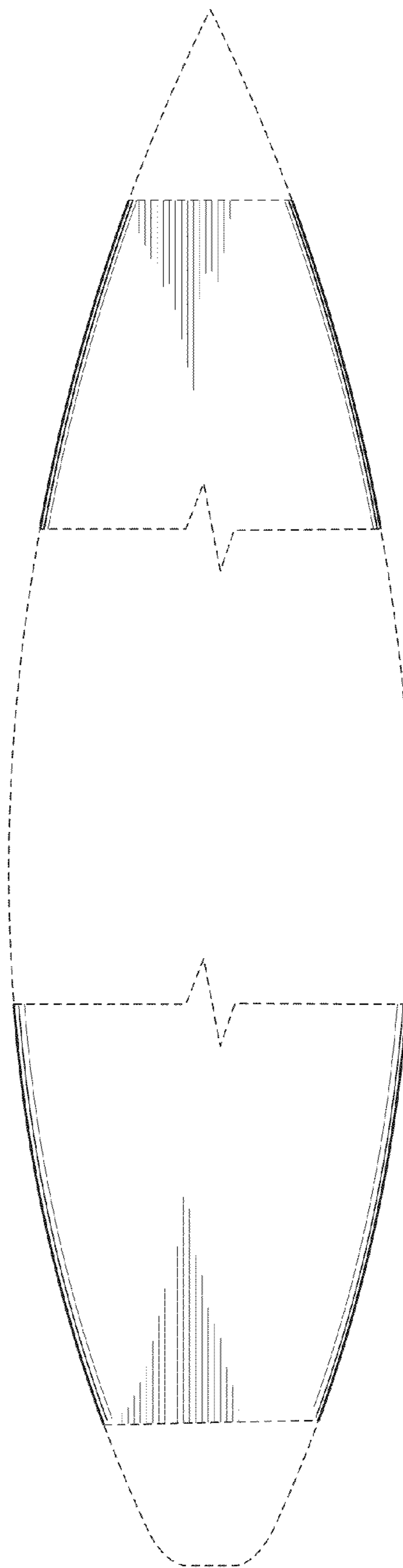


FIG. 7