



US00D684231S

(12) **United States Design Patent**  
**Albert et al.**

(10) **Patent No.:** **US D684,231 S**  
(45) **Date of Patent:** **\*\* Jun. 11, 2013**

(54) **ILLUMINATED SKATEBOARD DECK**

(75) Inventors: **Martin K. Albert**, San Diego, CA (US);  
**Joseph T. Morello**, San Diego, CA (US)

(73) Assignee: **Flexdex Skateboards, LLC**, Santez, CA (US)

(\*\*) Term: **14 Years**

(21) Appl. No.: **29/399,806**

(22) Filed: **Aug. 18, 2011**

(51) **LOC (9) Cl.** ..... **21-01**

(52) **U.S. Cl.**

USPC ..... **D21/765**

(58) **Field of Classification Search**

USPC ..... D21/419, 421, 423, 426, 760, 765,  
D21/766, 769, 771, 776, 803; D12/1; 280/7.14,  
280/11.115, 11.19, 11.27, 11.28, 14.21, 87.01,  
280/87.021, 87.03, 87.041, 87.042, 607,  
280/608, 609, 809; 180/180, 181; 434/247,  
434/253, 258; 362/84, 183

See application file for complete search history.

(56) **References Cited**

**U.S. PATENT DOCUMENTS**

D243,206	S	*	1/1977	Sherwood	.....	D21/765
D246,065	S	*	10/1977	Saul	.....	D21/765
4,114,913	A	*	9/1978	Newell et al.	.....	280/14.21
D298,448	S	*	11/1988	Seehaver	.....	D21/765
4,991,066	A		2/1991	McCowan		
4,997,196	A		3/1991	Wood		
5,004,256	A		4/1991	Won		

(Continued)

*Primary Examiner* — Cynthia M Chin

(74) *Attorney, Agent, or Firm* — Charmasson, Buchaca & Leach, LLP

(57) **CLAIM**

The ornamental design for an illuminated skateboard deck, as shown and described.

**DESCRIPTION**

FIG. 1 is a top, front, right side perspective view of a skateboard deck showing a first embodiment of our new design.

FIG. 2 is a top plan view thereof.

FIG. 3 is a bottom plan view thereof.

FIG. 4 is a left side plan view thereof, the right side being a mirror image thereof.

FIG. 5 is a front plan view thereof.

FIG. 6 is a back plan view thereof.

FIG. 7 is a top, front, right side perspective view of a skateboard deck showing a second embodiment of new design.

FIG. 8 is a bottom, front, left side perspective view thereof.

FIG. 9 is a top plan view thereof.

FIG. 10 is a bottom plan view thereof.

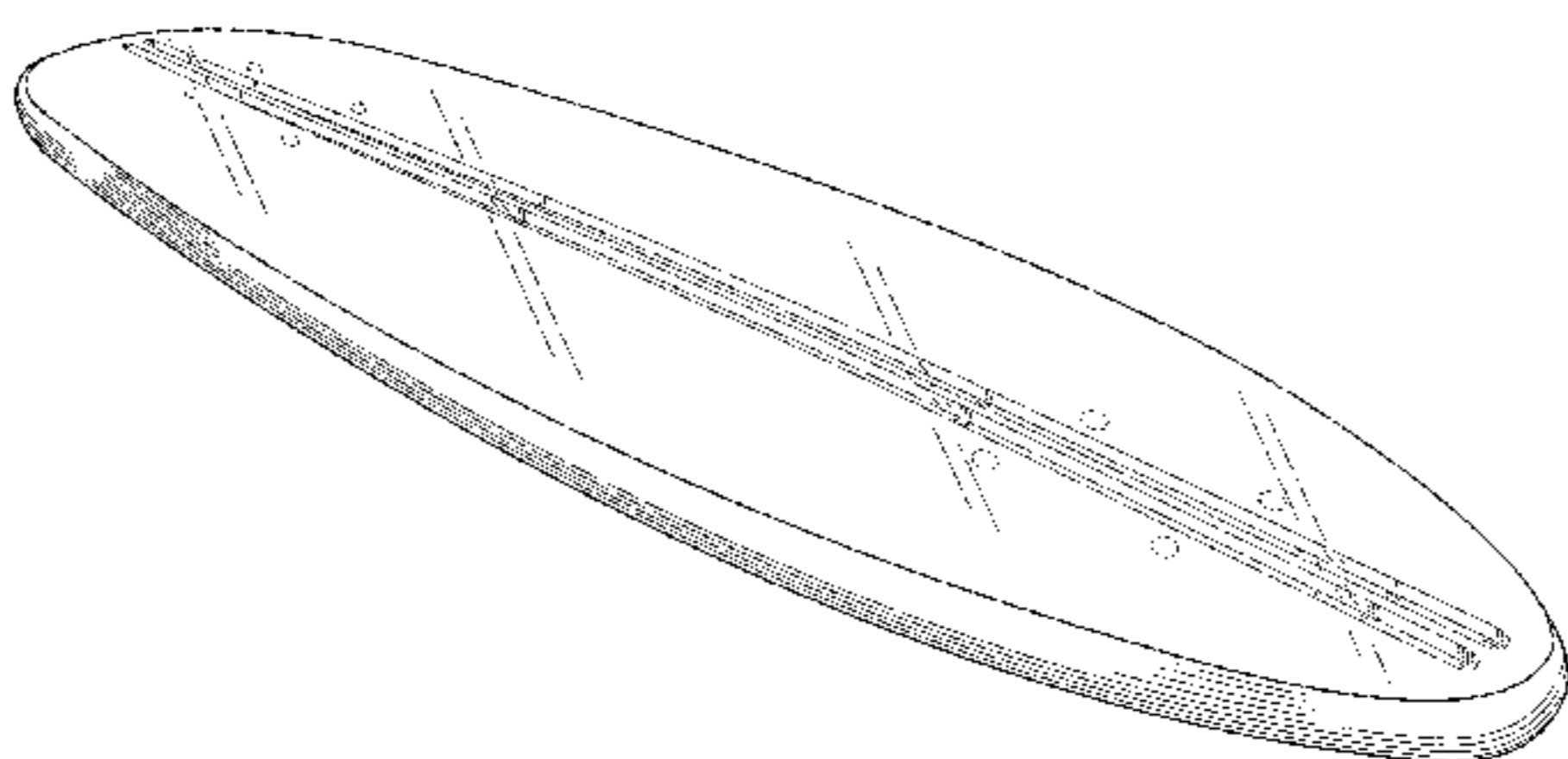
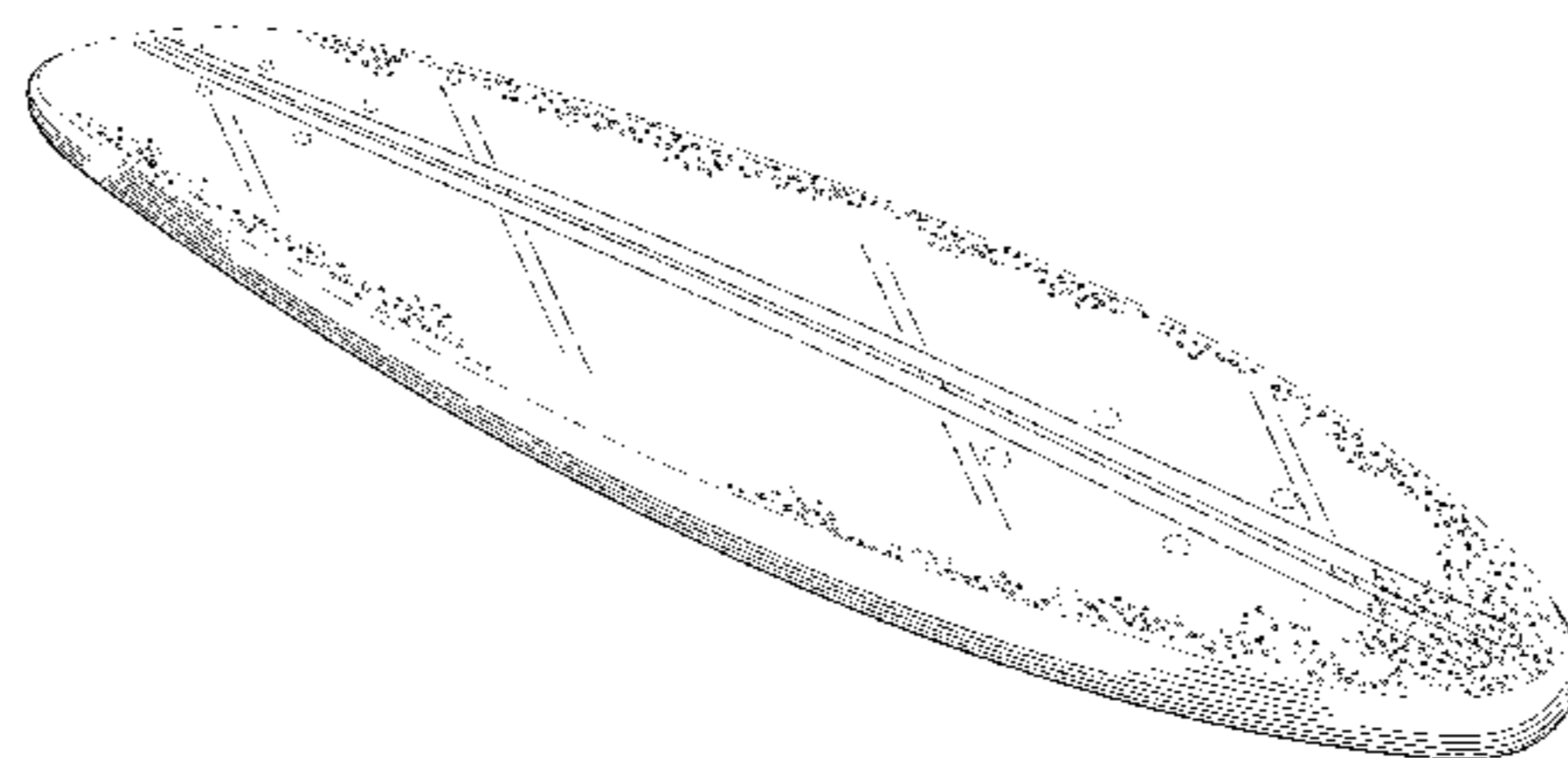
FIG. 11 is a left side plan view thereof, the right side being a mirror image thereof.

FIG. 12 is a front plan view thereof; and,

FIG. 13 is a back plan view thereof.

The dotted lines in FIGS. 1-4 and 7-10 showing the wheels, their support trucks and fastening bolts are included for the purpose of illustrating portions of the skateboard that form no part of the claimed design. The pairs of evenly spaced apart 45 degree angled shading degree lines in all of the figures are intended to indicate translucency which does form part of the claimed design. It shall be noted that in the embodiment of FIGS. 1-6, the translucency line are not shown on the channels to indicate these structures are not entirely translucent. The curved shading lines in FIGS. 1-3 and 7-10, and the straight shading lines in FIGS. 4-6, 9, and 14-13 in the drawing represent the three-dimensional contour(s) of the design, and are not intended to indicate surface decoration. The stippling in FIGS. 1-2 are intended to show a roughened texture entirely covering the top surface of the deck bordered by a smooth, non-roughened texture, convexly curved surface beyond the periphery of the top surface where it transitions to the curved front, back and sides of the deck. The roughened surface does form a part of the claimed design.

**1 Claim, 7 Drawing Sheets**



# US D684,231 S

Page 2

---

## U.S. PATENT DOCUMENTS

5,067,058	A	11/1991	Standley	D556,283	S	*	11/2007	Hamborg et al. ....	D21/765
5,119,277	A	6/1992	Copley et al.	7,445,218	B2		11/2008	Esposito et al.	
5,292,141	A	3/1994	Ekdal et al.	D608,851	S	*	1/2010	Hillman .....	D21/765
5,513,080	A	4/1996	Magle et al.	7,708,289	B2		5/2010	Jaime, Sr.	
5,921,653	A	7/1999	Chien	8,052,293	B2	*	11/2011	Hurwitz .....	362/84
6,431,733	B2	8/2002	Seifert et al.	2003/0185019	A1		10/2003	Rogers et al.	
6,802,636	B1	10/2004	Bailey, Jr.	2004/0257831	A1		12/2004	Liao	
7,048,284	B1	5/2006	Seifert	2005/0029767	A1	*	2/2005	Chang .....	280/87.042

\* cited by examiner

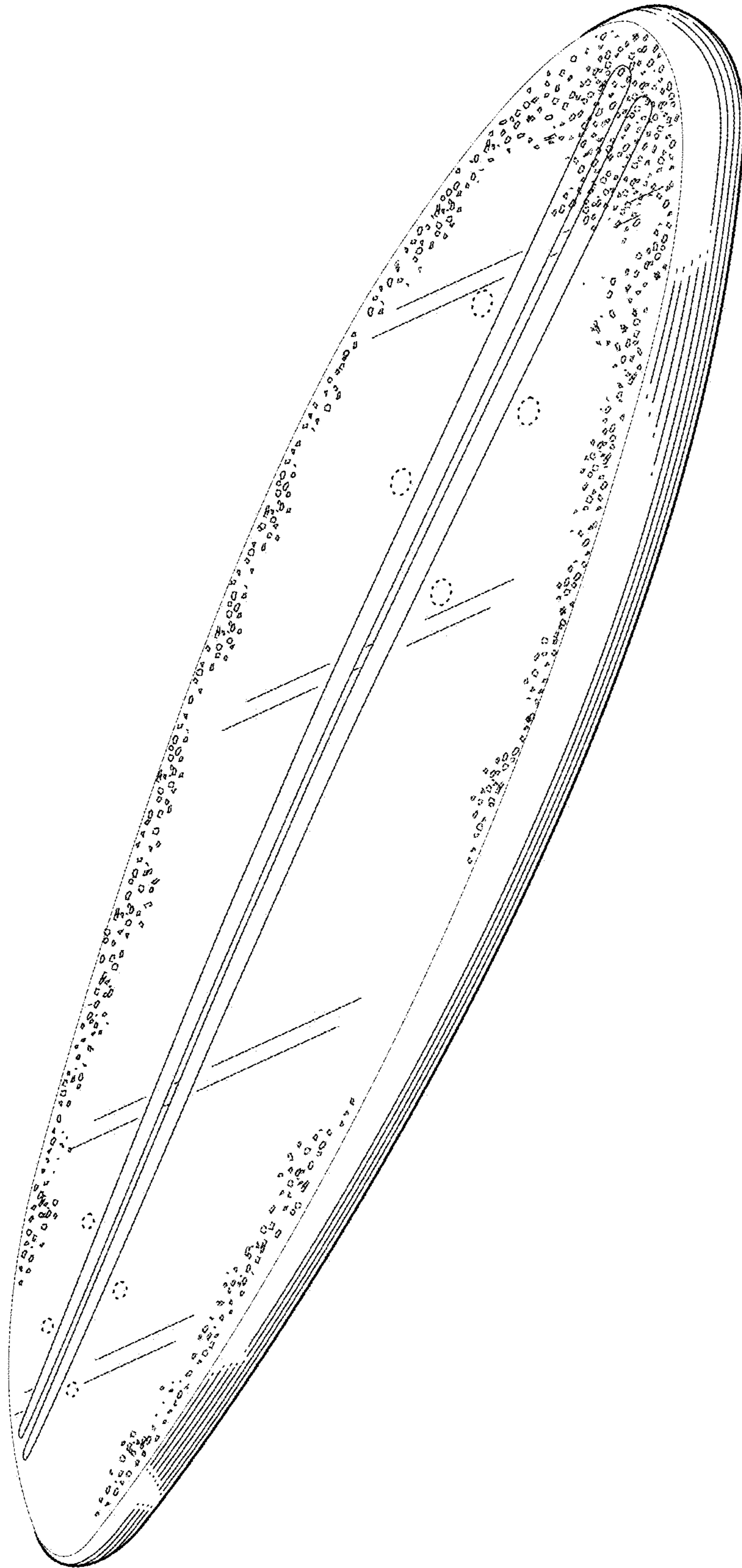


FIG. 1

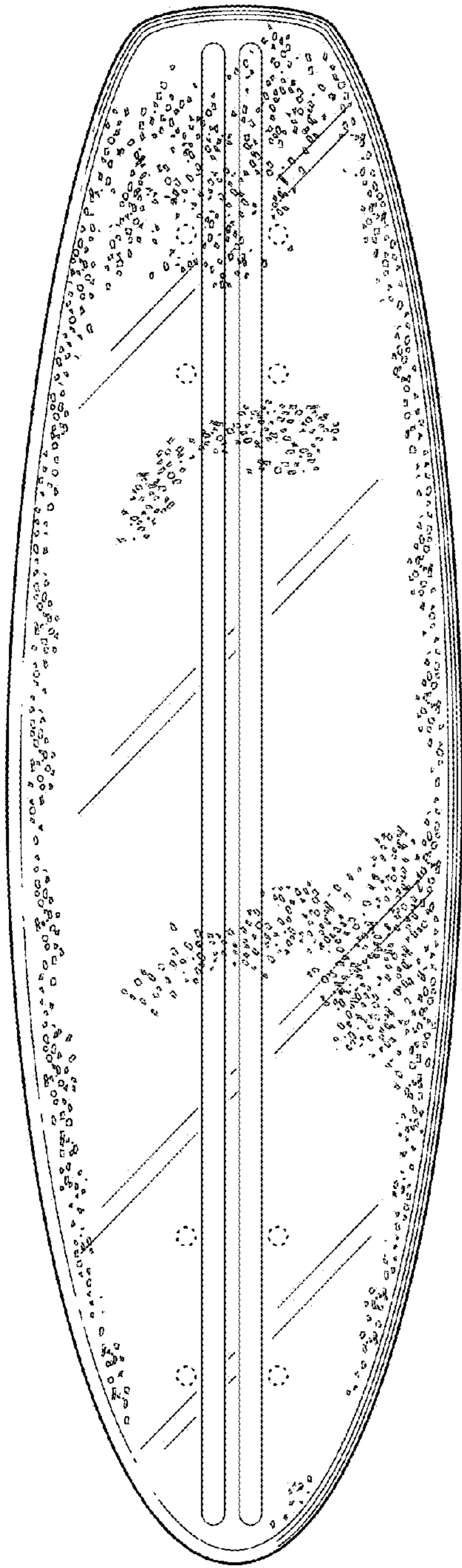


FIG. 2

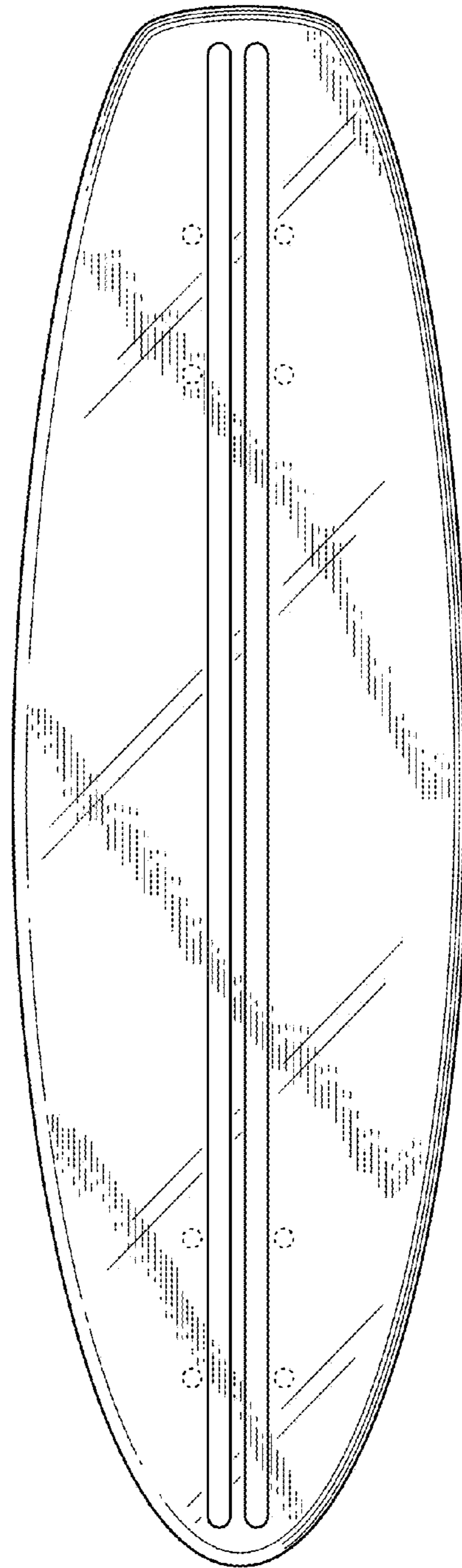


FIG. 3

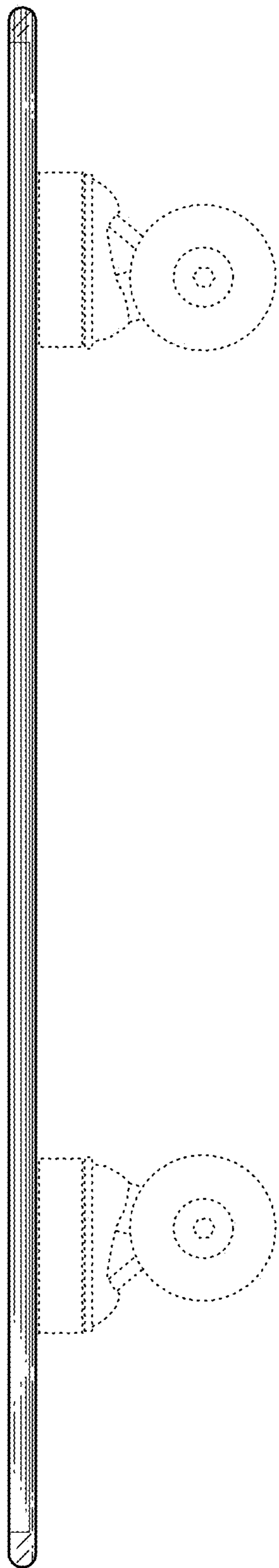


FIG. 4



FIG. 5



FIG. 6

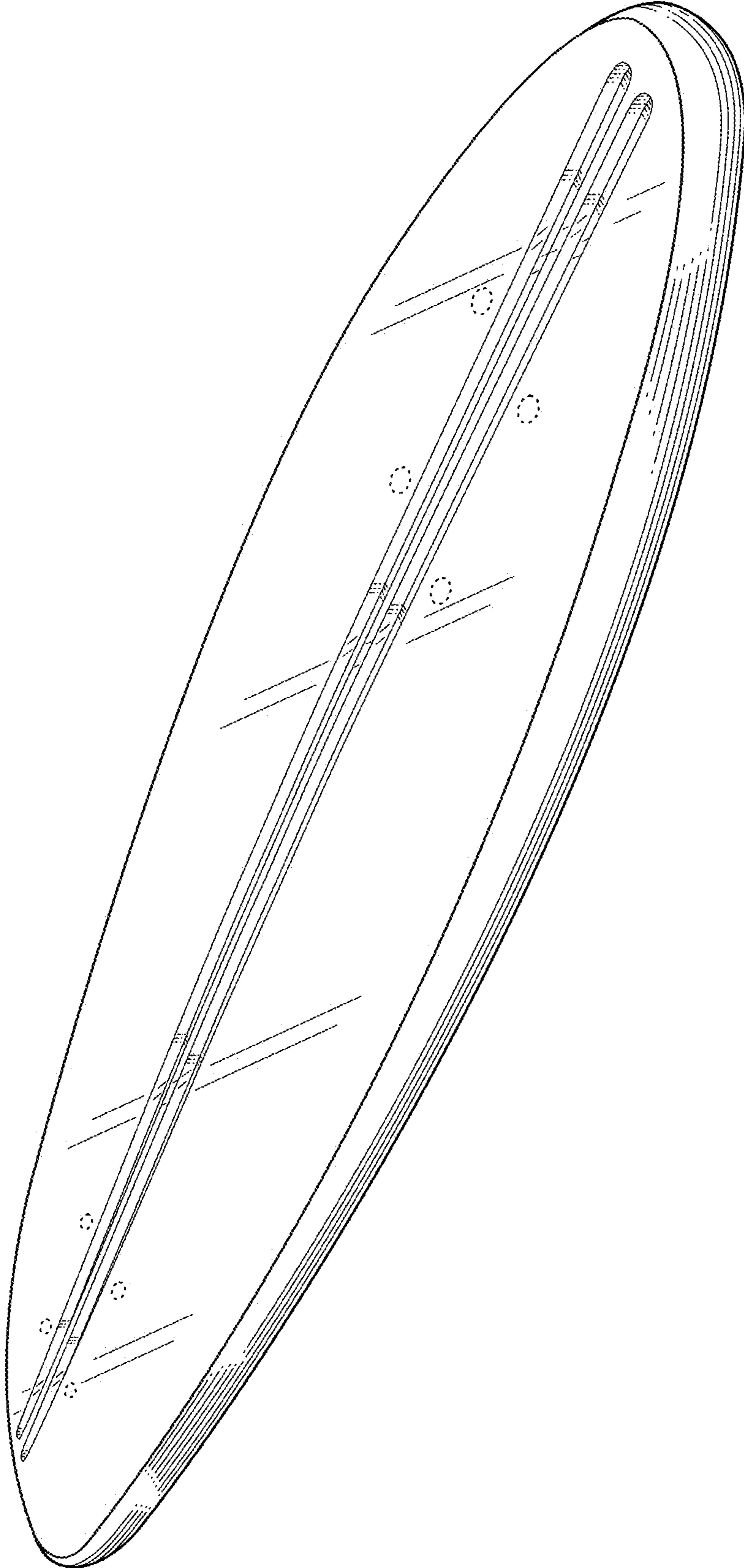


FIG. 7

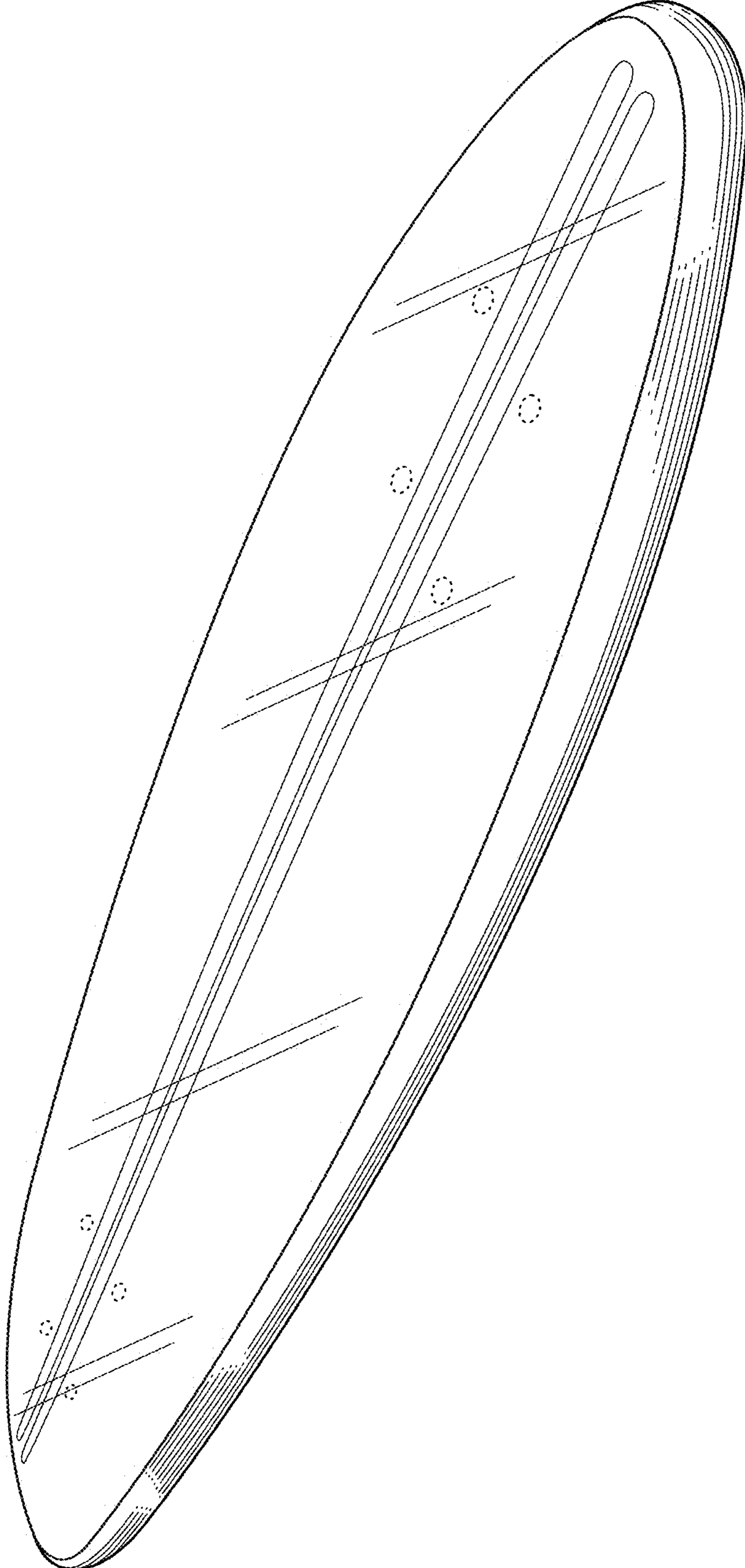


FIG. 8

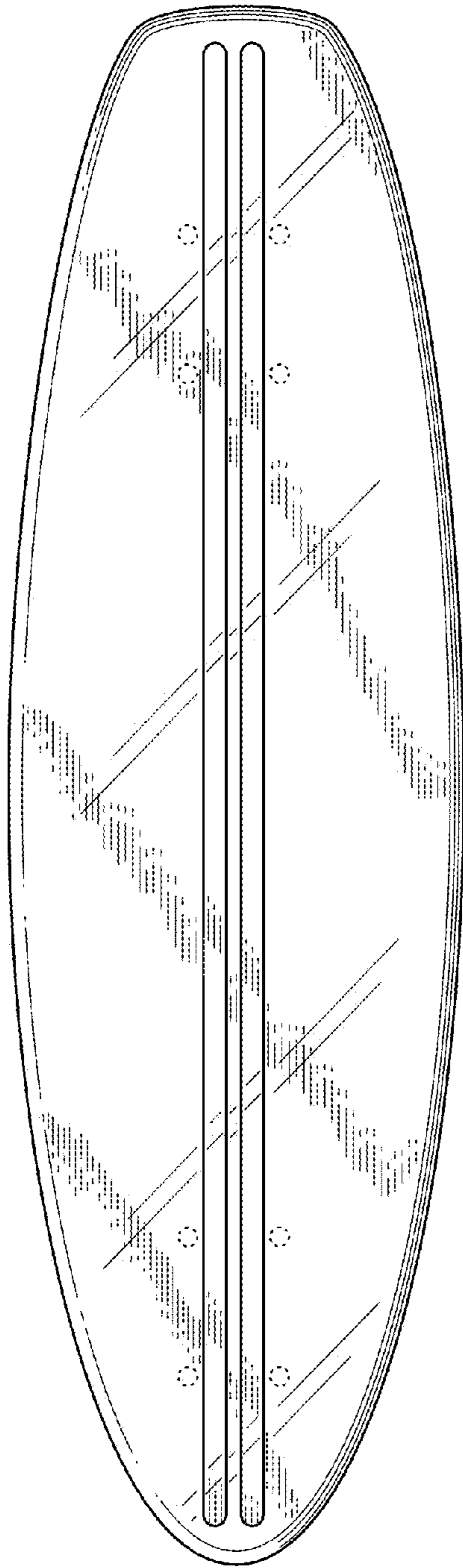


FIG. 9

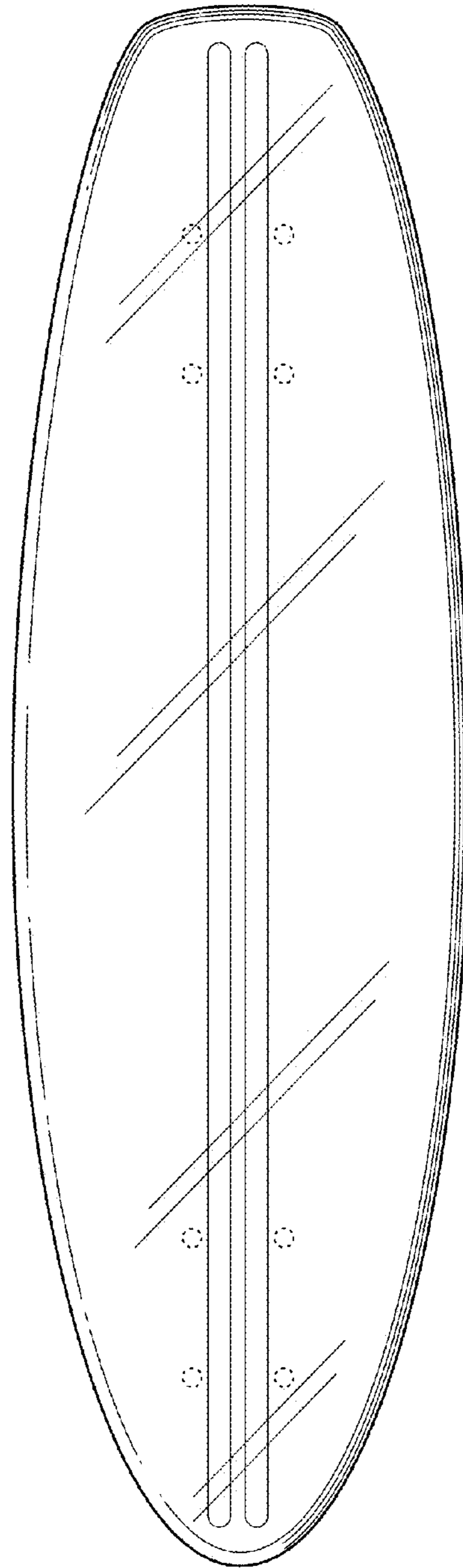


FIG. 10



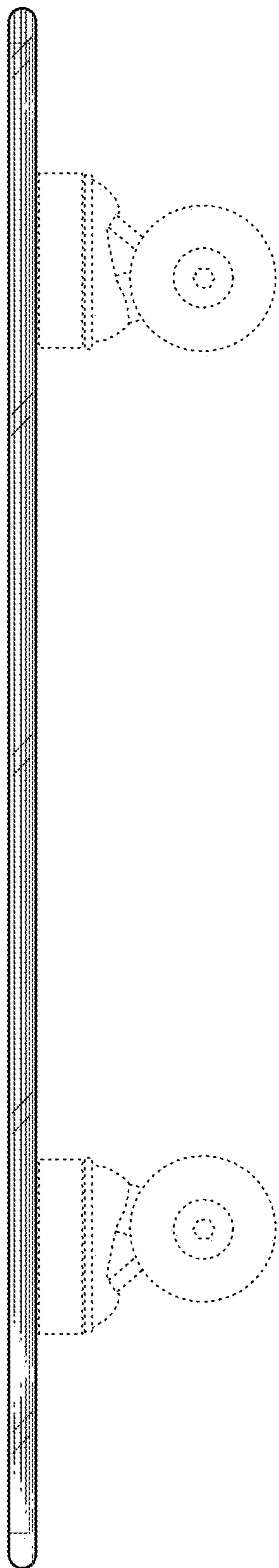


FIG. 11



FIG. 12



FIG. 13