



US00D684230S

(12) **United States Design Patent**
Roberts et al.

(10) **Patent No.:** **US D684,230 S**
(45) **Date of Patent:** **** Jun. 11, 2013**

(54) **GOLF CLUB HEAD**

(75) Inventors: **Douglas E. Roberts**, Carlsbad, CA (US);
Oswaldo Gonzalez, San Jacinto, CA
(US); **Austin B. Oliveiro**, San Marcos,
CA (US); **Karl A. Clausen**, Carlsbad,
CA (US); **David Morelock**, San
Clemente, CA (US)

(73) Assignee: **Cobra Golf Incorporated**, Carlsbad,
CA (US)

(**) Term: **14 Years**

(21) Appl. No.: **29/423,534**

(22) Filed: **Jun. 1, 2012**

(51) **LOC (9) Cl.** **21-02**

(52) **U.S. Cl.**
USPC **D21/752**

(58) **Field of Classification Search**
USPC D21/733, 752, 759; 473/324–331,
473/343–346
See application file for complete search history.

(56) **References Cited**

U.S. PATENT DOCUMENTS

D253,778 S *	12/1979	Madison	D21/752
D508,969 S *	8/2005	Hasebe	D21/752
D520,585 S *	5/2006	Hasebe	D21/752
D523,104 S *	6/2006	Hasebe	D21/752
D572,787 S *	7/2008	Sanchez et al.	D21/759
D573,217 S *	7/2008	Sanchez et al.	D21/759
D573,218 S *	7/2008	Sanchez et al.	D21/759

D618,294 S *	6/2010	Morris et al.	D21/752
D618,749 S *	6/2010	Morris et al.	D21/759
D665,472 S *	8/2012	McDonnell et al.	D21/759
D667,068 S *	9/2012	Loudenslager	D21/759

* cited by examiner

Primary Examiner — Mitchell Siegel

(74) *Attorney, Agent, or Firm* — Mark S. Leonardo; Brown
Rudnick LLP

(57) **CLAIM**

The ornamental design for a golf club head, as shown and
described.

DESCRIPTION

FIG. 1 illustrates a top side perspective view of a golf club
head employing an ornamental design in accordance with the
present invention;

FIG. 2 illustrates a bottom side perspective view of the golf
club head of FIG. 1;

FIG. 3 illustrates a top side view of the golf club head of FIG.
1;

FIG. 4 illustrates a bottom side view of the golf club head of
FIG. 1;

FIG. 5 illustrates a front side view of the golf club head of
FIG. 1;

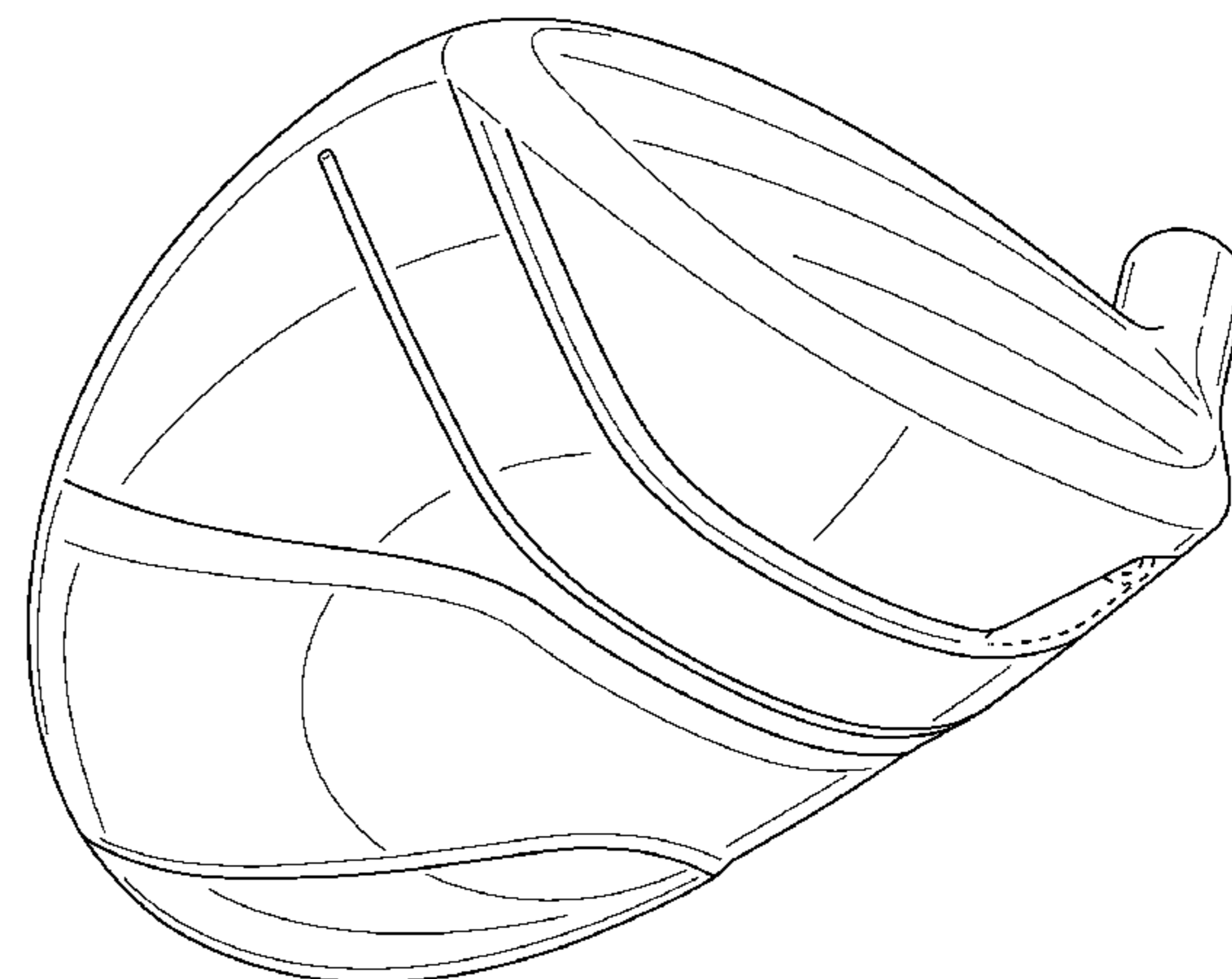
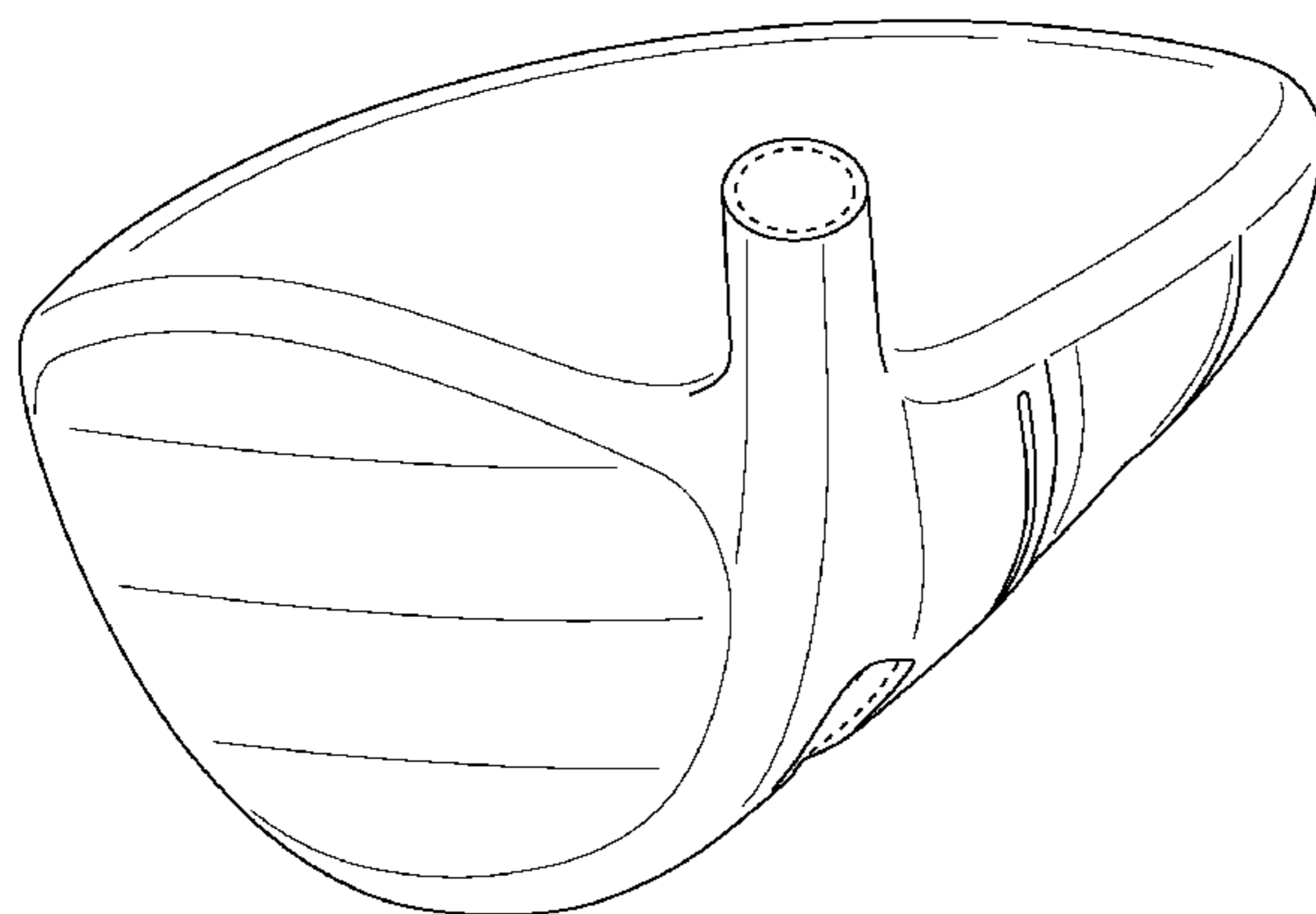
FIG. 6 illustrates a back side view of the golf club head of
FIG. 1;

FIG. 7 illustrates a left side view of the golf club head of FIG.
1; and,

FIG. 8 illustrates a right side view of the golf club head of
FIG. 1.

All features illustrated in phantom line are expressly dis-
claimed and form no part of the claimed design.

1 Claim, 6 Drawing Sheets



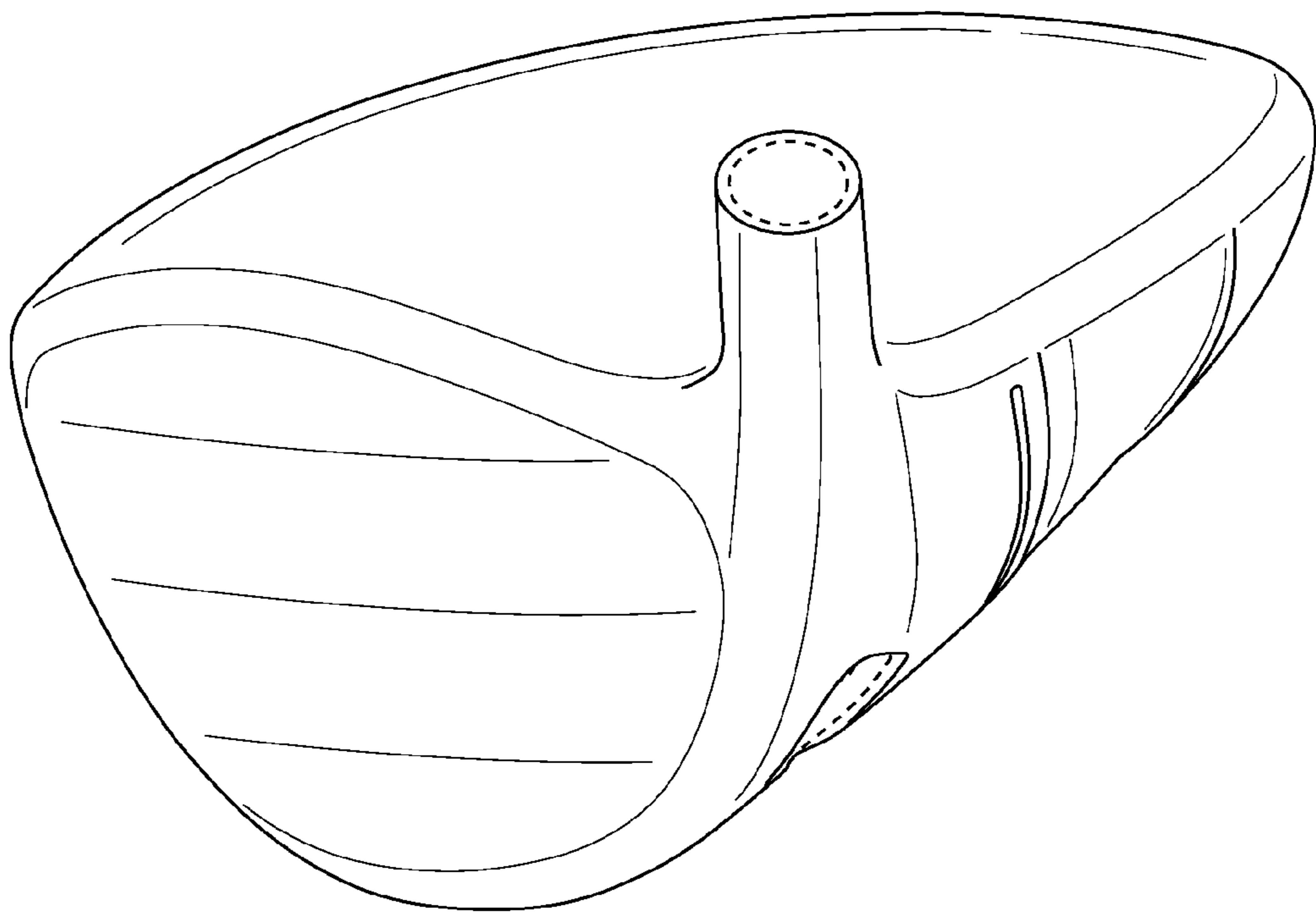


FIG.1

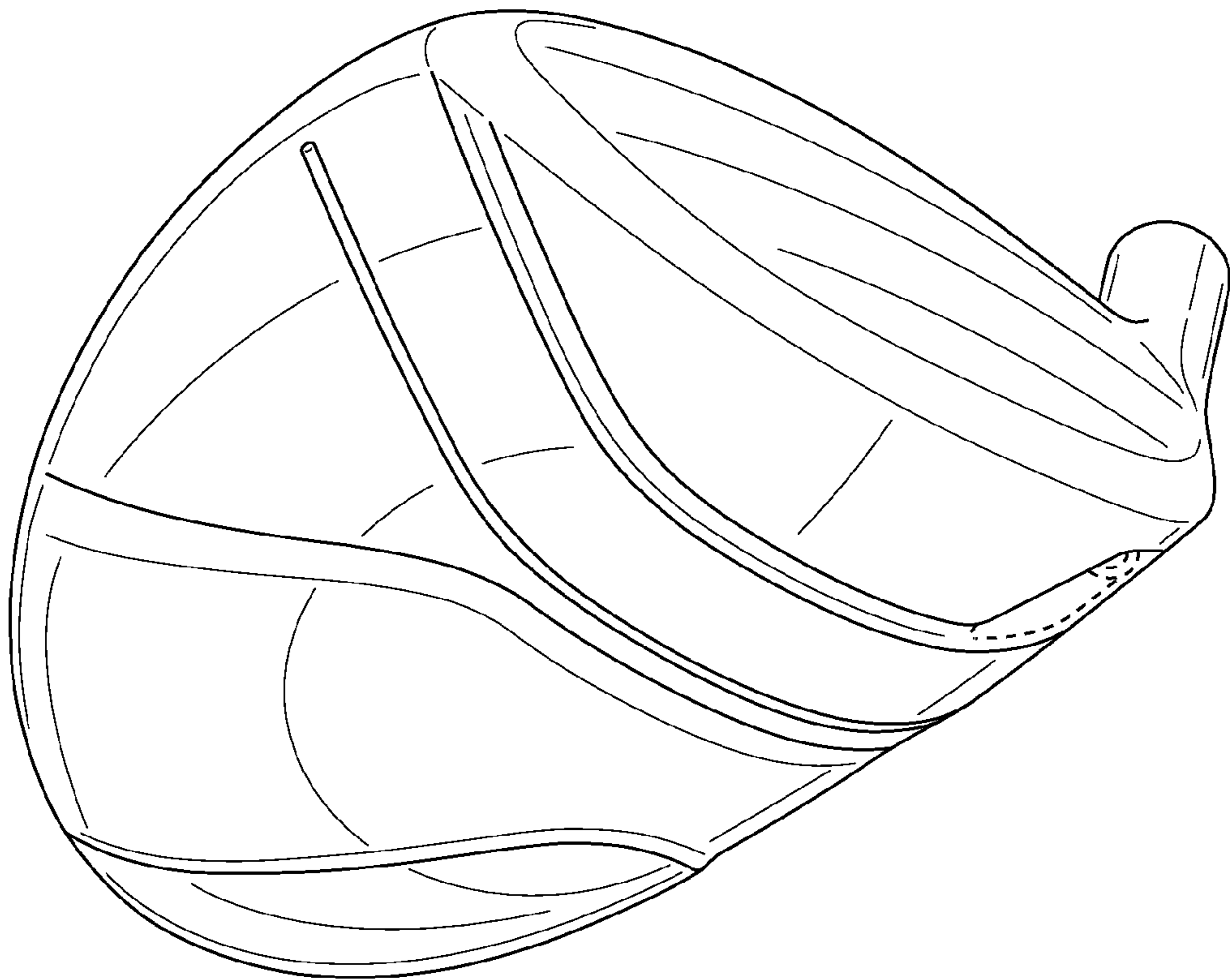


FIG.2

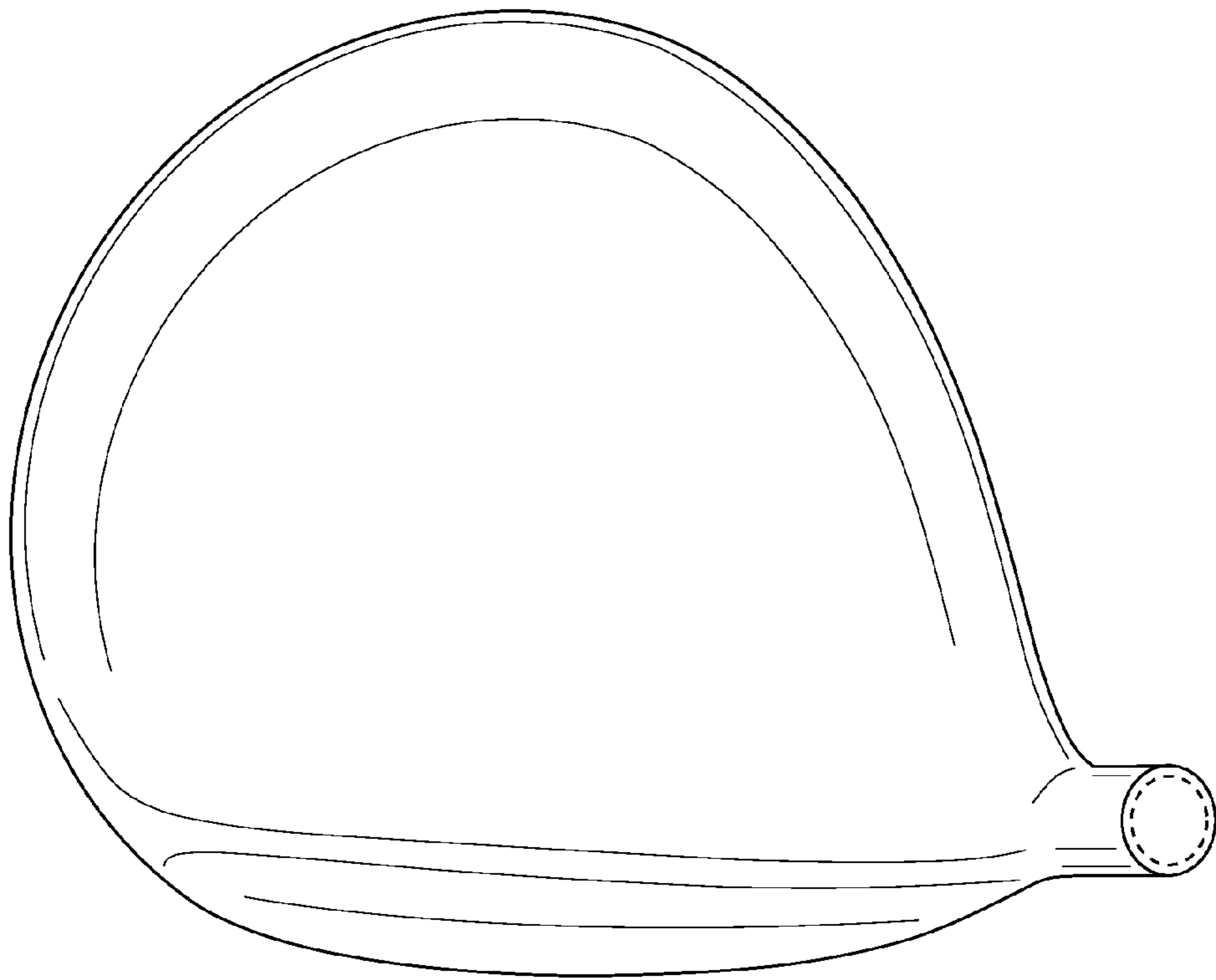


FIG.3

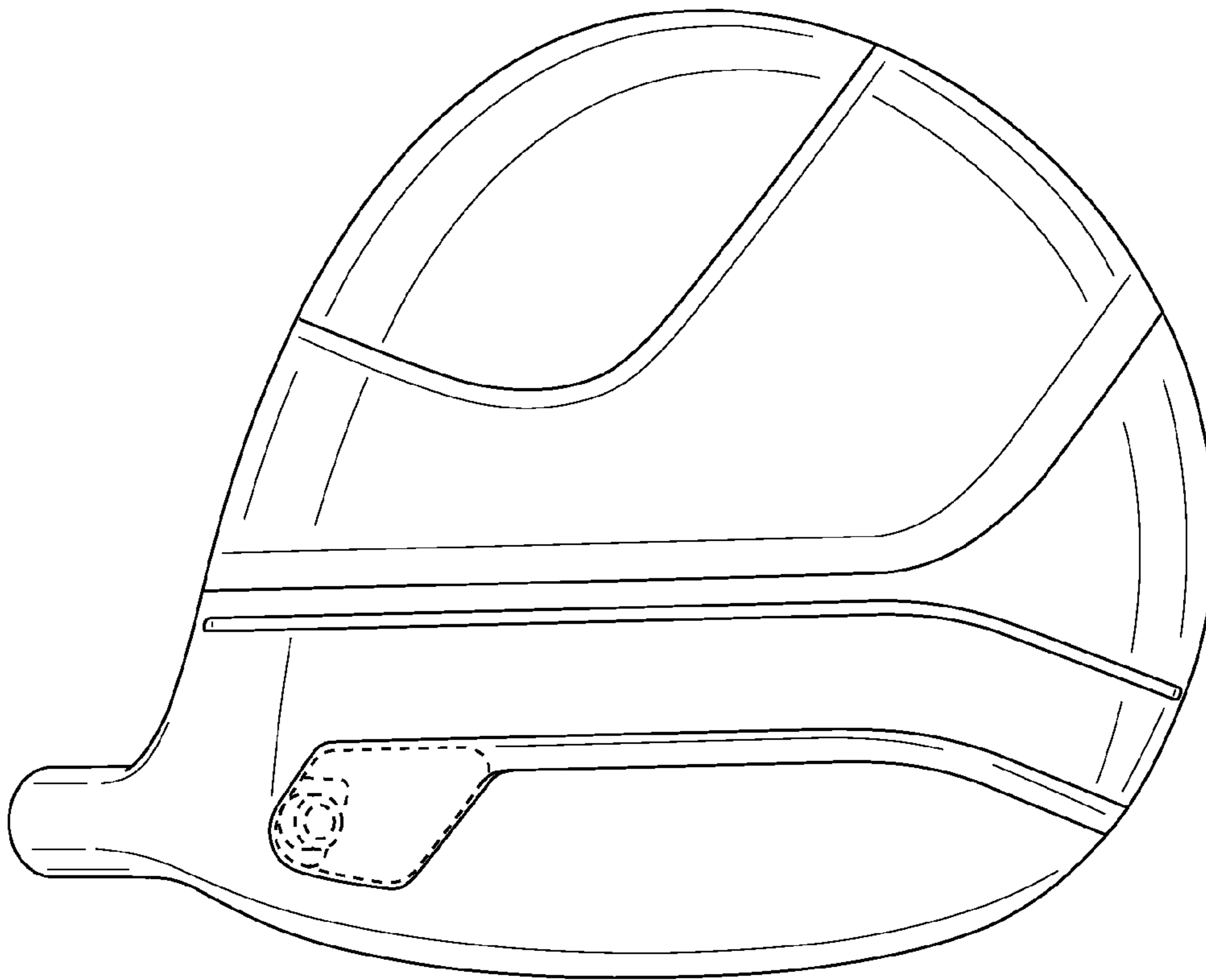


FIG. 4

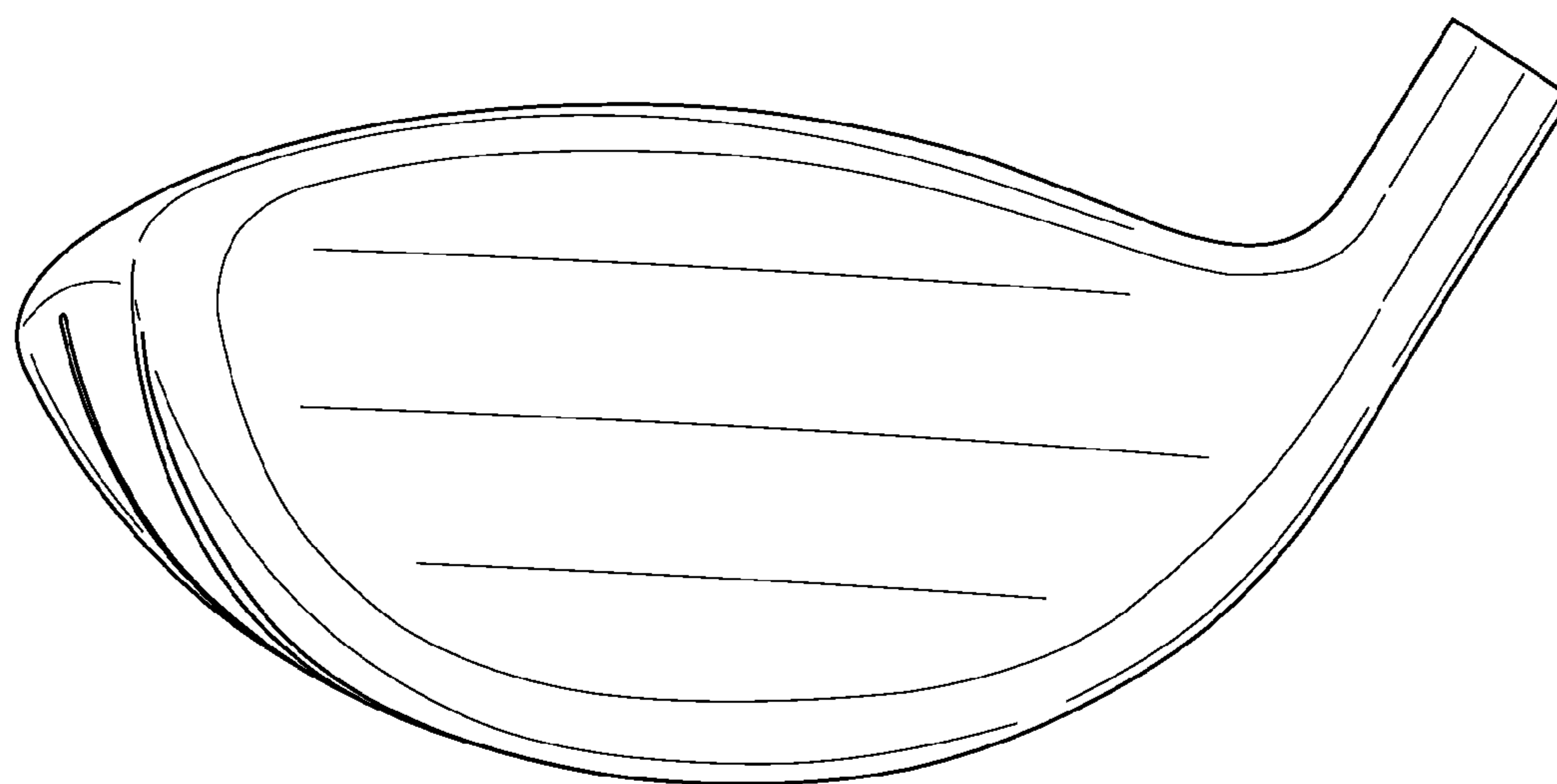


FIG. 5

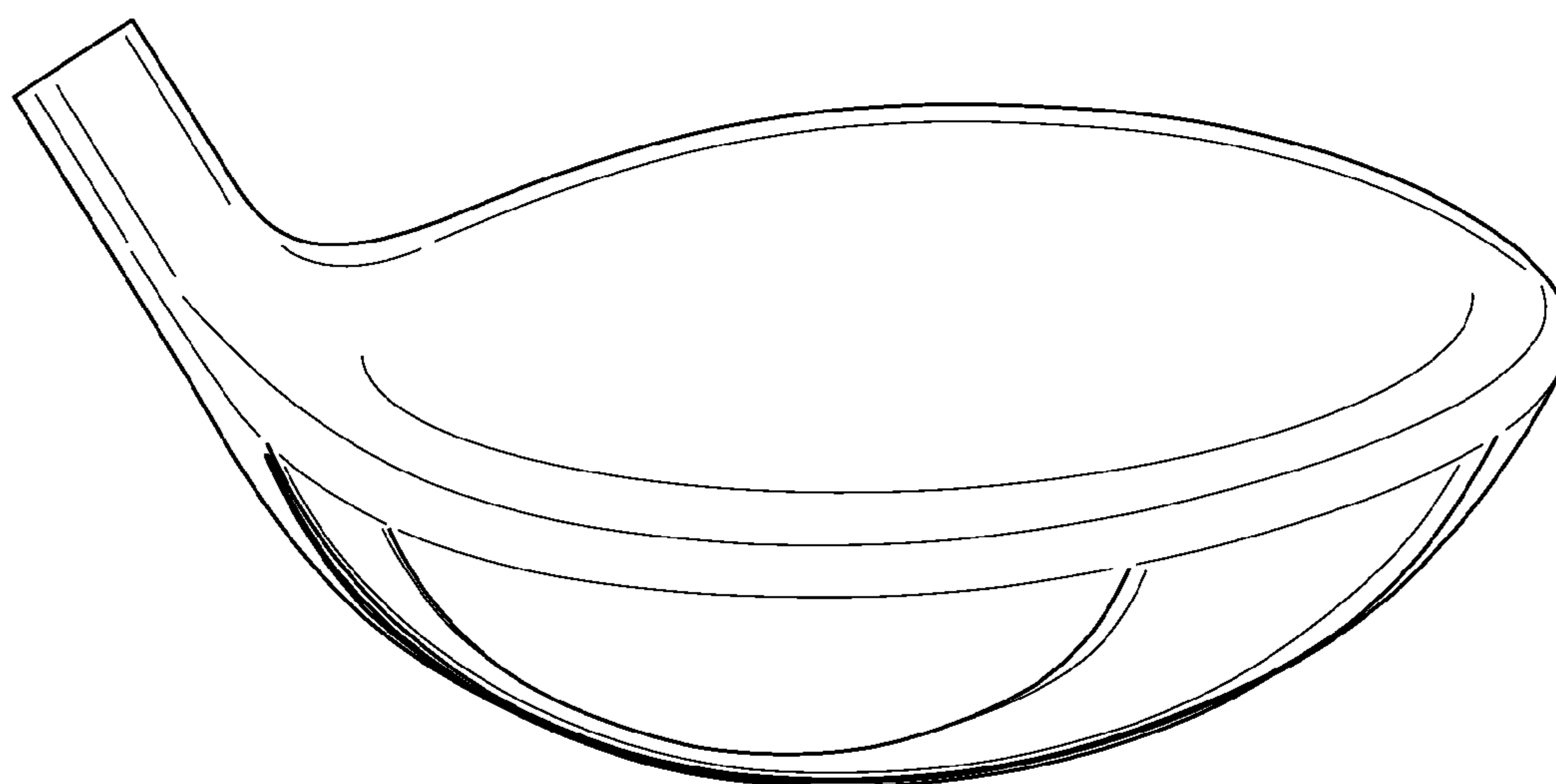


FIG. 6

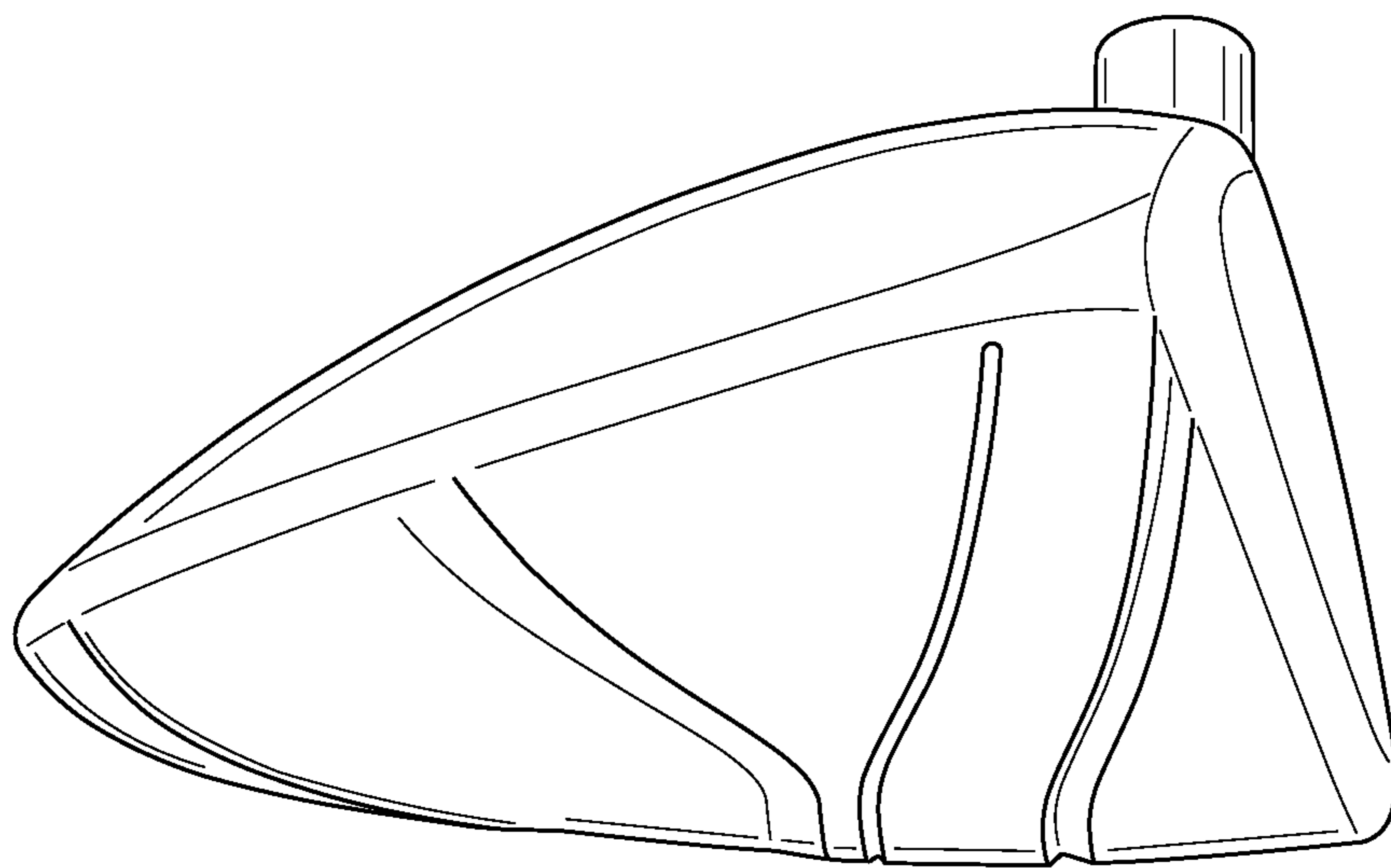


FIG. 7

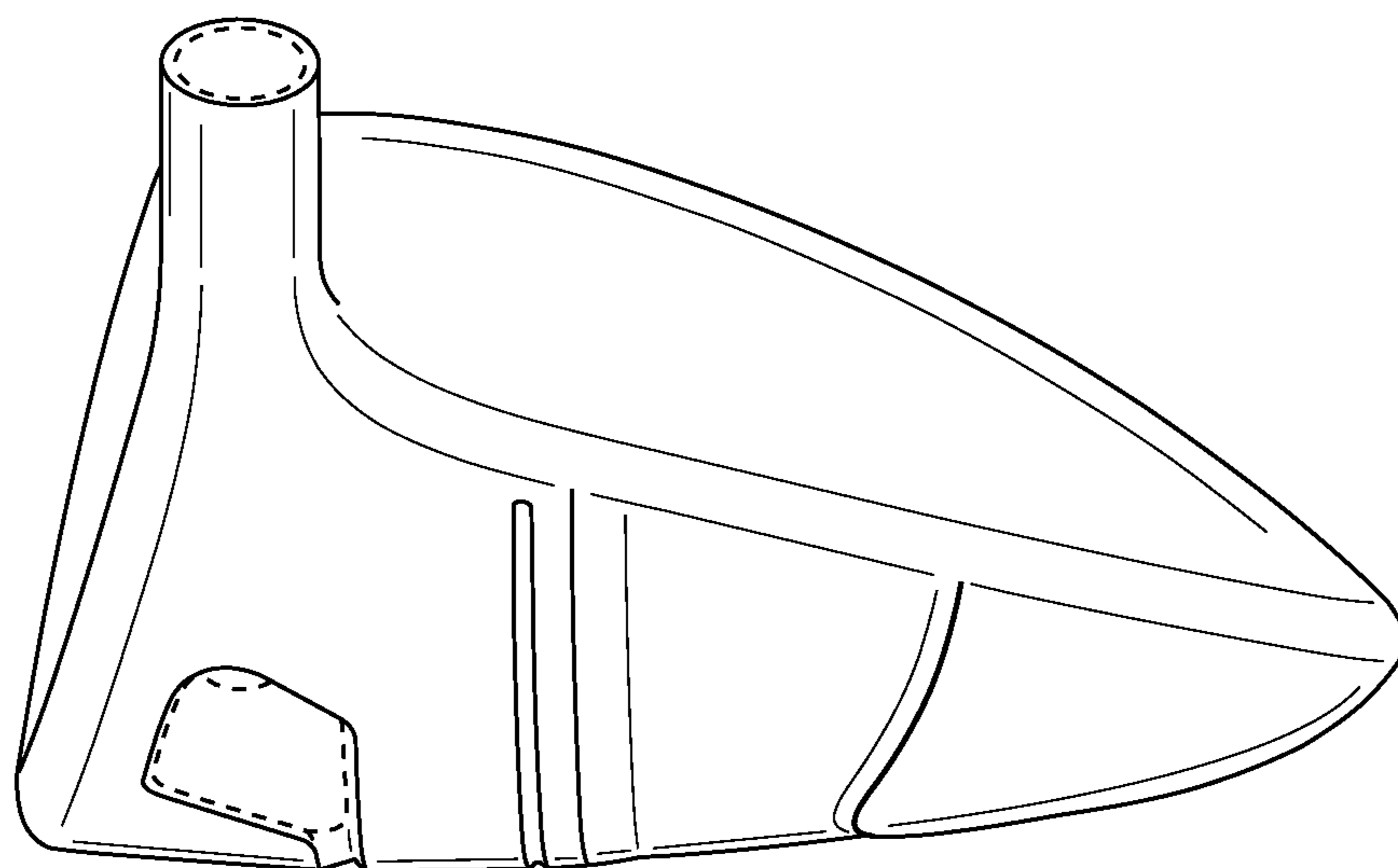


FIG. 8