



US00D684228S

(12) **United States Design Patent**
Breier et al.

(10) **Patent No.:** **US D684,228 S**

(45) **Date of Patent:** **** Jun. 11, 2013**

(54) **GOLF CLUB HEAD**

(75) Inventors: **Joshua G. Breier**, Vista, CA (US); **Ryan L. Roach**, Carlsbad, CA (US); **Lauren Wilson**, Carlsbad, CA (US); **Austin B. Oliveiro**, San Marcos, CA (US); **Thomas W. Preece**, San Diego, CA (US); **Douglas E. Roberts**, Carlsbad, CA (US); **Nelson Wah**, Fullerton, CA (US); **David Morelock**, San Clemente, CA (US)

(73) Assignee: **Cobra Golf Incorporated**, Carlsbad, CA (US)

(**) Term: **14 Years**

(21) Appl. No.: **29/423,541**

(22) Filed: **Jun. 1, 2012**

(51) **LOC (9) Cl.** **21-02**

(52) **U.S. Cl.**
USPC **D21/749**

(58) **Field of Classification Search**
USPC D21/747-751, 759; 473/324-331, 473/350

See application file for complete search history.

(56) **References Cited**

U.S. PATENT DOCUMENTS

D505,466 S *	5/2005	Lang et al.	D21/749
D510,115 S *	9/2005	Lang et al.	D21/749
D518,539 S *	4/2006	Cleveland et al.	D21/748
D591,808 S *	5/2009	Clausen et al.	D21/747
D591,819 S *	5/2009	Bosilkovski et al.	D21/759
D597,616 S *	8/2009	Ines et al.	D21/747
D622,336 S *	8/2010	Kohno	D21/747

D639,881 S *	6/2011	Breier et al.	D21/747
D639,884 S *	6/2011	Breier et al.	D21/759
D643,081 S *	8/2011	Roach et al.	D21/759
D659,214 S *	5/2012	Oldknow et al.	D21/759
D669,947 S *	10/2012	Kim et al.	D21/747

* cited by examiner

Primary Examiner — Mitchell Siegel

(74) *Attorney, Agent, or Firm* — Mark S. Leonardo; Brown Rudnick LLP

(57) **CLAIM**

The ornamental design for a golf club head, as shown and described.

DESCRIPTION

FIG. 1 illustrates a front side perspective view of a golf club head employing an ornamental design in accordance with the present invention;

FIG. 2 illustrates a back side perspective view of the golf club head of FIG. 1;

FIG. 3 illustrates a top side view of the golf club head of FIG. 1;

FIG. 4 illustrates a bottom side view of the golf club head of FIG. 1;

FIG. 5 illustrates a front side view of the golf club head of FIG. 1;

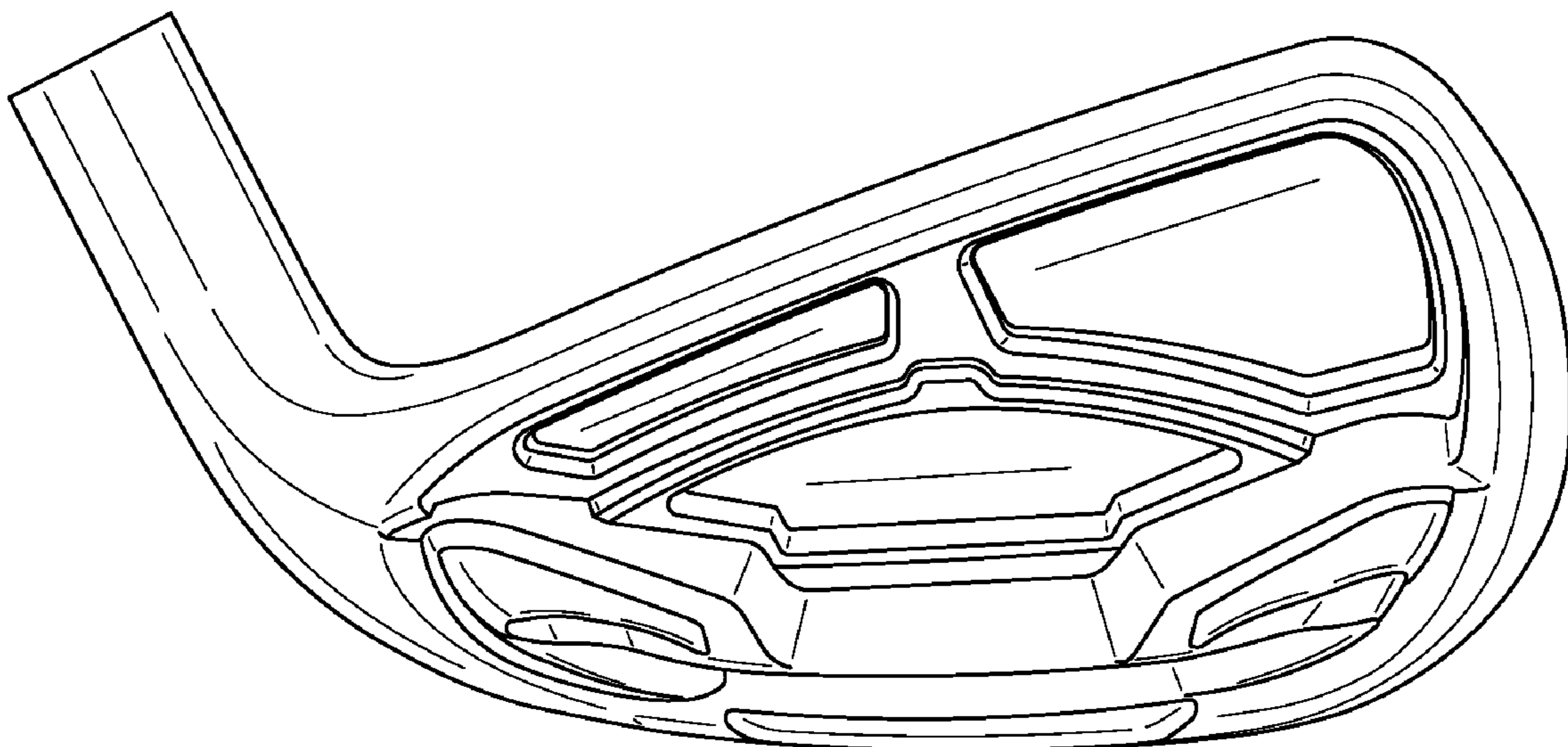
FIG. 6 illustrates a back side view of the golf club head of FIG. 1;

FIG. 7 illustrates a left side view of the golf club head of FIG. 1; and,

FIG. 8 illustrates a right side view of the golf club head of FIG. 1.

All features illustrated in phantom line are expressly disclaimed and form no part of the claimed design.

1 Claim, 6 Drawing Sheets



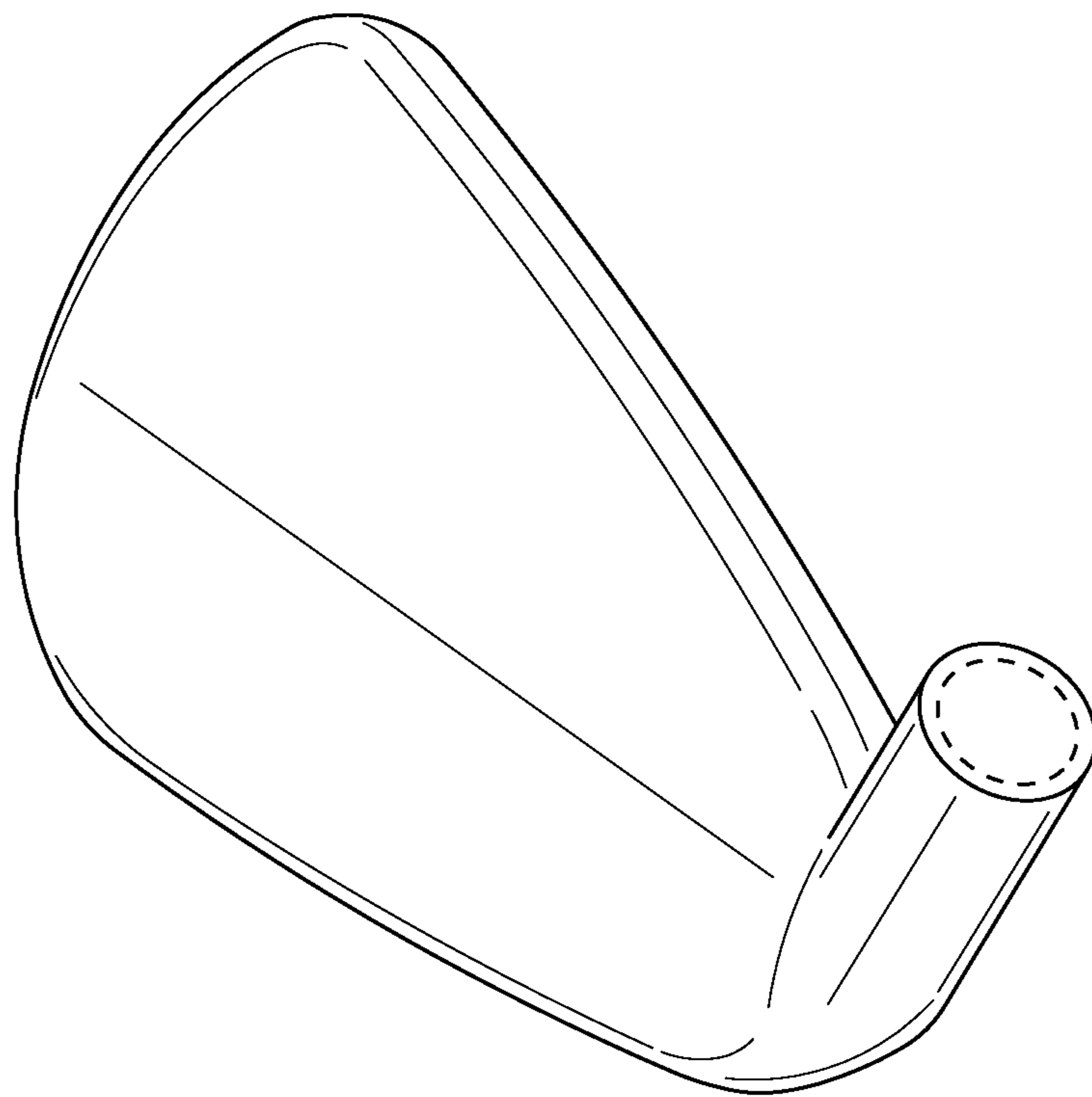


FIG.1

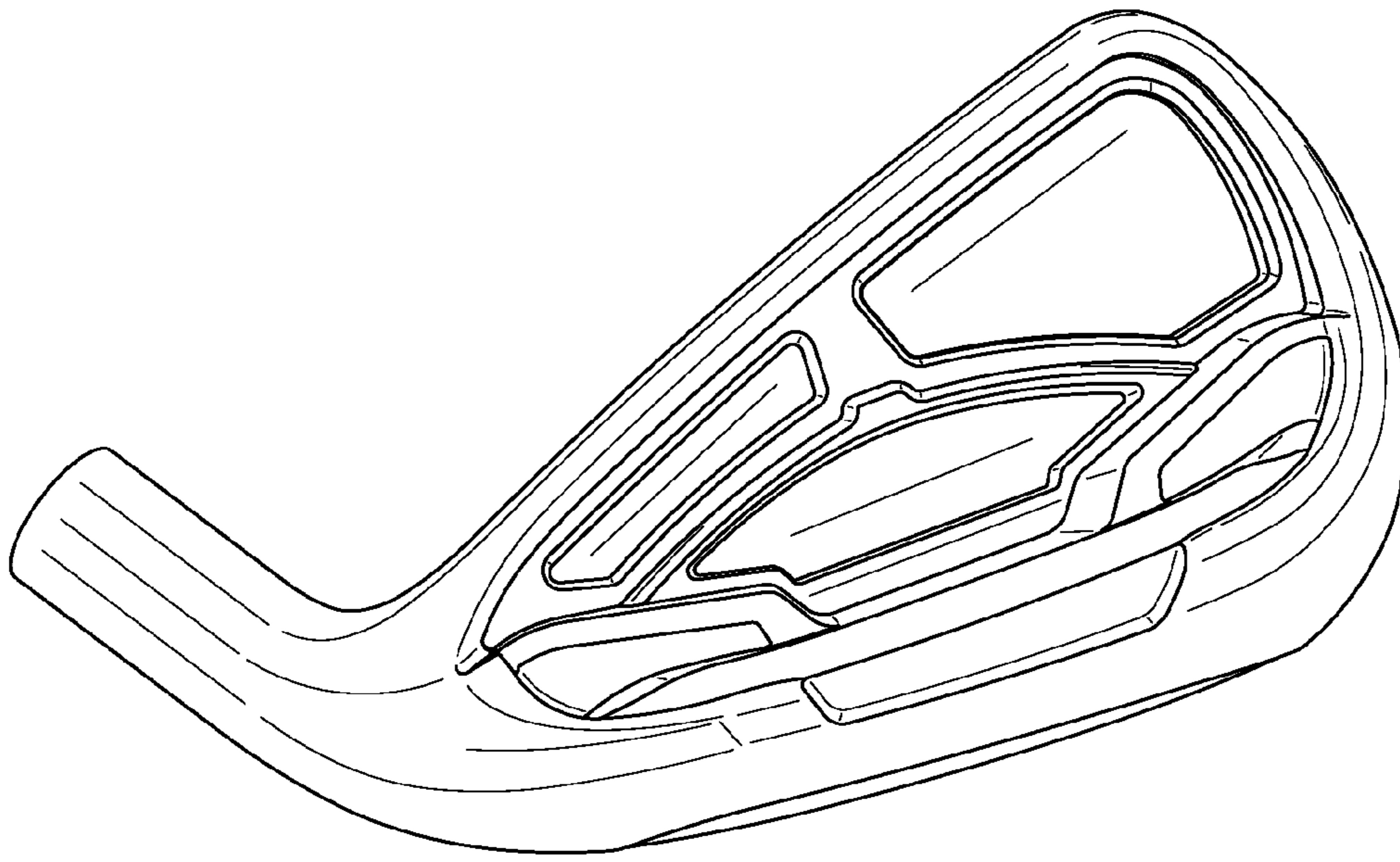


FIG.2

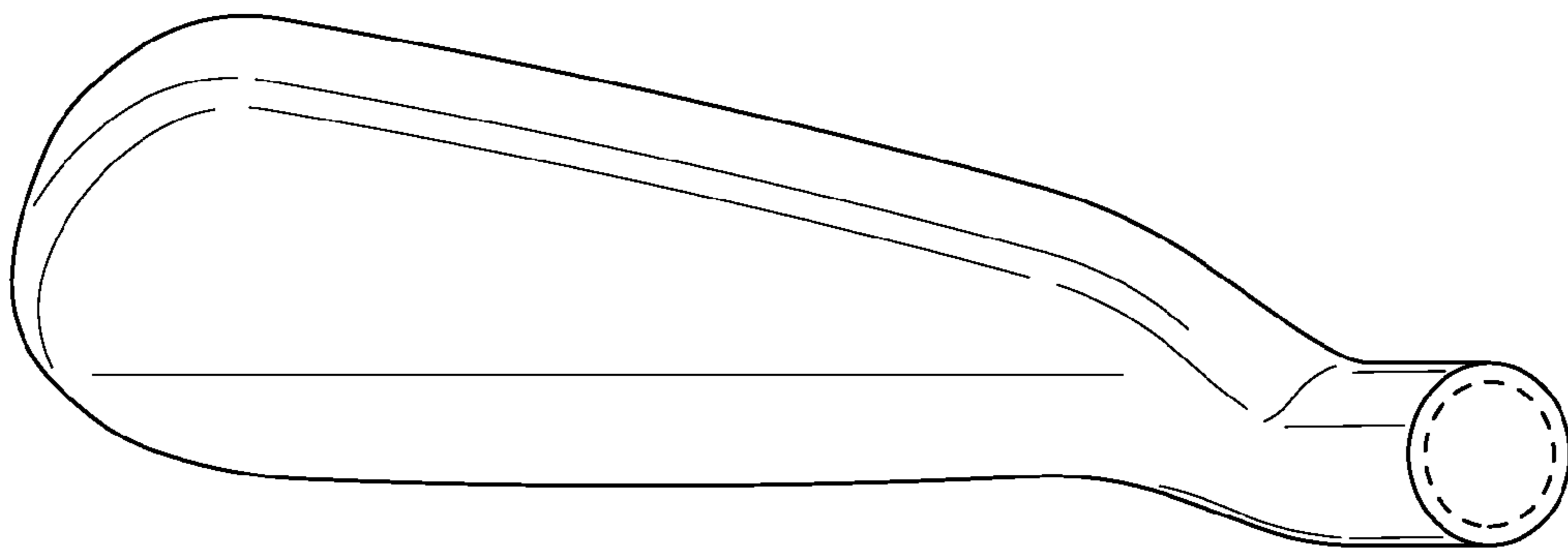


FIG.3

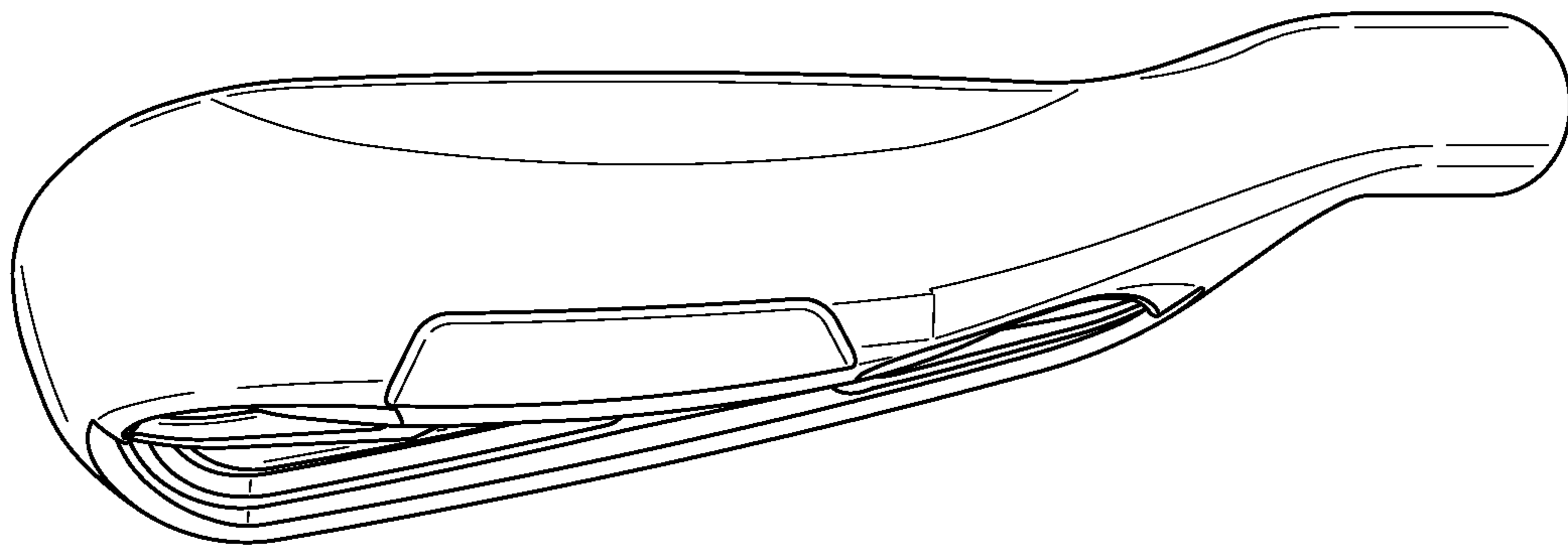


FIG. 4

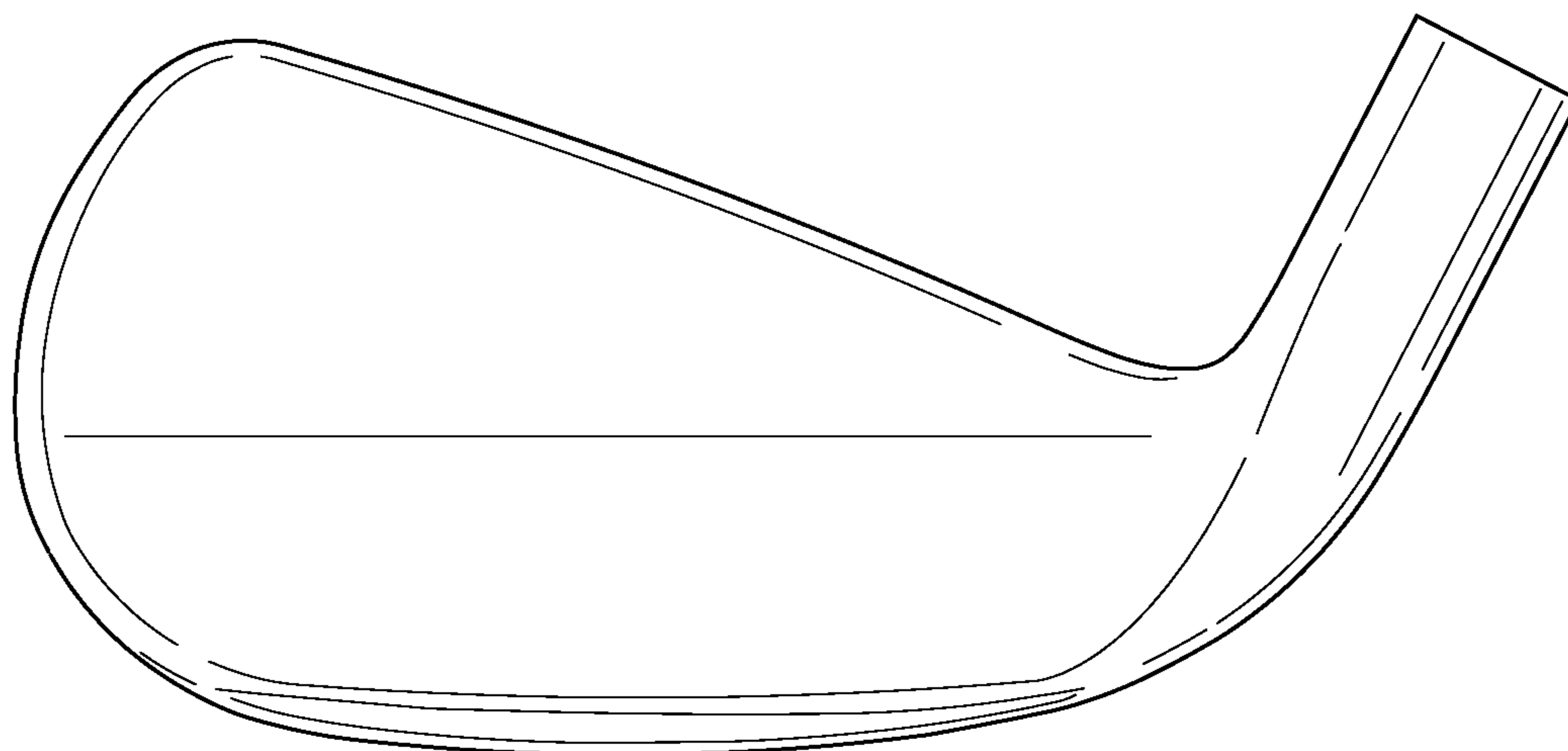


FIG. 5

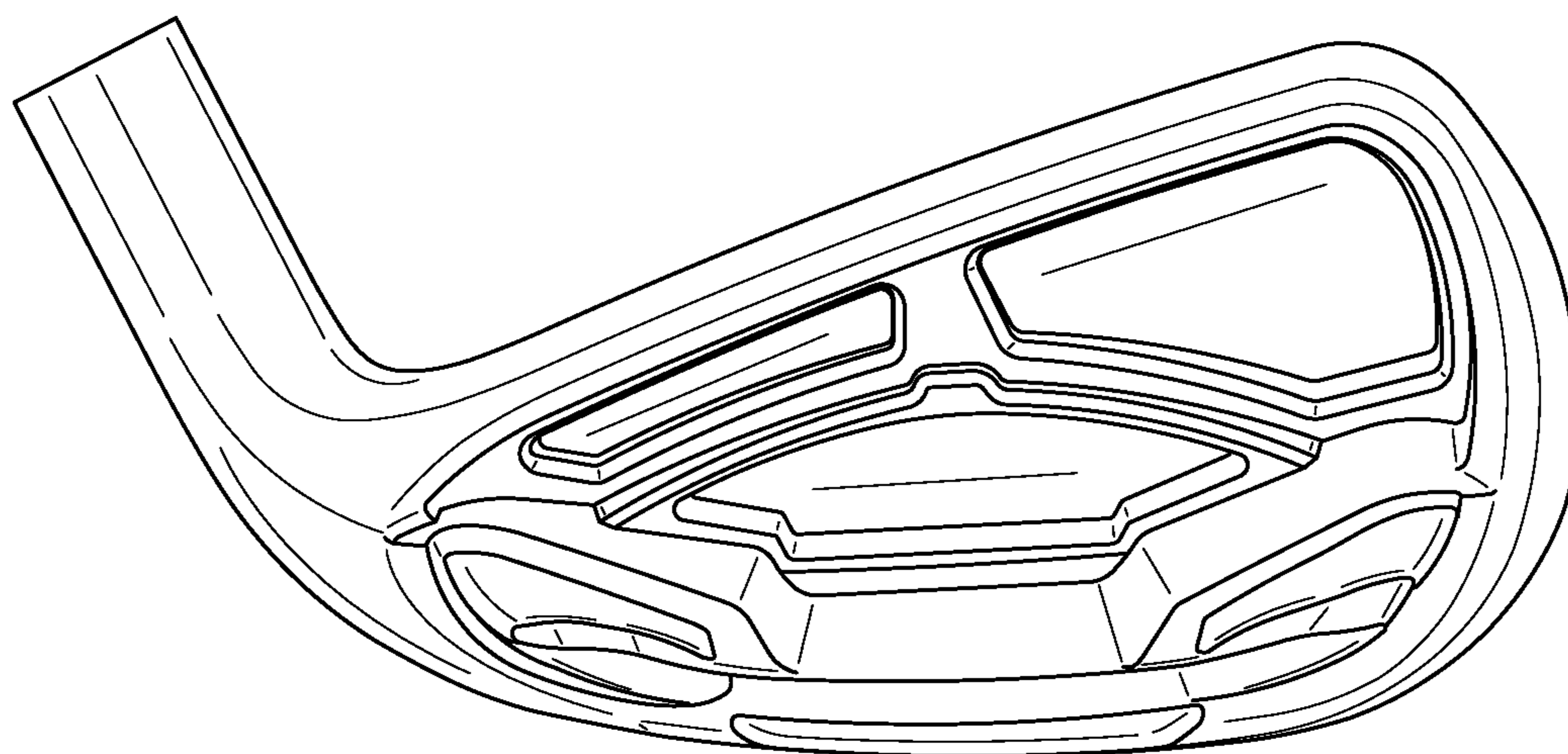


FIG. 6

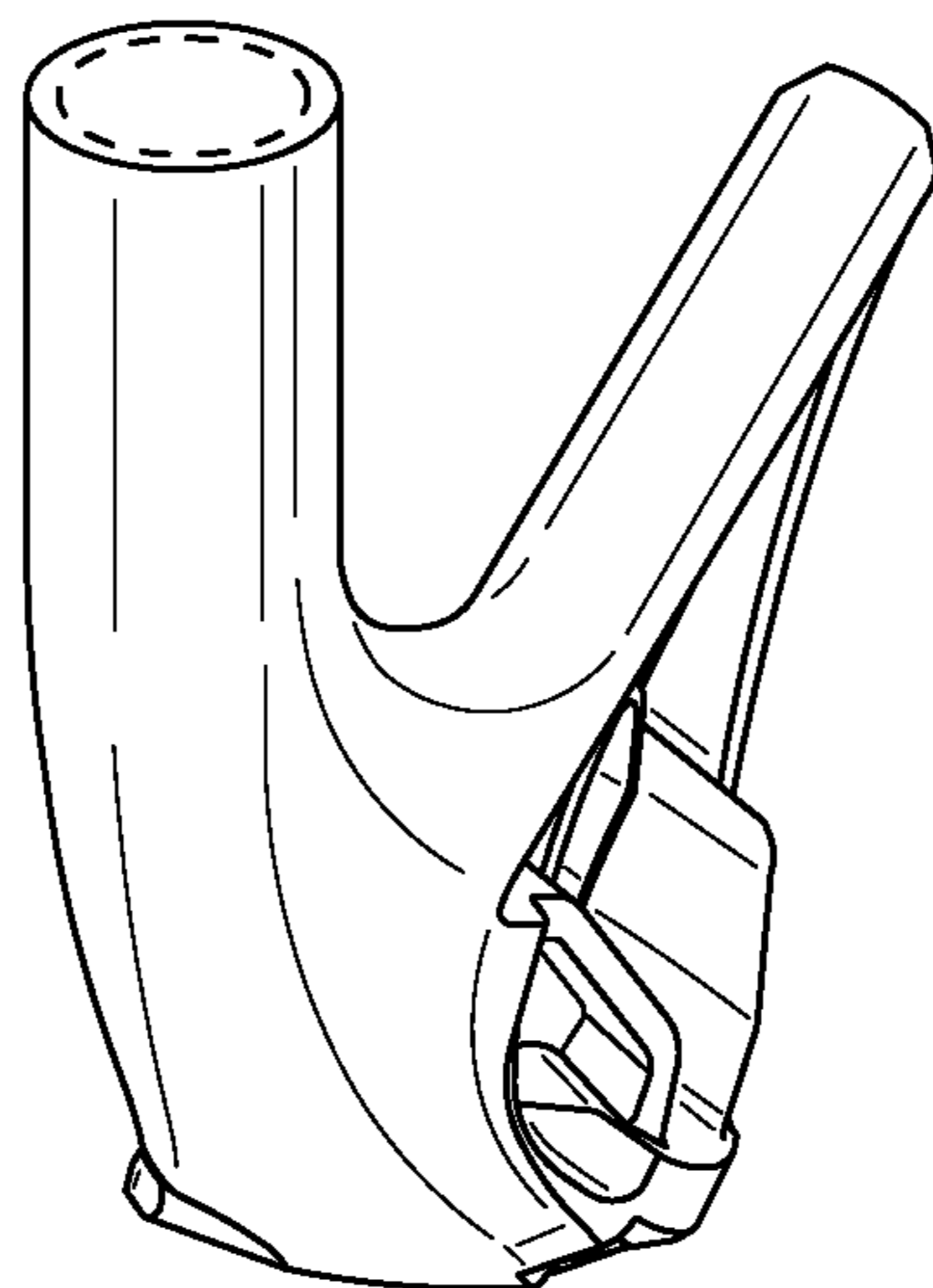


FIG. 7

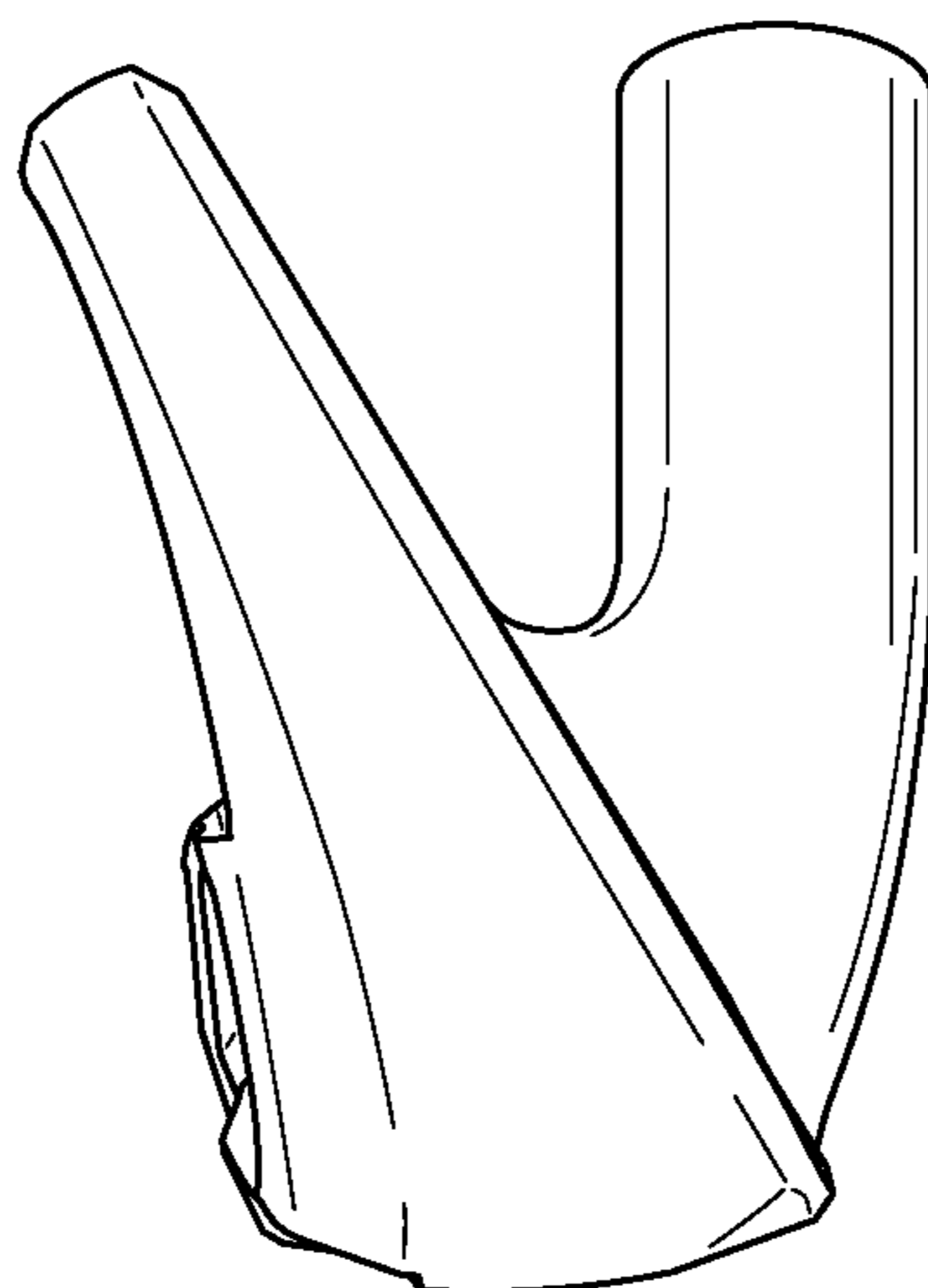


FIG. 8