



US00D684226S

(12) **United States Design Patent**
David

(10) **Patent No.:** **US D684,226 S**

(45) **Date of Patent:** **** Jun. 11, 2013**

(54) **GOLF PUTTER**

(75) Inventor: **Tom David**, Nantucket, MA (US)

(73) Assignee: **Tom David, Inc.**, Nantucket, MA (US)

(**) Term: **14 Years**

(21) Appl. No.: **29/420,964**

(22) Filed: **May 15, 2012**

(51) **LOC (9) Cl.** **21-02**

(52) **U.S. Cl.**
USPC **D21/743**

(58) **Field of Classification Search**
USPC D21/736-746; 473/324-331, 340-341,
473/251-256
See application file for complete search history.

(56) **References Cited**

U.S. PATENT DOCUMENTS

| | | | | | | |
|-----------|---|---|---------|-----------------|-------|---------|
| 5,273,282 | A | * | 12/1993 | Cannon | | 473/340 |
| D380,513 | S | * | 7/1997 | Noda | | D21/736 |
| D405,136 | S | * | 2/1999 | Behling | | D21/736 |
| D457,210 | S | * | 5/2002 | Noda | | D21/736 |
| D460,990 | S | * | 7/2002 | Jung | | D21/736 |
| D498,804 | S | * | 11/2004 | Chiasson et al. | | D21/738 |
| D657,834 | S | * | 4/2012 | Oldknow et al. | | D21/736 |
| D658,246 | S | * | 4/2012 | Oldknow et al. | | D21/736 |

* cited by examiner

Primary Examiner — Mitchell Siegel

(74) *Attorney, Agent, or Firm* — Venable LLP; Robert Kinberg

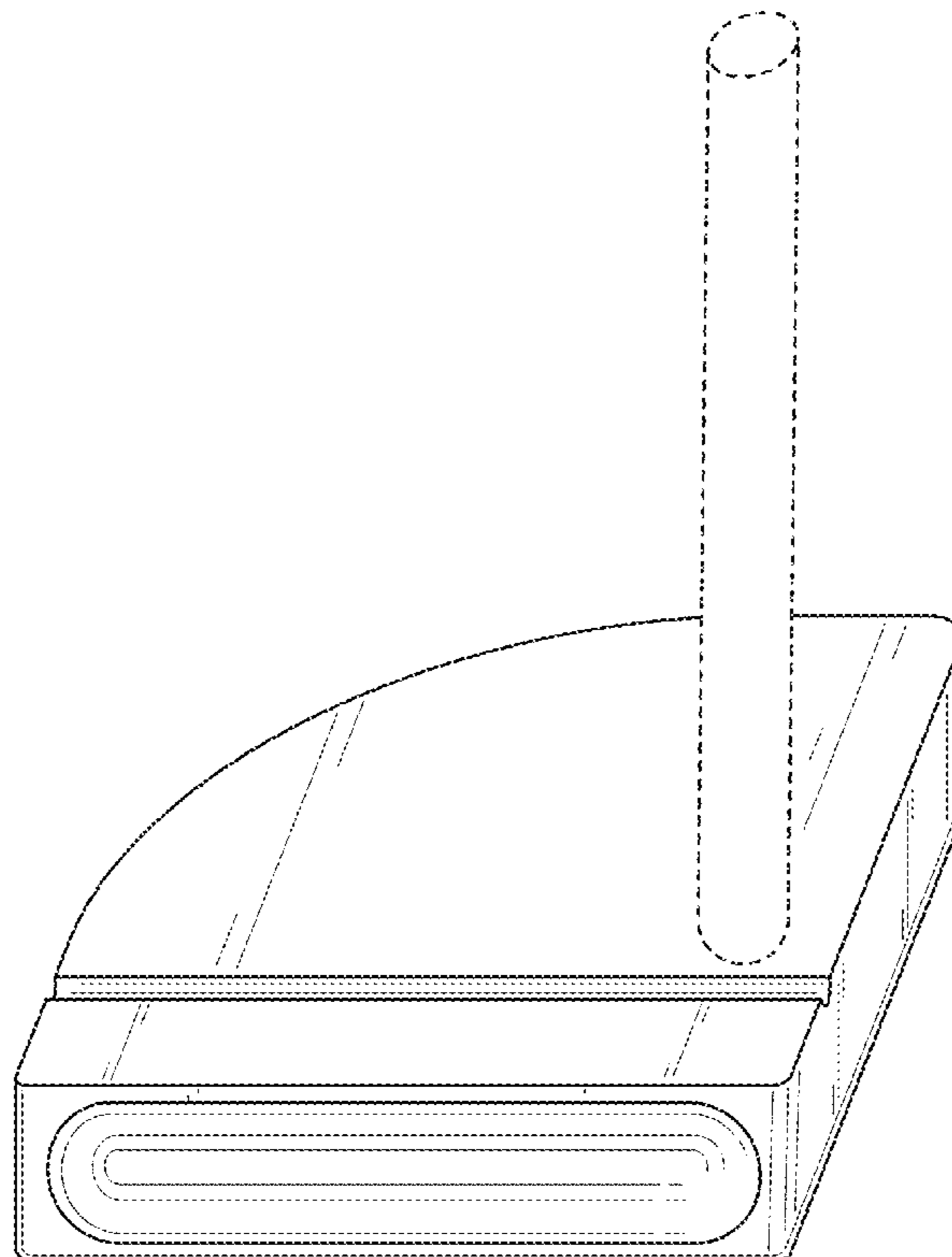
(57) **CLAIM**

The ornamental design for the golf putter, as shown and described.

DESCRIPTION

FIG. 1 is a top-front-right perspective view of a golf putter according to an embodiment of the present invention; FIG. 2 is a front view of the golf putter according to the embodiment of FIG. 1; FIG. 3 is a rear view of the golf putter according to the embodiment of FIG. 1; FIG. 4 is a left side view of the golf putter according to the embodiment of FIG. 1; FIG. 5 is a right side view of the golf putter according to the embodiment of FIG. 1; FIG. 6 is a top view of the golf putter according to the embodiment of FIG. 1; and, FIG. 7 is a bottom view of the golf putter according to the embodiment of FIG. 1. The broken lines in the figures above are for illustrative purposes only and form no part of the claimed design.

1 Claim, 7 Drawing Sheets



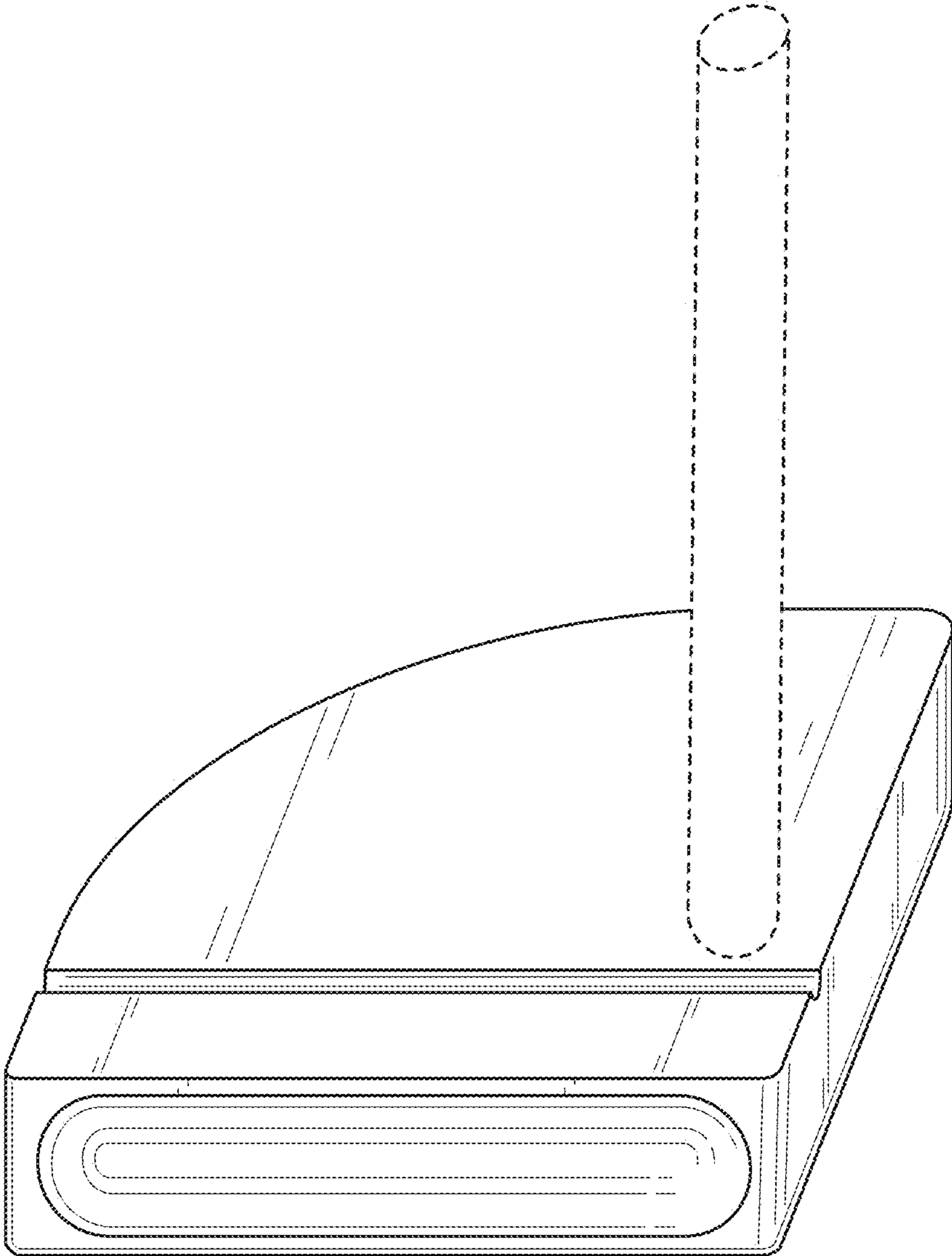


FIG. 1

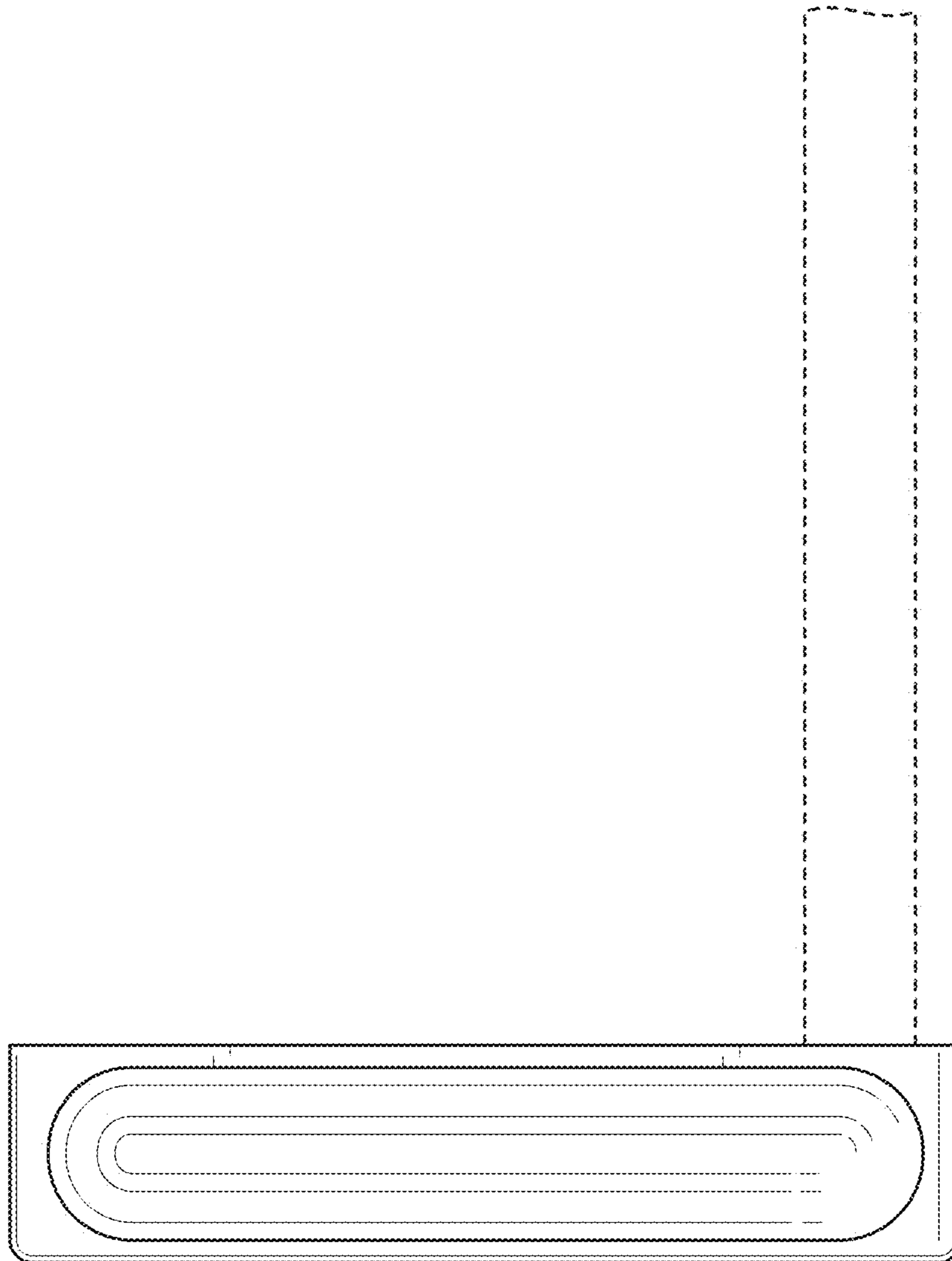


FIG. 2

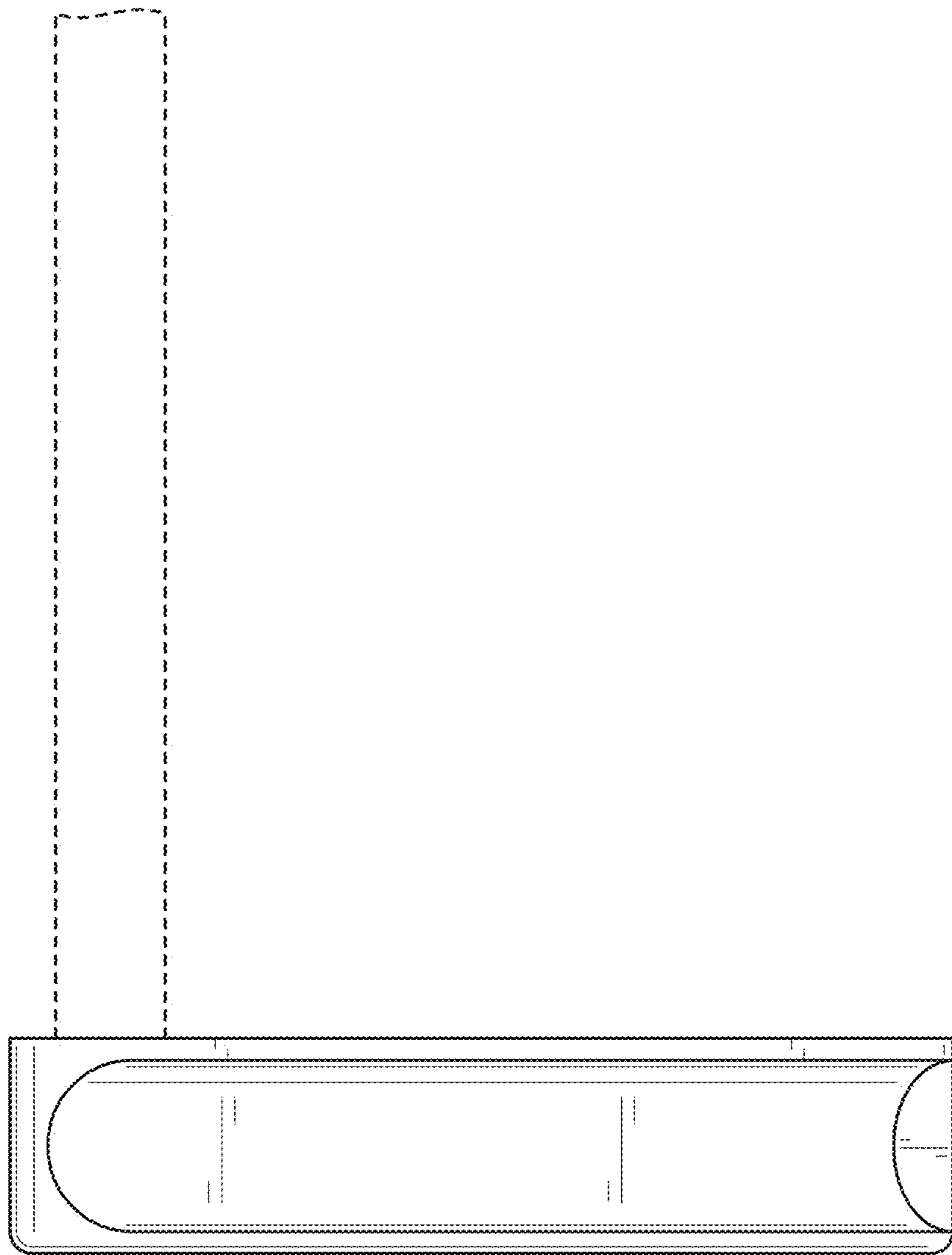


FIG. 3

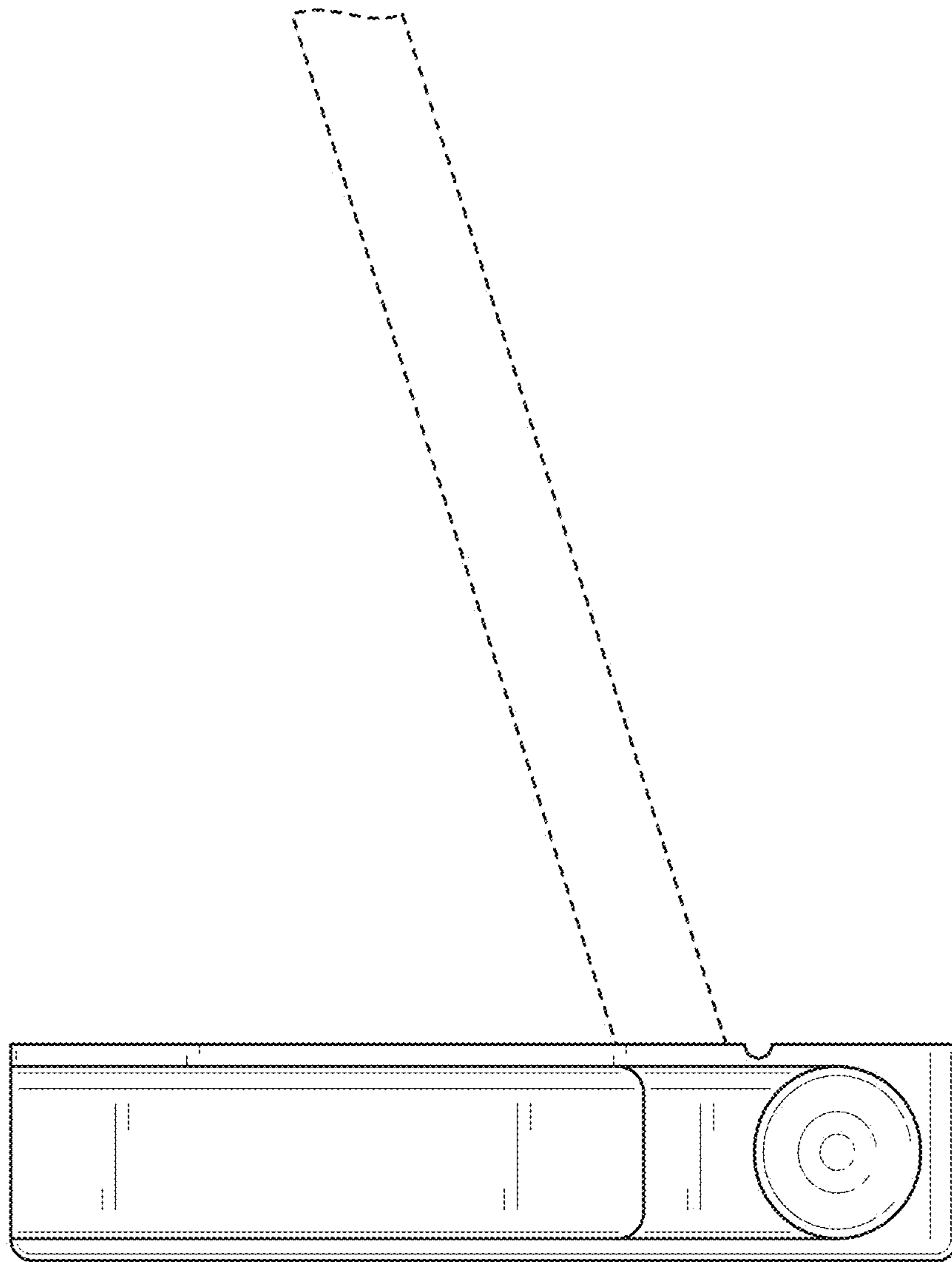


FIG. 4

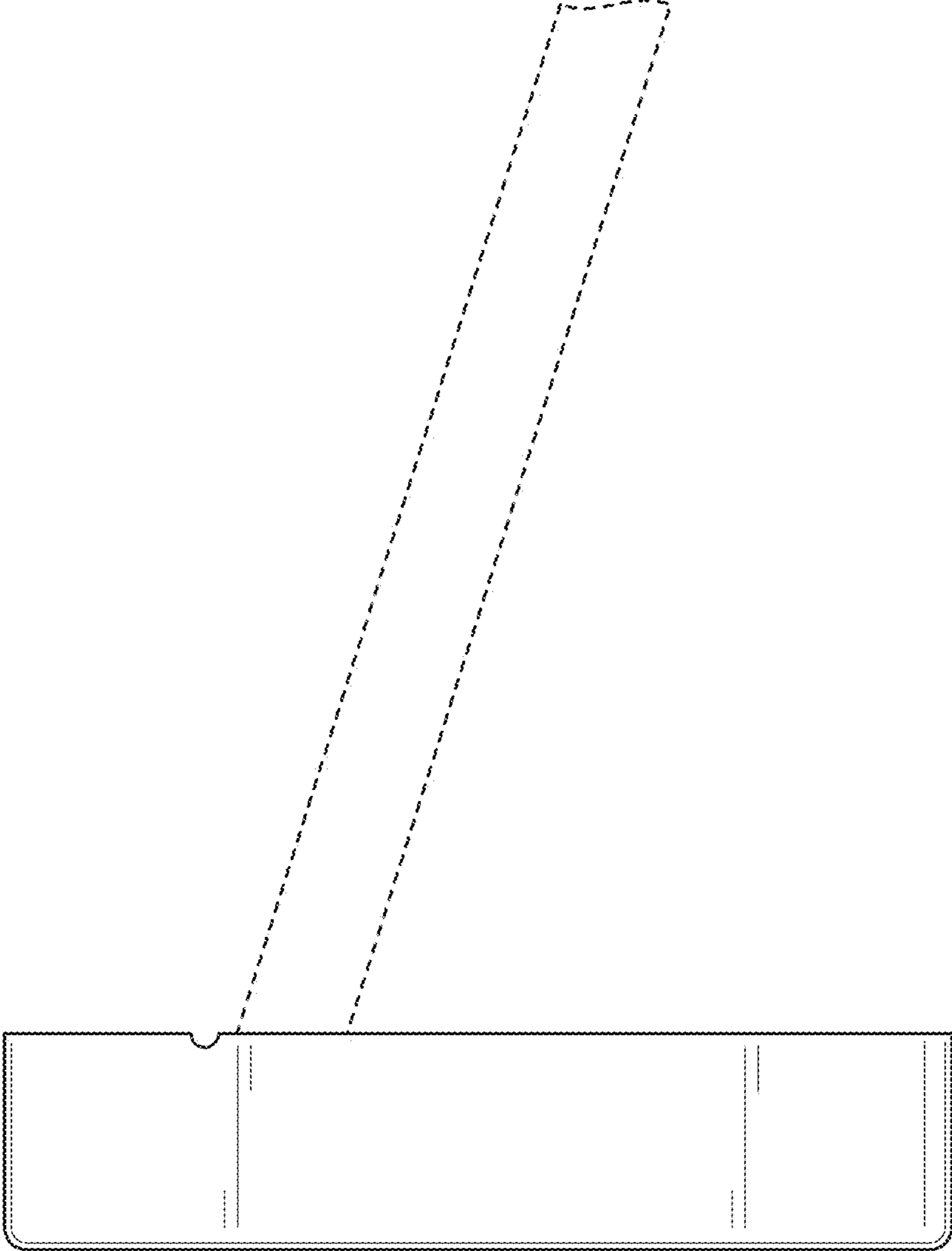


FIG. 5

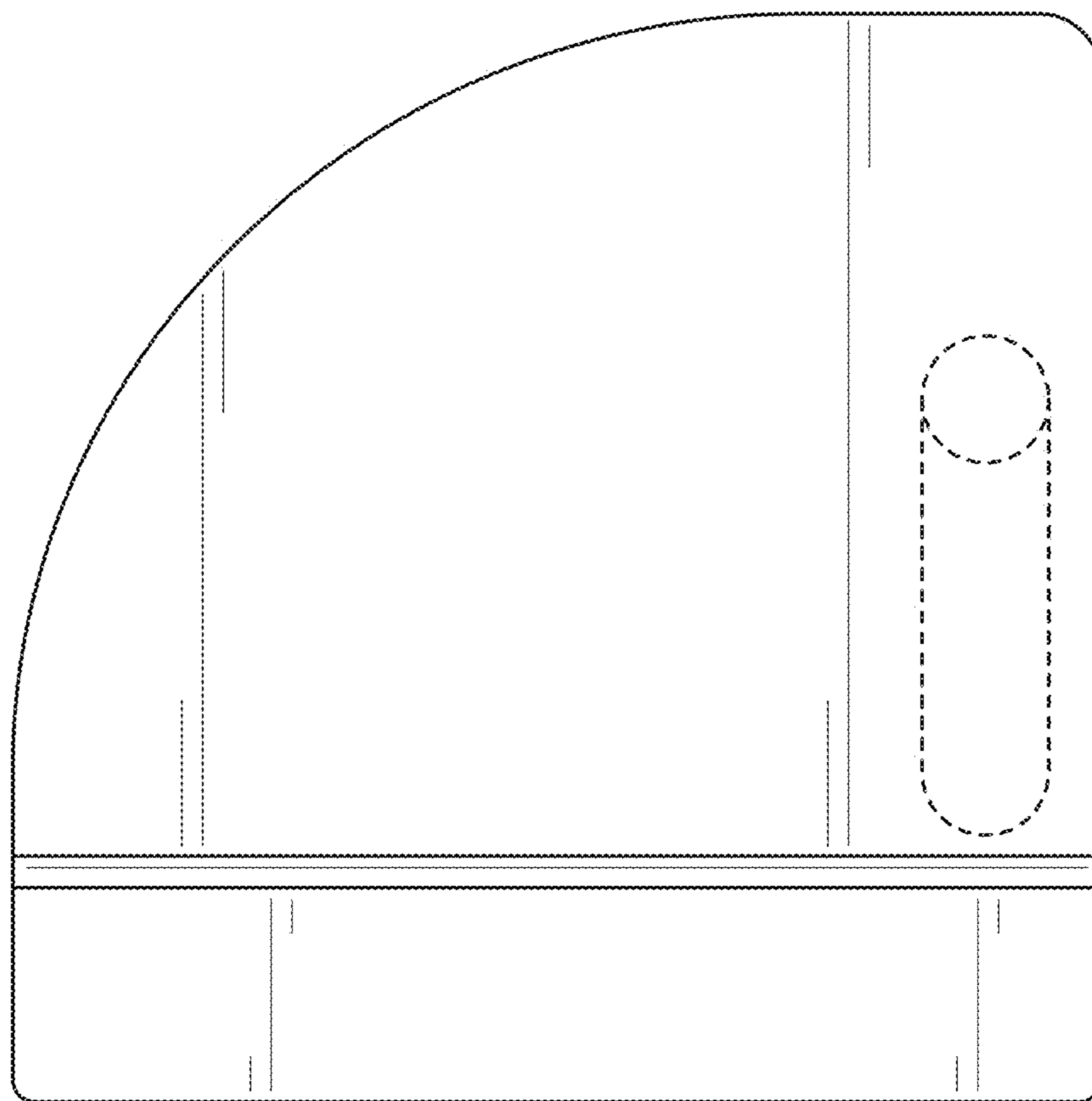


FIG. 6

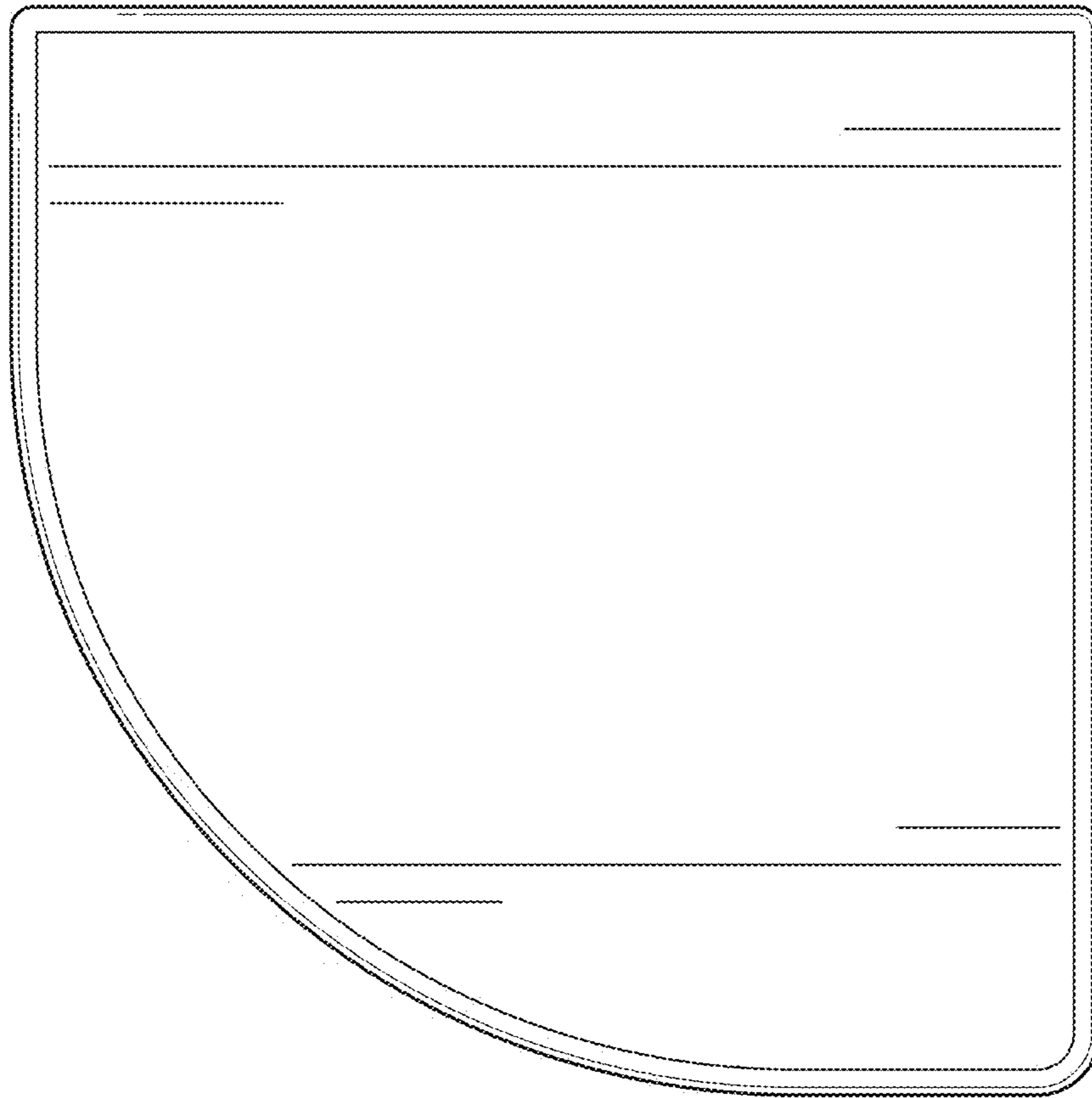


FIG. 7