



US00D684225S

(12) **United States Design Patent**
LaCroix

(10) **Patent No.:** **US D684,225 S**

(45) **Date of Patent:** **** Jun. 11, 2013**

(54) **GOALIE STICK**

(76) Inventor: **Wayne F. LaCroix**, Andover, MA (US)

(**) Term: **14 Years**

(21) Appl. No.: **29/422,718**

(22) Filed: **May 23, 2012**

(51) **LOC (9) Cl.** **21-07**

(52) **U.S. Cl.**
USPC **D21/727**

(58) **Field of Classification Search**
USPC D21/727, 753; 473/560-563
See application file for complete search history.

(56) **References Cited**

U.S. PATENT DOCUMENTS

D241,758 S *	10/1976	Matilalmen	D21/727
D251,861 S	5/1979	Carbnero		
D263,329 S *	3/1982	Clayton	D21/727
4,340,224 A *	7/1982	Staats	473/563
4,544,157 A *	10/1985	Curtis	473/560
D344,115 S *	2/1994	Goyette	D21/727
5,456,463 A *	10/1995	Dolan et al.	473/563
D380,027 S	6/1997	Ferguson		
D395,067 S	6/1998	Ubriaco		

D406,625 S	3/1999	Hutzenlaub		
D431,621 S *	10/2000	Pagotto et al.	D21/727
D496,703 S *	9/2004	Gans	D21/727
7,282,001 B2 *	10/2007	Ponzini	473/560
8,251,844 B2 *	8/2012	Cross et al.	473/560
2010/0323829 A1	12/2010	Cross		

* cited by examiner

Primary Examiner — Mitchell Siegel

(74) *Attorney, Agent, or Firm* — QuickPatents; Kevin Prince

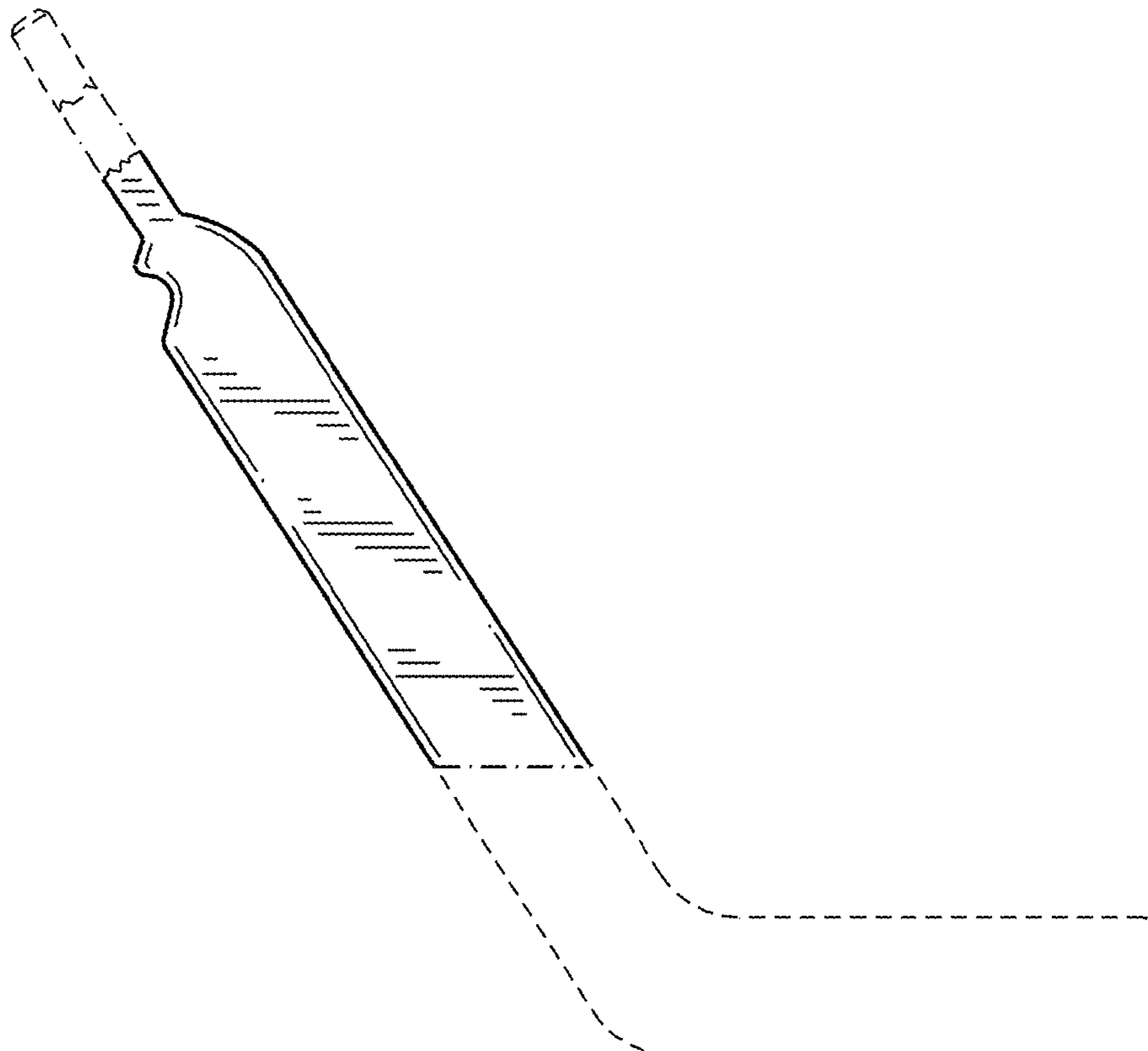
(57) **CLAIM**

I claim the ornamental design for a goalie stick, as shown and described.

DESCRIPTION

FIG. 1 is a perspective view of a goalie stick, showing my new design;
FIG. 2 is a right-side elevational view thereof;
FIG. 3 is a left-side elevational view thereof;
FIG. 4 is a top plan view thereof;
FIG. 5 is a bottom plan view thereof;
FIG. 6 is a front elevational view thereof; and,
FIG. 7 is a rear elevational view thereof.
The broken lines depict portions of the hockey stick that form no part of the claimed design.

1 Claim, 3 Drawing Sheets



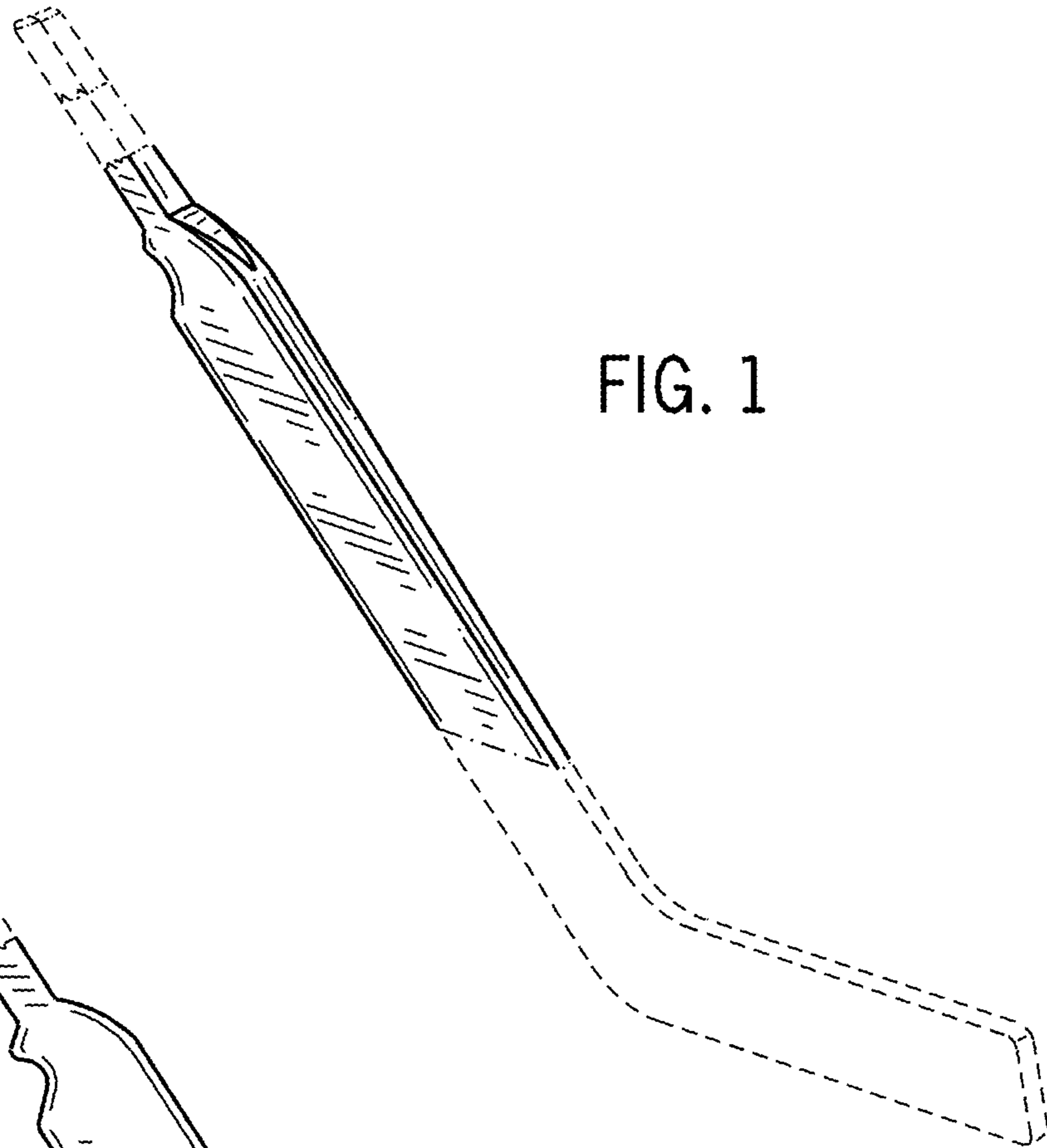


FIG. 1

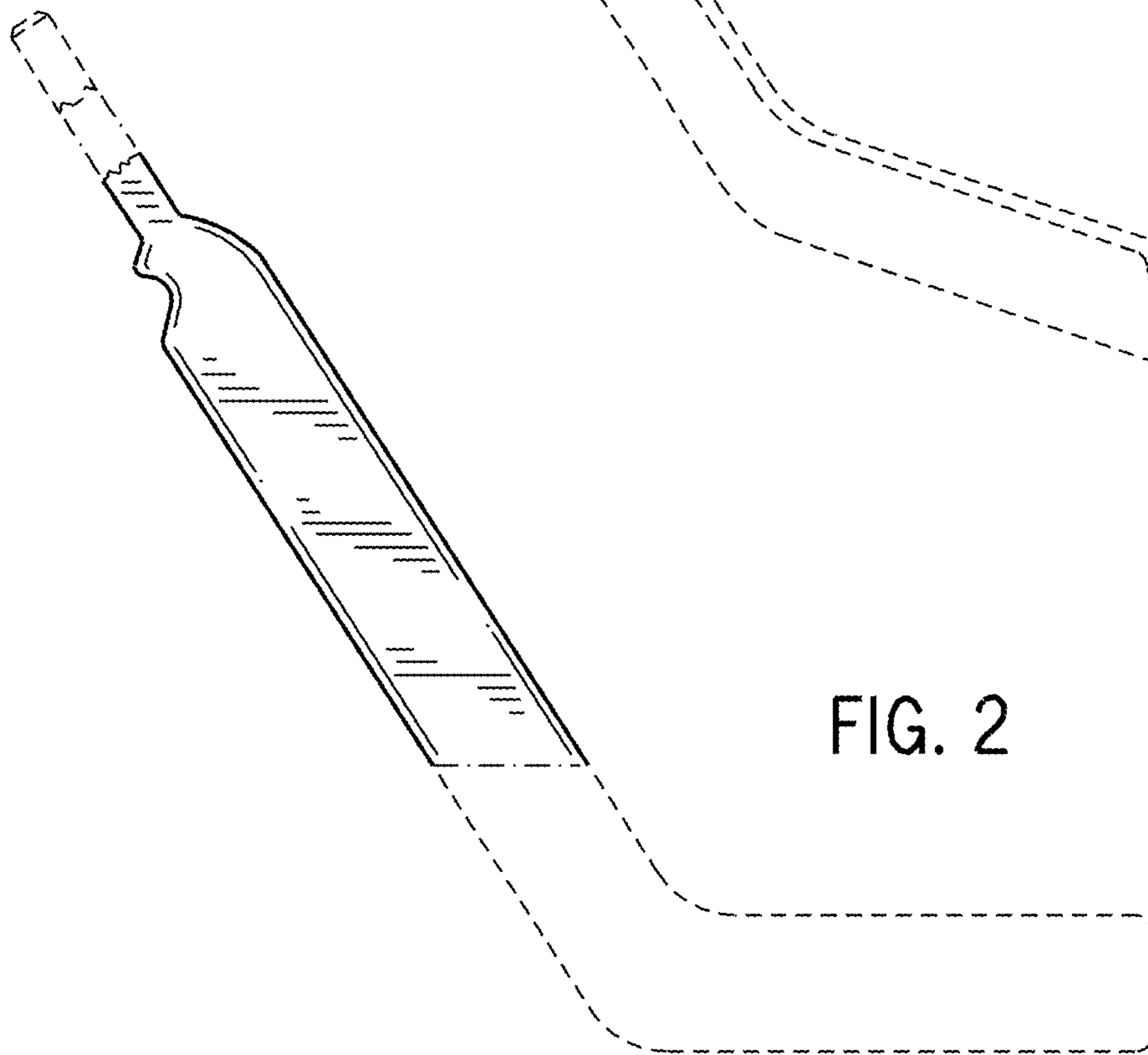


FIG. 2

FIG. 3

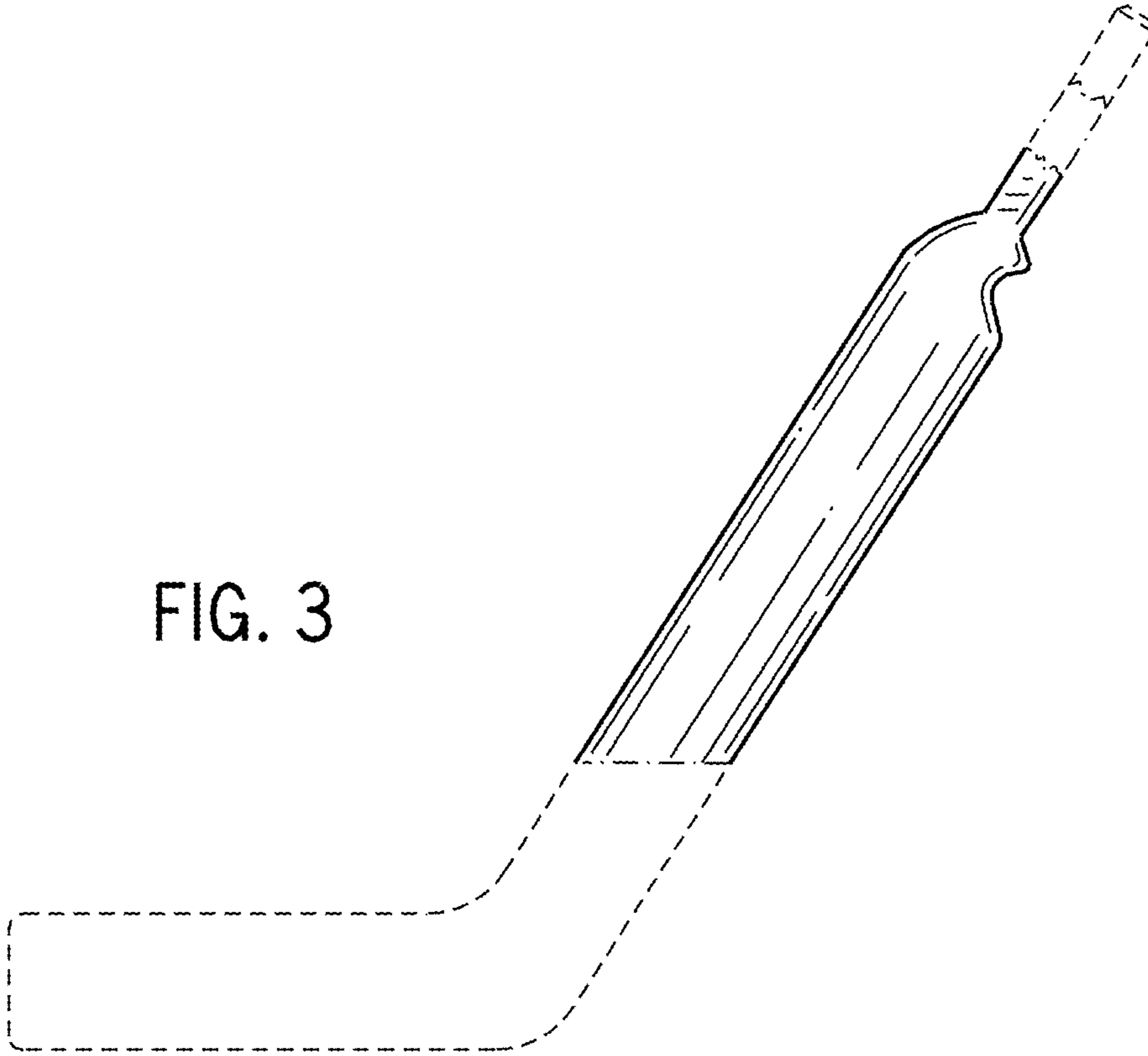


FIG. 4

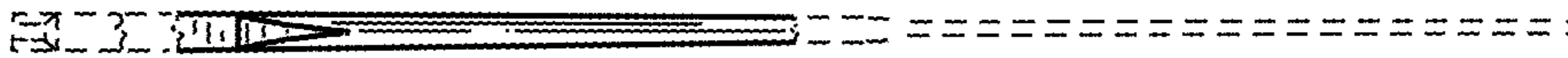


FIG. 5

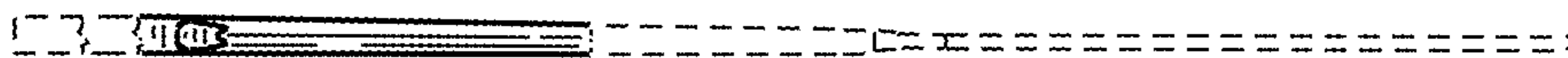




FIG. 6



FIG. 7