



US00D684224S

(12) **United States Design Patent**
Davies, III

(10) **Patent No.:** **US D684,224 S**
(45) **Date of Patent:** **** Jun. 11, 2013**

(54) **WEIGHT-LIFTING PLATE**

(76) **Inventor:** **David R. Davies, III**, Richmond, VA
(US)

(**) **Term:** **14 Years**

(21) **Appl. No.:** **29/408,360**

(22) **Filed:** **Dec. 12, 2011**

(51) **LOC (9) Cl.** **21-02**

(52) **U.S. Cl.**
USPC **D21/681; D21/680**

(58) **Field of Classification Search**
USPC D21/662, 680, 681, 682, 694; 482/93,
482/94, 105, 106, 107, 108
See application file for complete search history.

(56) **References Cited**

U.S. PATENT DOCUMENTS

5,137,502	A *	8/1992	Anastasi	482/106
D434,090	S *	11/2000	Wallace et al.	D21/680
D448,055	S *	9/2001	Lien et al.	D21/681
D450,361	S *	11/2001	Harms et al.	D21/681
6,319,176	B1 *	11/2001	Landfair	482/93
D474,517	S *	5/2003	Harms	D21/681
D476,383	S *	6/2003	Chen	D21/681
6,991,590	B2 *	1/2006	Vigiano	482/106
D562,415	S *	2/2008	Xu et al.	D21/680
D566,207	S *	4/2008	Cao	D21/681

D566,208	S *	4/2008	Alessandri et al.	D21/681
D639,874	S *	6/2011	Hillson	D21/680
D643,075	S *	8/2011	Childs	D21/680

* cited by examiner

Primary Examiner — Susan E Krakower

(74) *Attorney, Agent, or Firm* — Kimberly A. Chasteen

(57) **CLAIM**

The ornamental design for a weight-lifting plate, as shown and described.

DESCRIPTION

FIG 1 is a front view of a weight-lifting plate according to the present invention, the opposite side being a mirror image thereof;

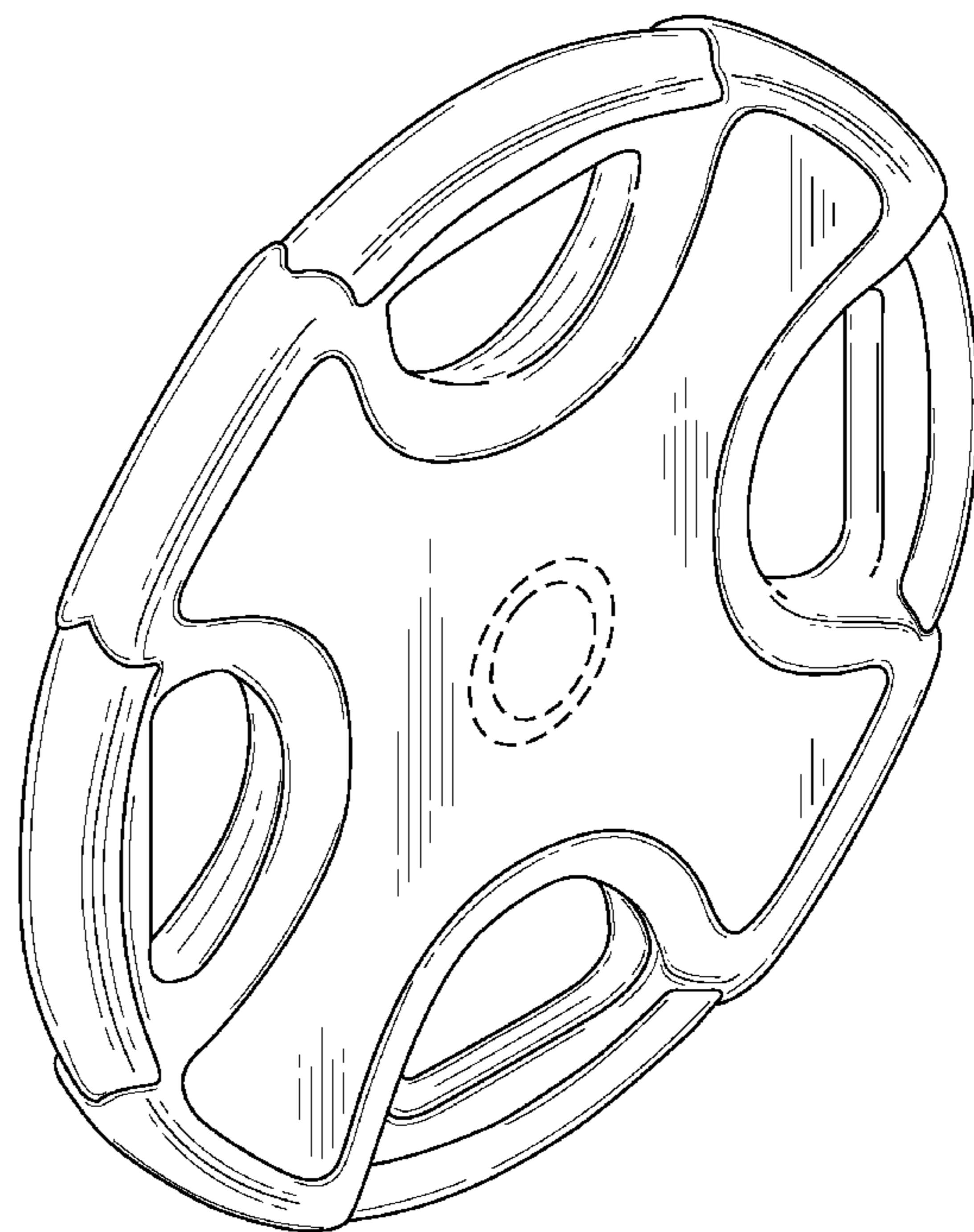
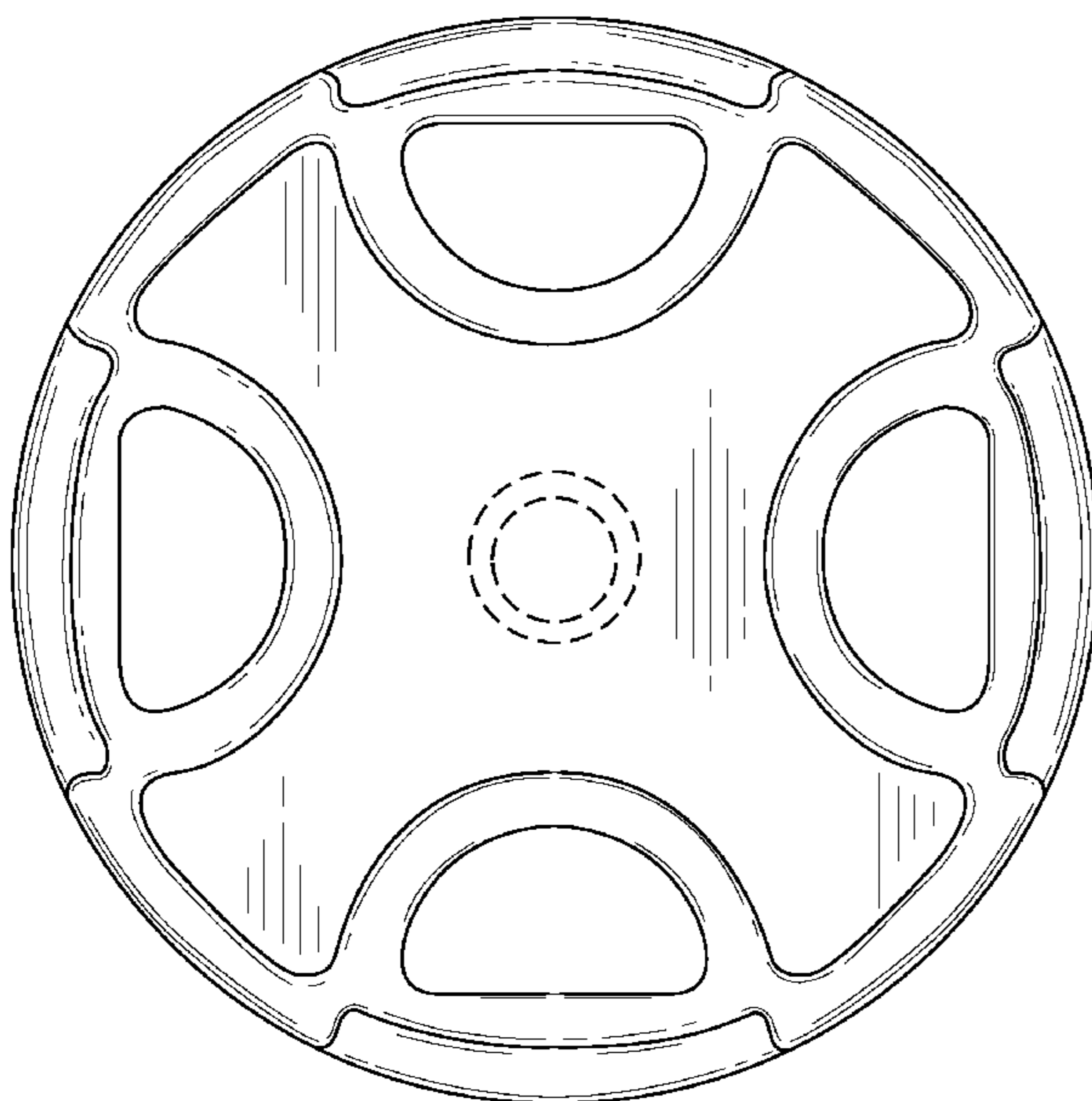
FIG. 2 is a top view of the weight-lifting plate shown in FIG. 1, the side views, and the bottom view being mirror images thereof; and

FIG. 3 is a perspective view of the weight-lifting plate in FIG. 1; and,

FIG. 4 is perspective view of the weight-lifting plate shown in FIG. 1.

The broken lines illustrate portions of the weight-lifting plate which form no part of the claimed design.

1 Claim, 4 Drawing Sheets



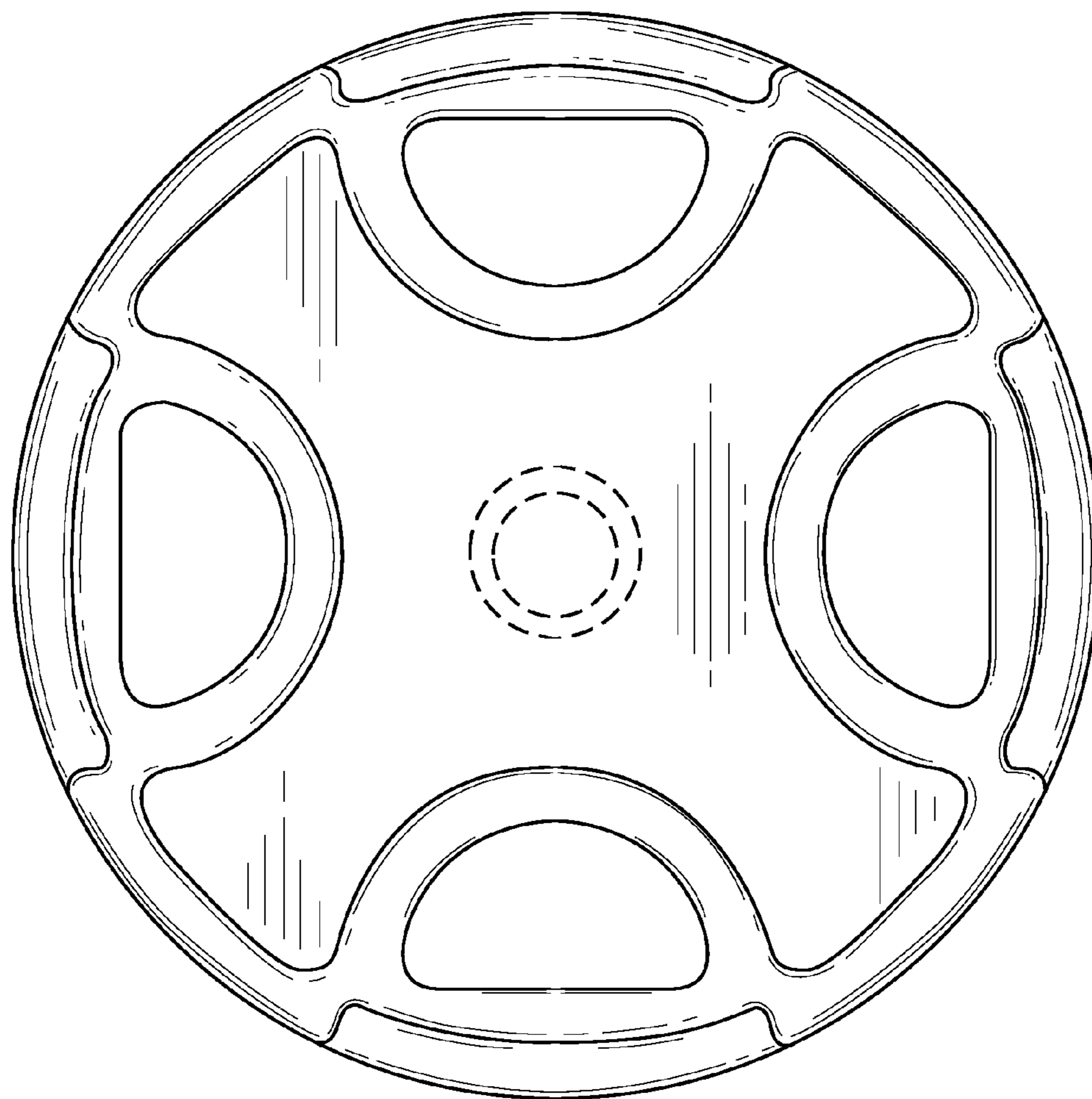


FIG. 1

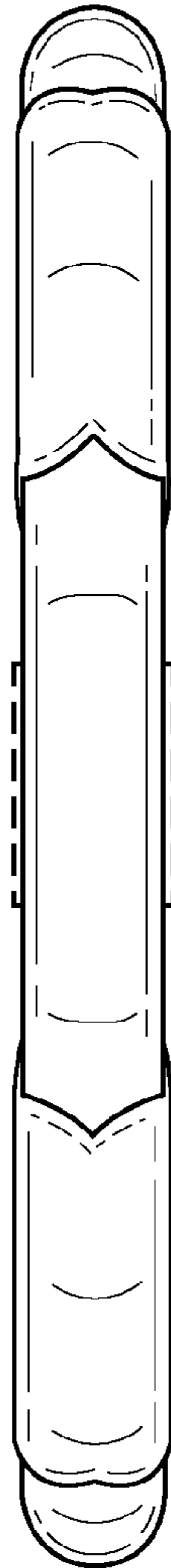


FIG. 2

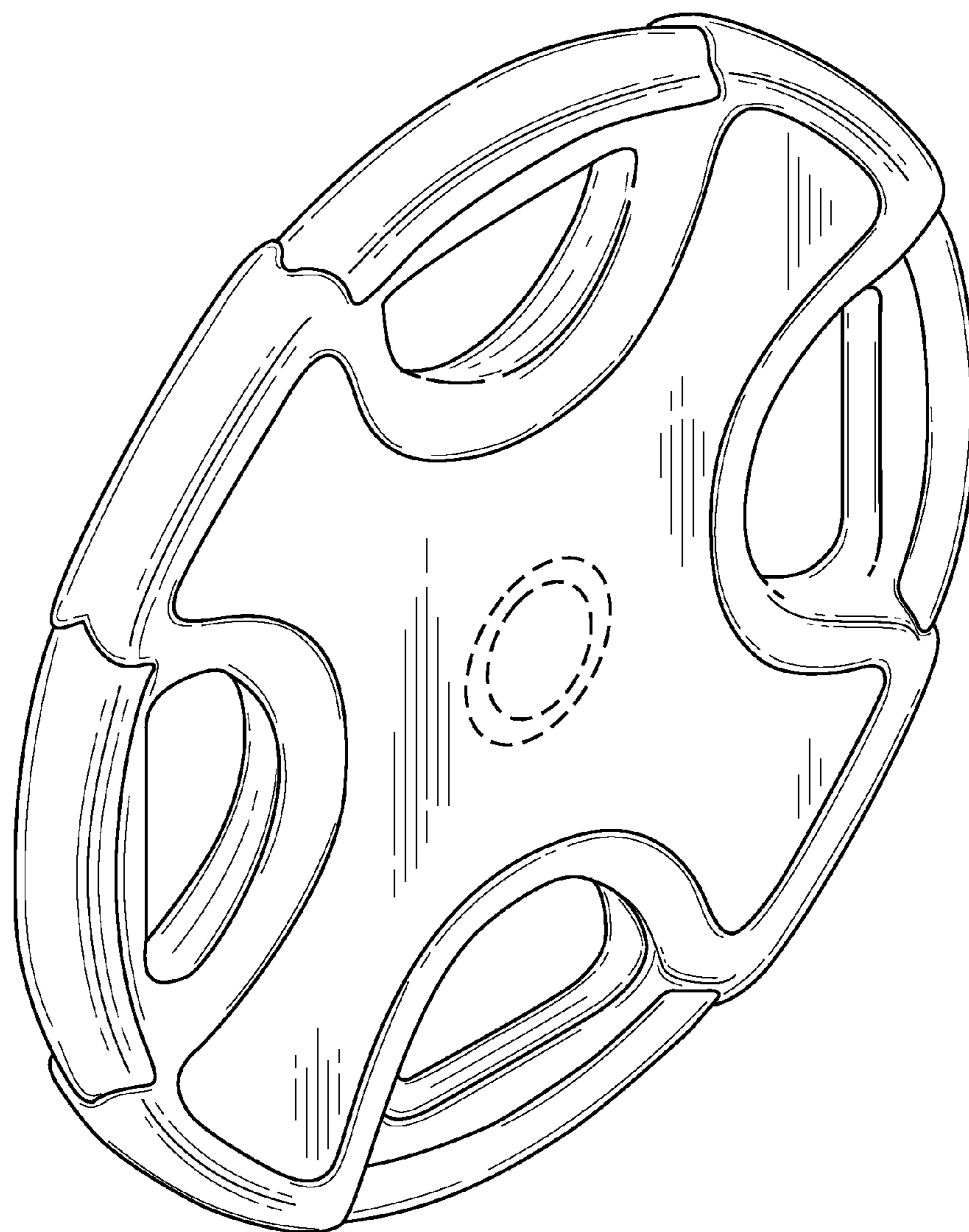


FIG. 3

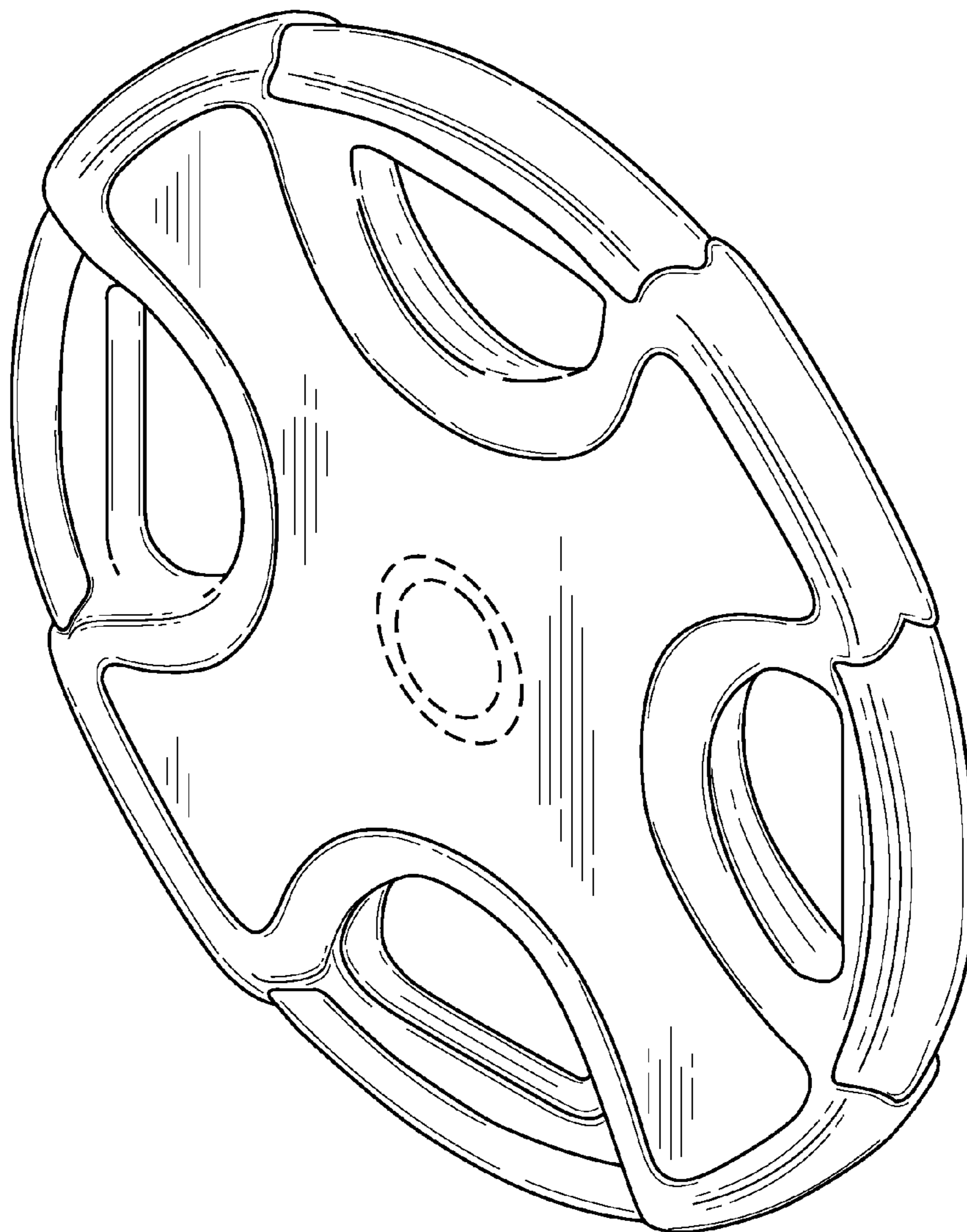


FIG. 4