



US00D684222S

(12) **United States Design Patent**
Kim

(10) **Patent No.:** **US D684,222 S**

(45) **Date of Patent:** **** Jun. 11, 2013**

(54) **SPORTING APPARATUS**

(76) Inventor: **Dong Suk Kim**, Gyeonggi-do (KR)

(**) Term: **14 Years**

(21) Appl. No.: **29/400,234**

(22) Filed: **Aug. 24, 2011**

(51) **LOC (9) Cl.** **21-02**

(52) **U.S. Cl.**
USPC **D21/662**

(58) **Field of Classification Search**
USPC D21/662, 668, 669, 670, 671, 672,
D21/673, 692, 694, 797; 482/31, 49, 52,
482/53, 57, 72, 79, 80

See application file for complete search history.

(56) **References Cited**

U.S. PATENT DOCUMENTS

2,926,911	A *	3/1960	Reichel	482/49
2,953,376	A *	9/1960	Thornton	472/110
3,300,209	A *	1/1967	Friis	482/31
4,501,421	A *	2/1985	Kane et al.	482/80
4,534,124	A *	8/1985	Schnell	36/114
5,199,934	A *	4/1993	Lin	482/79
5,230,675	A *	7/1993	Lin	482/53
5,230,676	A *	7/1993	Terauds	482/53
5,232,419	A *	8/1993	Kozak	482/52
5,232,420	A *	8/1993	Terauds	482/53
5,277,677	A *	1/1994	Terauds	482/53
D348,492	S *	7/1994	Konarski, II	D21/673
D349,542	S *	8/1994	Russell	D21/670
5,795,271	A *	8/1998	Pearson	482/72
D397,746	S *	9/1998	Drach et al.	D21/668
5,851,166	A *	12/1998	Bernardson	482/79
6,315,697	B1 *	11/2001	Chen	482/53
6,918,857	B2 *	7/2005	Chen	482/53

7,033,306	B2 *	4/2006	Graber	482/57
7,306,546	B2 *	12/2007	Lo	482/52
7,530,927	B2 *	5/2009	Chuang	482/53
7,637,849	B2 *	12/2009	Chen	482/52
7,862,481	B2 *	1/2011	Chen	482/52
7,878,949	B2 *	2/2011	Chen	482/52
RE42,698	E *	9/2011	Kuo et al.	482/54

* cited by examiner

Primary Examiner — Susan E Krakower

(74) *Attorney, Agent, or Firm* — Lee, Hong, Degerman, Kang & Waimey

(57) **CLAIM**

The ornamental design for a sporting apparatus, as shown and described.

DESCRIPTION

FIG. 1 is a perspective view of a sporting apparatus;
 FIG. 2 is a front view of the sporting apparatus shown in FIG. 1;
 FIG. 3 is a left side view of the sporting apparatus shown in FIG. 1;
 FIG. 4 is a right side view of the sporting apparatus shown in FIG. 1;
 FIG. 5 is a rear view of the sporting apparatus shown in FIG. 1;
 FIG. 6 is a top view of the sporting apparatus shown in FIG. 1; and,
 FIG. 7 is a bottom view of the sporting apparatus shown in FIG. 1.

The broken lines illustrate environmental structure and form no part of the claimed design.

1 Claim, 7 Drawing Sheets

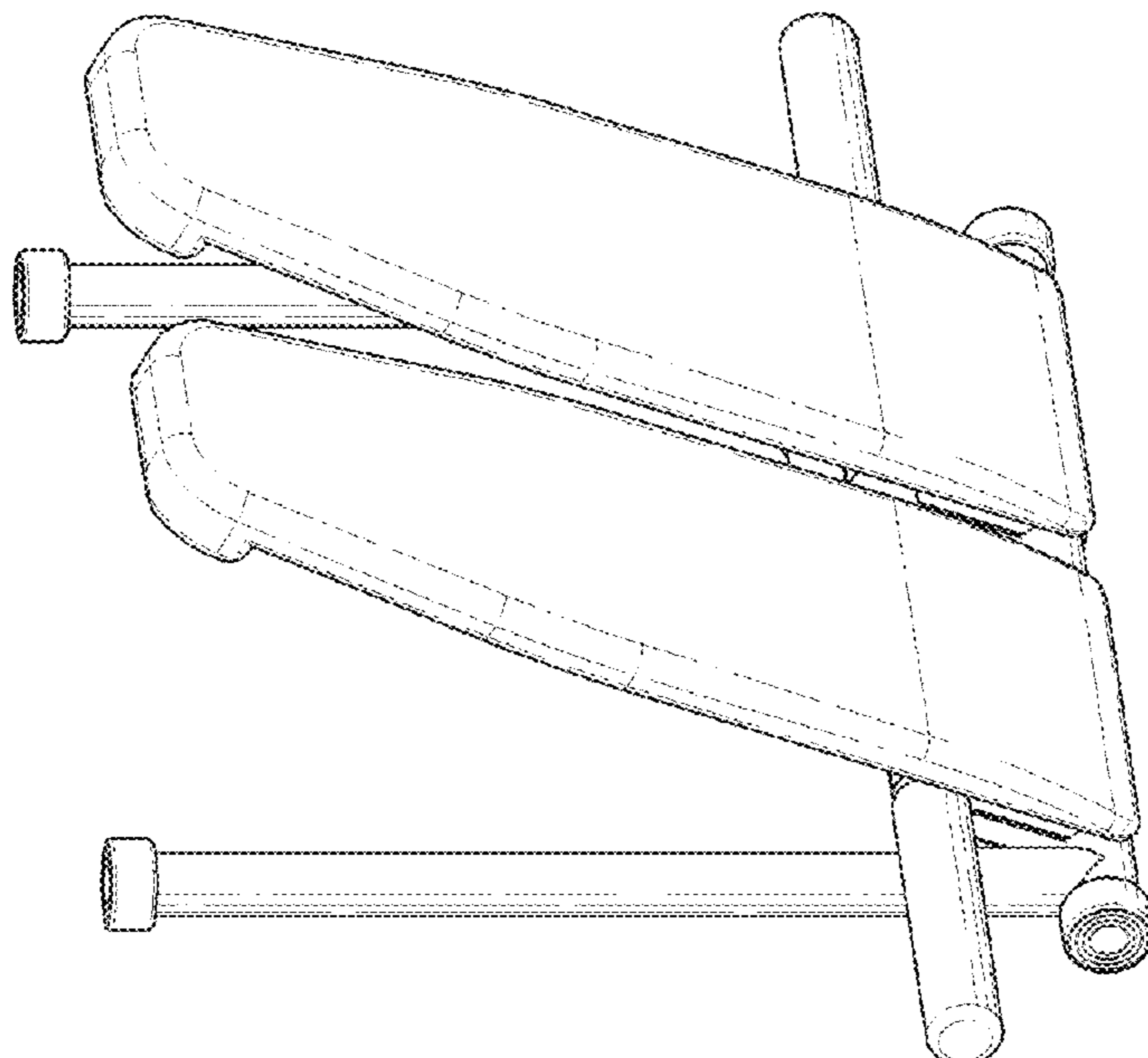


FIG. 1

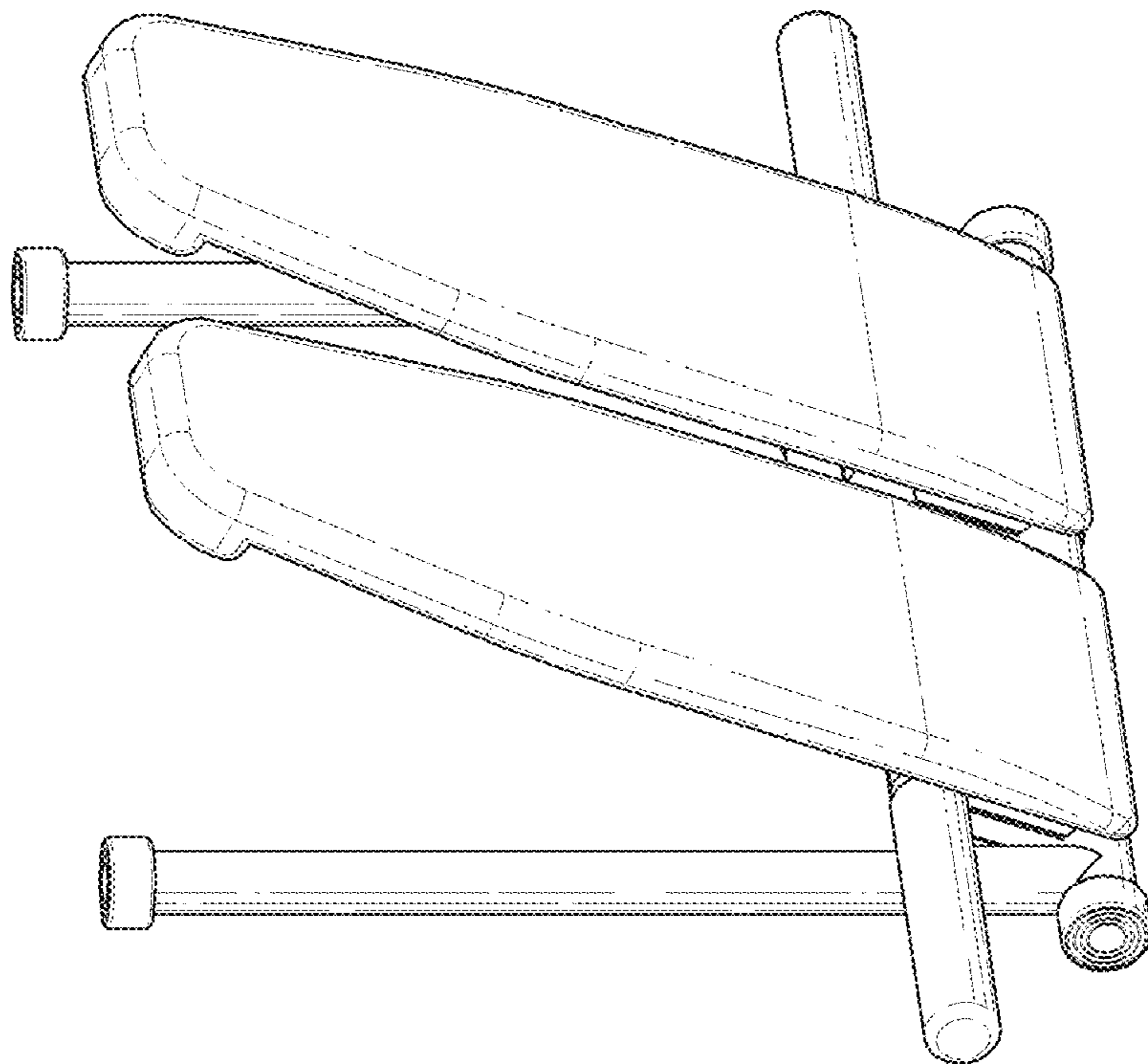


FIG. 2

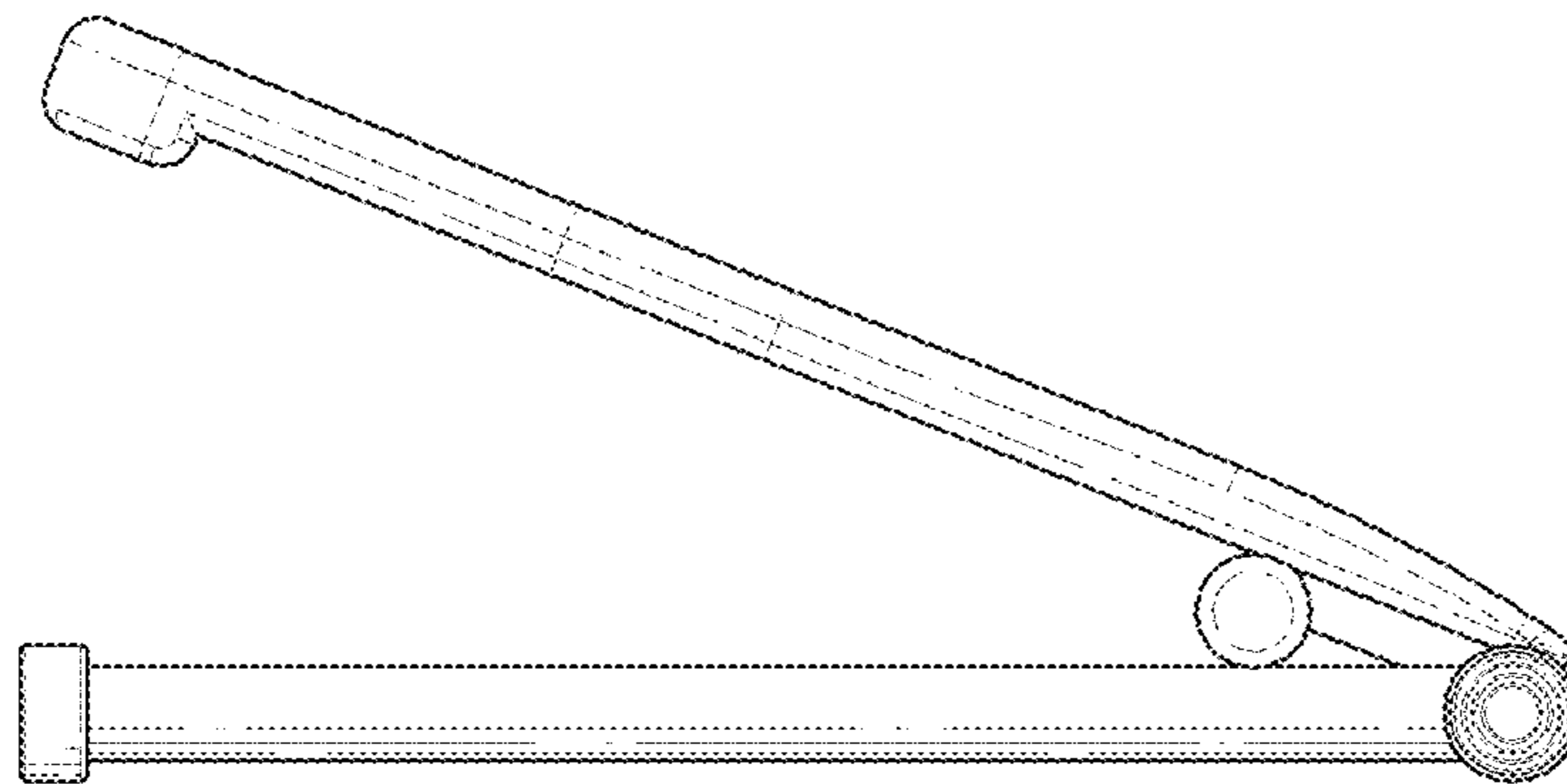


FIG. 3

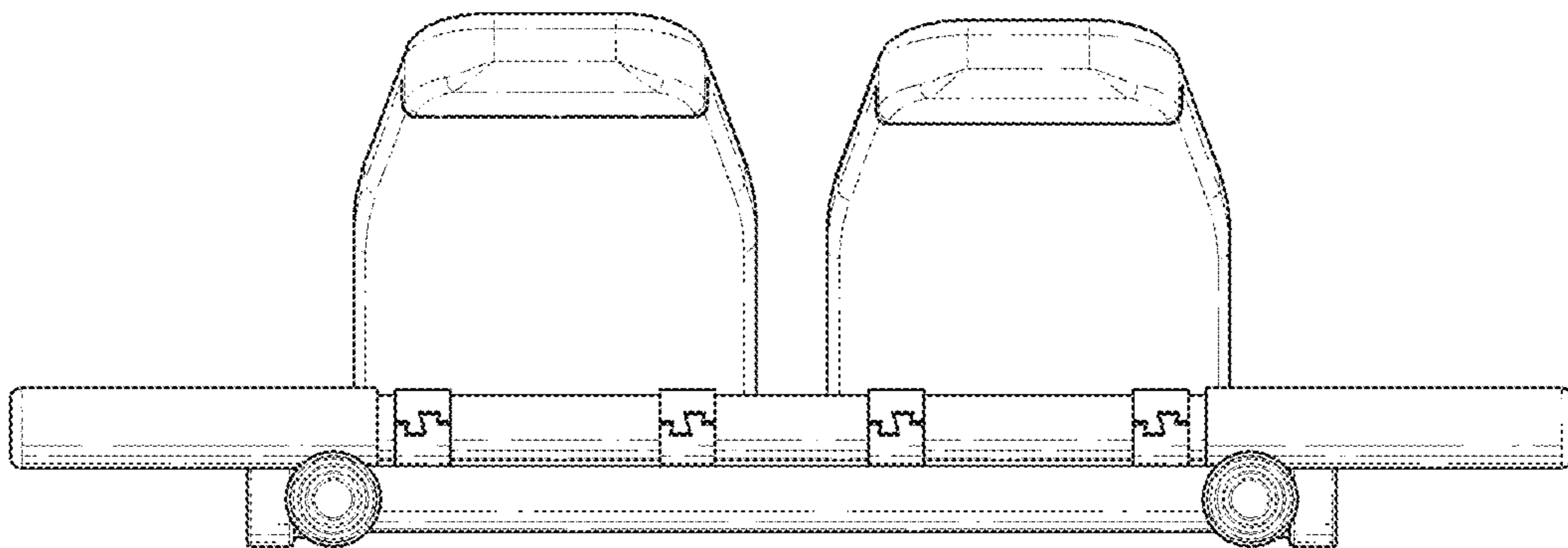


FIG. 4

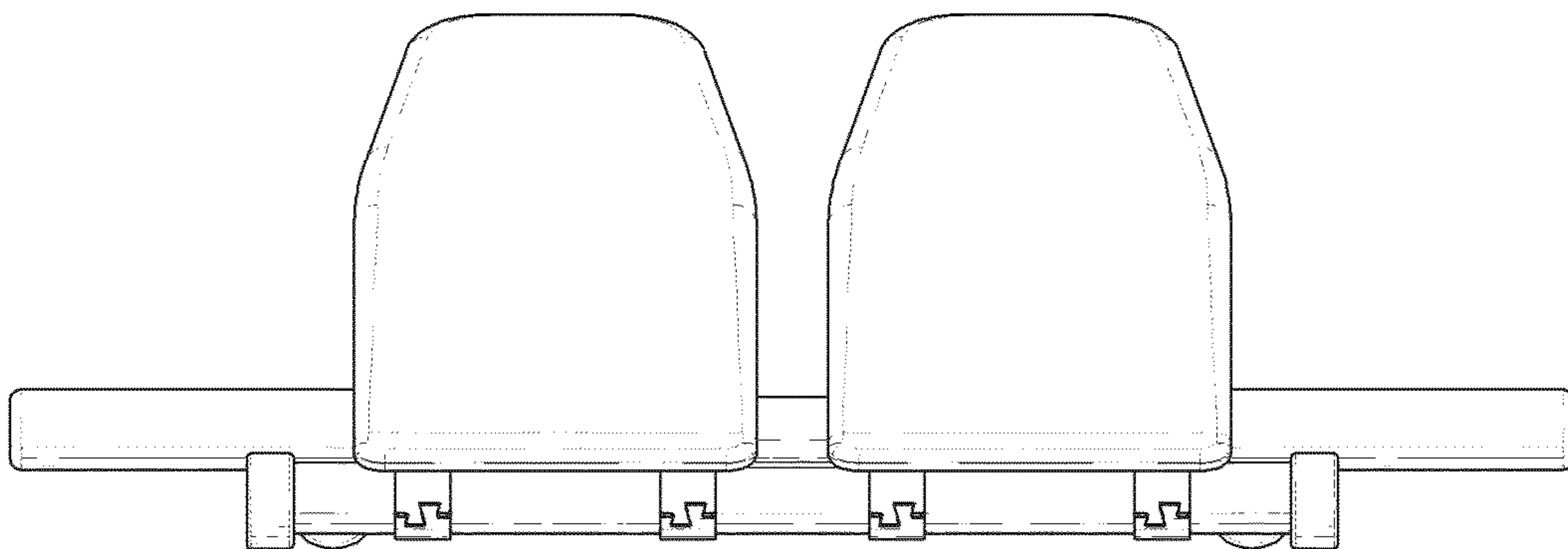


FIG. 5

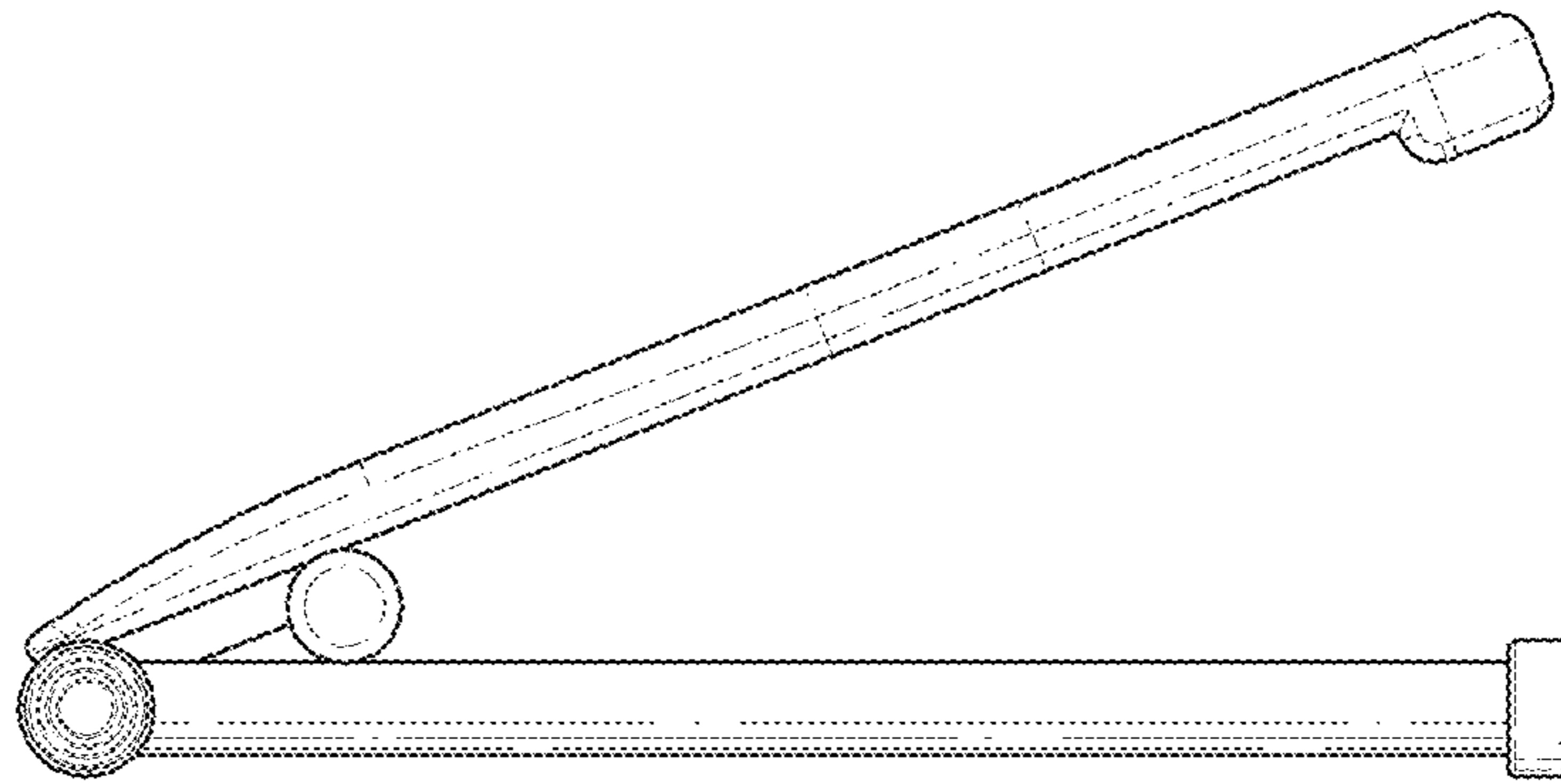


FIG. 6

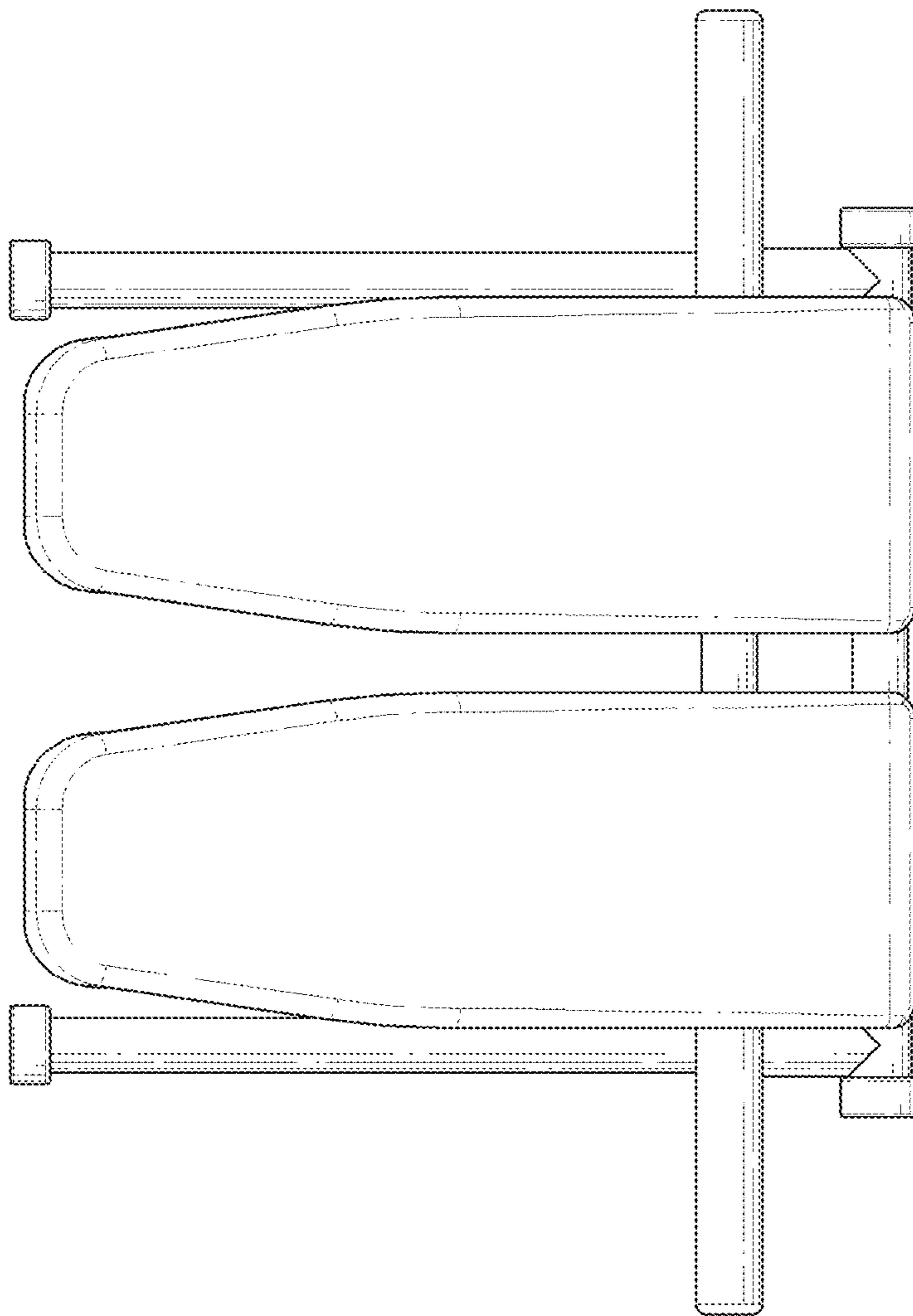


FIG. 7

