



US00D684221S

(12) **United States Design Patent**
Mimlitch, III et al.

(10) **Patent No.:** **US D684,221 S**
(45) **Date of Patent:** **** Jun. 11, 2013**

(54) **TOY TRACK SUPPORT COMPONENT**

(75) Inventors: **Robert H. Mimlitch, III**, Rowlett, TX (US); **David A. Norman**, Greenville, TX (US); **Douglas Michael Galletti**, Allen, TX (US); **Jeffrey Russell Waegelin**, Rockwall, TX (US); **Gregory Needel**, Rockwall, TX (US); **Raul Olivera**, Greenville, TX (US)

(73) Assignee: **Innovation First, Inc.**, Greenville, TX (US)

(**) Term: **14 Years**

(21) Appl. No.: **29/426,723**

(22) Filed: **Jul. 10, 2012**

(51) **LOC (9) Cl.** **21-01**

(52) **U.S. Cl.**
USPC **D21/565**

(58) **Field of Classification Search**
USPC D21/564, 565; 104/111, 124, 125, 104/130; 238/10 E, 10 R, 115, 117, 119
See application file for complete search history.

(56) **References Cited**

U.S. PATENT DOCUMENTS

D190,088 S * 4/1961 Tilli D21/565
3,313,486 A * 4/1967 Sonnevile 238/117
3,712,538 A * 1/1973 Starr et al. 238/10 E

D261,292 S * 10/1981 Tong D21/565
4,938,150 A * 7/1990 Gustav et al. 104/130.06
5,027,713 A * 7/1991 Kindmann et al. 104/124
5,370,308 A * 12/1994 Black 238/10 R
5,392,987 A * 2/1995 Ropers et al. 238/10 E
5,456,410 A * 10/1995 Chow 238/10 R
6,637,840 B2 * 10/2003 Zaleski et al. 305/193

* cited by examiner

Primary Examiner — Cynthia M Chin

(74) *Attorney, Agent, or Firm* — Adam K. Sacharoff

(57) **CLAIM**

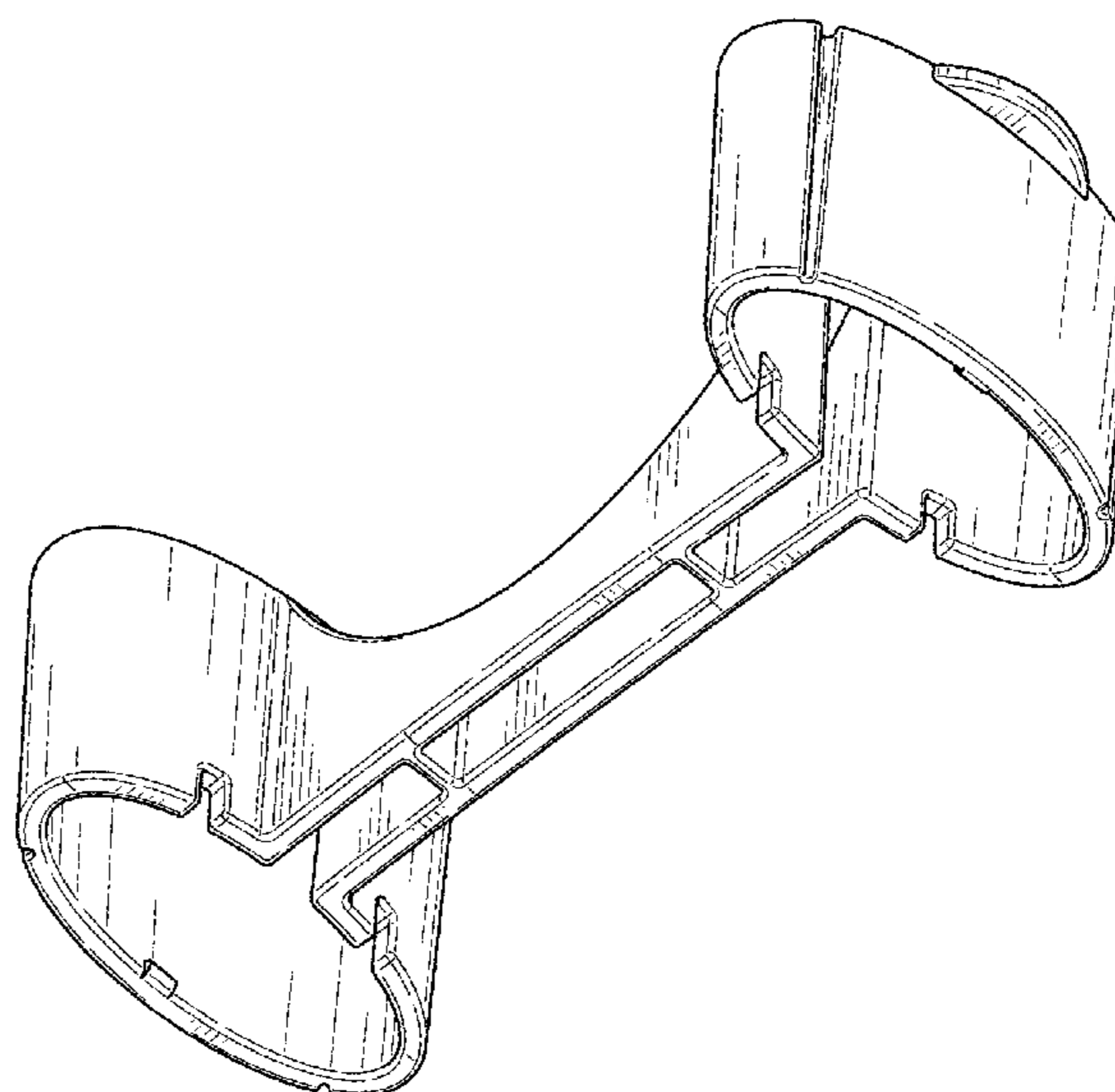
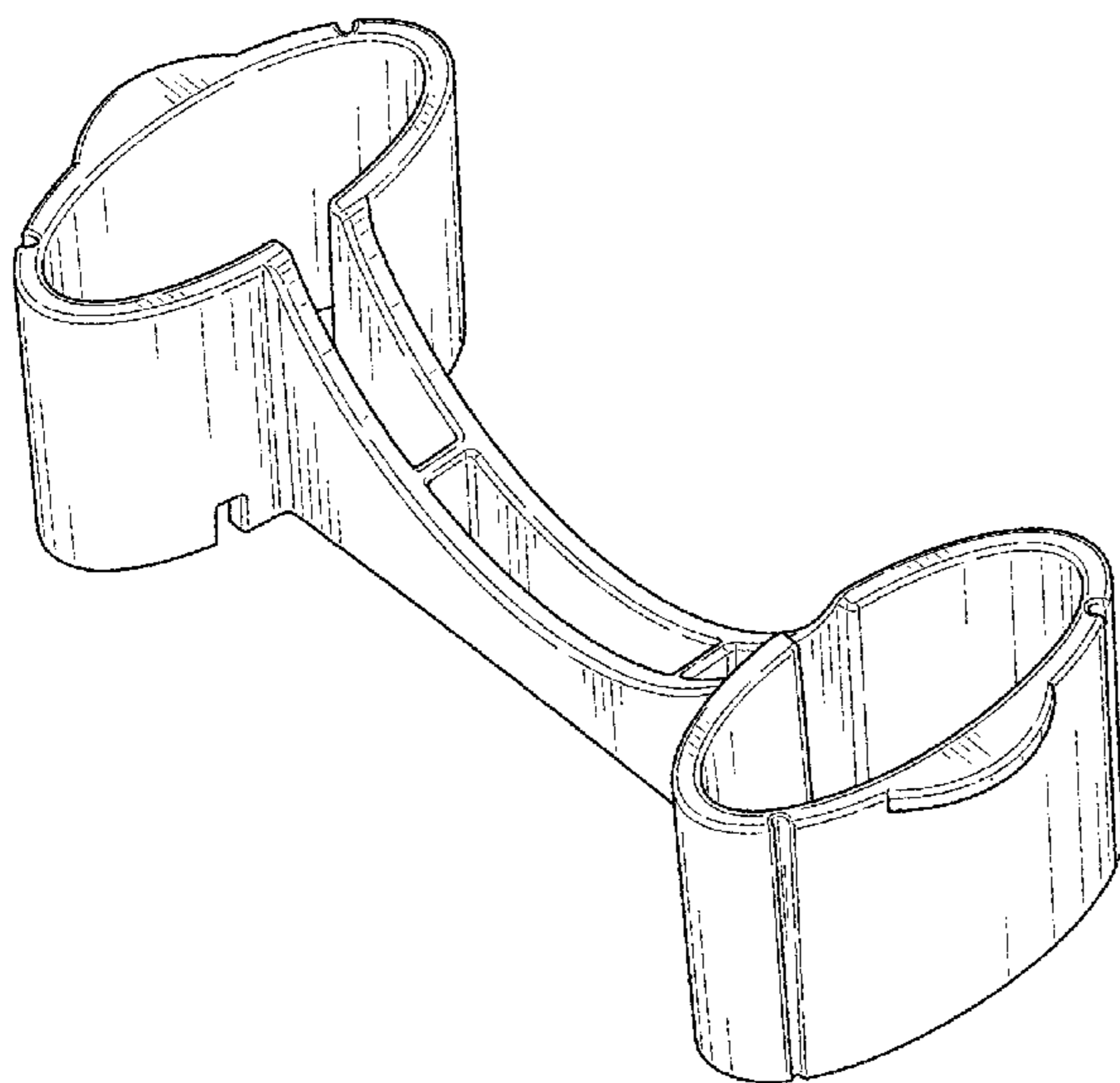
The ornamental design for a toy track support component, as shown and described.

DESCRIPTION

FIG. 1 is a top perspective view showing the toy track support component;
FIG. 2 is a bottom perspective view of FIG. 1;
FIG. 3 is a top side view of FIG. 1;
FIG. 4 is a bottom side view of FIG. 1;
FIG. 5 is a front side view of FIG. 1;
FIG. 6 is a rear side view of FIG. 1;
FIG. 7 is a left side view of FIGS. 1; and,
FIG. 8 is a right side view of FIG. 1.

The surfaces lines shown in the drawing represent the three-dimensional contour of the design, and are not intended to indicate surface decoration.

1 Claim, 3 Drawing Sheets



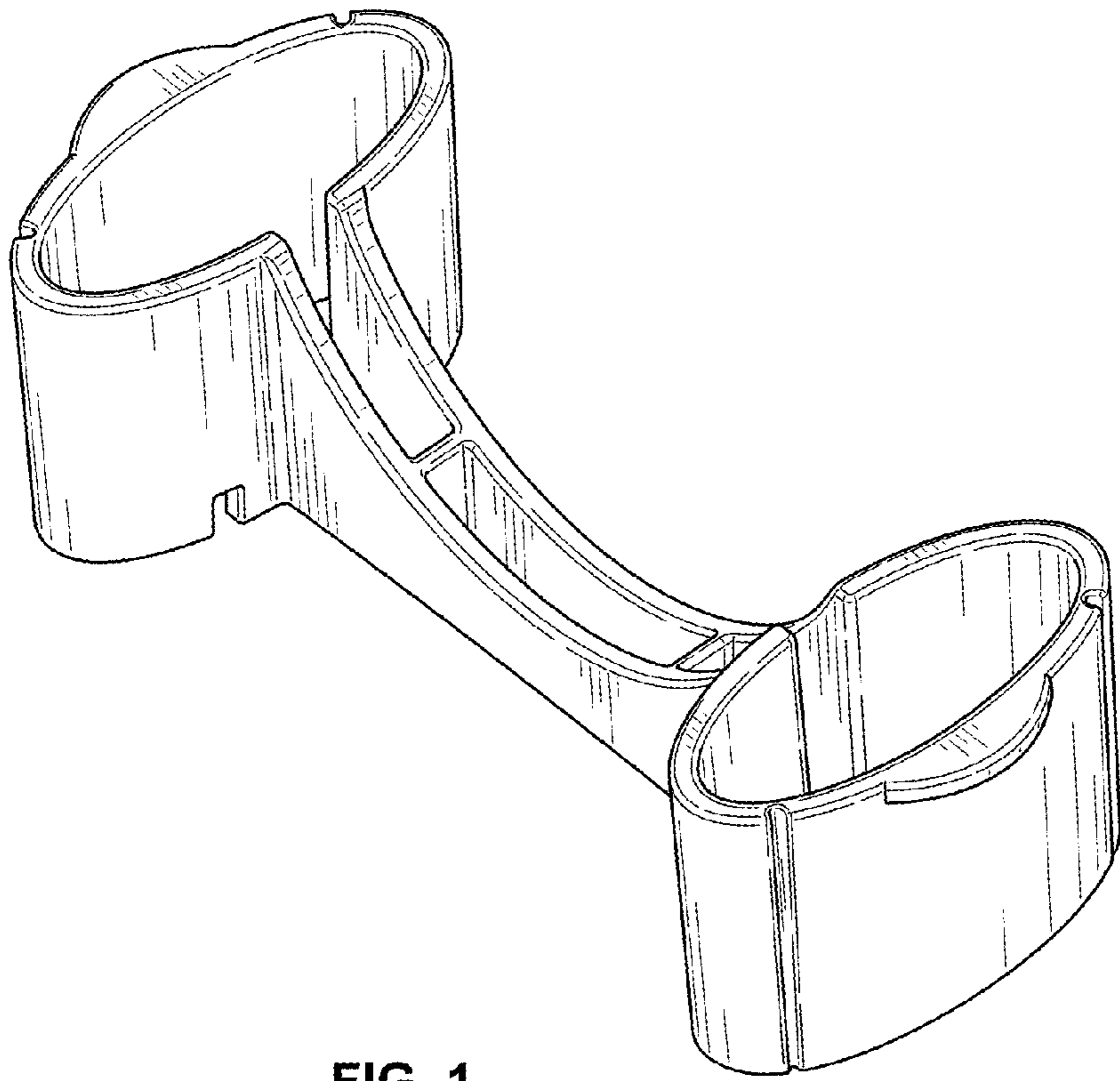


FIG. 1

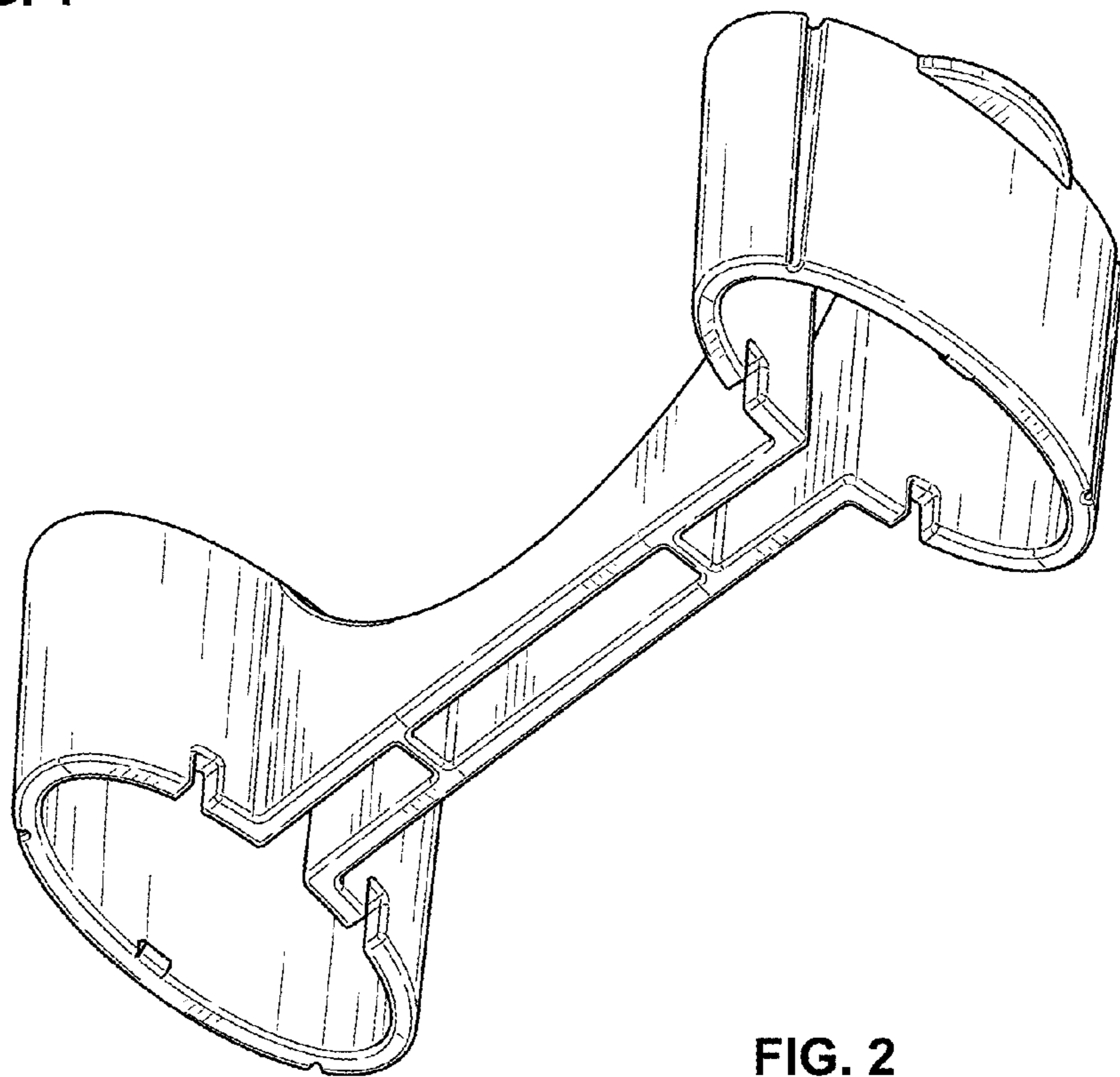


FIG. 2

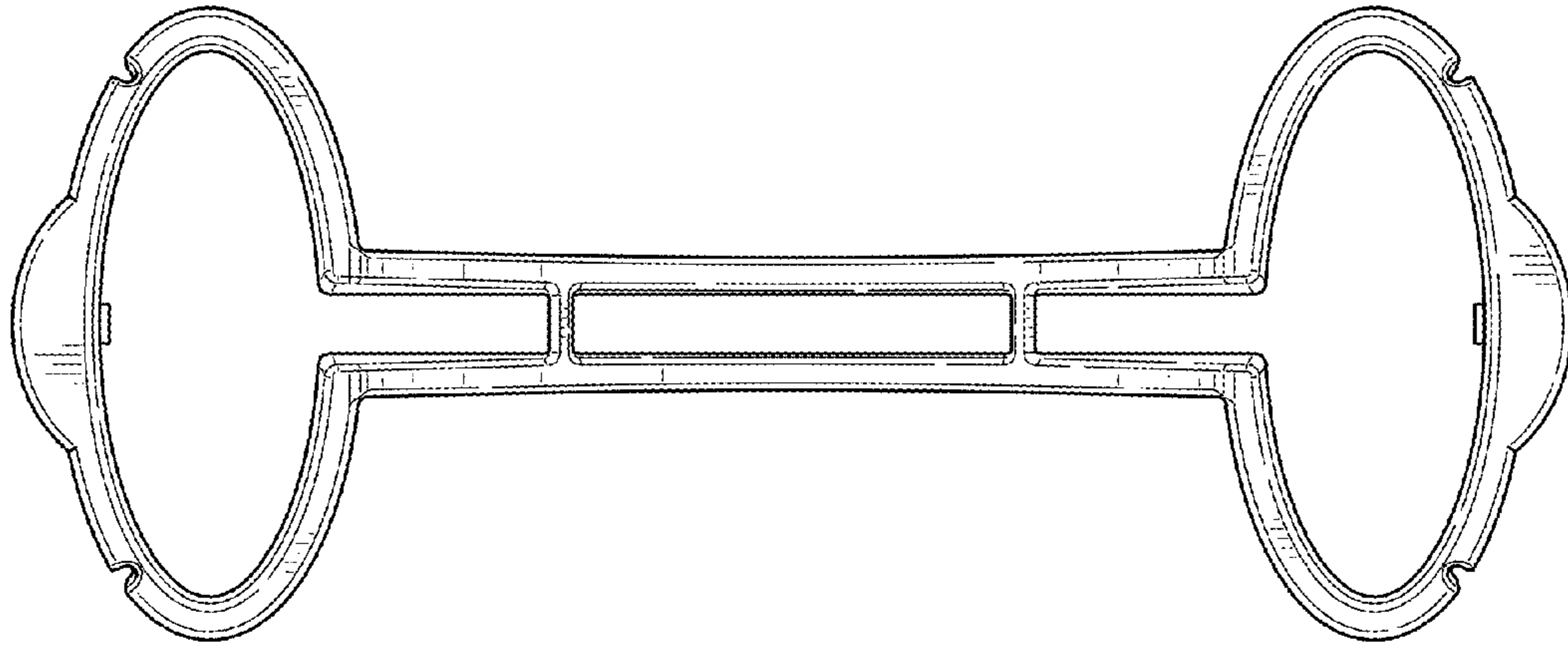


FIG. 3

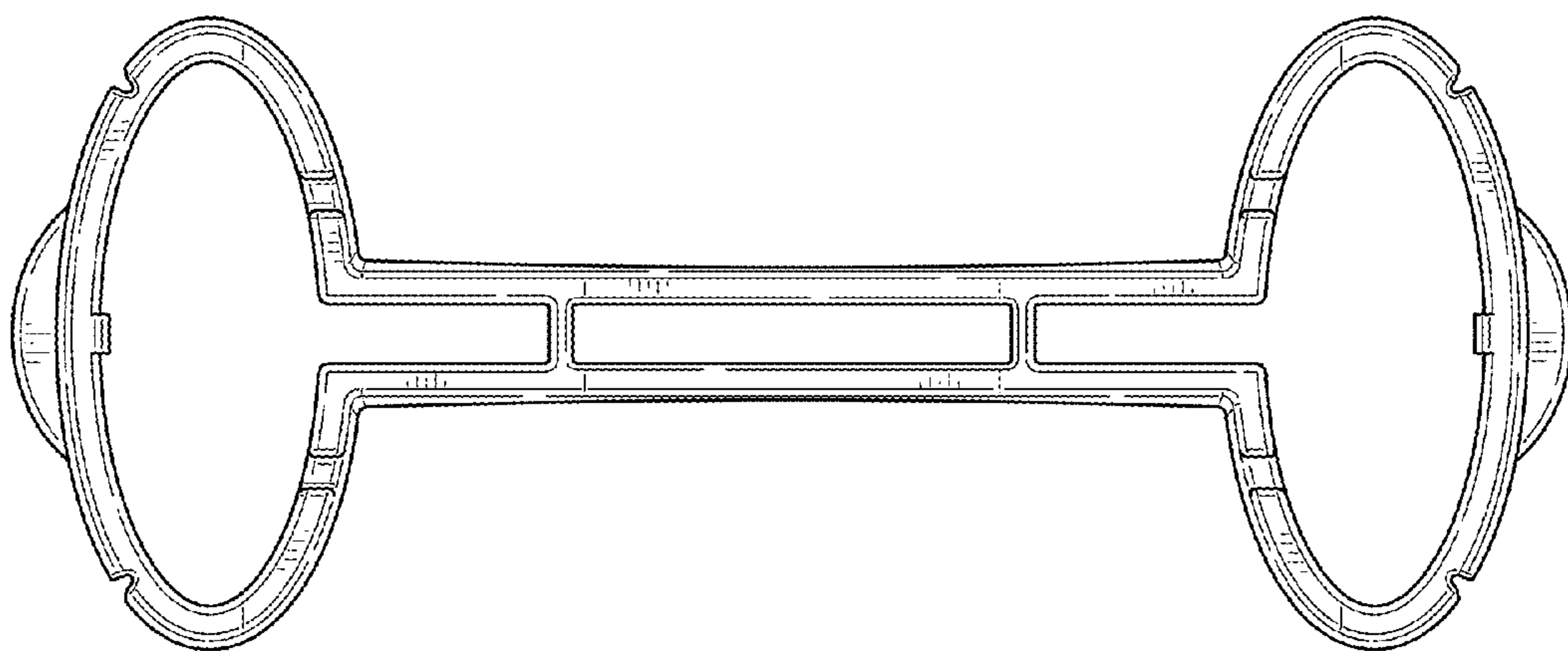


FIG. 4

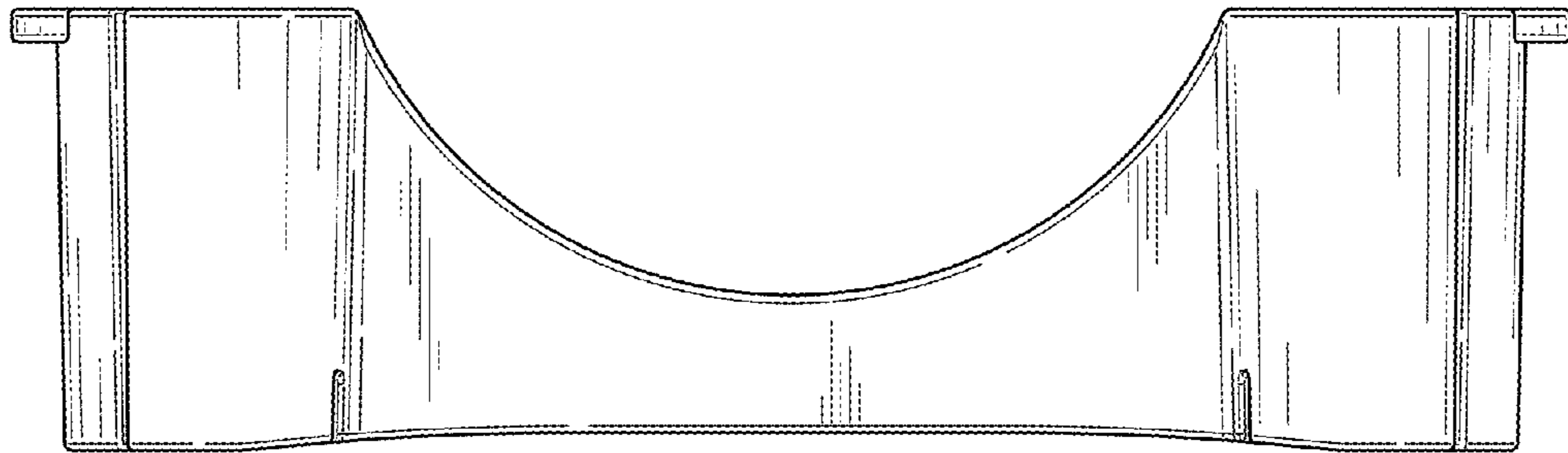


FIG. 5

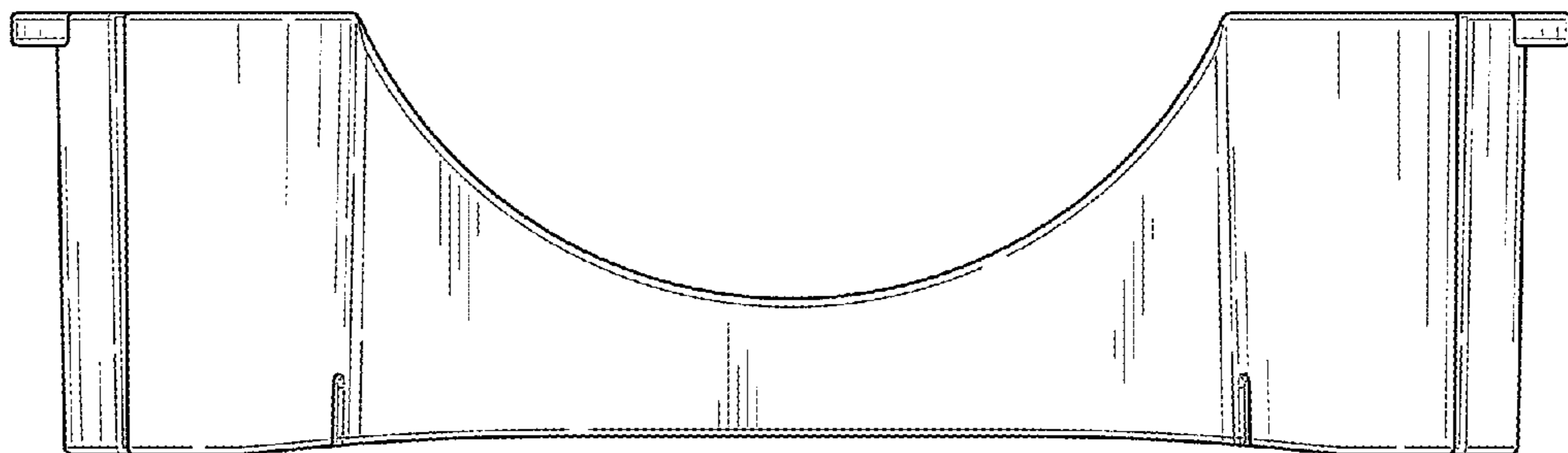


FIG. 6

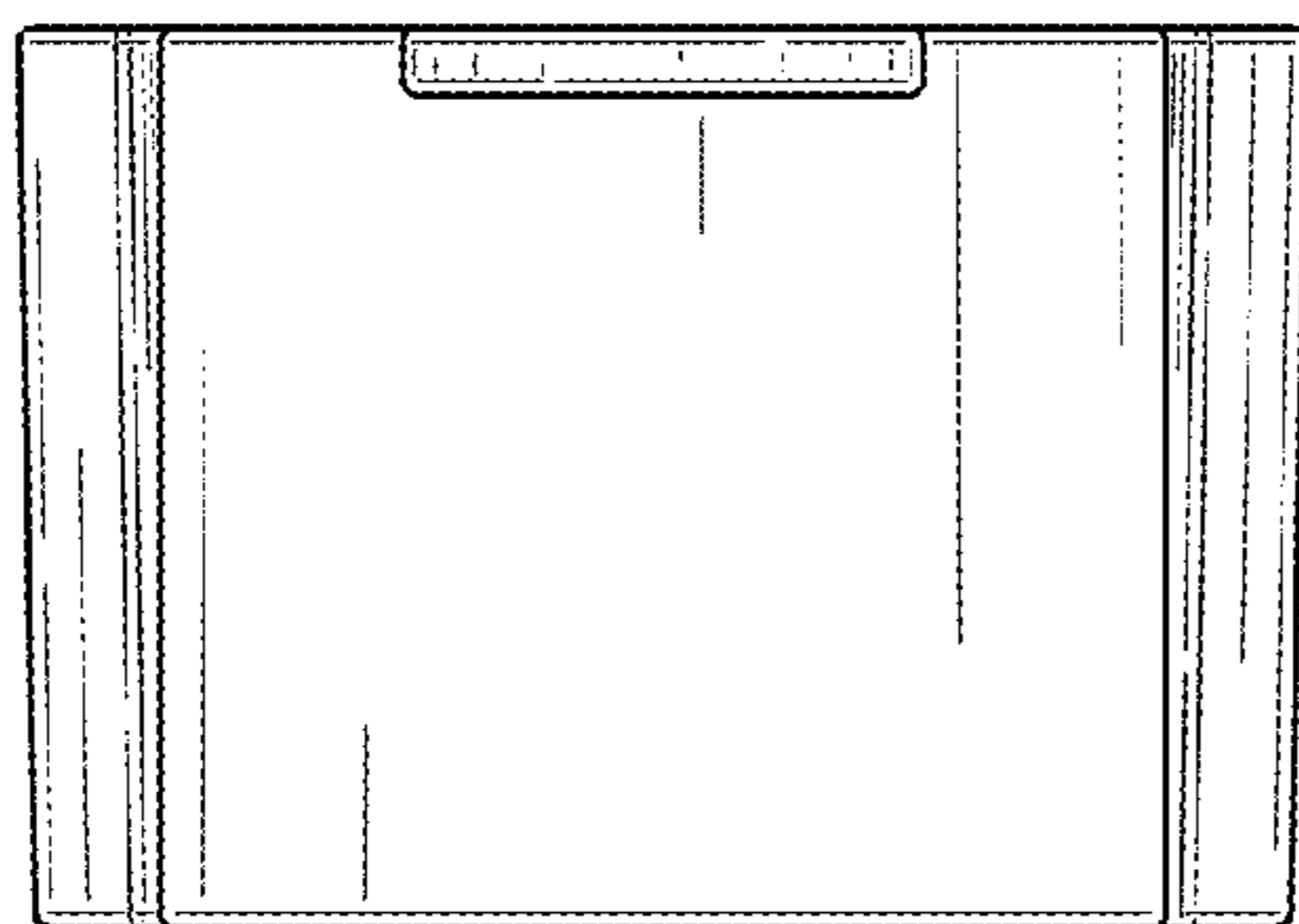


FIG. 7

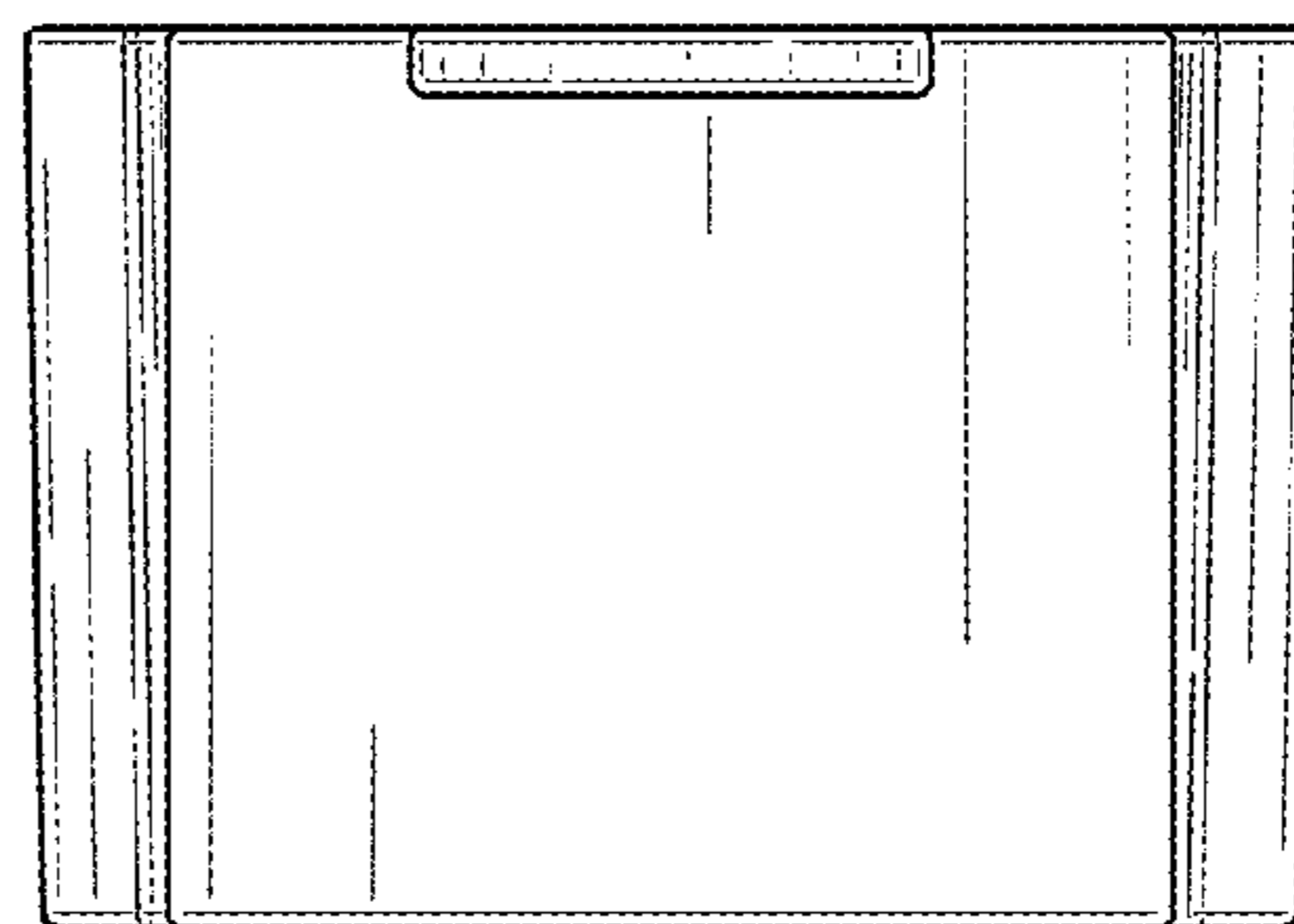


FIG. 8