



US00D684218S

(12) **United States Design Patent**  
**Mimlitch, III et al.**

(10) **Patent No.:** **US D684,218 S**  
(45) **Date of Patent:** **\*\* Jun. 11, 2013**

(54) **FLOWER FOR A TOY PLAYSET**

(75) Inventors: **Robert H. Mimlitch, III**, Rowlett, TX (US); **David A. Norman**, Greenville, TX (US); **Douglas Galletti**, Allen, TX (US); **Gregory Lavender**, Rockwall, TX (US); **Brian Richard Delaney**, Rockwall, TX (US); **Raul Olivera**, Greenville, TX (US)

(73) Assignee: **Innovation First, Inc.**, Greenville, TX (US)

(\*\*) Term: **14 Years**

(21) Appl. No.: **29/411,346**

(22) Filed: **Jan. 19, 2012**

(51) **LOC (9) Cl.** ..... **21-01**

(52) **U.S. Cl.**  
USPC ..... **D21/496**

(58) **Field of Classification Search**  
USPC ..... D21/483, 484, 486, 490, 493, 496,  
D21/504, 628; D11/117, 157; 446/85, 102-128  
See application file for complete search history.

(56) **References Cited**

U.S. PATENT DOCUMENTS

D298,809 S *	12/1988	Davis	.....	D11/117
D312,673 S *	12/1990	Kataoka	.....	D21/586
D312,848 S *	12/1990	Kataoka	.....	D21/586
D312,850 S *	12/1990	Kataoka et al.	.....	D21/628
D312,851 S *	12/1990	Kataoka	.....	D21/586
D314,999 S *	2/1991	Kataoka	.....	D21/628

D371,401 S *	7/1996	Nielsen et al.	.....	D21/496
D394,468 S *	5/1998	Leadbetter	.....	D21/496
6,315,628 B1 *	11/2001	Quercetti	.....	446/128
6,726,184 B2 *	4/2004	Wang	.....	D11/117
D541,891 S *	5/2007	Warren	.....	D21/628
D573,664 S *	7/2008	Lu	.....	D21/522

\* cited by examiner

*Primary Examiner* — Cynthia M Chin

(74) *Attorney, Agent, or Firm* — Adam K. Sacharoff

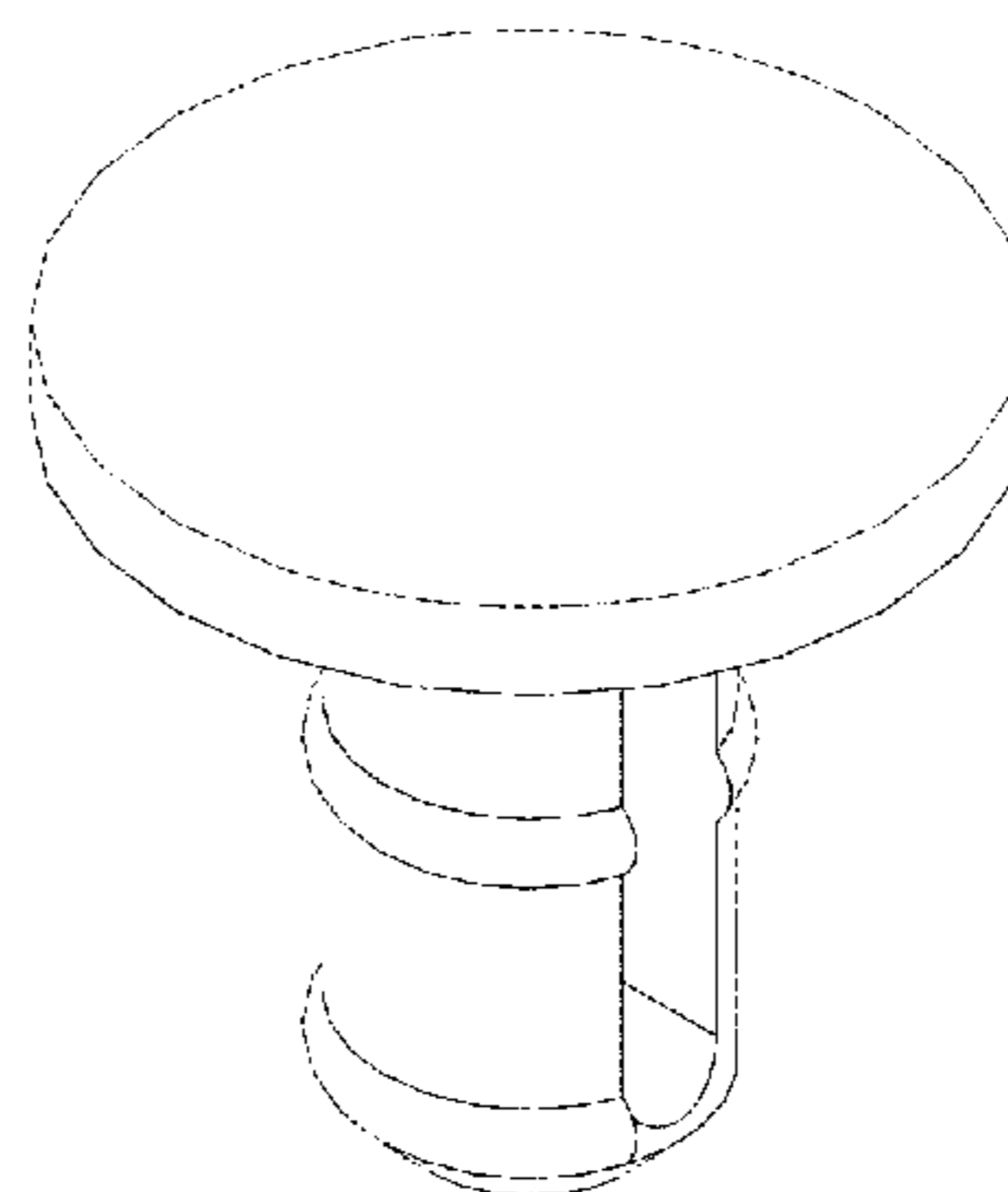
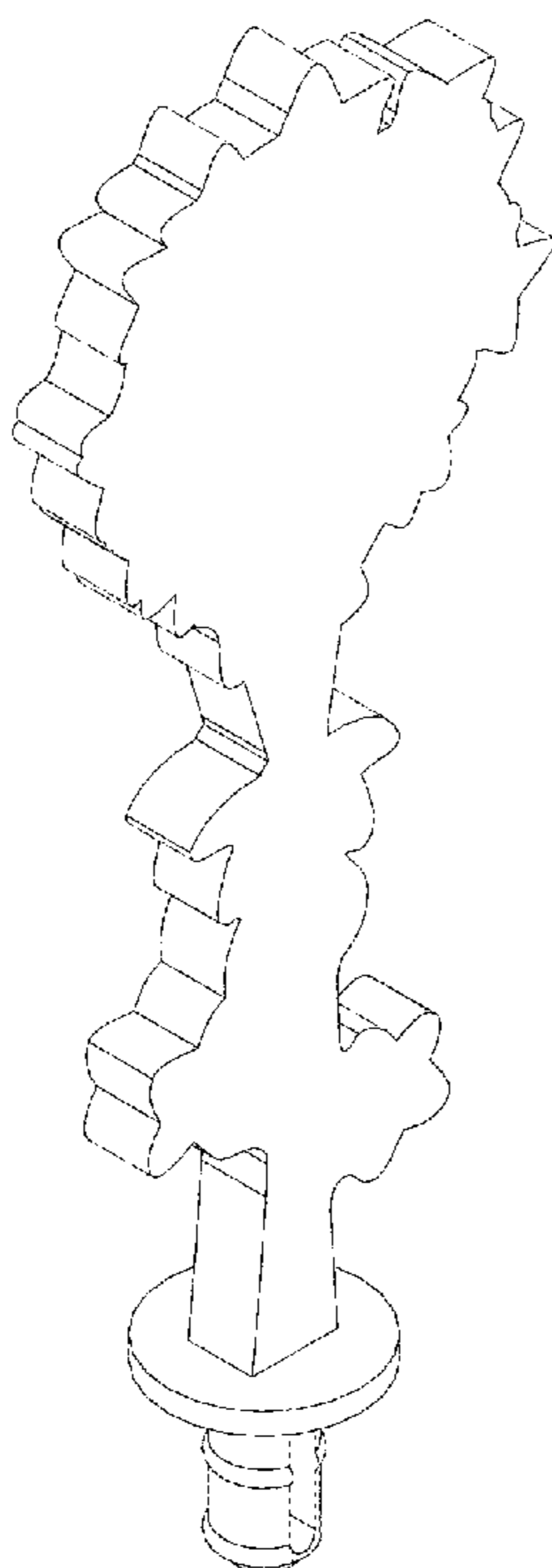
(57) **CLAIM**

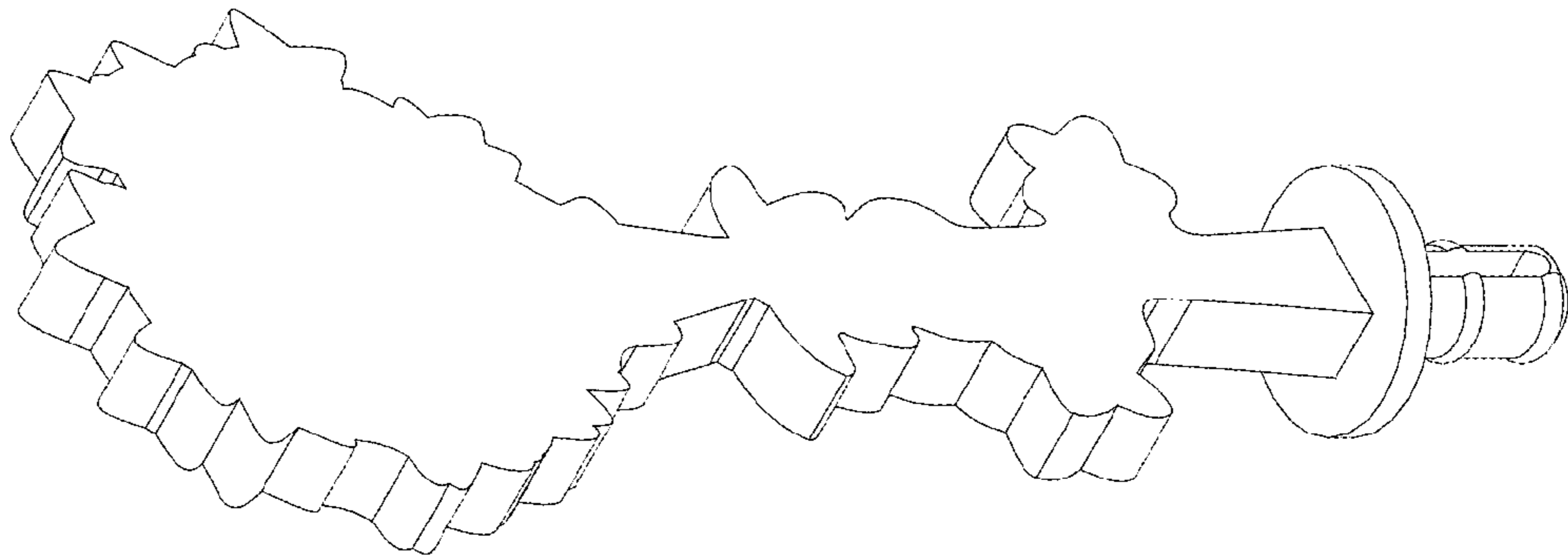
The ornamental design for a flower for use with a toy playset, as shown and described.

**DESCRIPTION**

FIG. 1 is a top perspective view showing a flower for use with a toy playset;  
 FIG. 2 is a front side view of FIG. 1;  
 FIG. 3 is a back side view of FIG. 1;  
 FIG. 4 is a right side view of FIG. 1;  
 FIG. 5 is a left side view of FIG. 1;  
 FIG. 6 is a top side view of FIG. 1;  
 FIG. 7 is a bottom side view of FIG. 1;  
 FIG. 8 is a top perspective view of the connector plug for the flower for use with a toy playset in FIG. 1, shown separately for the clarity of illustration;  
 FIG. 9 is a front side view of FIG. 8;  
 FIG. 10 is a back side view of FIG. 8;  
 FIG. 11 is a right side view of FIG. 8;  
 FIG. 12 is a left side view of FIG. 8;  
 FIG. 13 is a top side view of FIG. 8; and,  
 FIG. 14 is a bottom side view of FIG. 8.

**1 Claim, 14 Drawing Sheets**





**FIGURE 1**

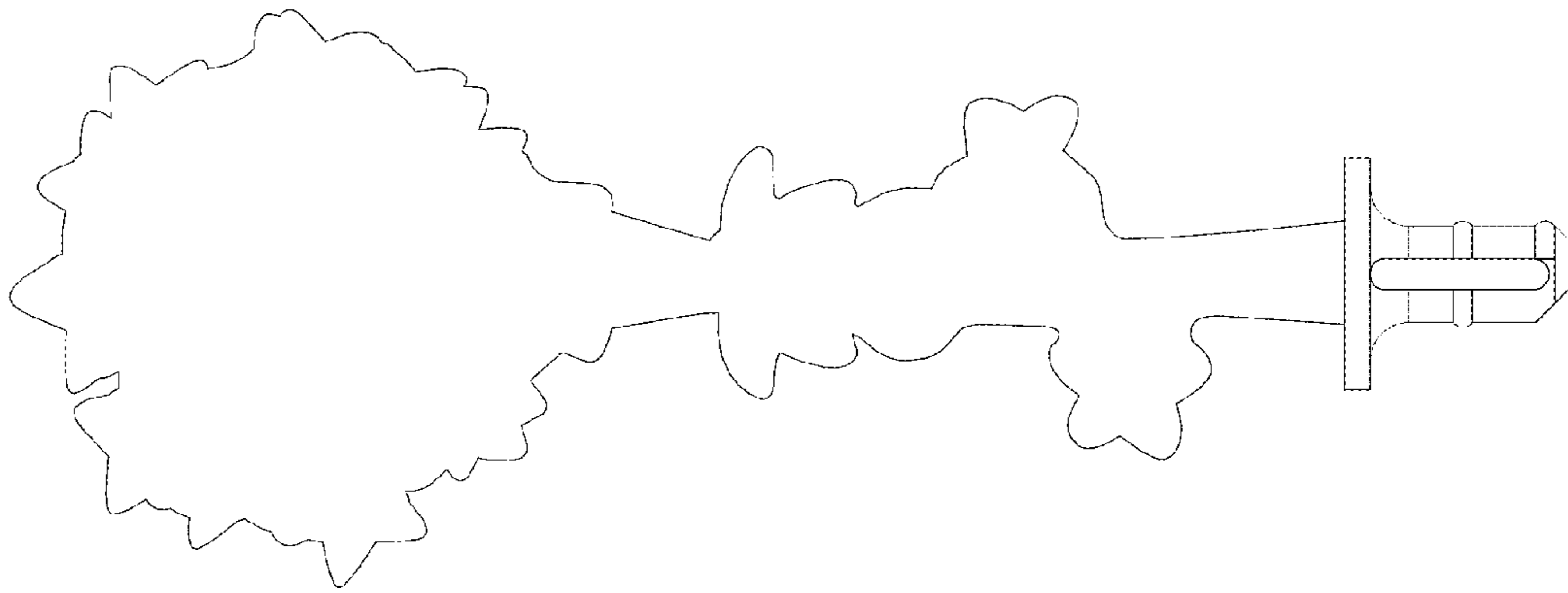
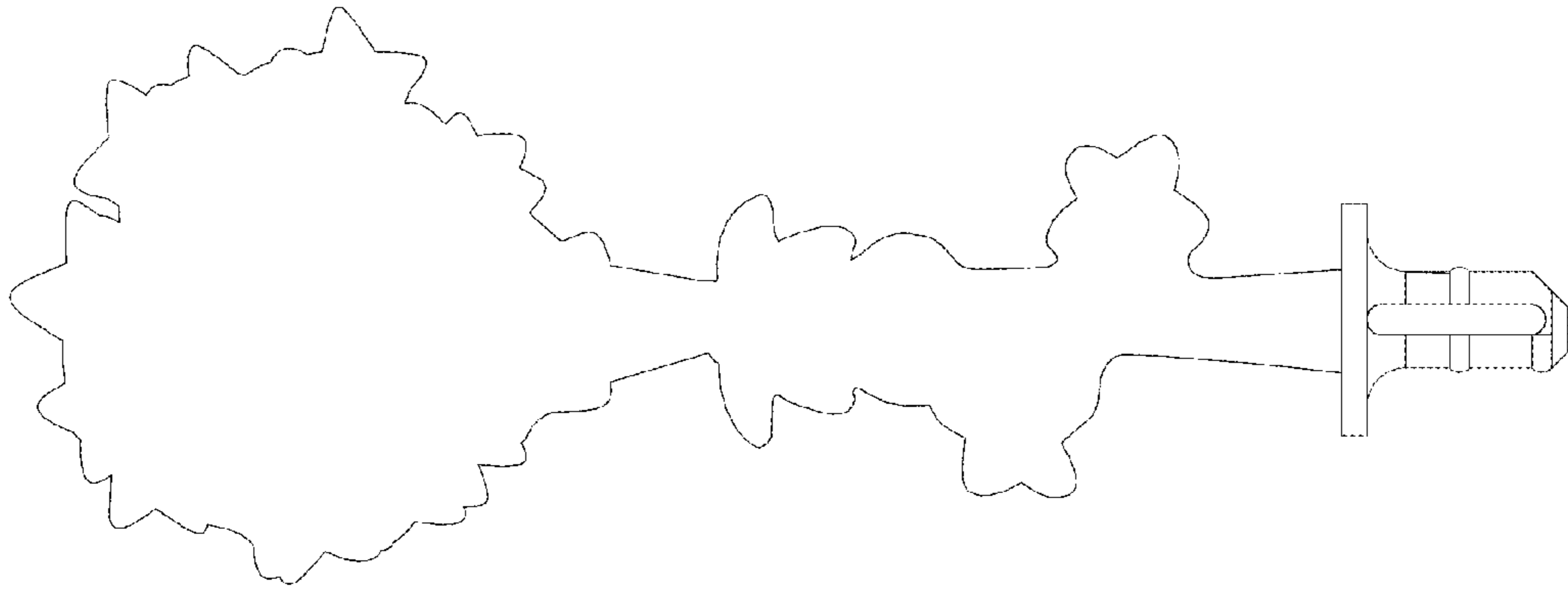


FIGURE 2



**FIGURE 3**

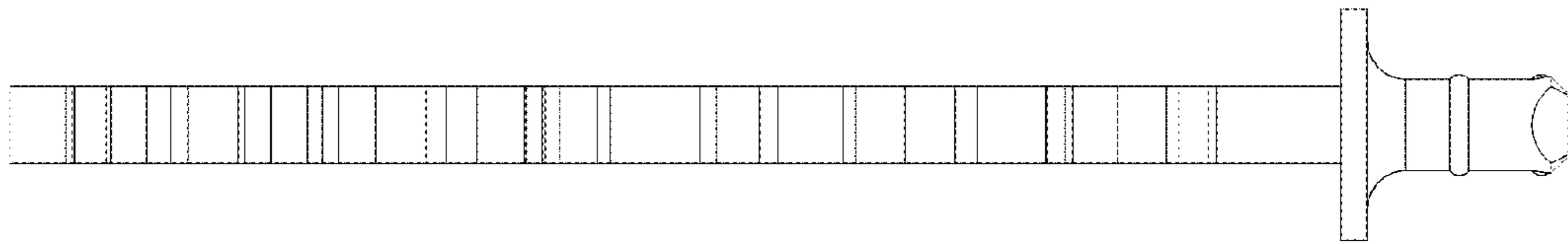
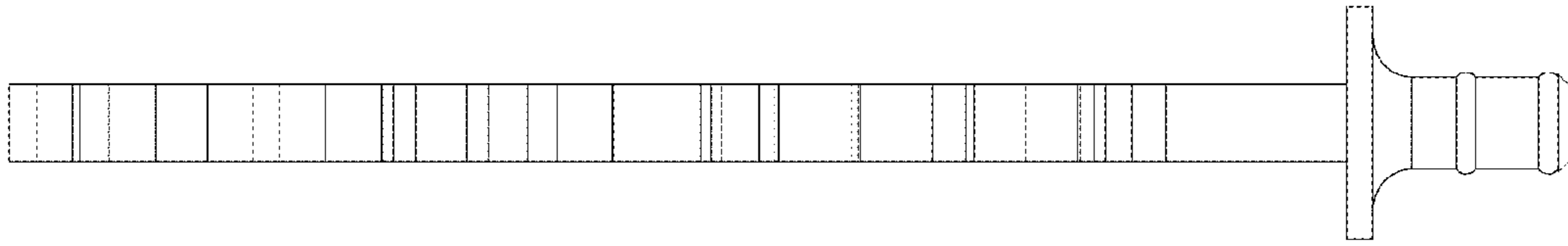


FIGURE 4



**FIGURE 5**

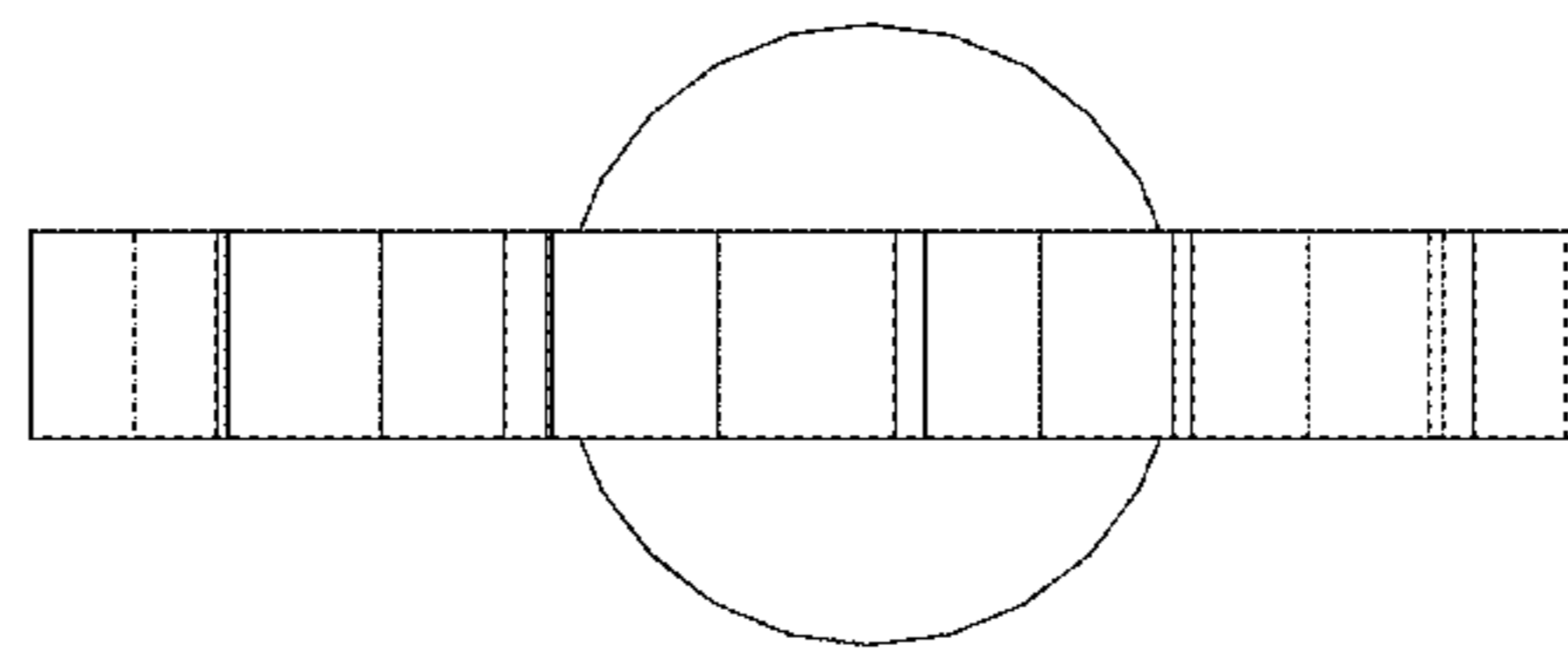
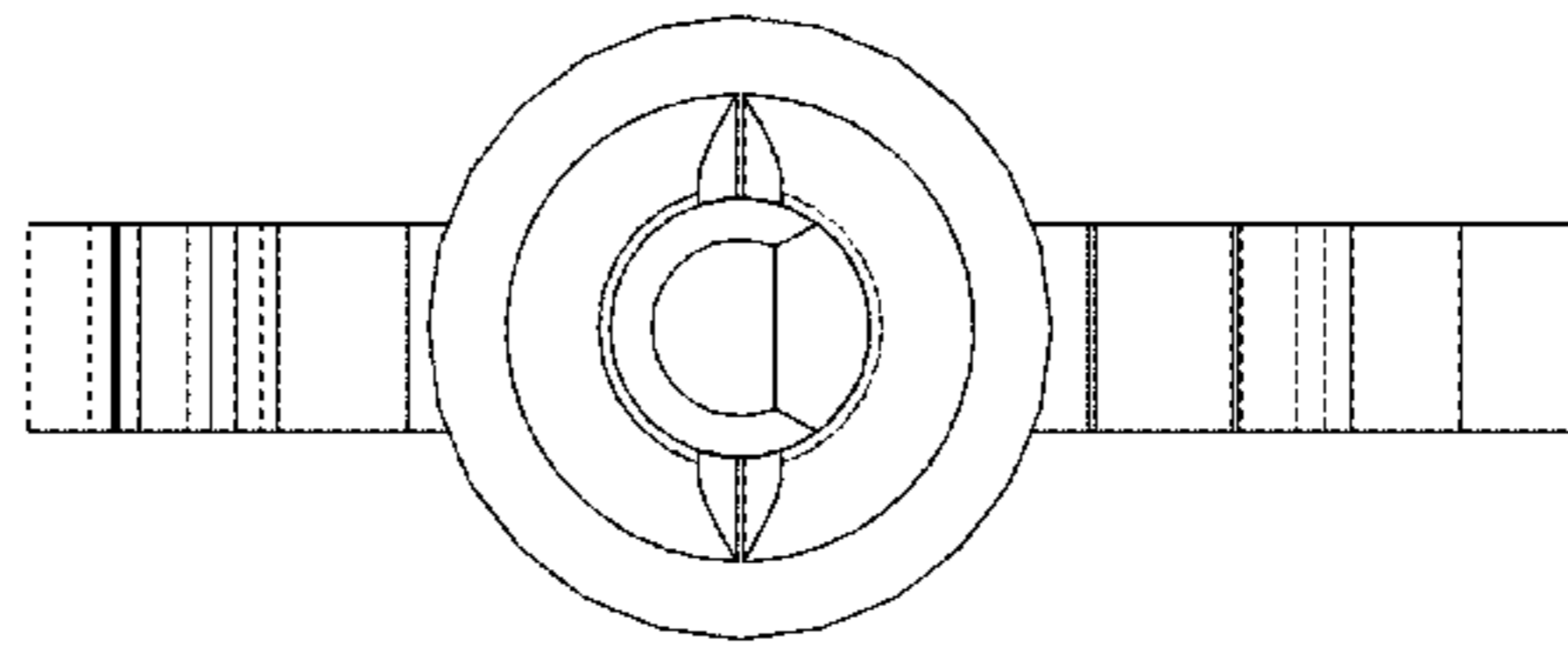
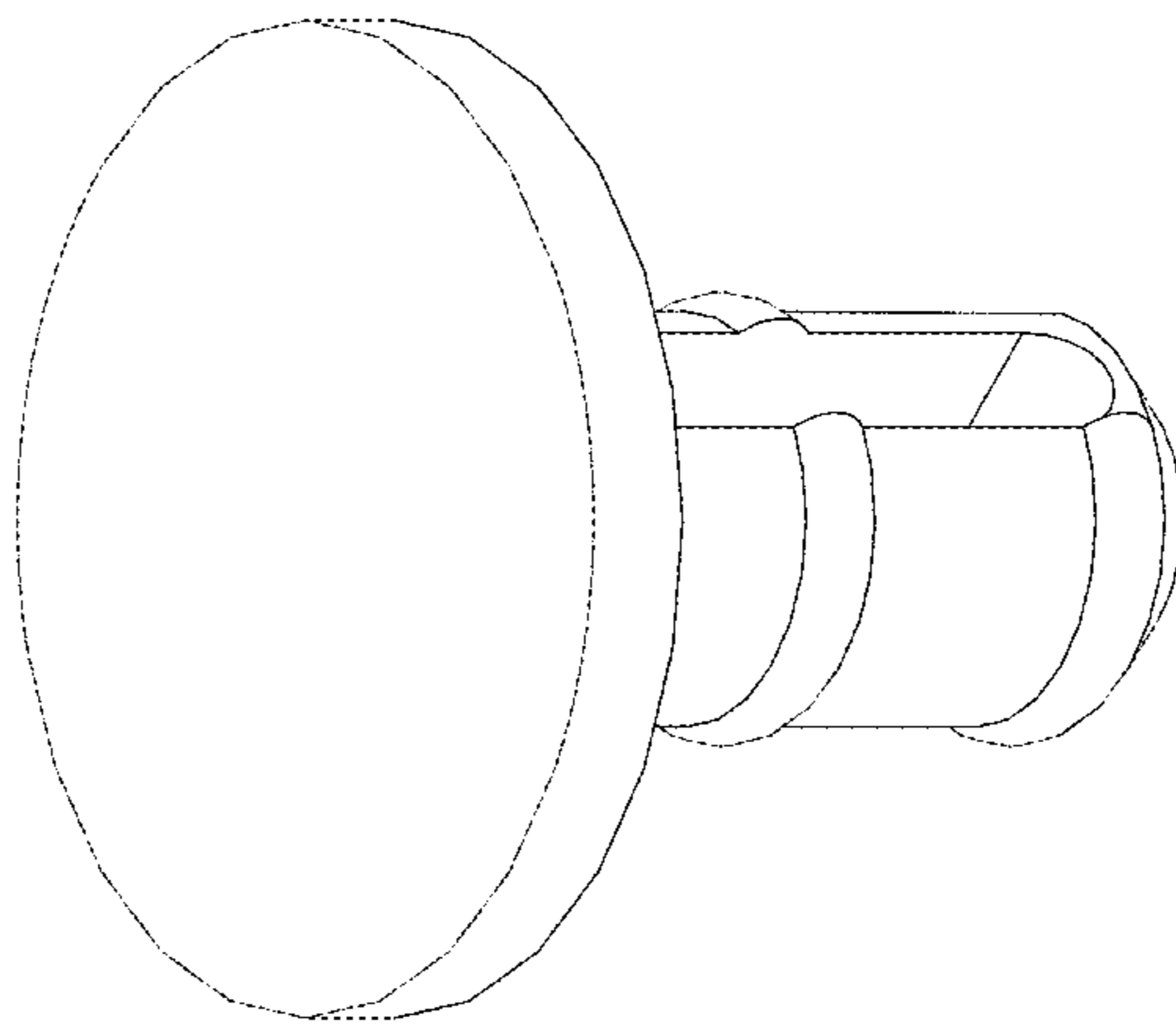


FIGURE 6



**FIGURE 7**





**FIGURE 8**

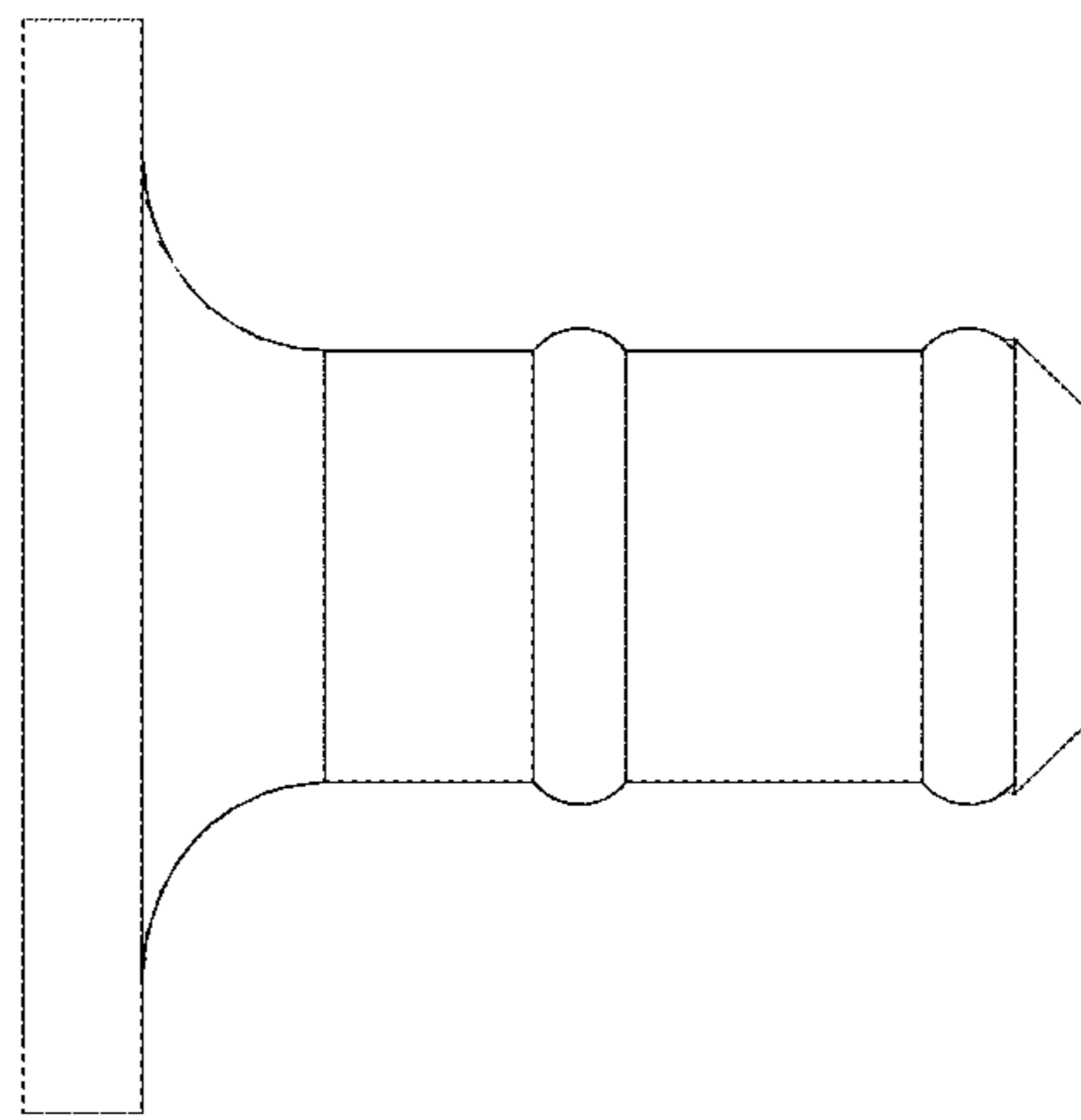


FIGURE 9

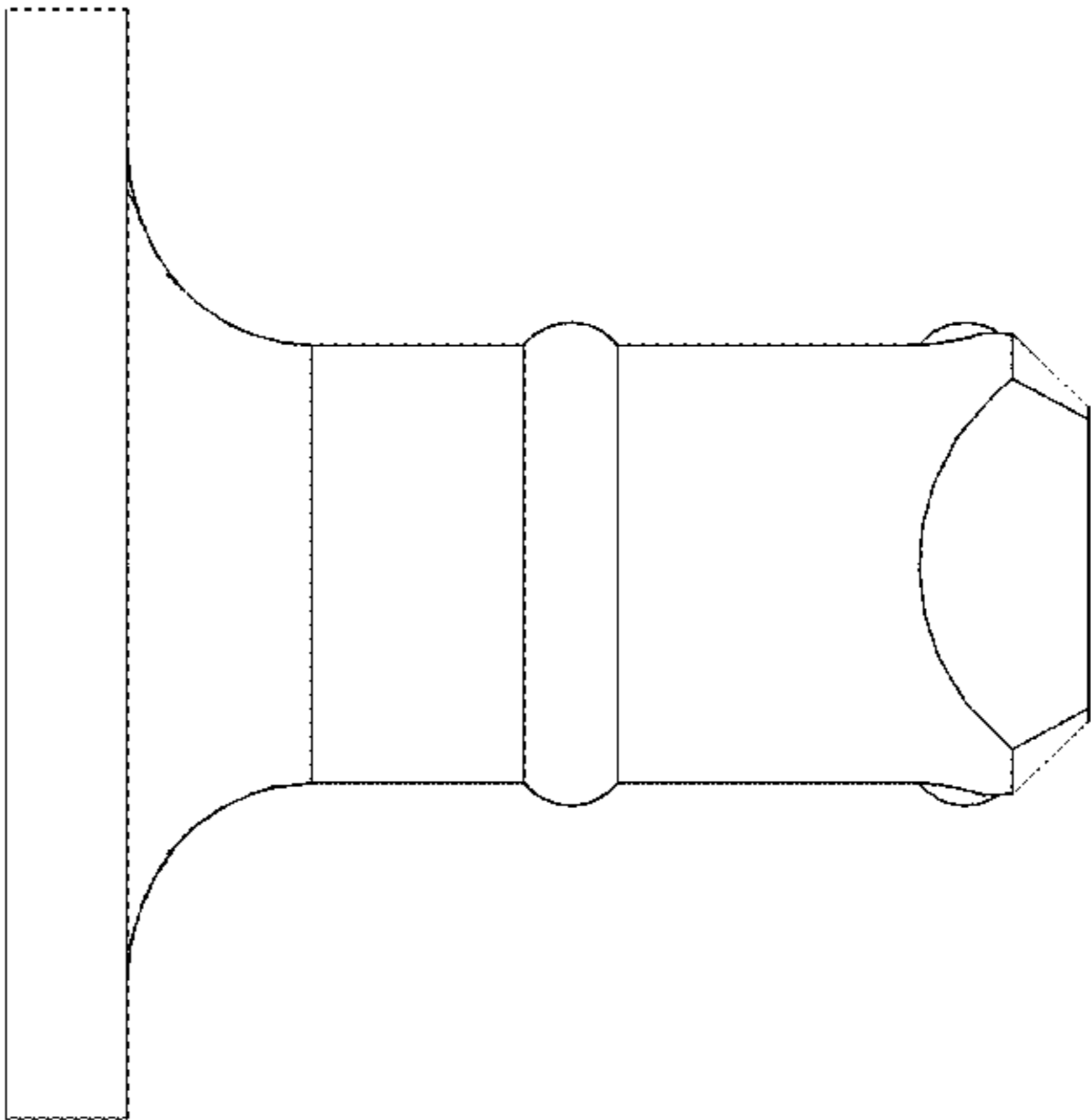
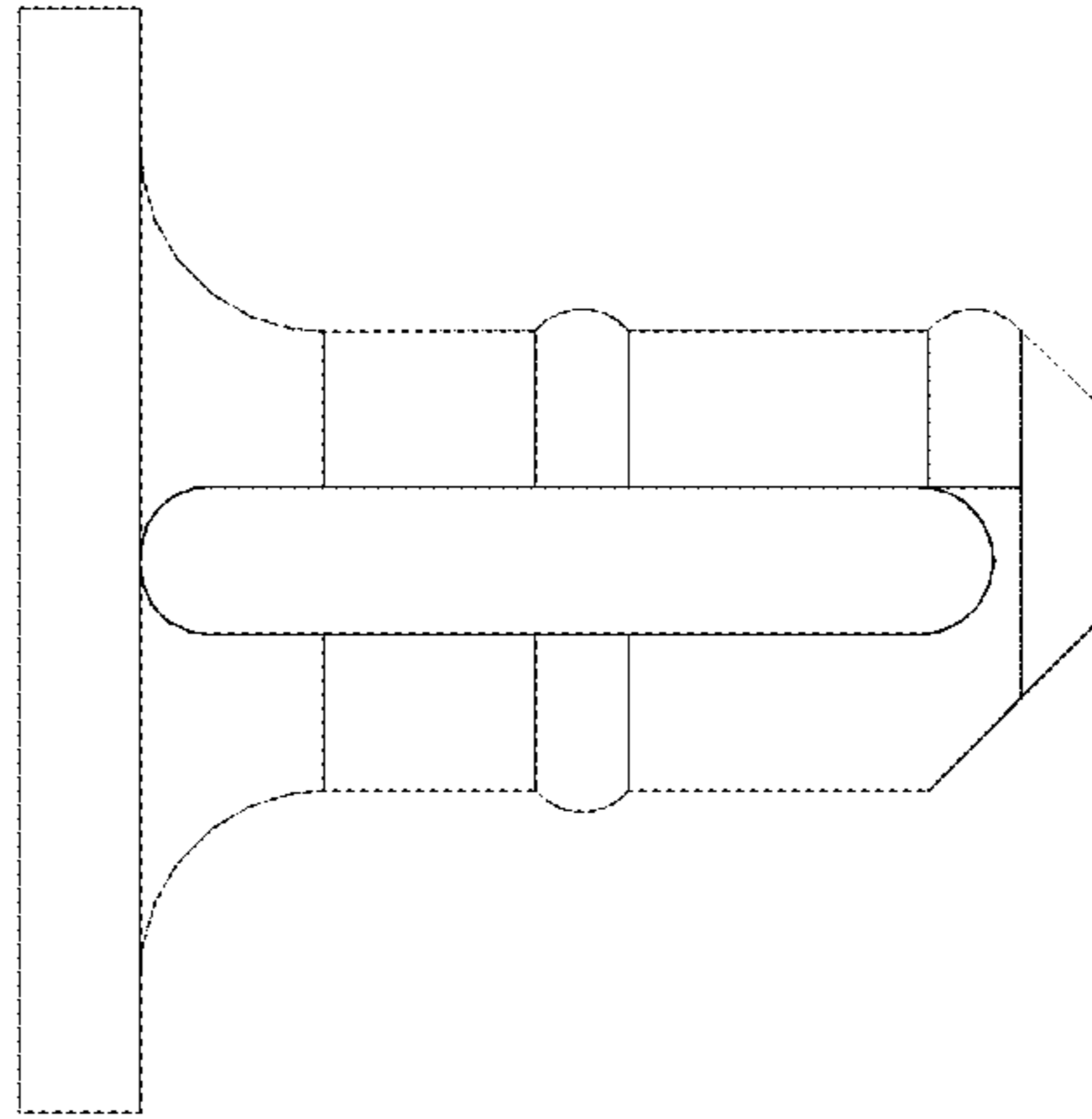
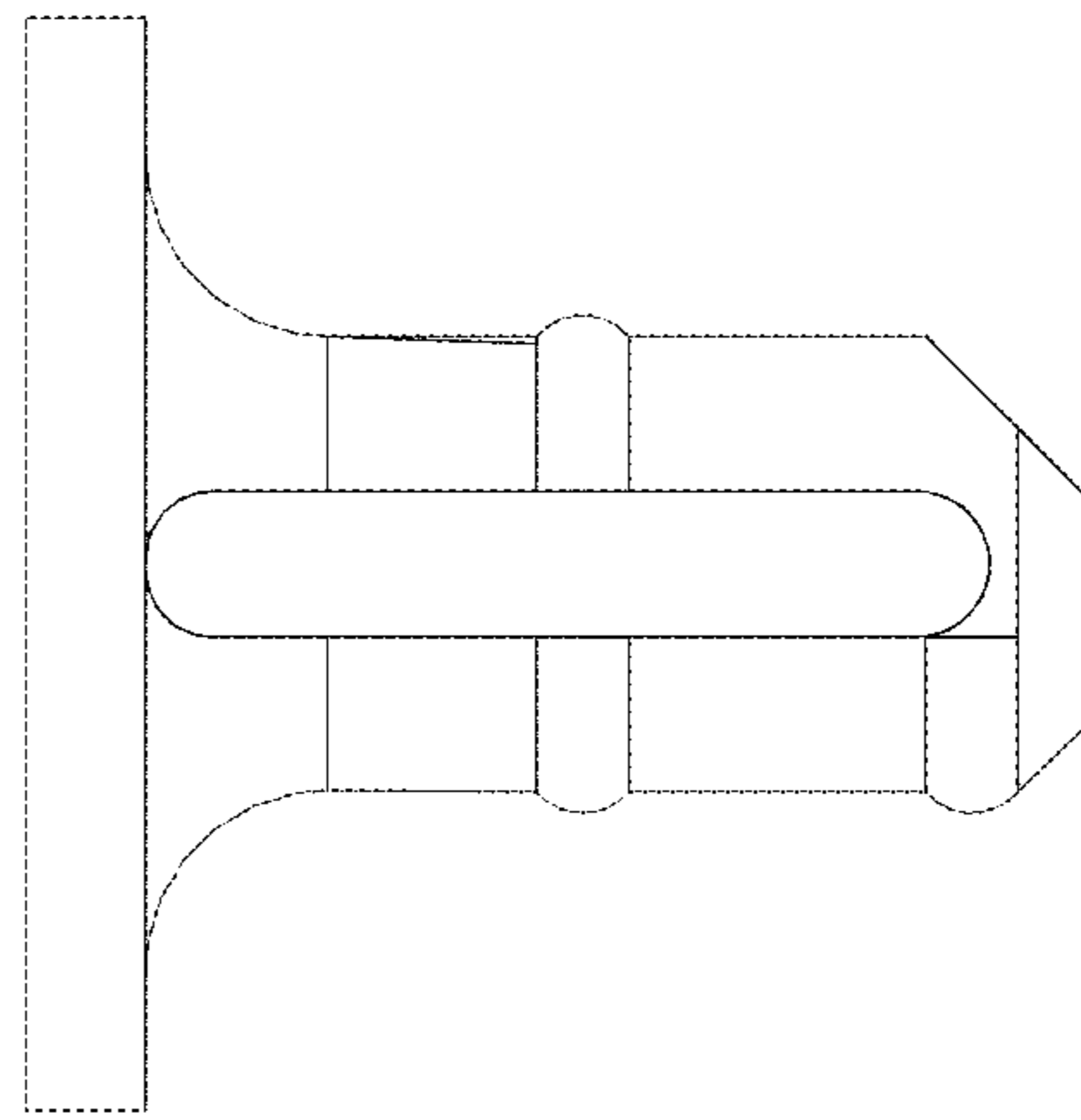


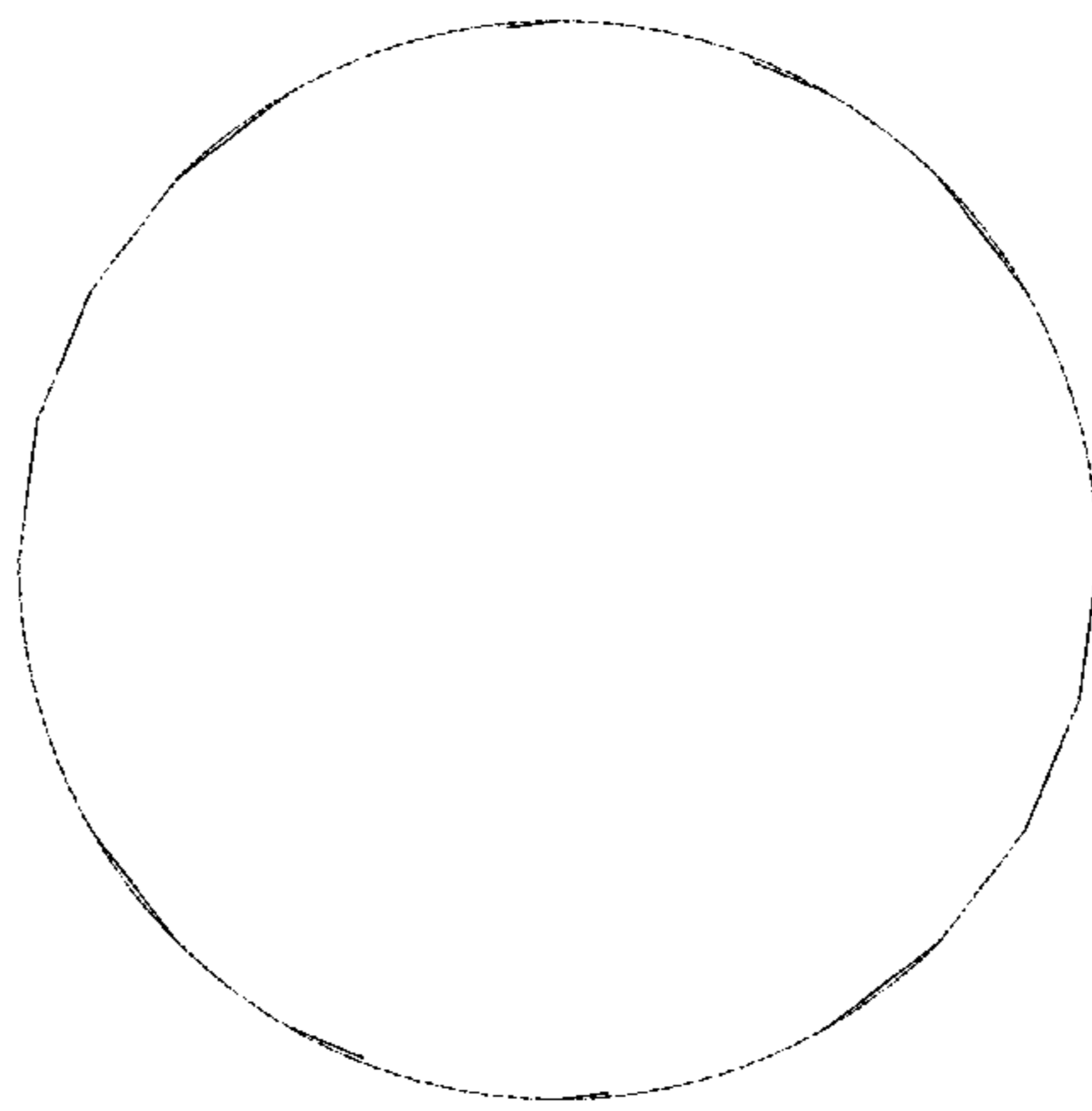
FIGURE 10



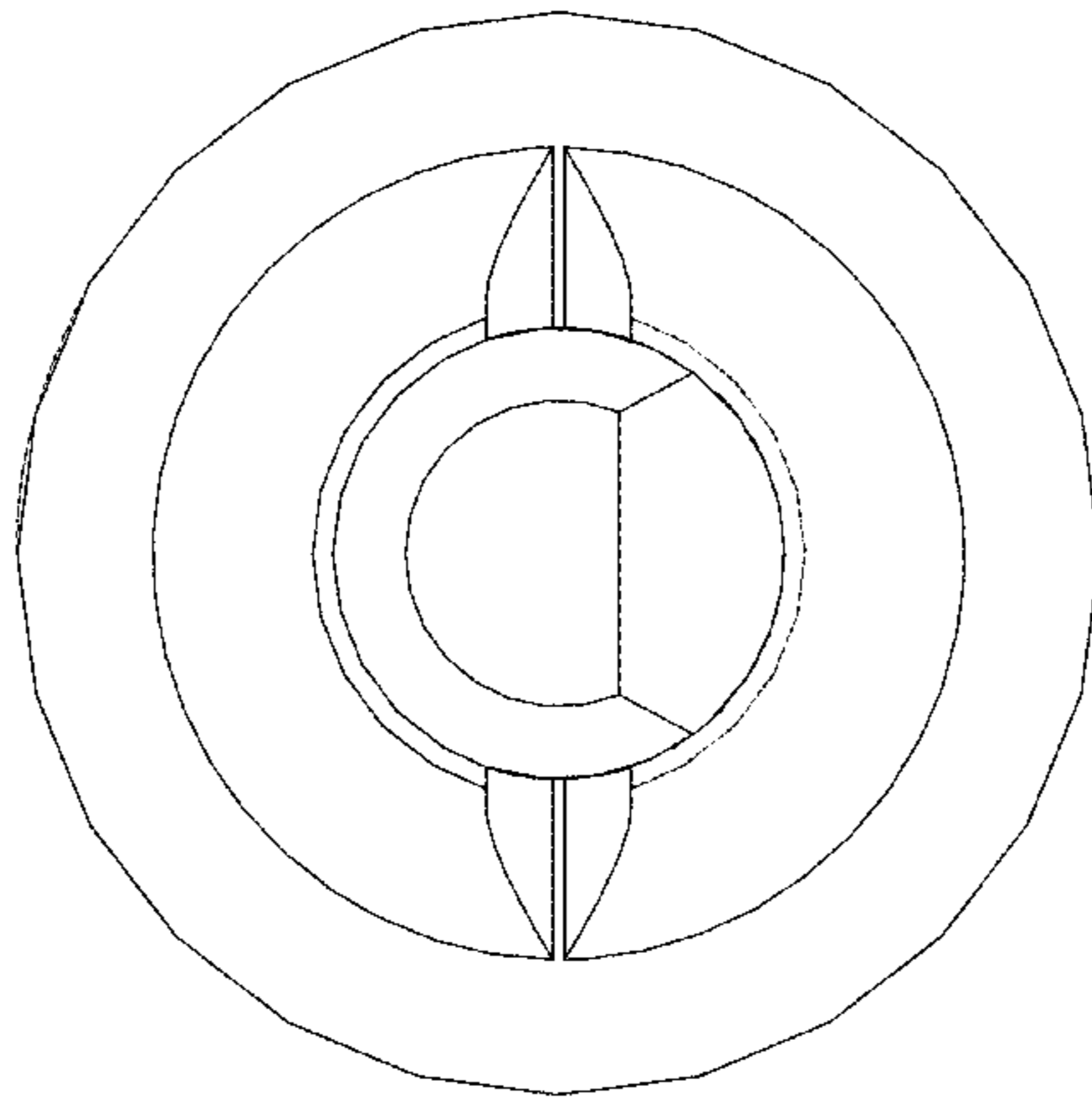
**FIGURE 11**



**FIGURE 12**



**FIGURE 13**



**FIGURE 14**