



US00D684217S

(12) **United States Design Patent**
Hadley

(10) **Patent No.:** **US D684,217 S**
(45) **Date of Patent:** **** Jun. 11, 2013**

(54) **SCOOTER**

(75) Inventor: **Robert Hadley**, Yorba Linda, CA (US)

(73) Assignee: **Razor USA LLC**, Cerritos, CA (US)

(**) Term: **14 Years**

(21) Appl. No.: **29/411,849**

(22) Filed: **Jan. 26, 2012**

(51) **LOC (9) Cl.** **21-01**

(52) **U.S. Cl.**
USPC **D21/423**

(58) **Field of Classification Search**
USPC D21/419, 421, 423, 426, 769, 760,
D21/765, 771, 803; D12/1, 8; 280/14.21,
280/14.25, 14.26, 87.041, 87.042, 263, 288.1,
280/288.2, 288.4, 200, 214, 809; 180/180,
180/181

See application file for complete search history.

(56) **References Cited**

U.S. PATENT DOCUMENTS

D435,873 S * 1/2001 Lee D21/423
D435,874 S * 1/2001 Cheng D21/423

D438,911 S * 3/2001 Chen D21/423
6,378,880 B1 * 4/2002 Lin 280/87.05
D463,508 S * 9/2002 Stroppiana D21/423
D556,838 S * 12/2007 Ming D21/423
D671,600 S * 11/2012 Horne D21/423

* cited by examiner

Primary Examiner — Cynthia M Chin

(74) *Attorney, Agent, or Firm* — Knobbe, Martens, Olson & Bear, LLP

(57) **CLAIM**

The ornamental design for a scooter, as shown and described.

DESCRIPTION

FIG. 1 is a perspective view showing top, left and rear sides of a scooter.

FIG. 2 is a left side view of the scooter of FIG. 1.

FIG. 3 is a right side view of the scooter of FIG. 1.

FIG. 4 is a front view of the scooter of FIG. 1.

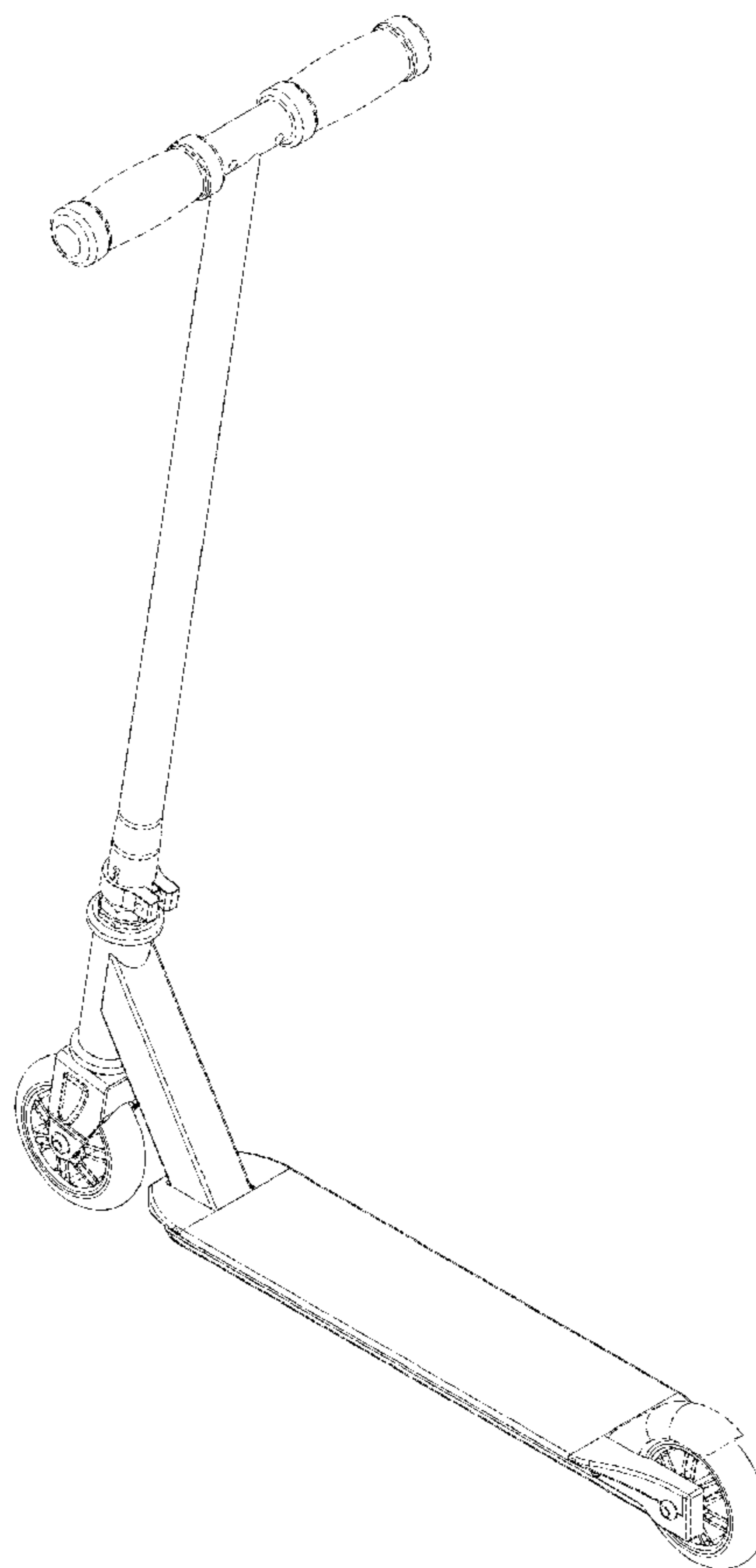
FIG. 5 is a rear view of the scooter of FIG. 1.

FIG. 6 is a top view of the scooter of FIG. 1; and,

FIG. 7 is a bottom view of the scooter of FIG. 1.

Where utilized, the broken lines show portions of the scooter that form no part of the claimed design.

1 Claim, 5 Drawing Sheets



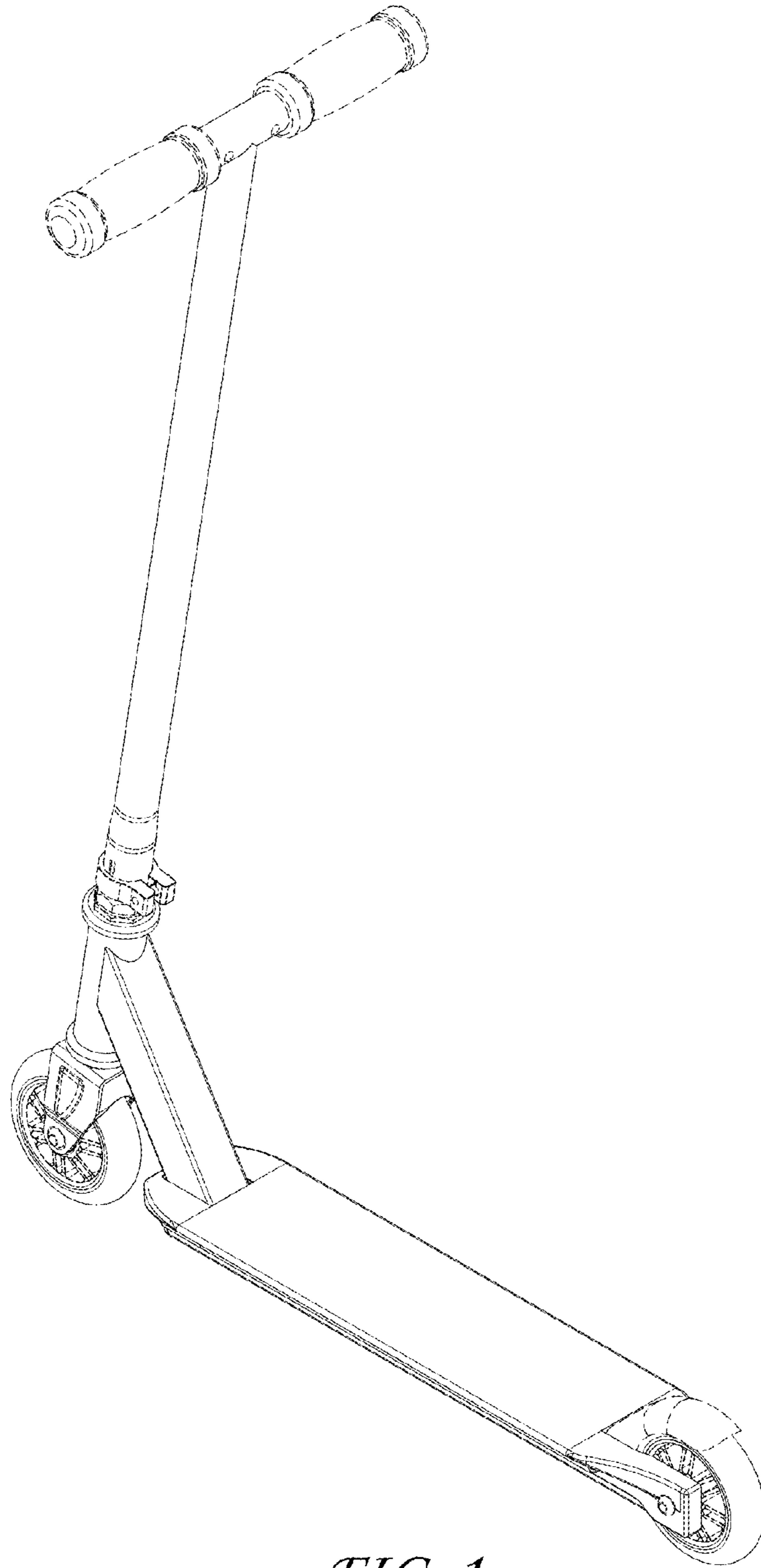


FIG. 1

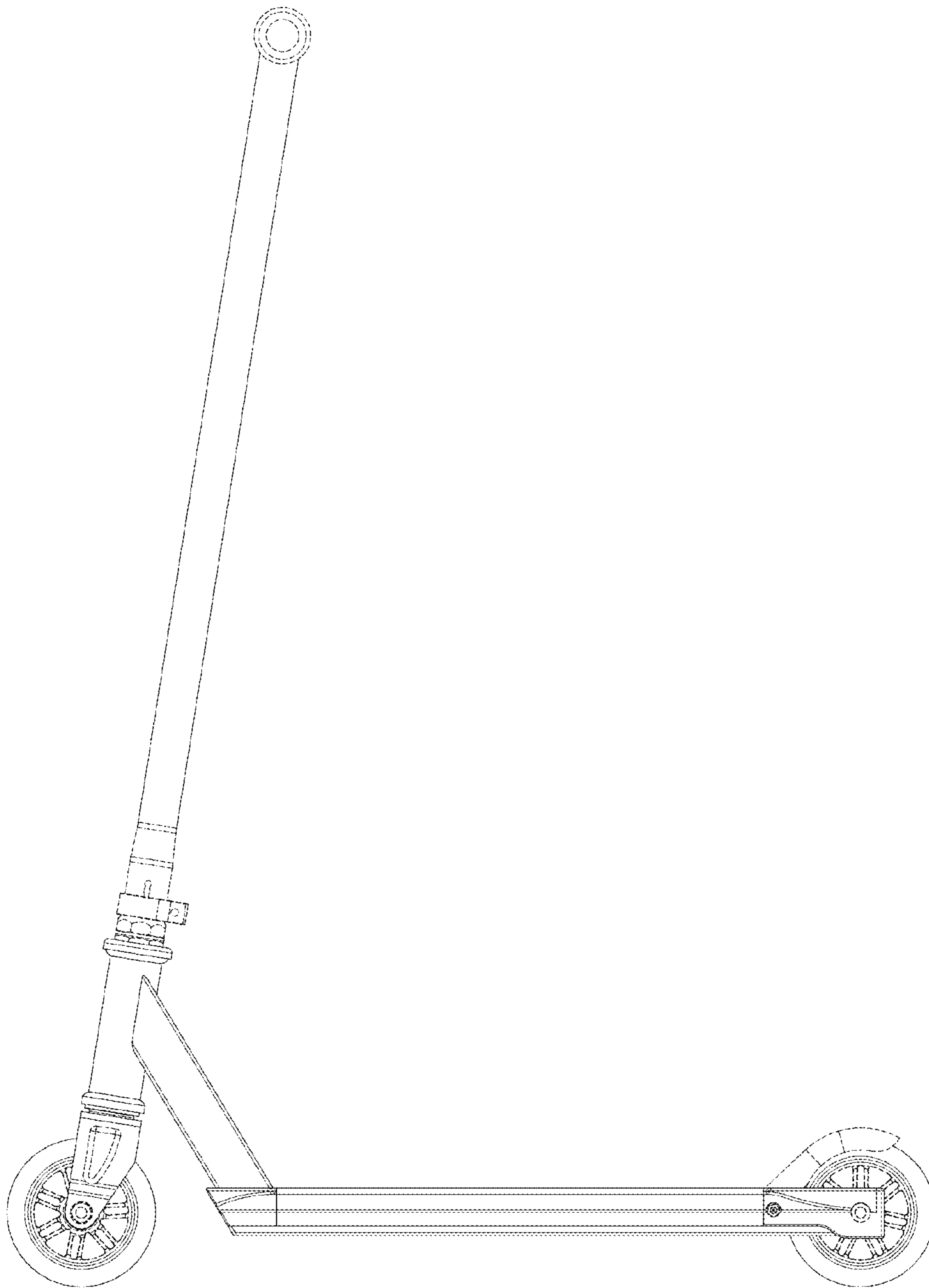


FIG. 2

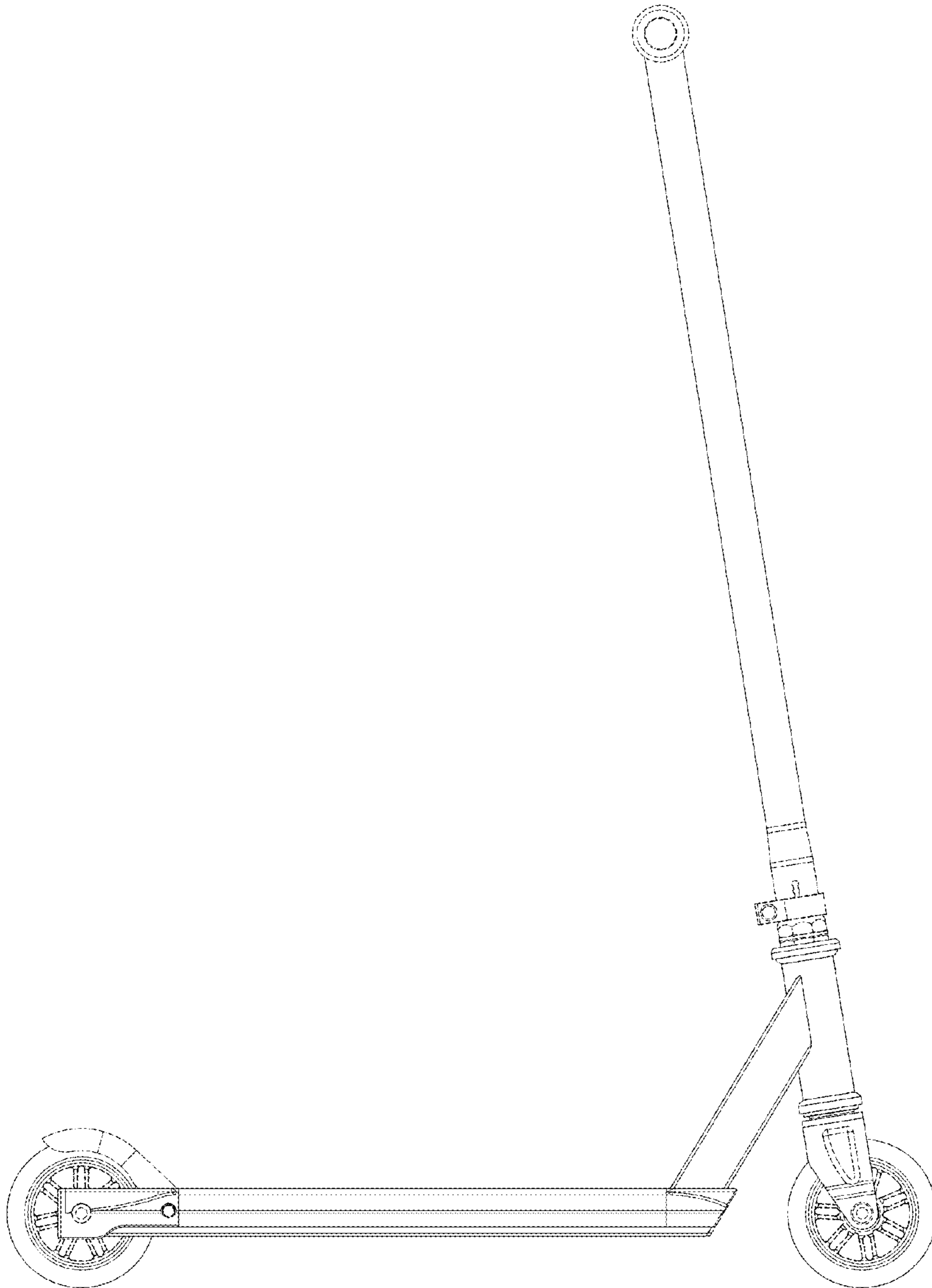


FIG. 3

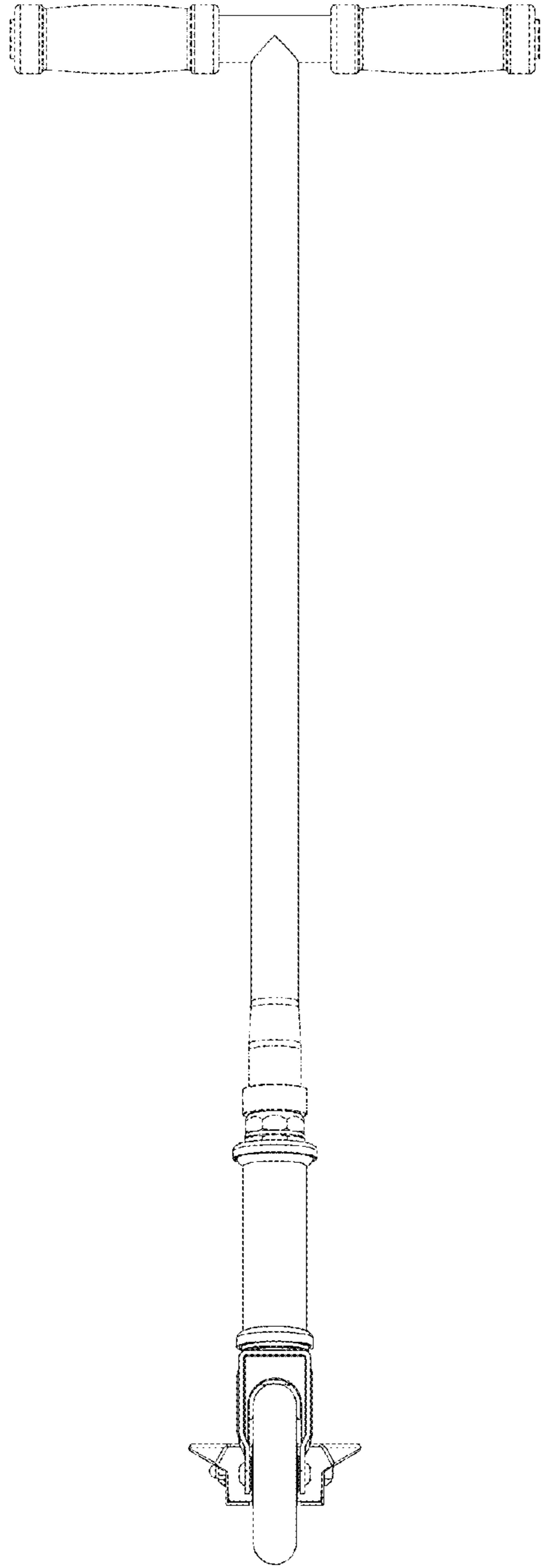


FIG. 4

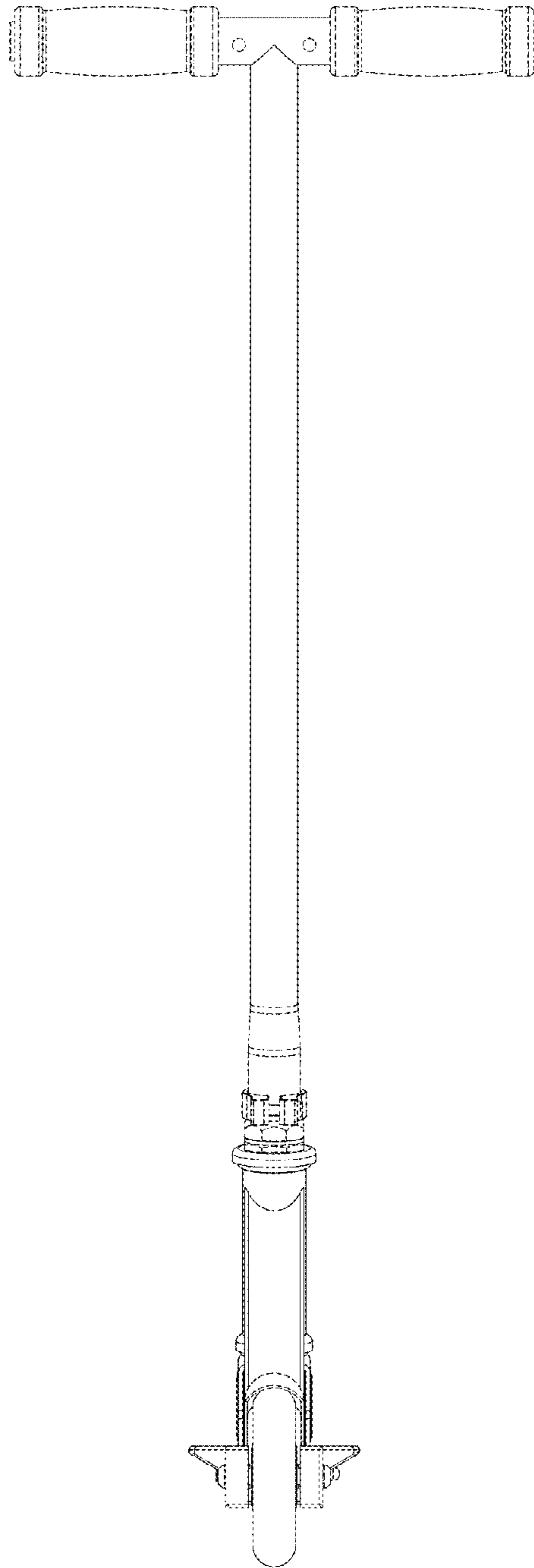


FIG. 5

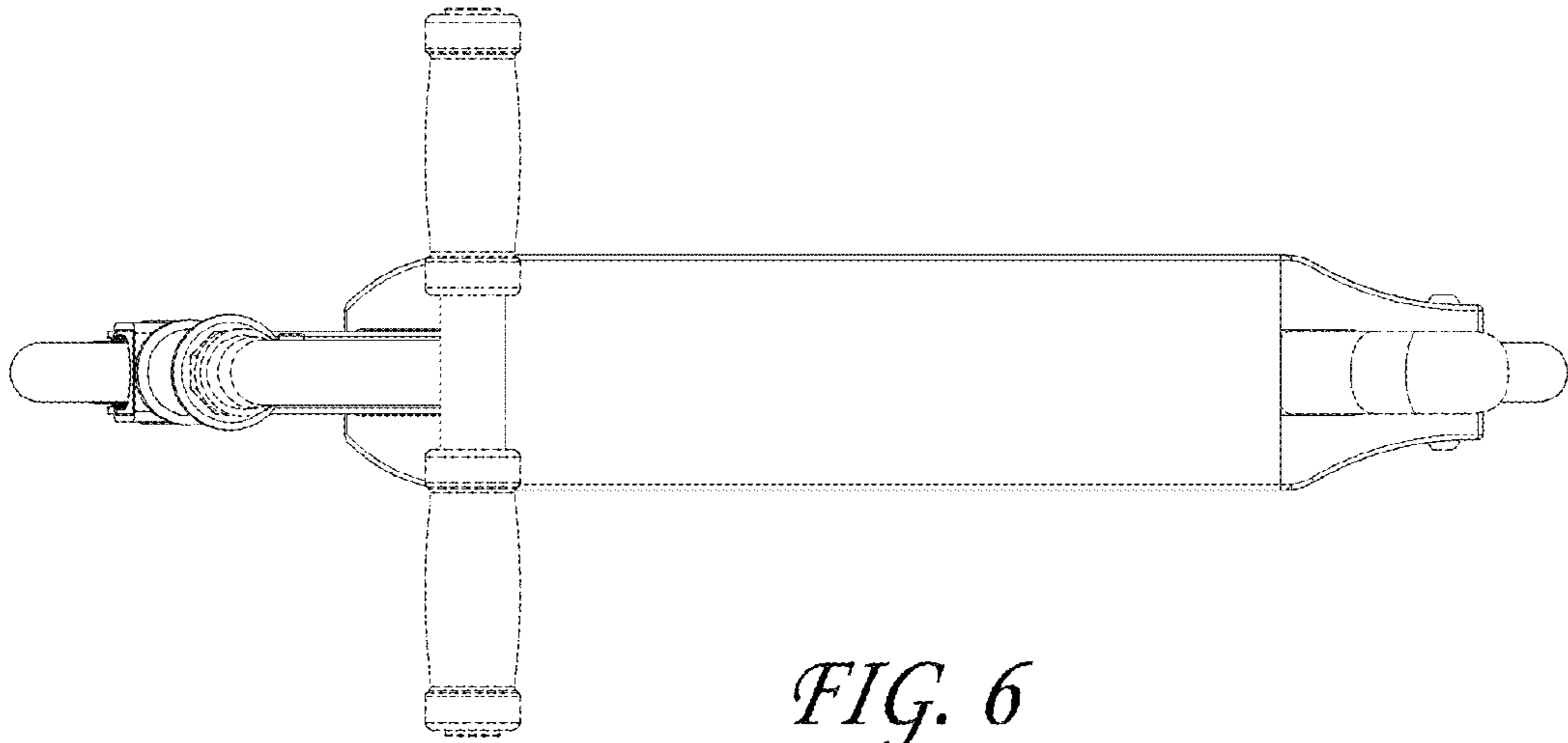


FIG. 6

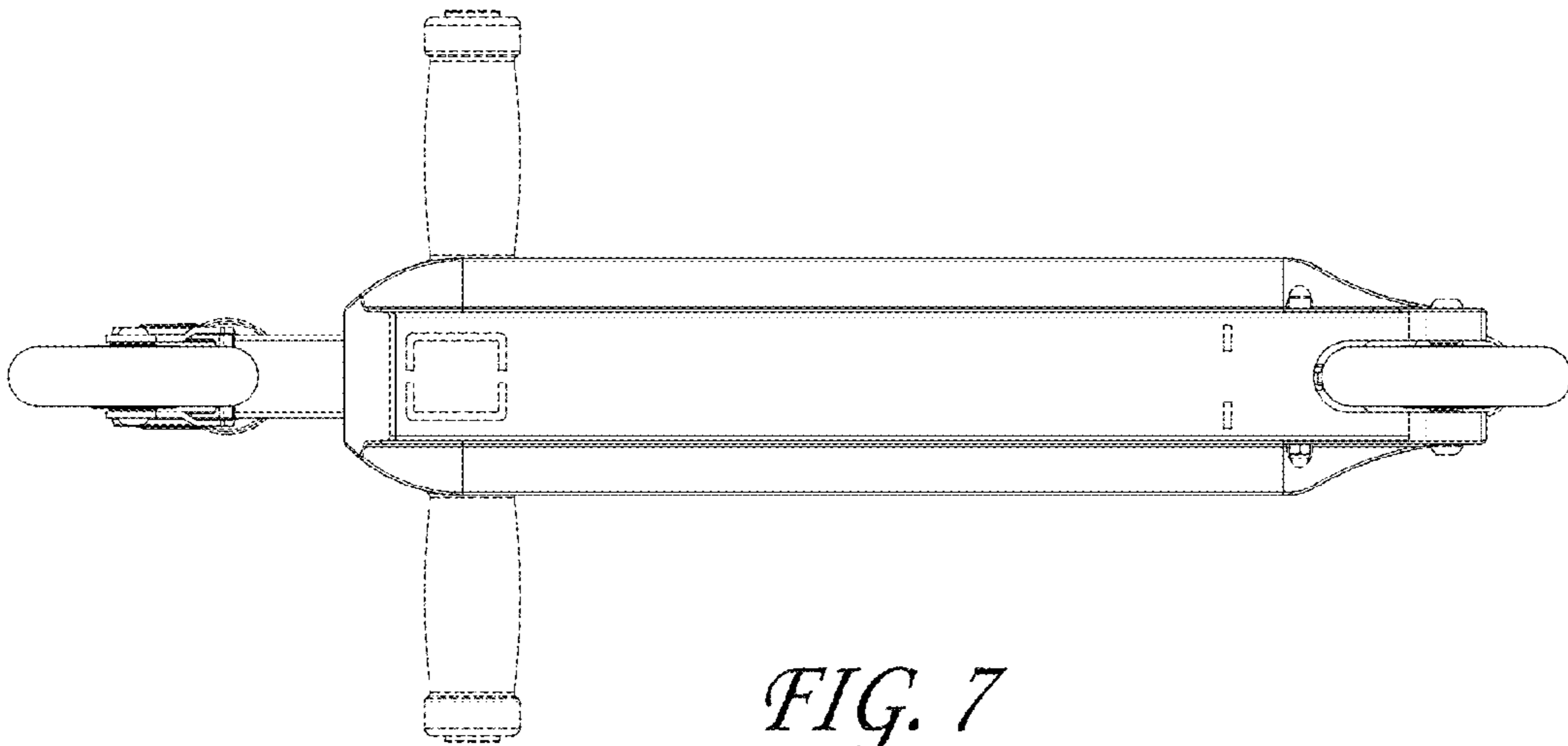


FIG. 7