



US00D684216S

(12) **United States Design Patent**
Terpstra et al.

(10) **Patent No.:** **US D684,216 S**
(45) **Date of Patent:** **** Jun. 11, 2013**

(54) **TRIM FOR GAMING MACHINE**

(56) **References Cited**

(75) Inventors: **Lee M. Terpstra**, Fort Lauderdale, FL (US); **Ryan D. McComb**, Grand Rapids, MI (US); **Brian R. Soules**, Newygo, MI (US)

U.S. PATENT DOCUMENTS

D495,754	S	*	9/2004	Wurz et al.	D21/370
D495,755	S	*	9/2004	Wurz et al.	D21/370
D508,268	S	*	8/2005	Hanchar et al.	D21/369
D566,197	S	*	4/2008	Greenberg et al.	D21/370
2009/0275389	A1	*	11/2009	Englman et al.	463/20

(73) Assignee: **Patent Rights Protection Group, LLC**, Las Vegas, NV (US)

* cited by examiner

(**) Term: **14 Years**

Primary Examiner — Sandra Morris

(21) Appl. No.: **29/405,904**

(74) *Attorney, Agent, or Firm* — Dickinson Wright PLLC

(22) Filed: **Nov. 8, 2011**

(57) **CLAIM**

The ornamental design for a trim for gaming machine, as shown and described.

Related U.S. Application Data

(63) Continuation of application No. 29/382,124, filed on Dec. 29, 2010, now Pat. No. Des. 649,605.

(51) **LOC (9) Cl.** **21-03**

(52) **U.S. Cl.**
USPC **D21/370; D21/385**

(58) **Field of Classification Search**
USPC D21/324–331, 369–371, 385; 273/274, 273/292; 463/16–17, 20, 31, 46–47

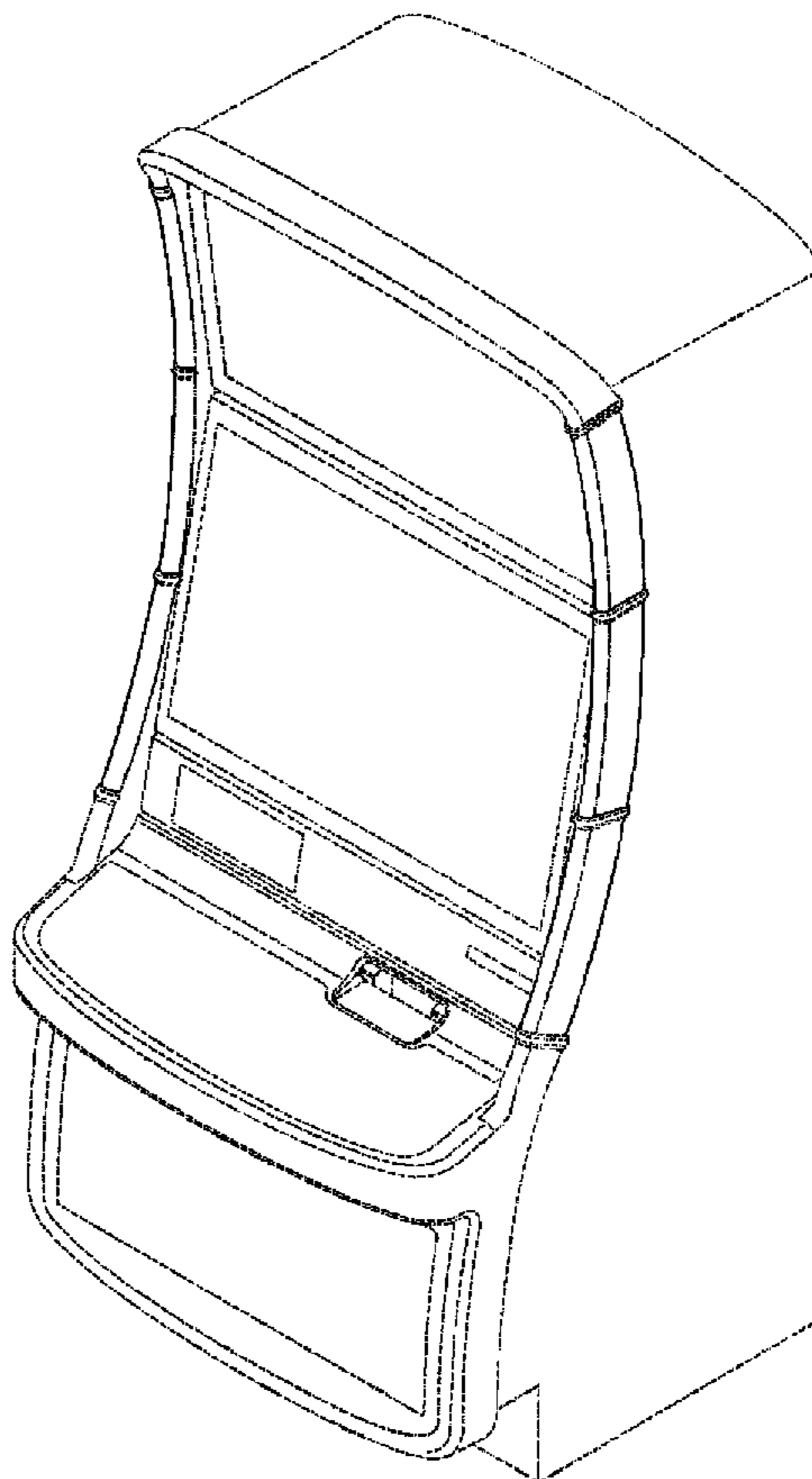
See application file for complete search history.

DESCRIPTION

FIG. 1 is an isometric view of the trim for gaming machine, showing our new design;
FIG. 2 is a front elevational view;
FIG. 3 is a right elevational view; and,
FIG. 4 is a left elevational view.

The dashed lines in the figures show the environment of the present design and are not part of the present design. The portions of the article that are not shown in the drawings form no part of the claimed design.

1 Claim, 4 Drawing Sheets



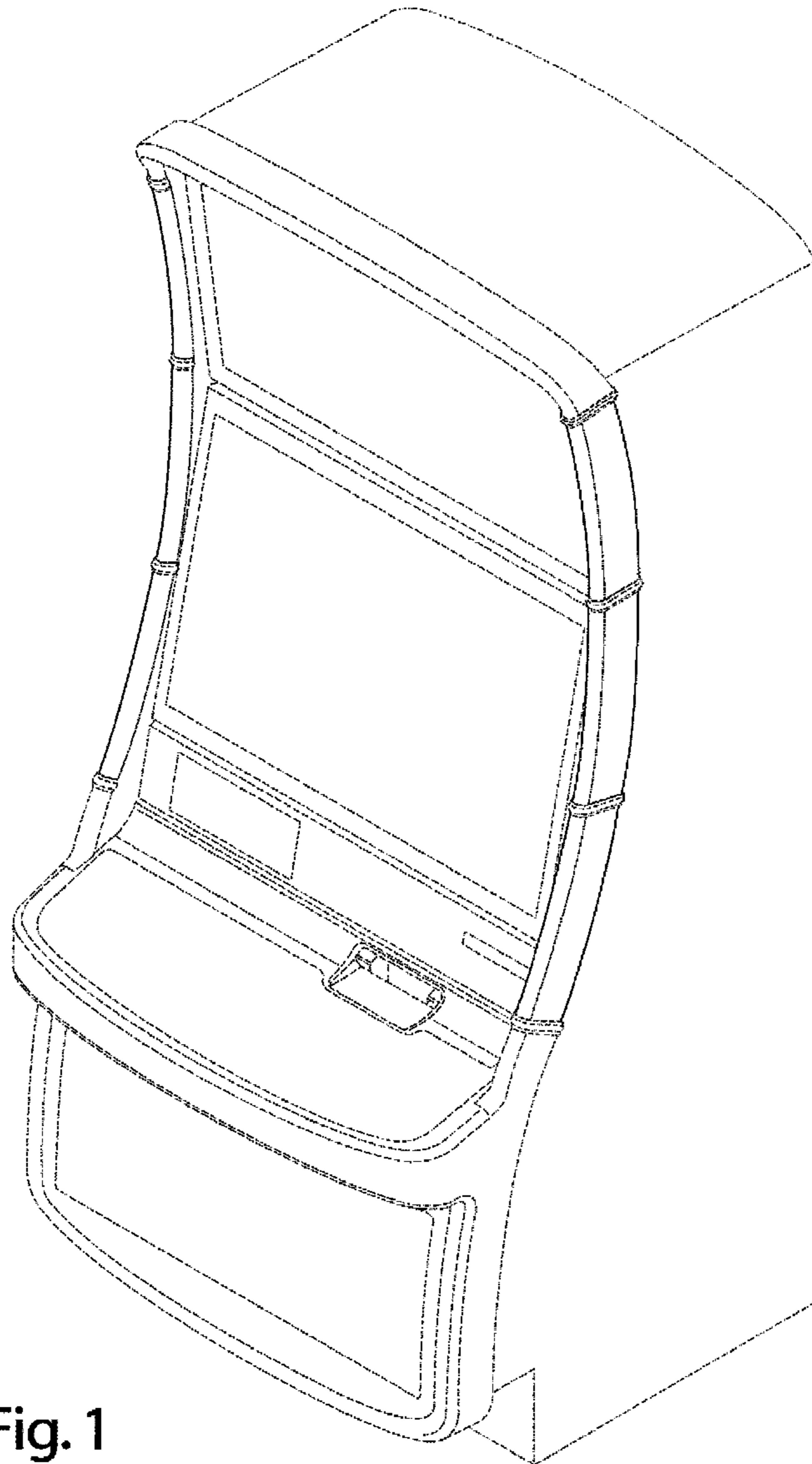


Fig. 1

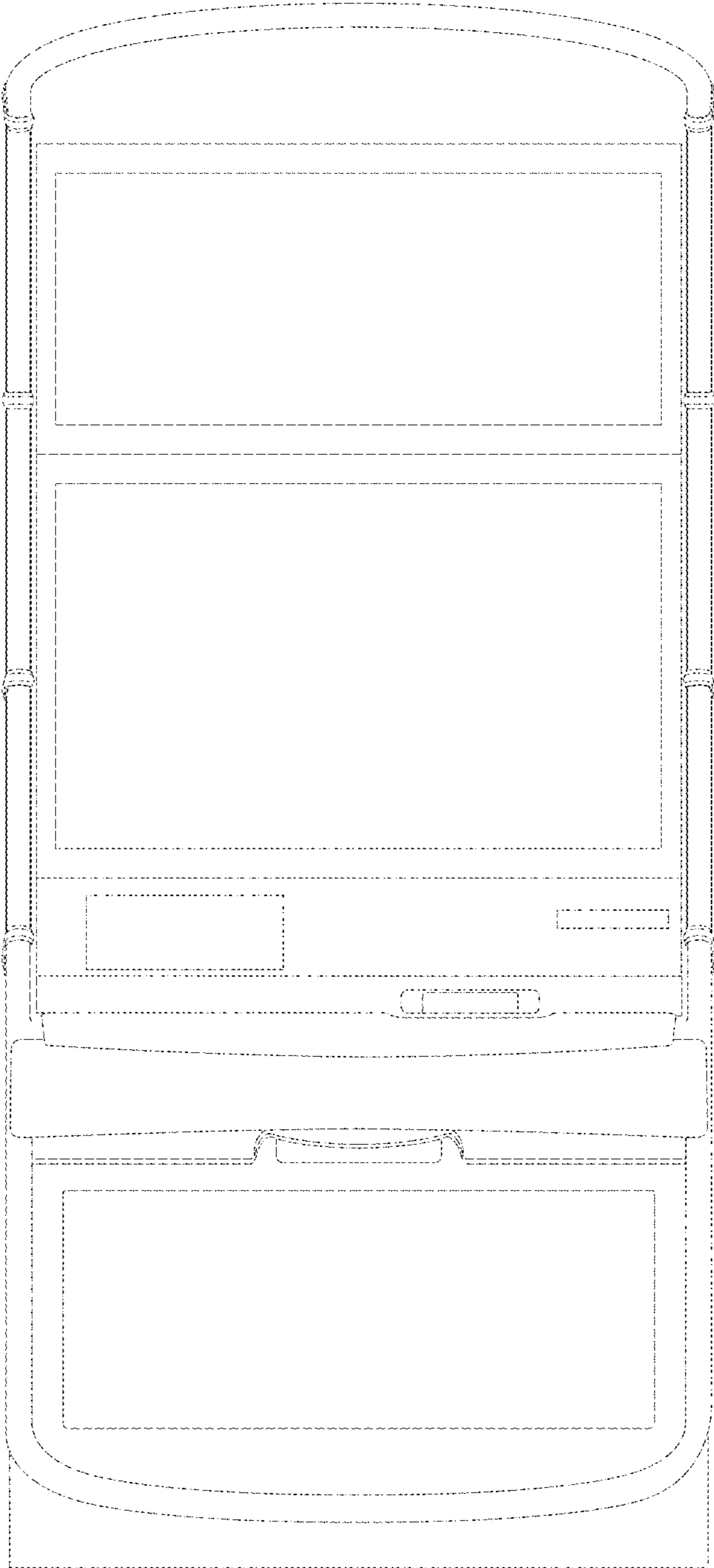
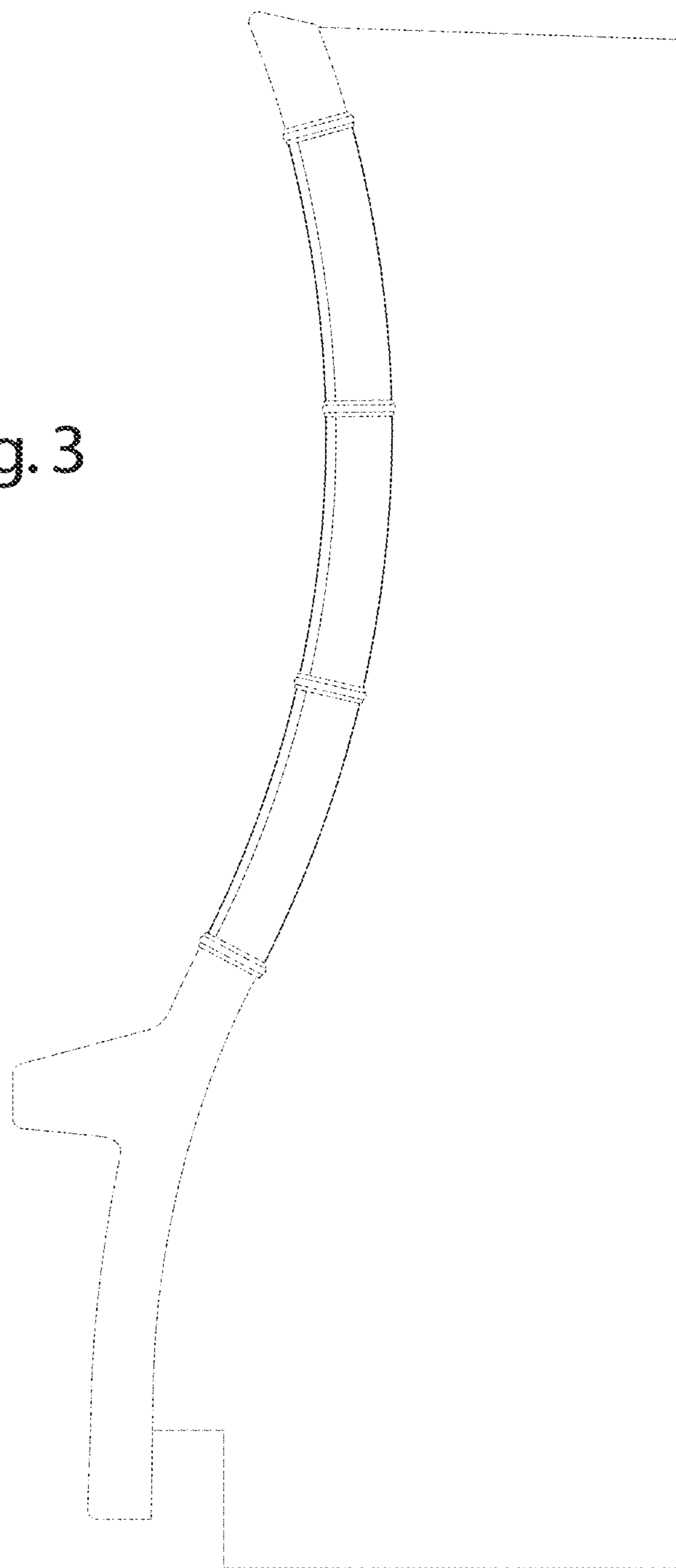


Fig. 2

Fig. 3



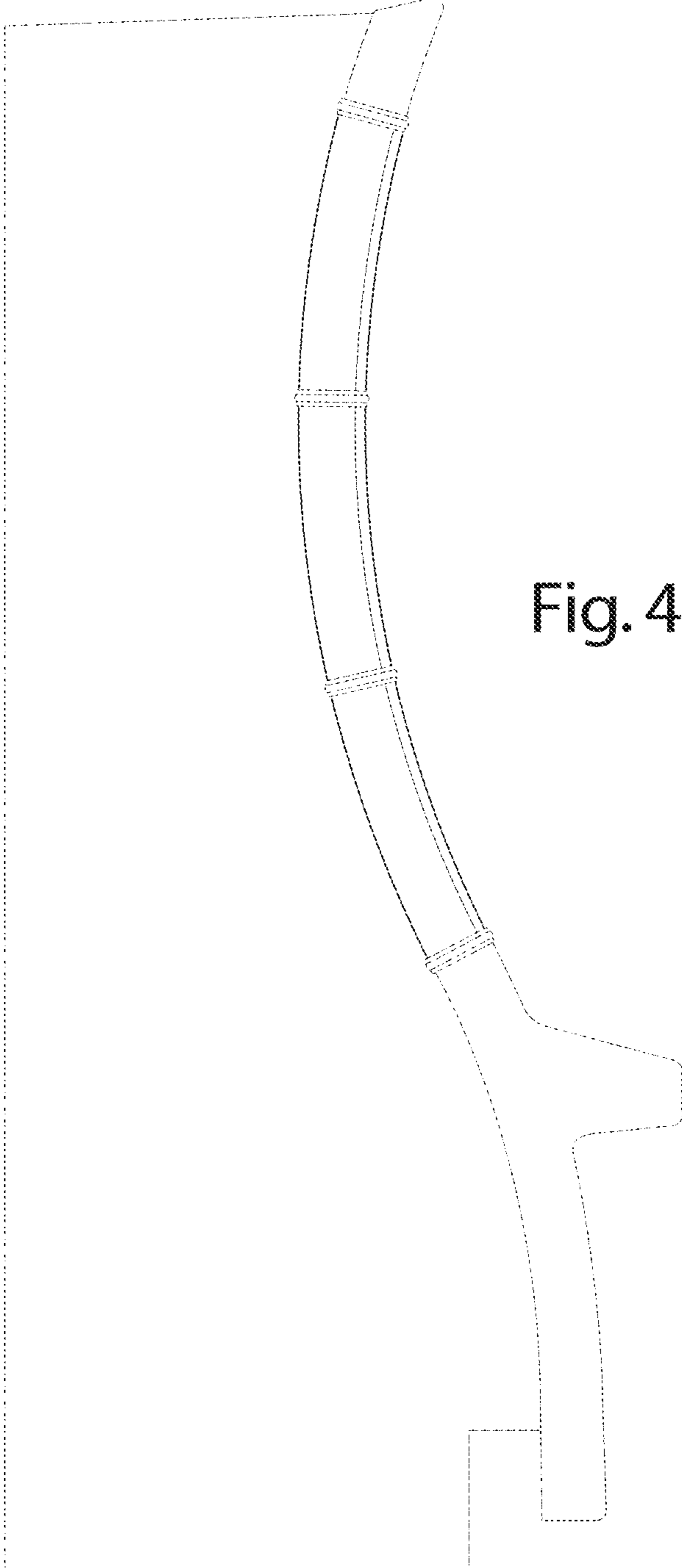


Fig. 4