



US00D684214S

(12) **United States Design Patent**
Dennis et al.

(10) **Patent No.:** **US D684,214 S**

(45) **Date of Patent:** **** Jun. 11, 2013**

(54) **FOAM MUSIC GREETING CARD DESIGN**

(71) Applicant: **American Greetings Corporation,**
Cleveland, OH (US)

(72) Inventors: **Erin Dennis,** Lakewood, OH (US);
Michelle Parkinson, Garfield Heights,
OH (US)

(73) Assignee: **American Greetings Corporation,**
Cleveland, OH (US)

(**) Term: **14 Years**

(21) Appl. No.: **29/437,333**

(22) Filed: **Nov. 15, 2012**

(51) **LOC (9) Cl.** **19-08**

(52) **U.S. Cl.**
USPC **D19/2**

(58) **Field of Classification Search**
USPC D19/1-8, 82, 100; 40/124.01-124.15,
40/582, 540, 443, 442, 902, 672, 617, 599,
40/331, 359, 360, 625, 717, 455, 124.191;
446/147; 362/806, 808; 428/42.1, 203-204,
428/913.3; 283/2-4, 74-75, 91, 103, 105-106;
D20/10, 22, 42, 27, 40; 229/92, 92.1, 92.8,
229/300-303; D11/131, 117; 206/449, 308.3;
D21/660

See application file for complete search history.

(56) **References Cited**

U.S. PATENT DOCUMENTS

D319,843	S	*	9/1991	Thornell	D19/2
D383,490	S	*	9/1997	Gurrieri	D19/2
D412,935	S	*	8/1999	Finnie	D19/2
D508,260	S	*	8/2005	Toth	D19/2

D658,231	S	*	4/2012	Smith	D19/6
D665,021	S	*	8/2012	Mayer et al.	D19/1
D672,806	S	*	12/2012	Roth et al.	D19/6

* cited by examiner

Primary Examiner — Caron D Veynar

Assistant Examiner — Abraham Bahta

(74) *Attorney, Agent, or Firm* — Christine A. Flanagan

(57) **CLAIM**

The ornamental design for a foam music greeting card, as shown and described.

DESCRIPTION

FIG. 1 is a perspective view of the foam music greeting card of the present invention, in a closed position.

FIG. 2 is a front view of the foam music greeting card of FIG. 1.

FIG. 3 is a rear view of the foam music greeting card of FIG. 1.

FIG. 4 is a top view of the foam music greeting card of FIG. 1.

FIG. 5 is a bottom view of the foam music greeting card of FIG. 1.

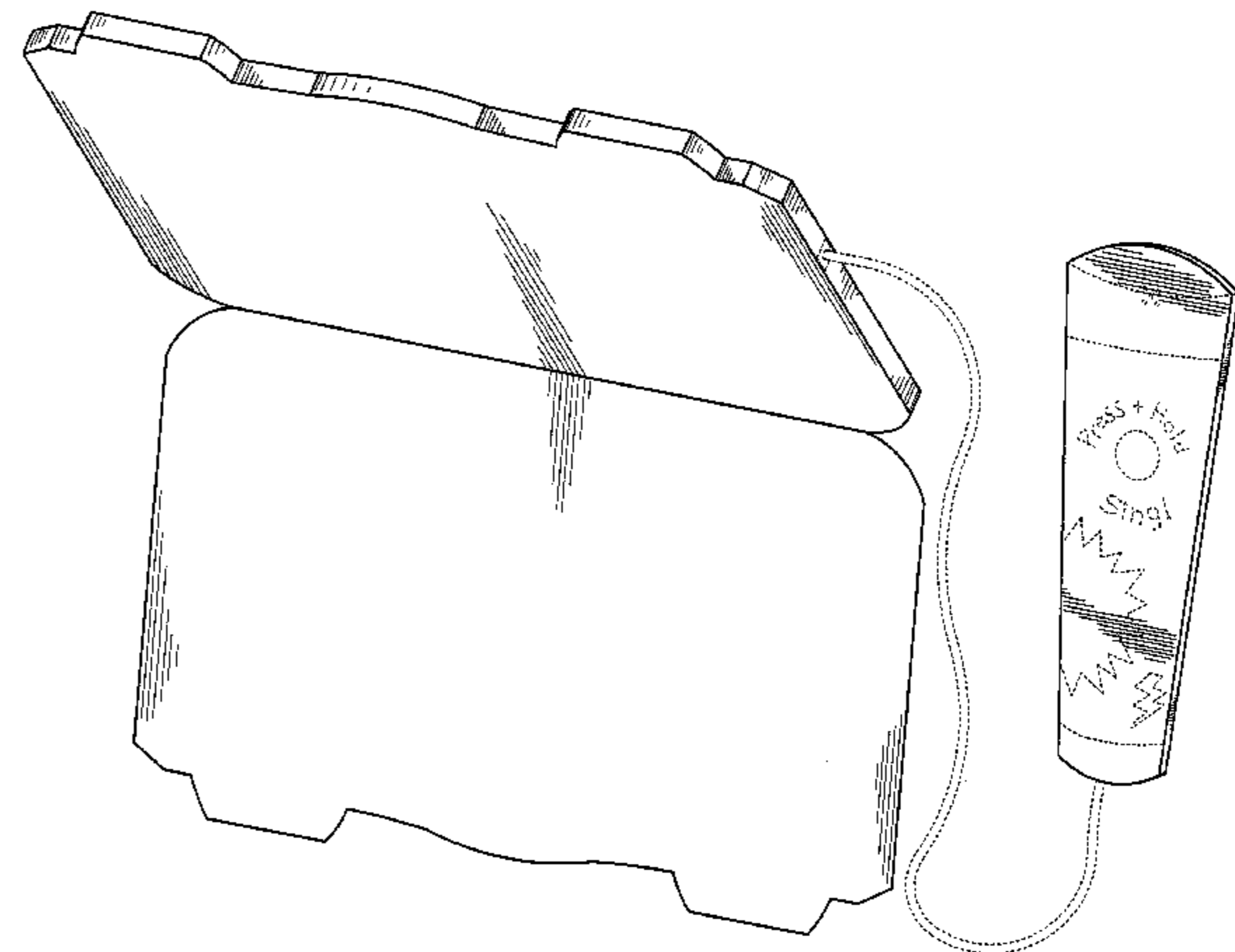
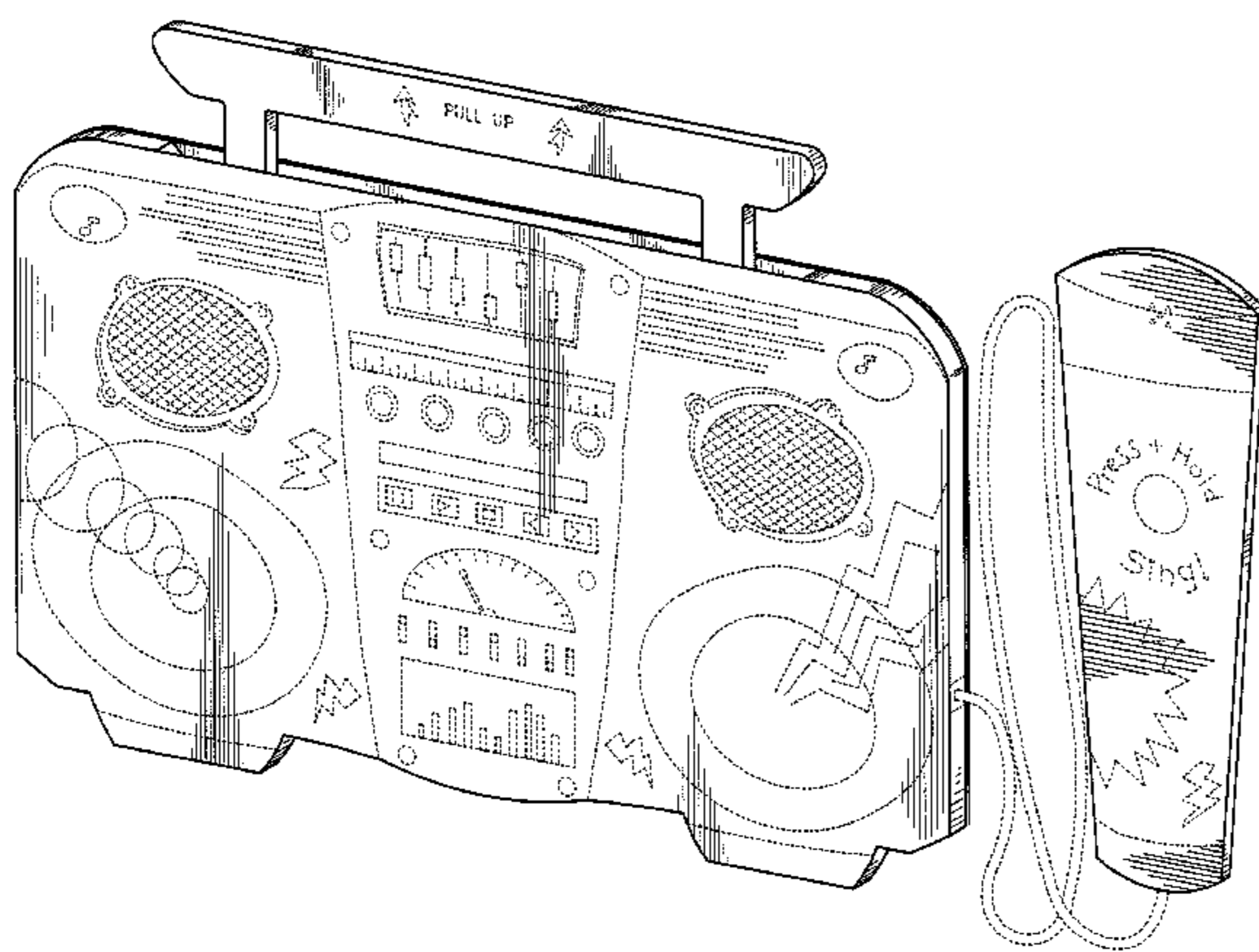
FIG. 6 is a left side view of the foam music greeting card of FIG. 1.

FIG. 7 is a right side view of the foam music greeting card of FIG. 1; and,

FIG. 8 is a perspective view of the foam music greeting card of FIG. 1, in an open position.

The broken line showing of portions of the foam music greeting card is included for the purpose of illustrating environmental structure and forms no part of the claimed design.

1 Claim, 6 Drawing Sheets



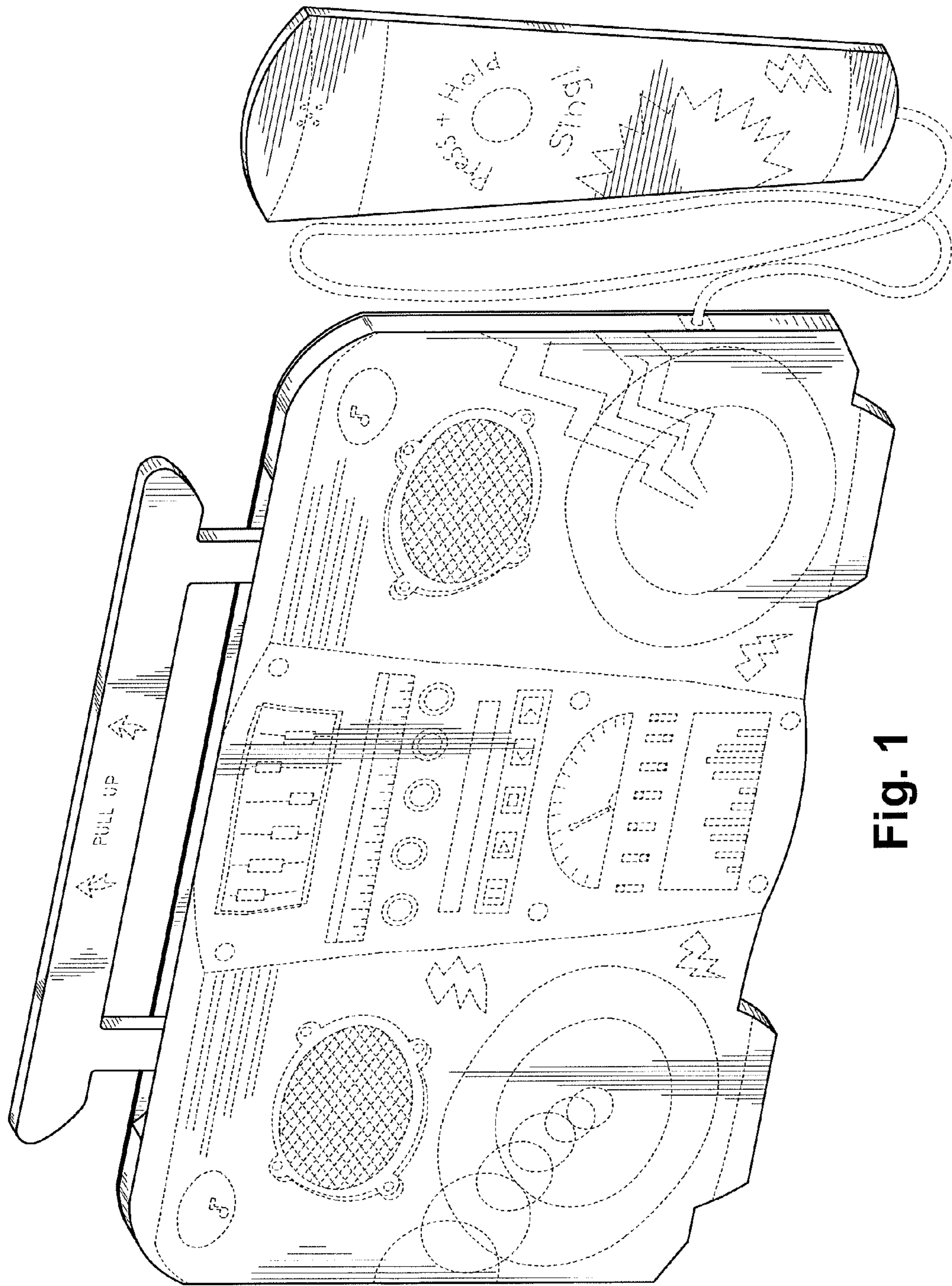


Fig. 1

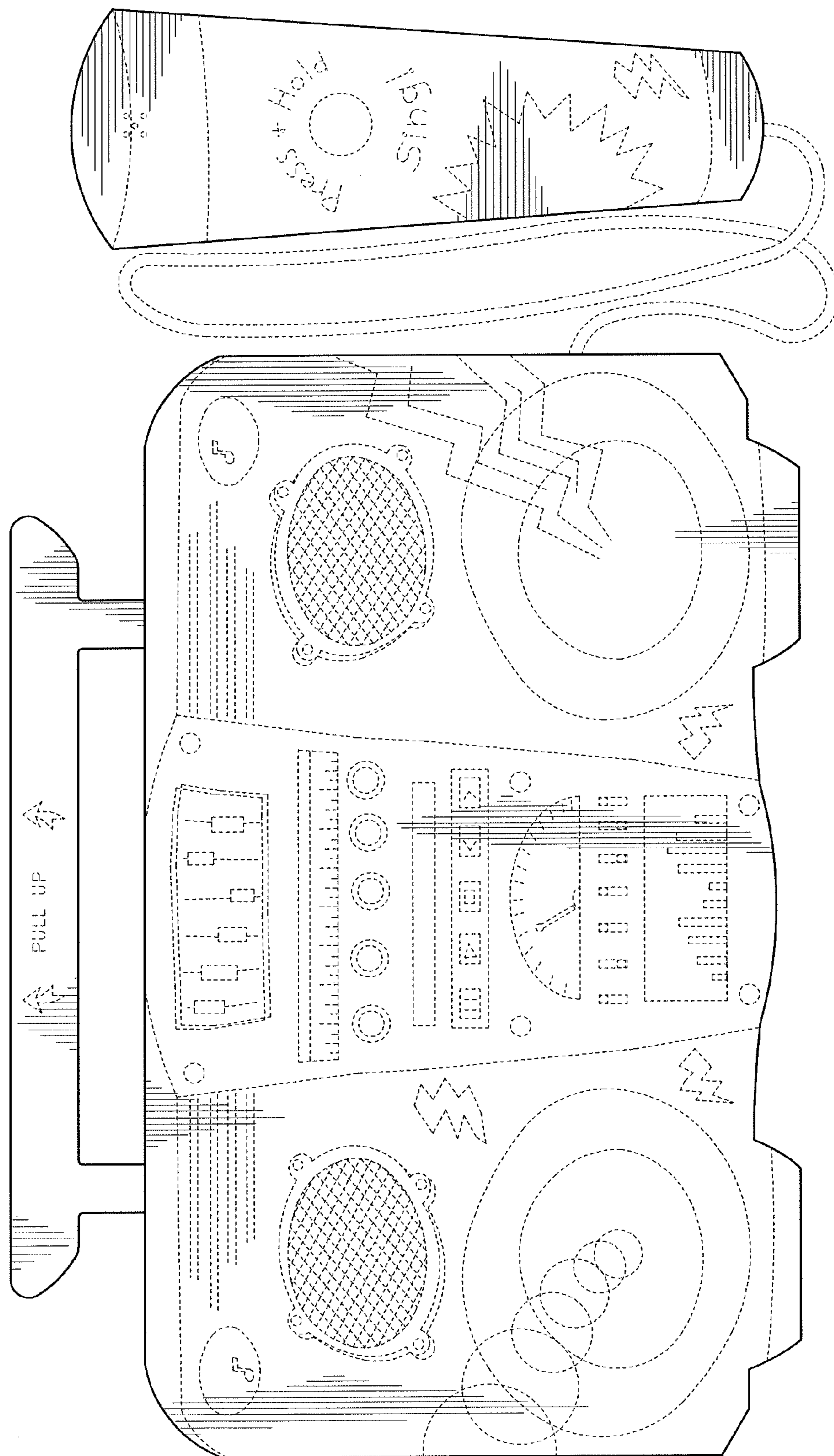


Fig. 2

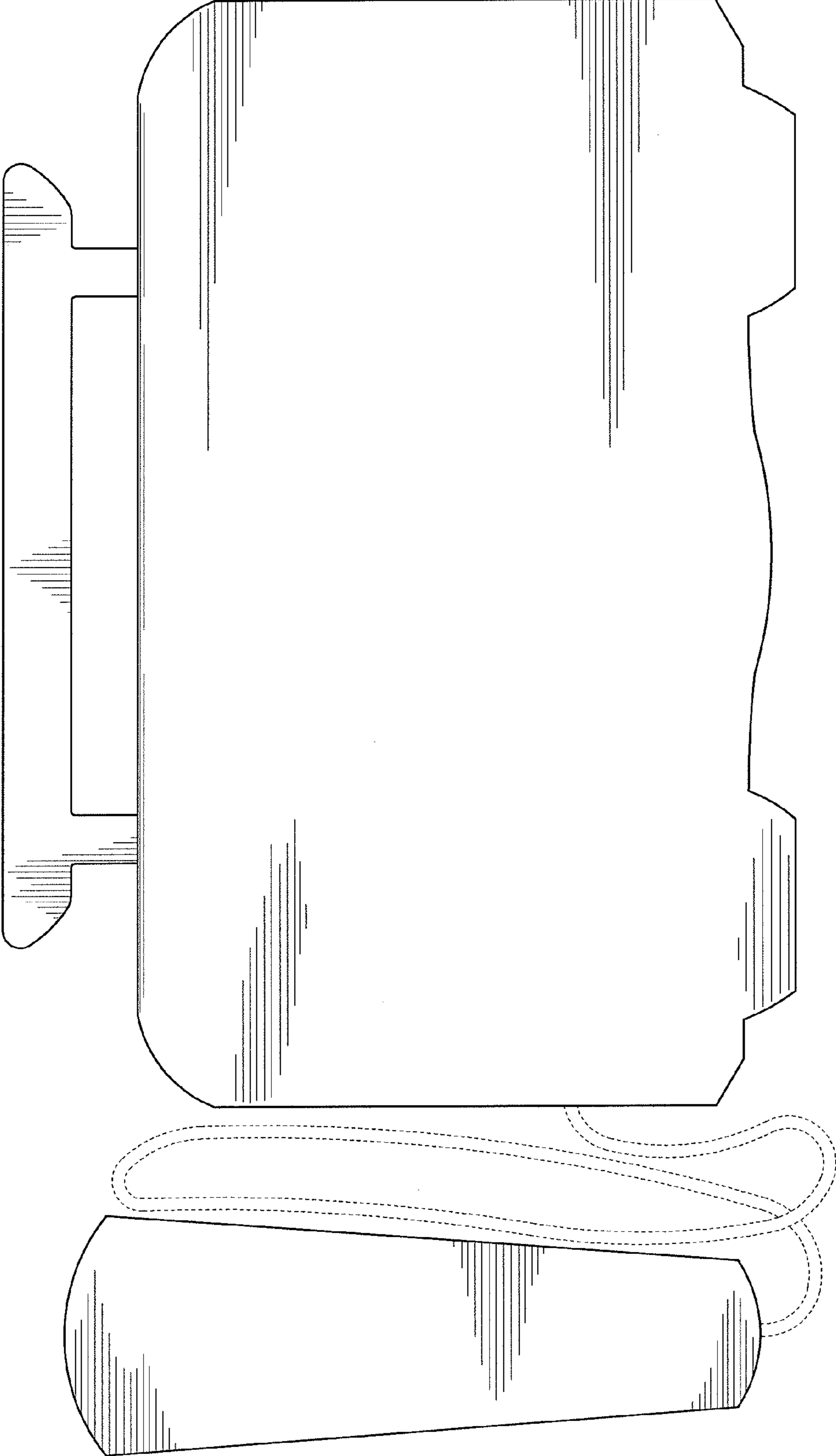


Fig. 3

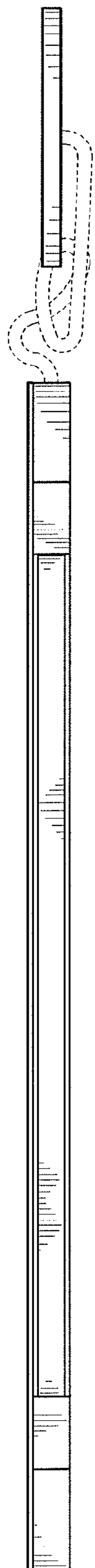


Fig. 4

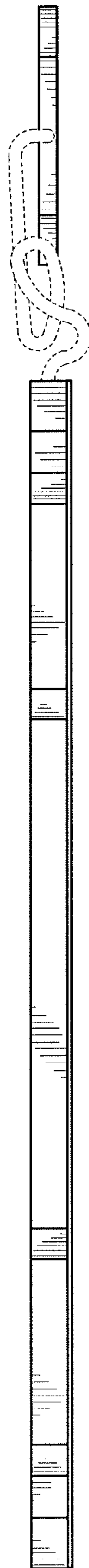


Fig. 5

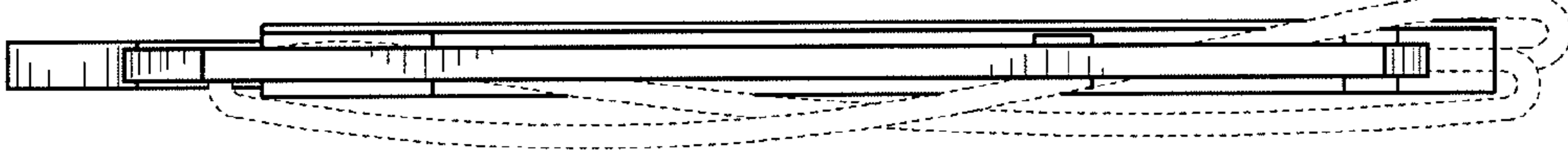


Fig. 7

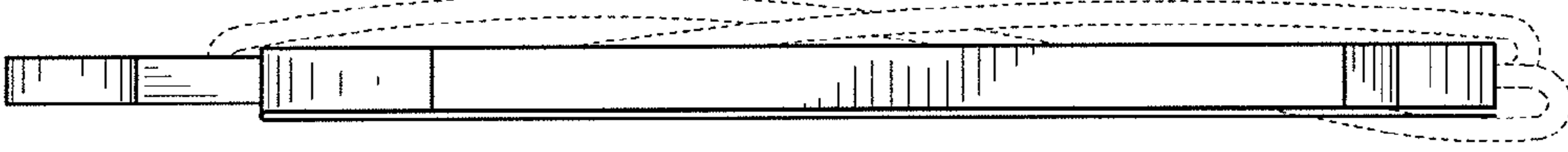


Fig. 6

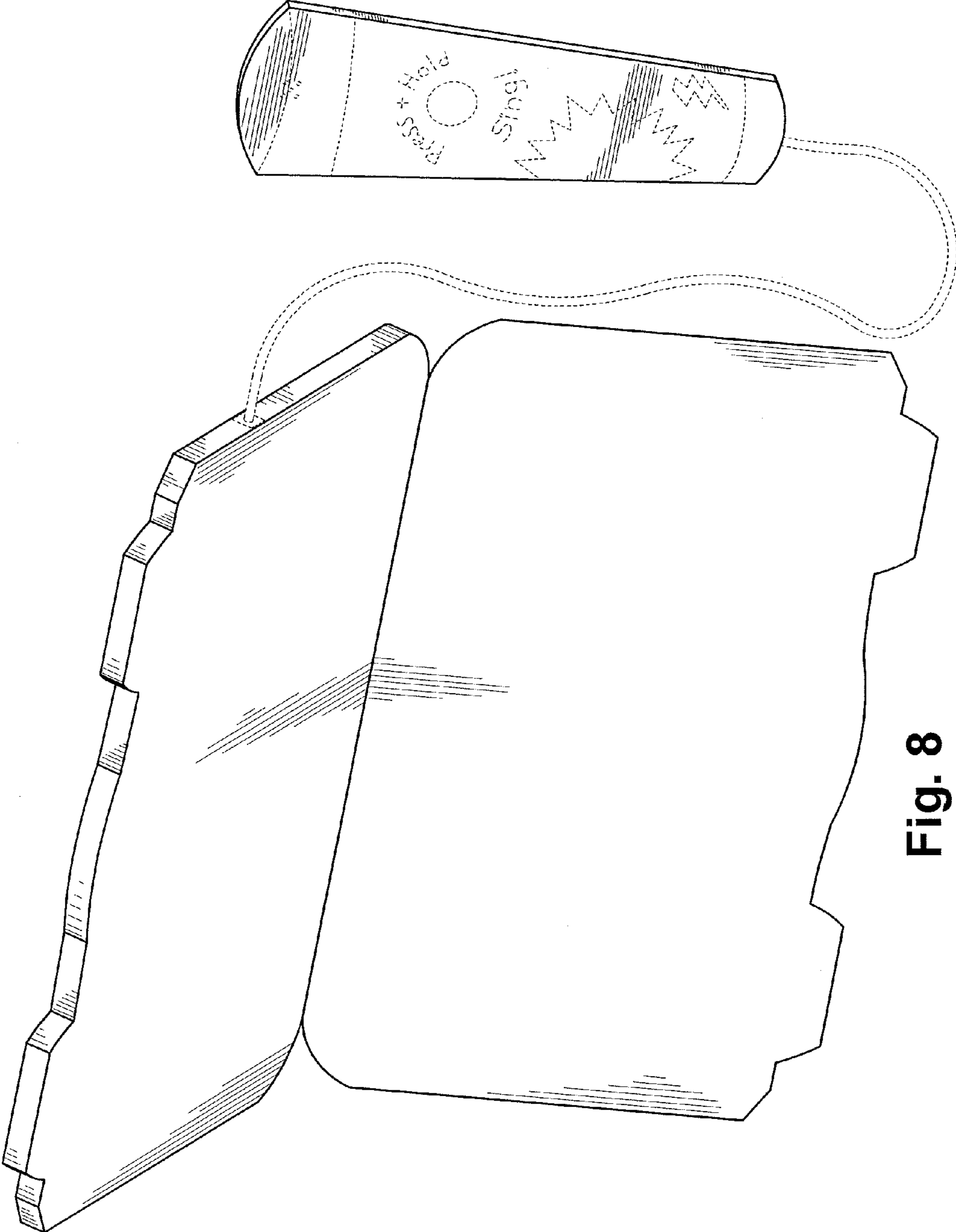


Fig. 8