



US00D684213S

(12) **United States Design Patent**  
**Roth et al.**

(10) **Patent No.:** **US D684,213 S**  
(45) **Date of Patent:** **\*\* Jun. 11, 2013**

- (54) **GREETING CARD MASK-PANDA**
- (71) Applicant: **American Greetings Corporation**,  
Cleveland, OH (US)
- (72) Inventors: **Rob Roth**, Hudson, OH (US); **Annie Deckerd**, Elyria, OH (US)
- (73) Assignee: **American Greetings Corporation**,  
Cleveland, OH (US)
- (\*\*) Term: **14 Years**
- (21) Appl. No.: **29/435,531**
- (22) Filed: **Oct. 25, 2012**
- (51) **LOC (9) Cl.** ..... **19-01**
- (52) **U.S. Cl.**  
USPC ..... **D19/2**
- (58) **Field of Classification Search**  
USPC ..... D19/1-8, 82, 100; 40/124.01-124.15,  
40/582, 540, 443, 442, 902, 672, 617, 599,  
40/331, 359, 360, 625, 717, 455, 124.191;  
446/147; 362/806, 808; 428/42.1, 203-204,  
428/913.3; 283/2-4, 74-75, 91, 103, 105-106;  
D20/10, 22, 42, 27, 40; 229/92, 92.1, 92.8,  
229/300-303; D11/131, 117; 206/449, 308.3;  
D21/660  
See application file for complete search history.

(56) **References Cited**

U.S. PATENT DOCUMENTS

- D245,545 S \* 8/1977 Chou ..... D29/108
- D317,623 S \* 6/1991 Piechocki ..... D19/1
- D387,381 S \* 12/1997 Littmann ..... D19/8
- D403,354 S \* 12/1998 Francis ..... D19/7
- D443,297 S \* 6/2001 Lester et al. .... D19/7
- D523,492 S \* 6/2006 Saruhashi ..... D21/660

- D641,779 S \* 7/2011 McClain et al. .... D19/7
- D642,612 S \* 8/2011 McClain et al. .... D19/7
- D642,613 S \* 8/2011 McClain et al. .... D19/7
- 8,028,453 B2 \* 10/2011 Fornataro ..... 40/745
- 8,230,624 B2 \* 7/2012 Sapp et al. .... 40/124.03
- D672,806 S \* 12/2012 Roth et al. .... D19/6
- 8,393,098 B2 \* 3/2013 Roth et al. .... 40/124.03

\* cited by examiner

*Primary Examiner* — Caron D Veynar

*Assistant Examiner* — Abraham Bahta

(74) *Attorney, Agent, or Firm* — Christine A. Flanagan

(57) **CLAIM**

The ornamental design for a greeting card mask—panda, as shown and described.

**DESCRIPTION**

FIG. 1 is a perspective view of the greeting card mask—panda of the present invention, in a closed position.

FIG. 2 is a perspective view of the greeting card mask—panda of FIG. 1, in an open position.

FIG. 3 is a front view of the greeting card mask—panda of FIG. 1.

FIG. 4 is a rear view of the greeting card mask—panda of FIG. 1.

FIG. 5 is a right side view of the greeting card mask—panda of FIG. 1.

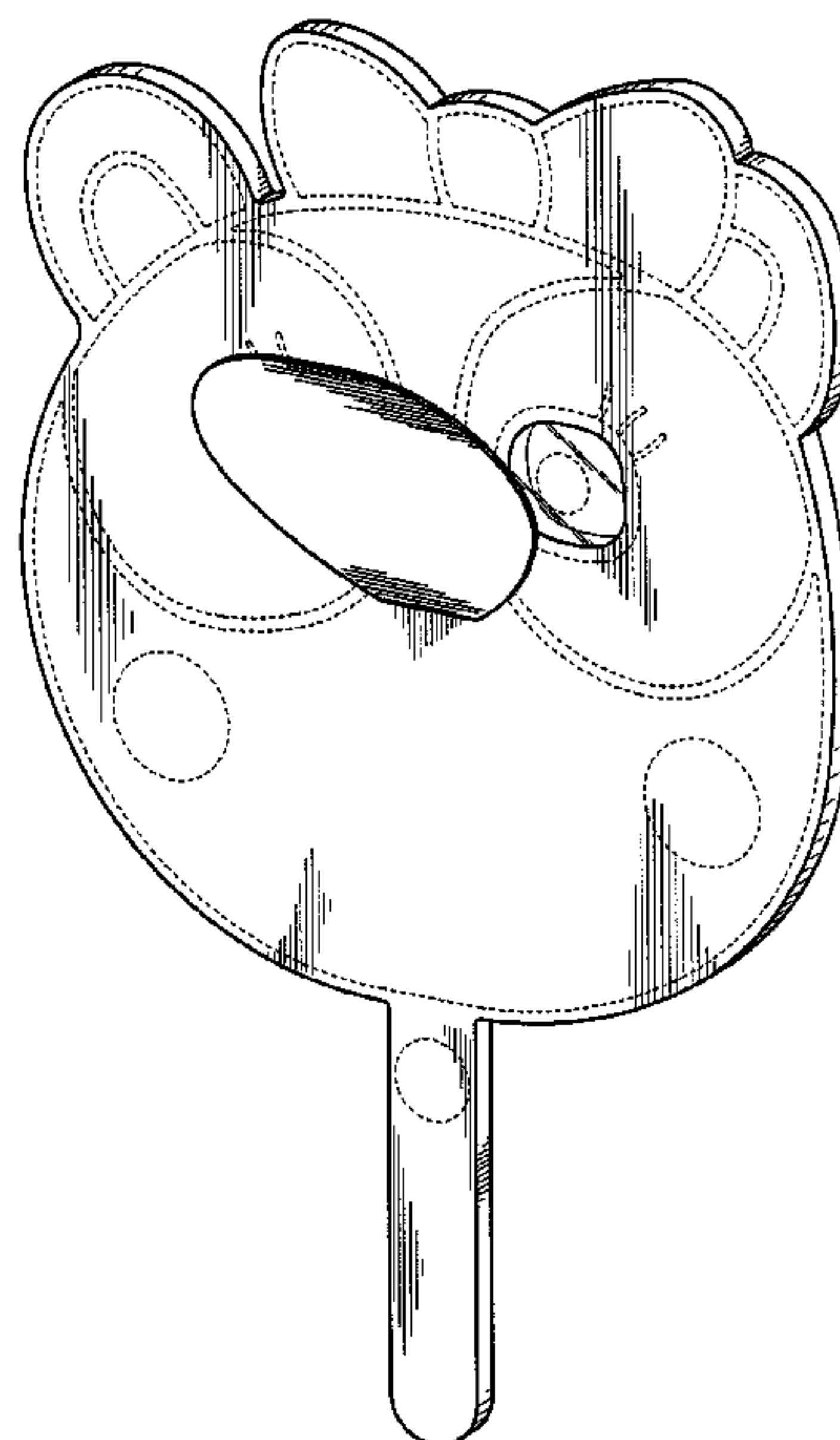
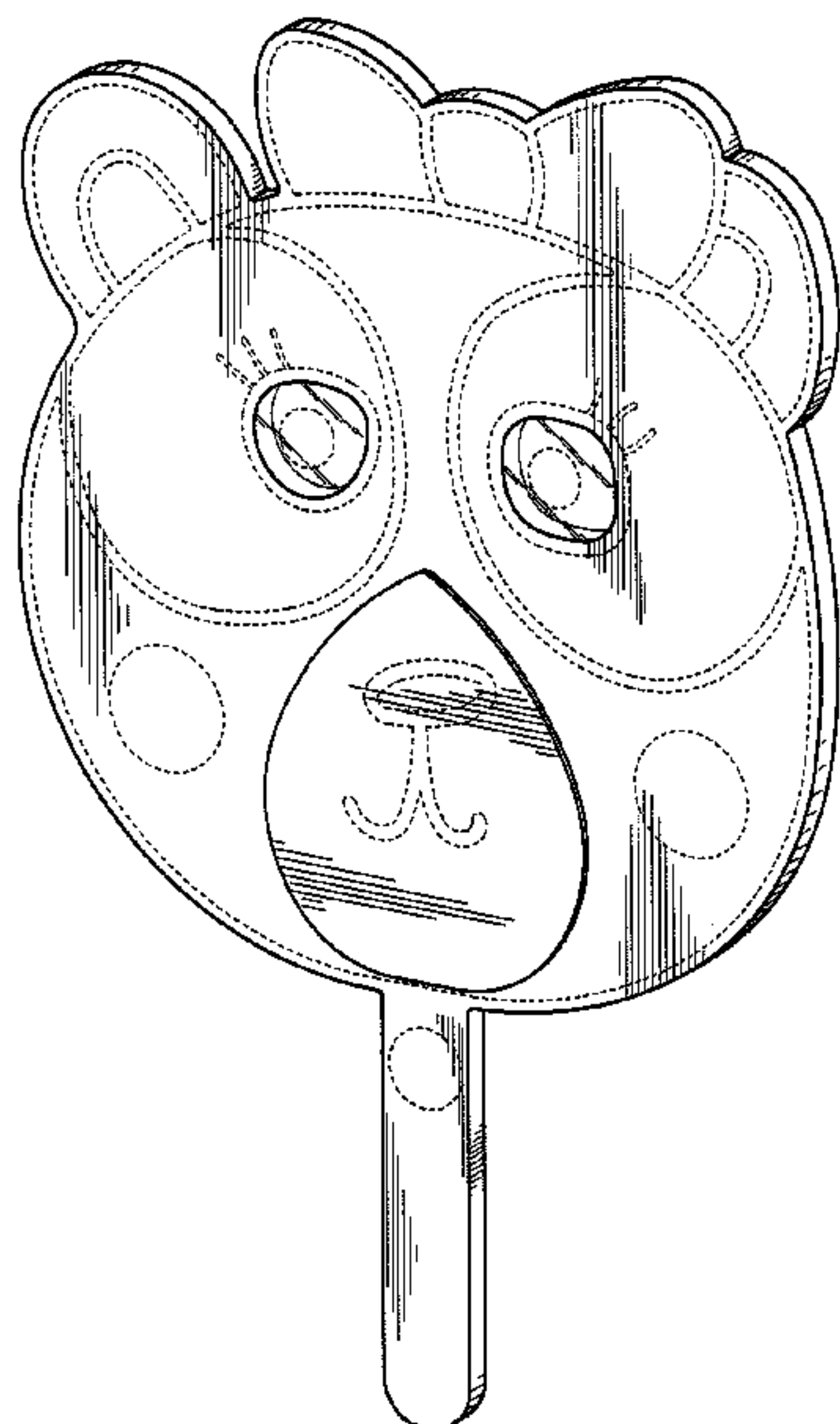
FIG. 6 is a left side view of the greeting card mask—panda of FIG. 1.

FIG. 7 is a bottom view of the greeting card mask—panda of FIG. 1; and,

FIG. 8 is a top view of the greeting card mask—panda of FIG. 1.

The broken line showing of portions of the greeting card mask—panda is included for the purpose of illustrating environmental structure and forms no part of the claimed design.

**1 Claim, 3 Drawing Sheets**



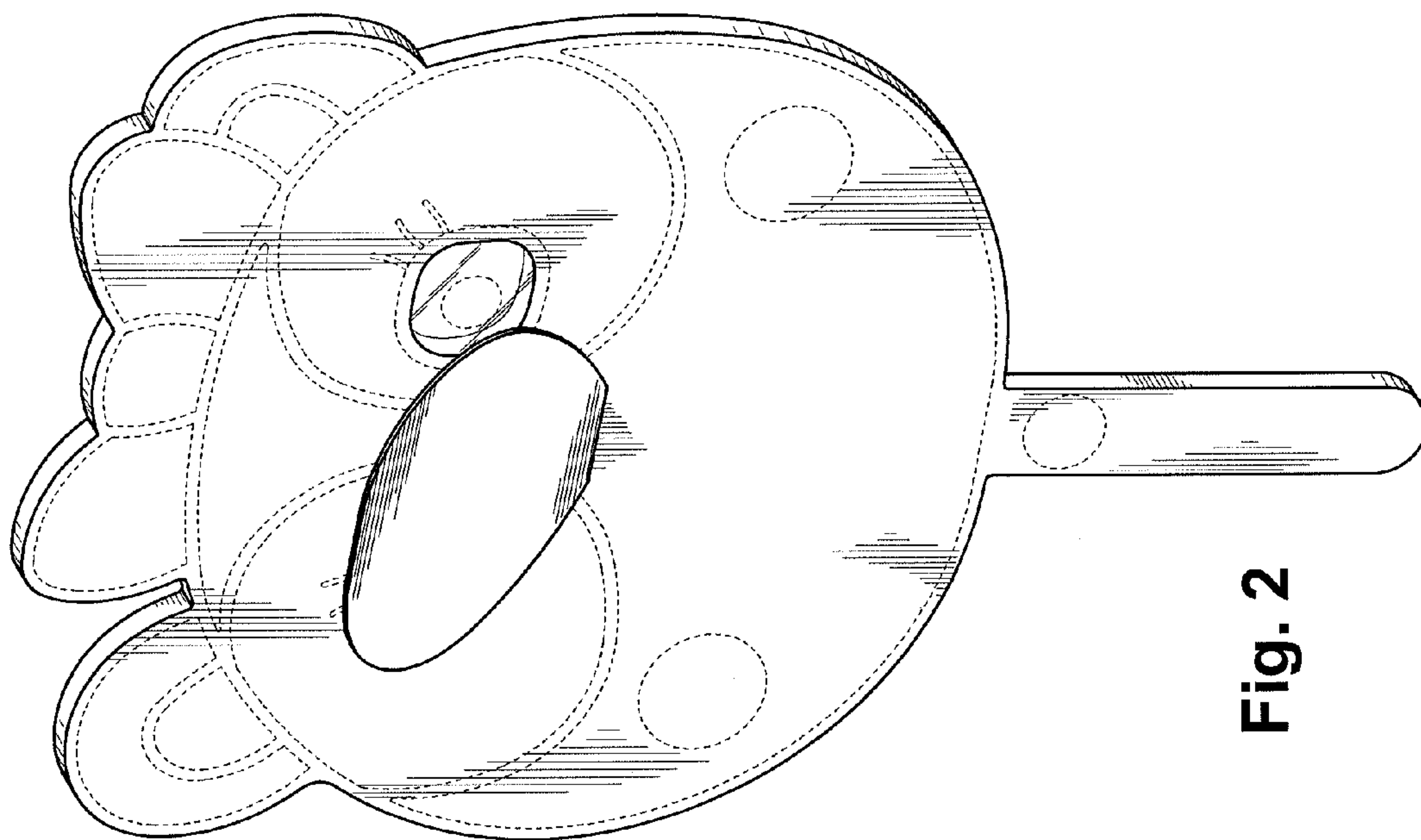


Fig. 2

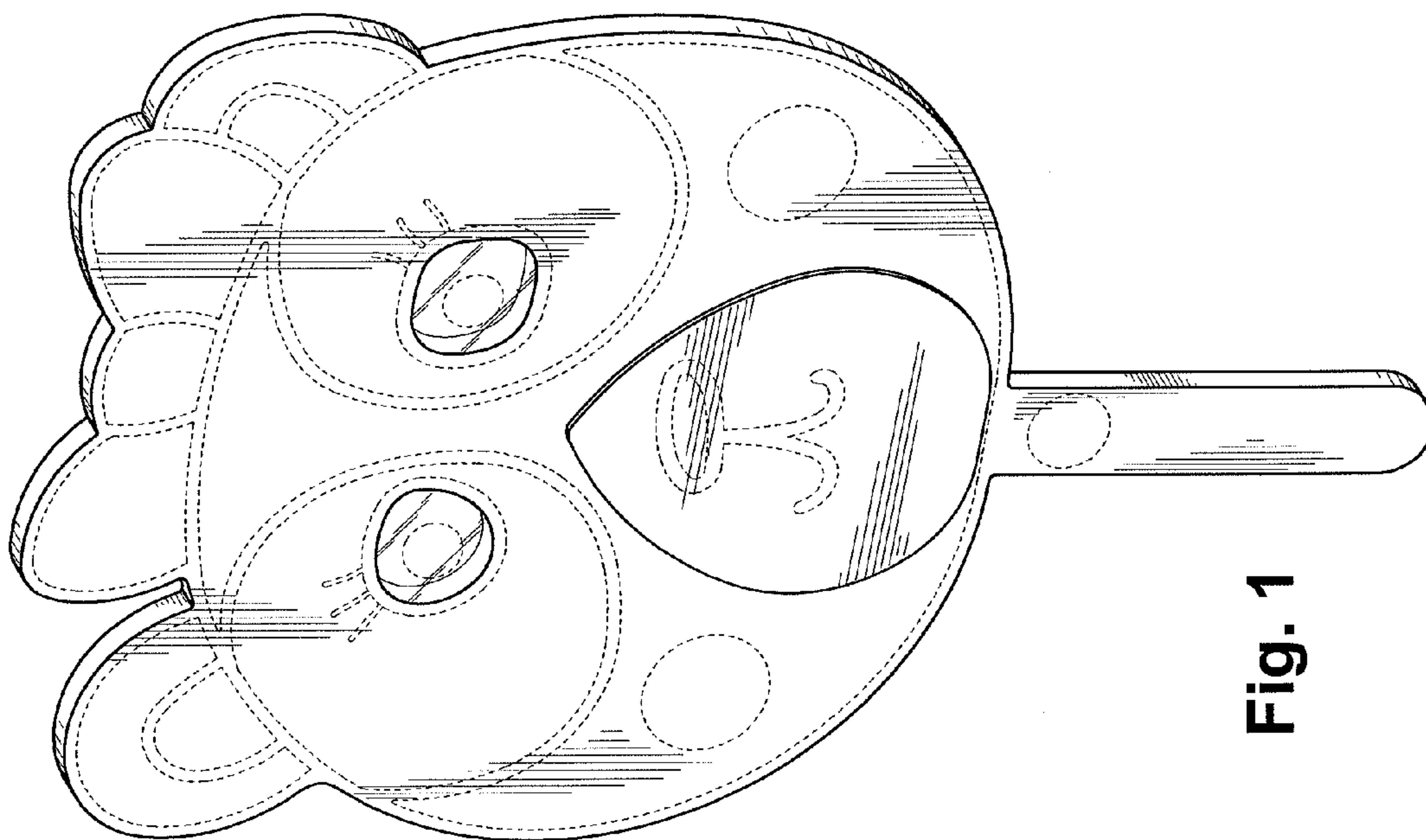


Fig. 1

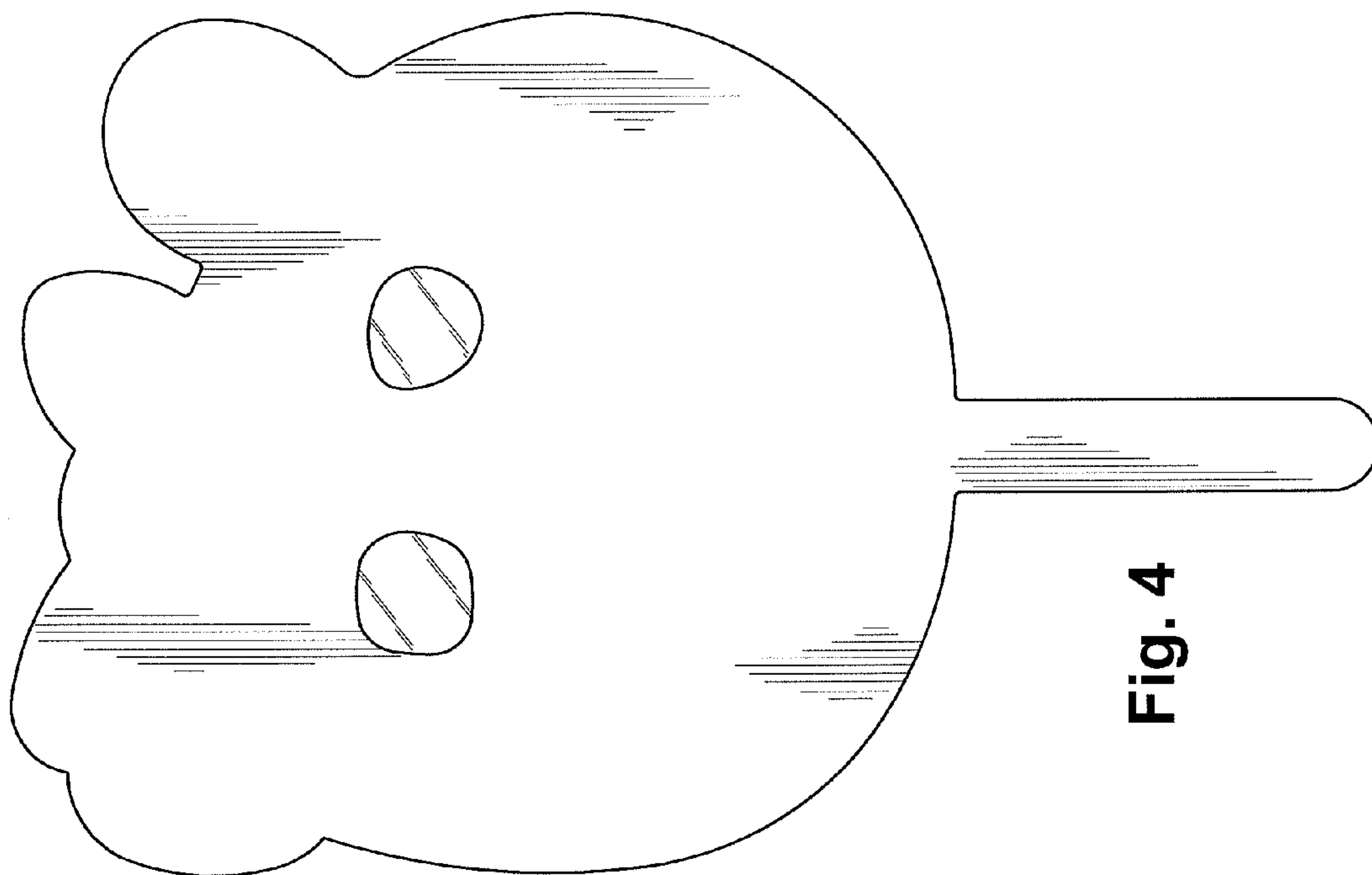


Fig. 4

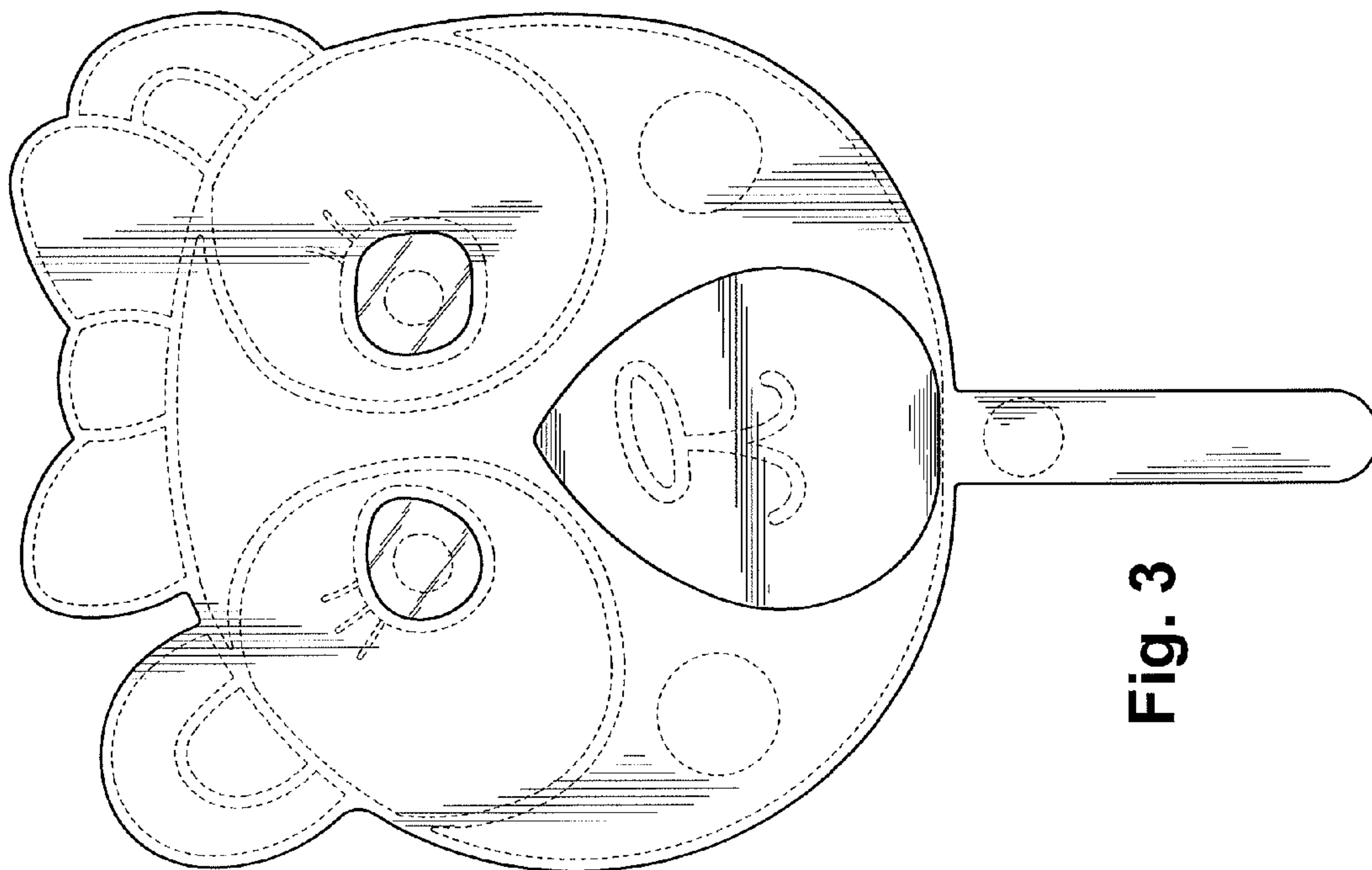


Fig. 3



Fig. 5



Fig. 6



Fig. 7



Fig. 8